



US00D333225S

United States Patent [19]

Robinson

[11] Patent Number: **Des. 333,225**

[45] Date of Patent: **** Feb. 16, 1993**

[54] **MUSIC STORAGE RACK**

[76] Inventor: **Jerry Robinson**, 6060 Crescentville Rd. Apt. WB8, Philadelphia, Pa. 19120

[**] Term: **14 Years**

[21] Appl. No.: **541,355**

[22] Filed: **Jun. 21, 1990**

[52] U.S. Cl. **D6/407; D6/450; D6/460; D6/461**

[58] Field of Search **D6/407, 449-479; D3/35; 206/387; 211/13, 40, 41, 42**

[56] **References Cited**

U.S. PATENT DOCUMENTS

- D. 181,349 11/1957 Ferrill D6/459
- D. 188,639 8/1960 Schwartz D6/459 X
- D. 208,411 8/1967 Dobson D6/461 X

- D. 278,499 4/1985 Shannon D6/407
- D. 308,607 6/1990 Price et al. D6/407
- D. 312,725 12/1990 Schubert D3/35
- D. 327,996 7/1992 Warfield D6/457
- 4,709,815 12/1987 Price .
- 4,741,438 5/1988 Mastronardt .
- 4,781,292 11/1988 Sacherman .

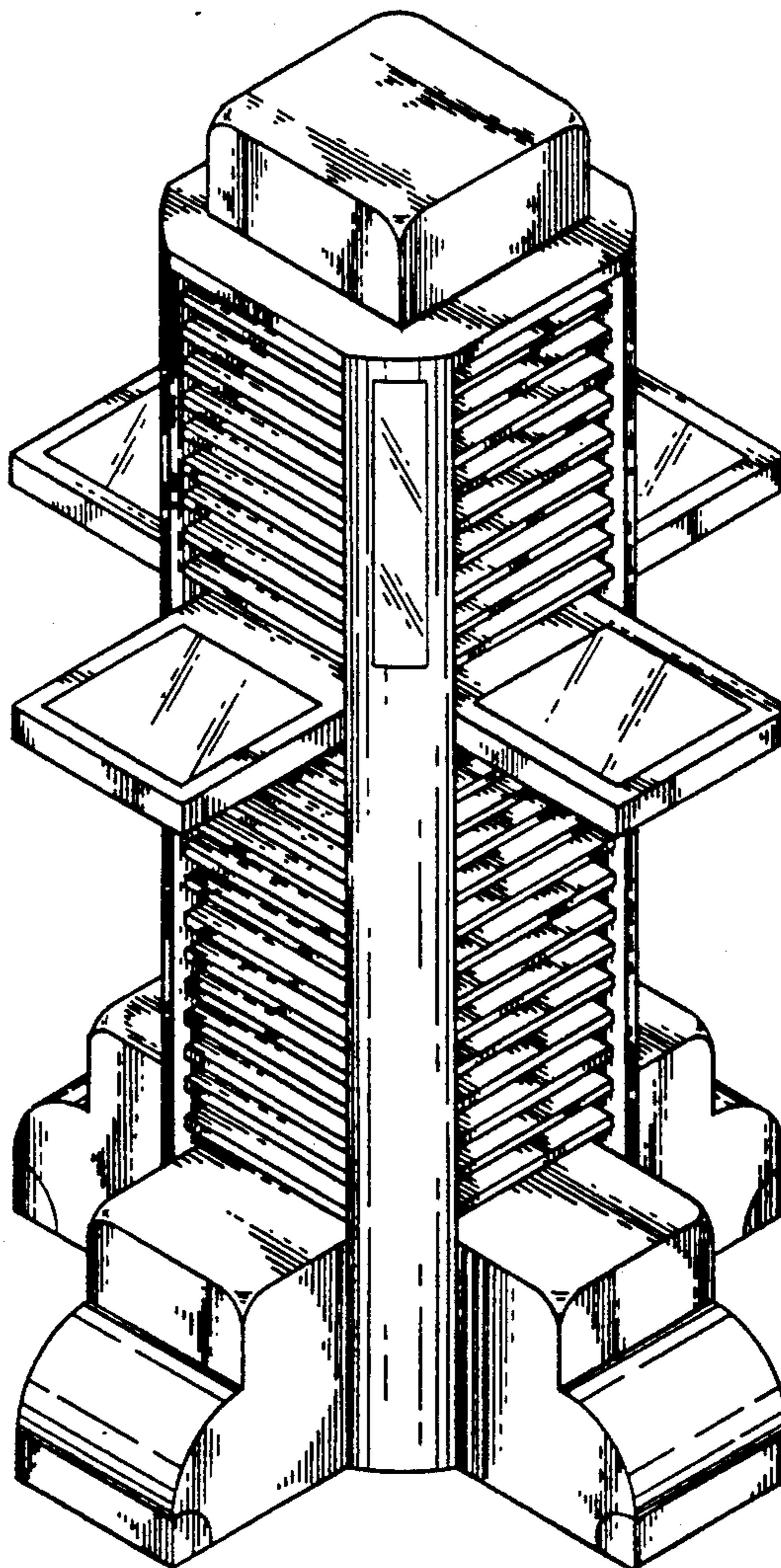
Primary Examiner—Carmen H. Vales-Lado
Attorney, Agent, or Firm—Terry M. Gernstein

[57] **CLAIM**

The ornamental design for a music storage rack, as shown and described.

DESCRIPTION

FIG. 1 is a perspective view of a music storage rack showing my design;
FIG. 2 is a typical elevational view, the other sides being identical thereto;
FIG. 3 is a top plan view thereof; and,
FIG. 4 is a bottom plan view thereof.



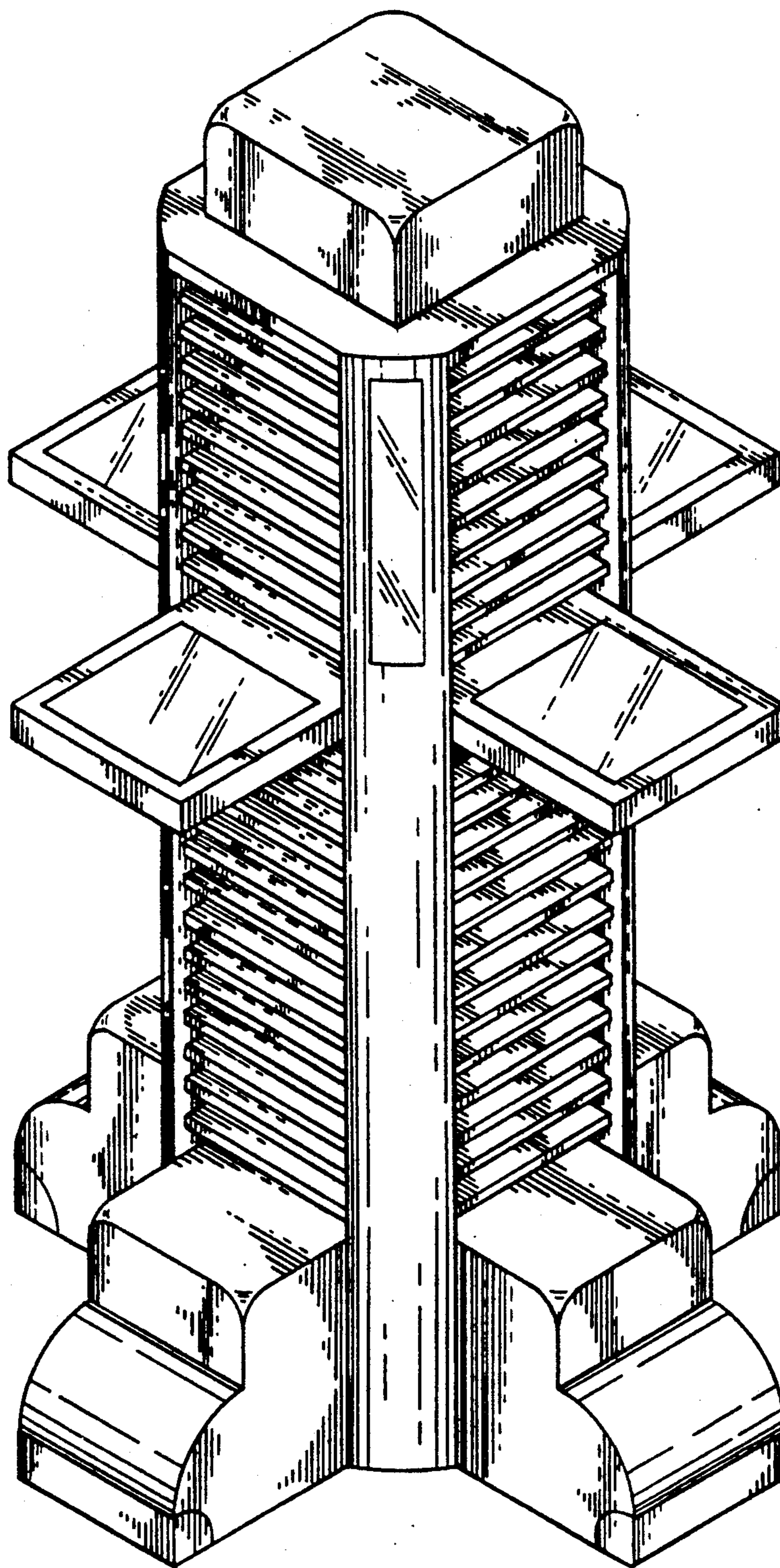


Fig. 1

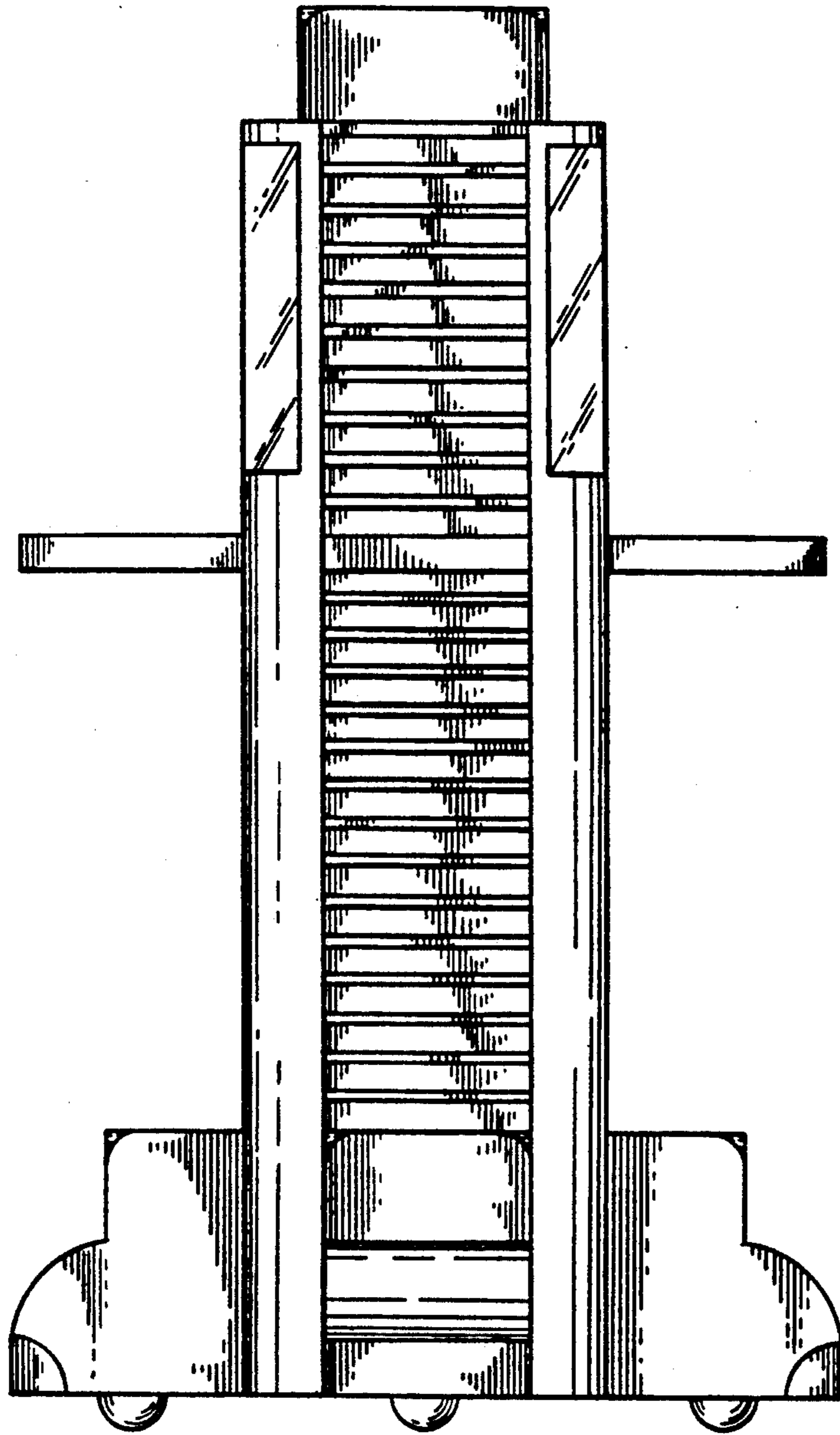


Fig. 2

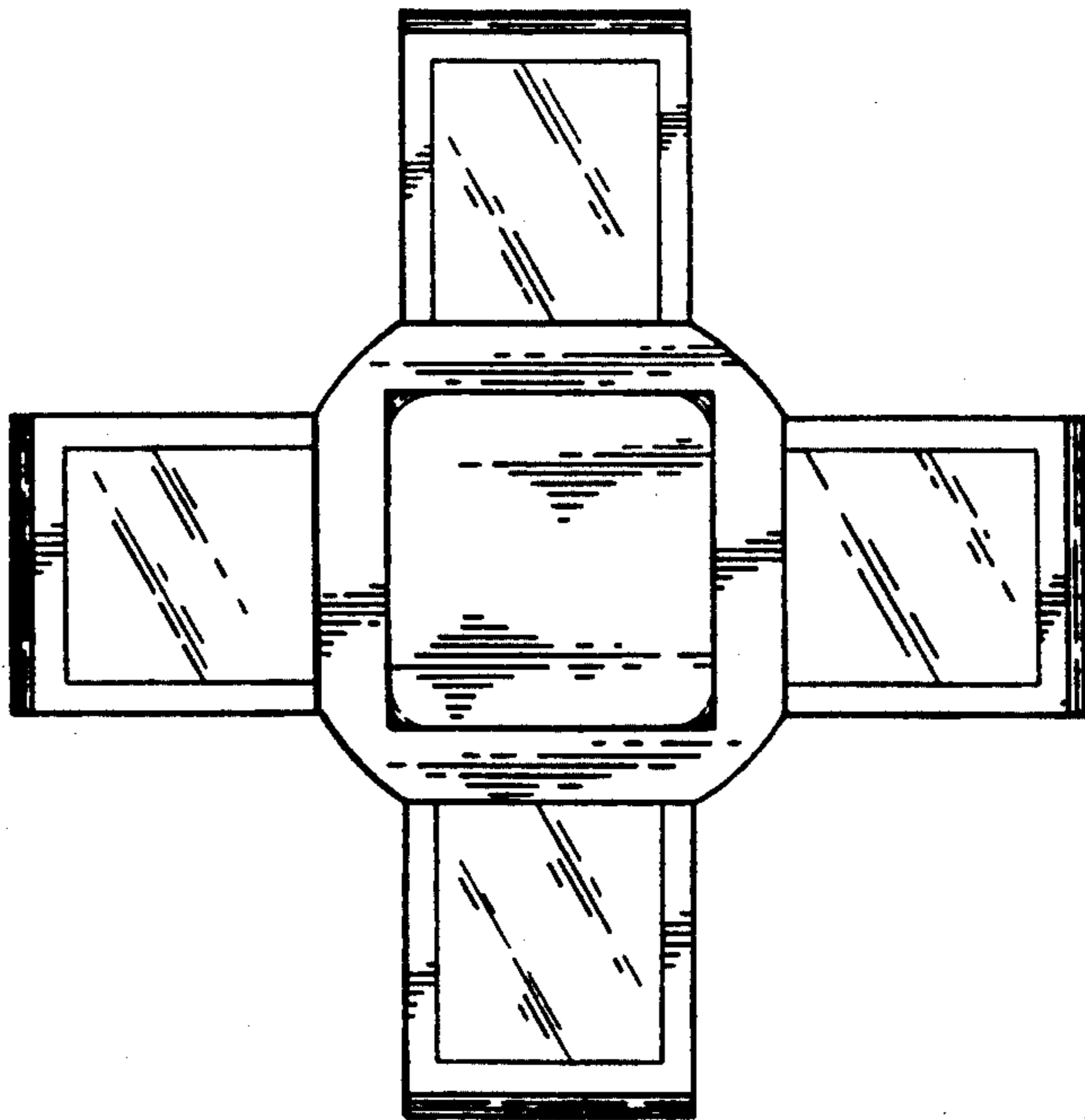


Fig. 3

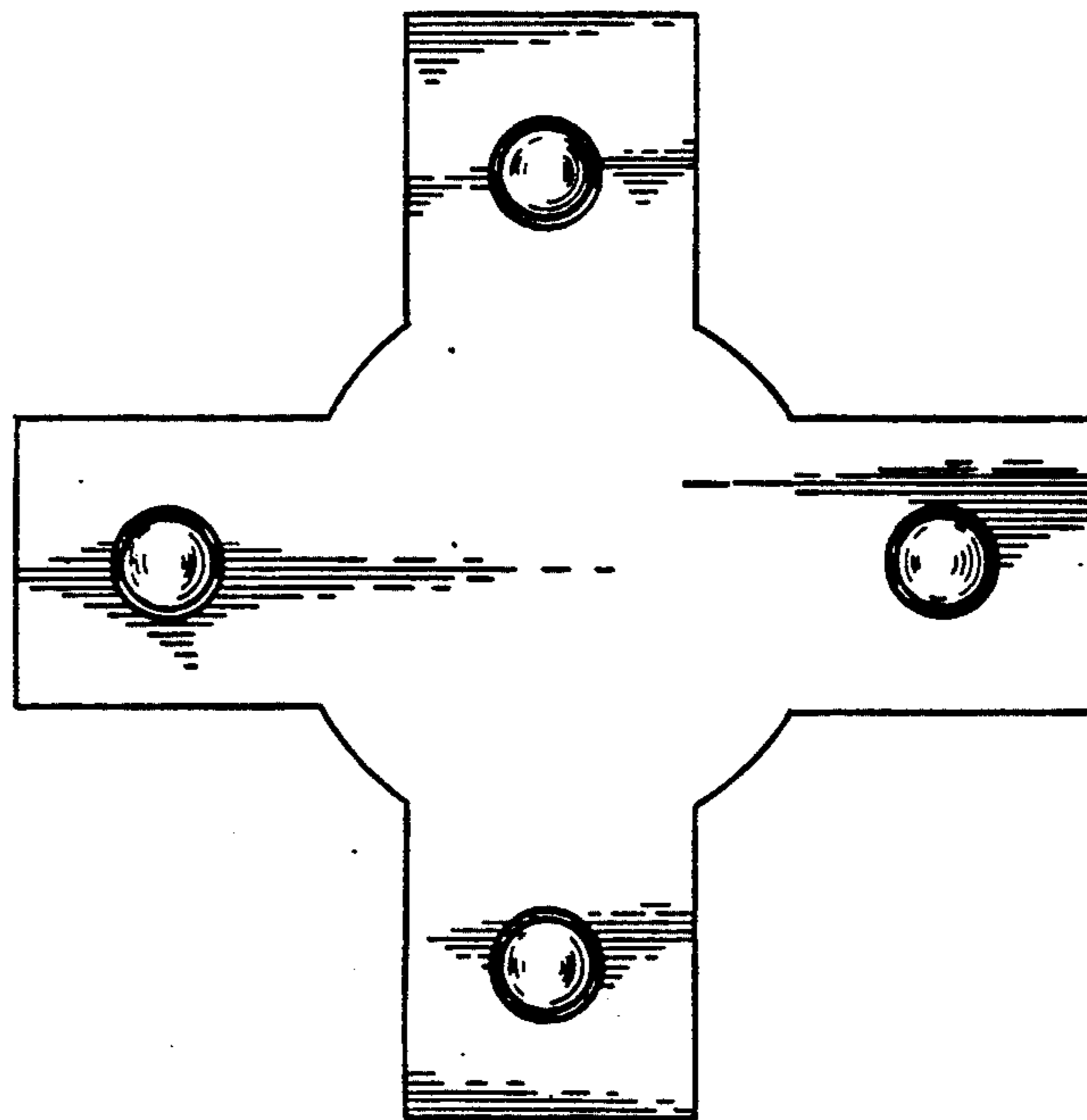


Fig. 4