



US00D333222S

# United States Patent [19]

[11] Patent Number: Des. 333,222

Ewing

[45] Date of Patent: \*\* Feb. 16, 1993

[54] WALL MOUNTABLE JEWELRY CHEST

4,413,736 11/1983 Nibling .

4,821,883 4/1989 Miller ..... 206/566 X

[76] Inventor: Mabel J. Ewing, 302 N. Main,  
Towanda, Pa. 18848

Primary Examiner—Brian N. Vinson  
Attorney, Agent, or Firm—Terry M. Gernstein

[\*\*] Term: 14 Years

### [57] CLAIM

[21] Appl. No.: 608,893

The ornamental design for a wall mountable jewelry chest, as shown and described.

[22] Filed: Nov. 5, 1990

[52] U.S. Cl. .... D6/561

[58] Field of Search ..... D6/553-559,  
D6/561, 567, 571; 211/13, 60.1, 70.6, 86-87, 89;  
312/114, 234, 245, 249; 206/566

### DESCRIPTION

### [56] References Cited

#### U.S. PATENT DOCUMENTS

- D. 319,749 9/1991 McPherson ..... D6/567 X
- 3,718,260 2/1973 Sharpe ..... 211/13
- 4,209,212 6/1980 McGoldrick .
- 4,304,447 12/1981 Ellwood .

FIG. 1 is a top, front, and right side perspective view of a wall mountable jewelry chest showing my new design;

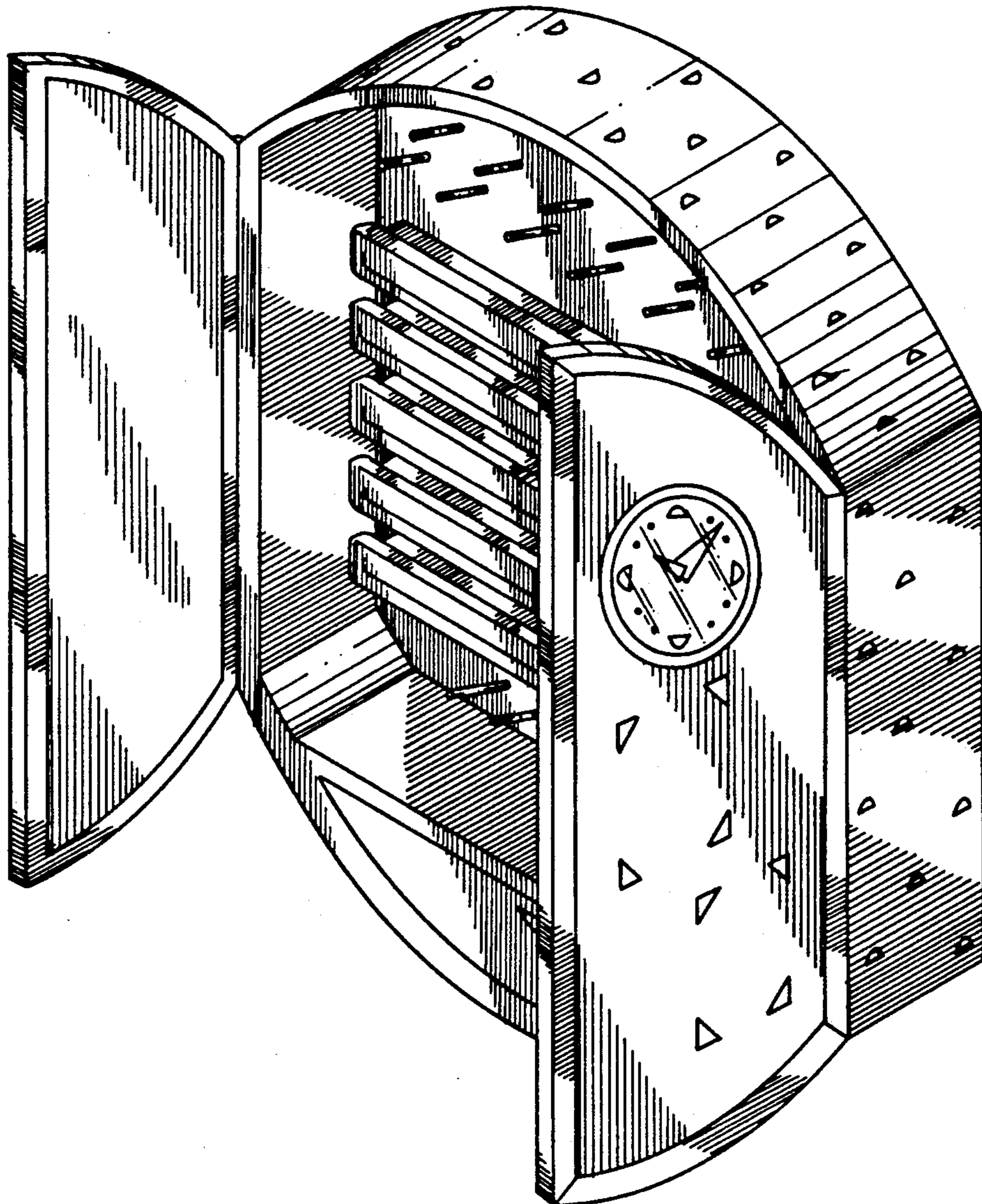
FIG. 2 is a front elevational view thereof;

FIG. 3 is a rear elevational view thereof;

FIG. 4 is a right side elevational view thereof;

FIG. 5 is a left side elevational view thereof; and,

FIG. 6 is a top plan view thereof, the bottom being a mirror image of that shown.



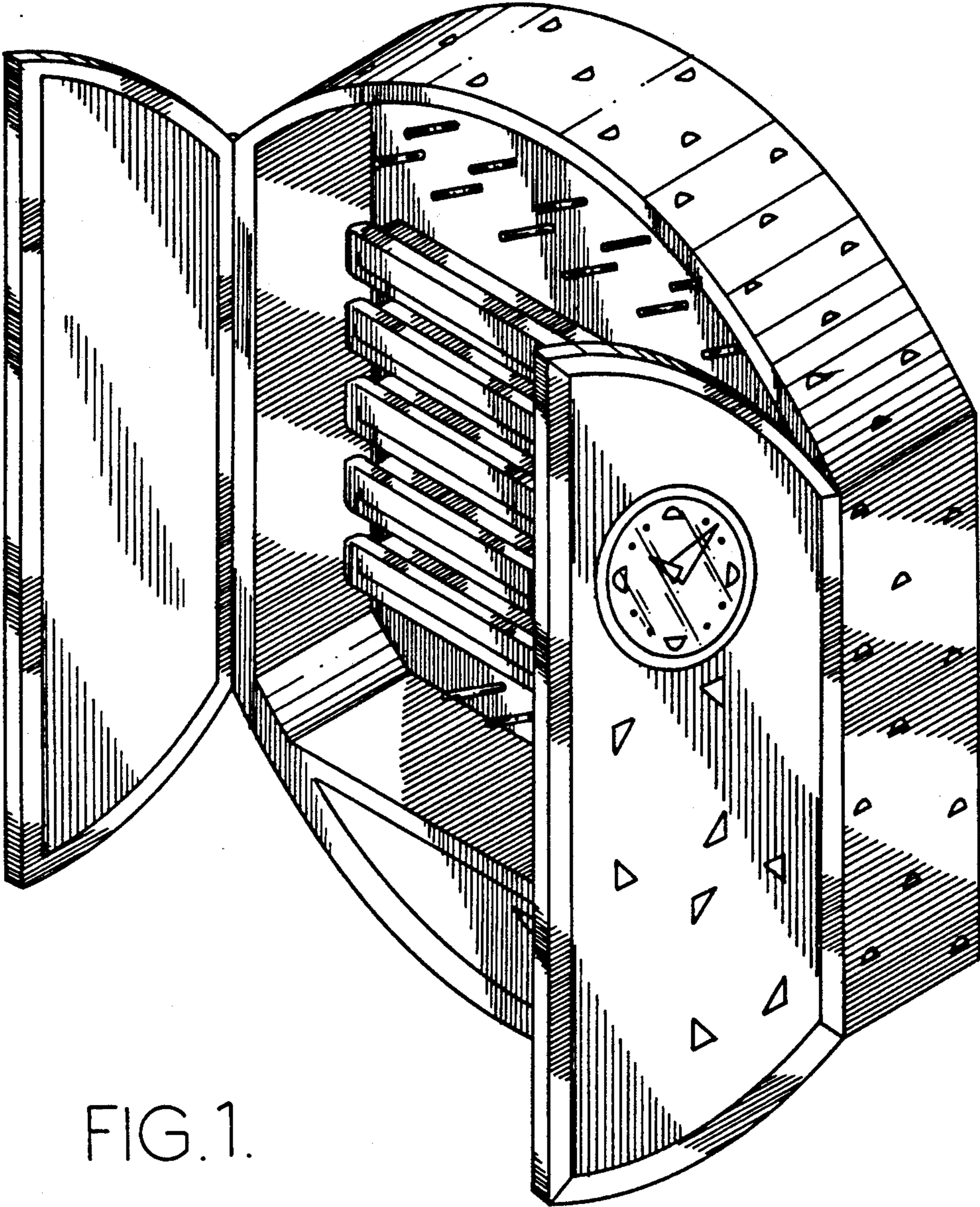


FIG. 1.



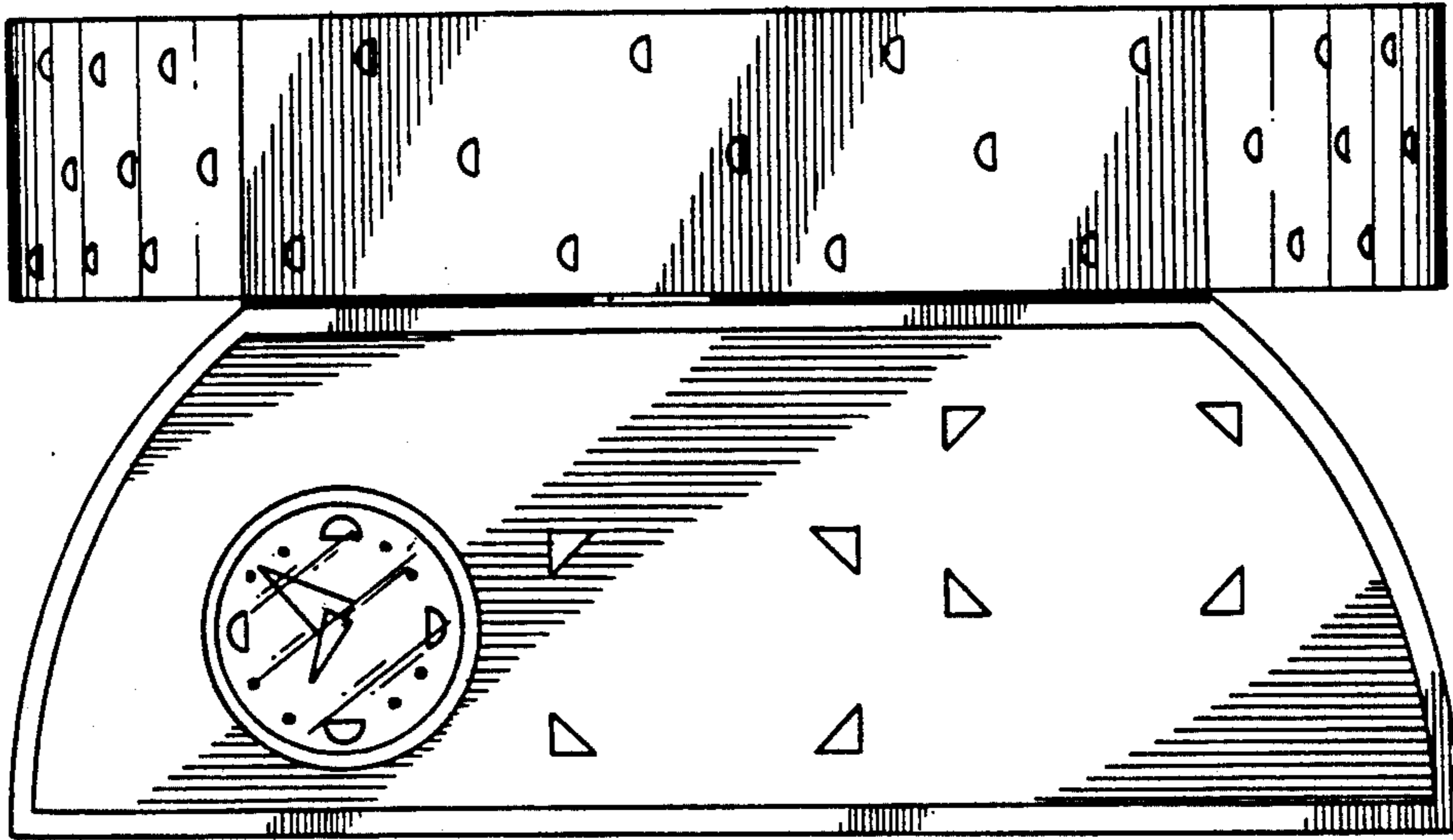


FIG. 4.

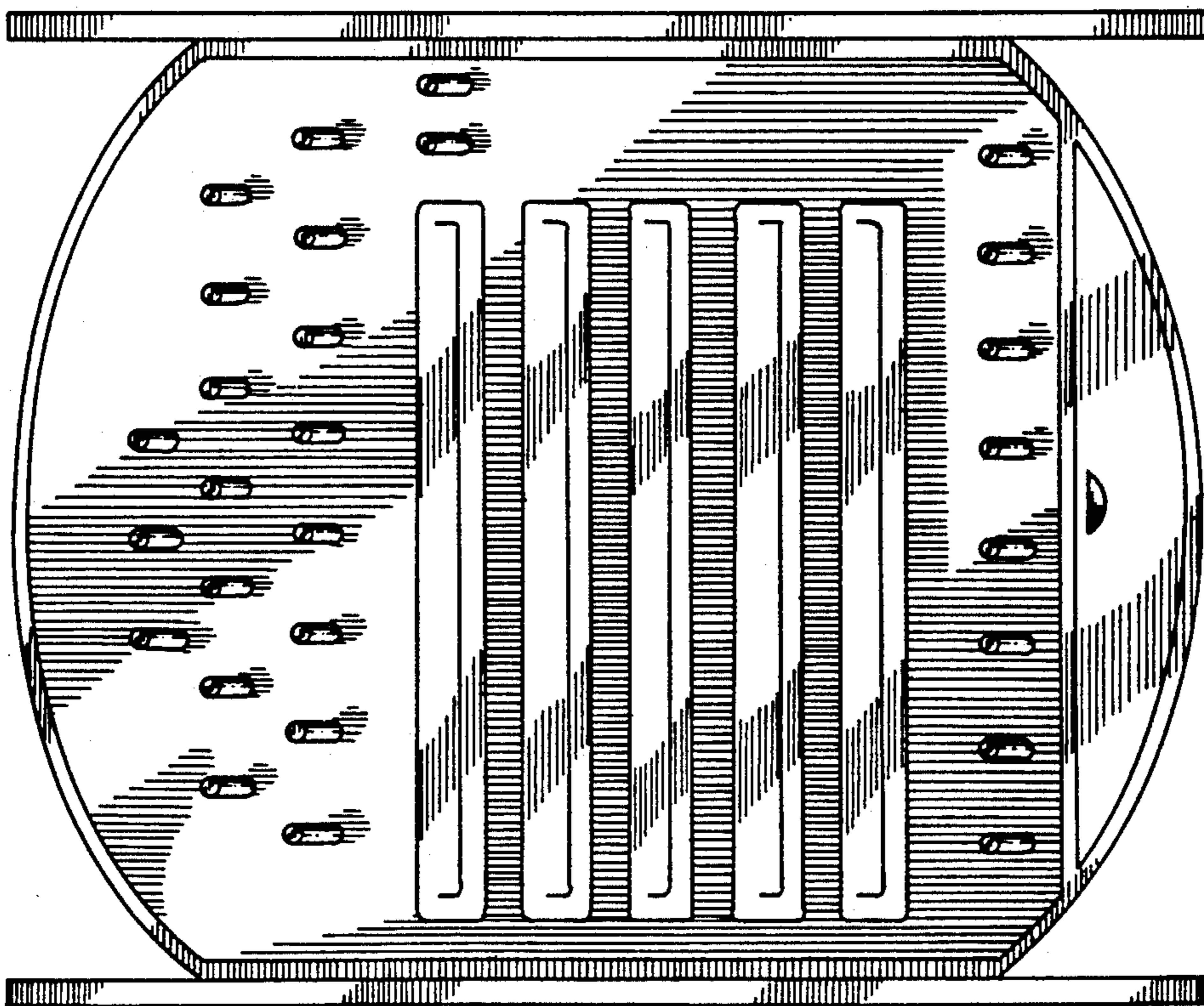


FIG. 2.

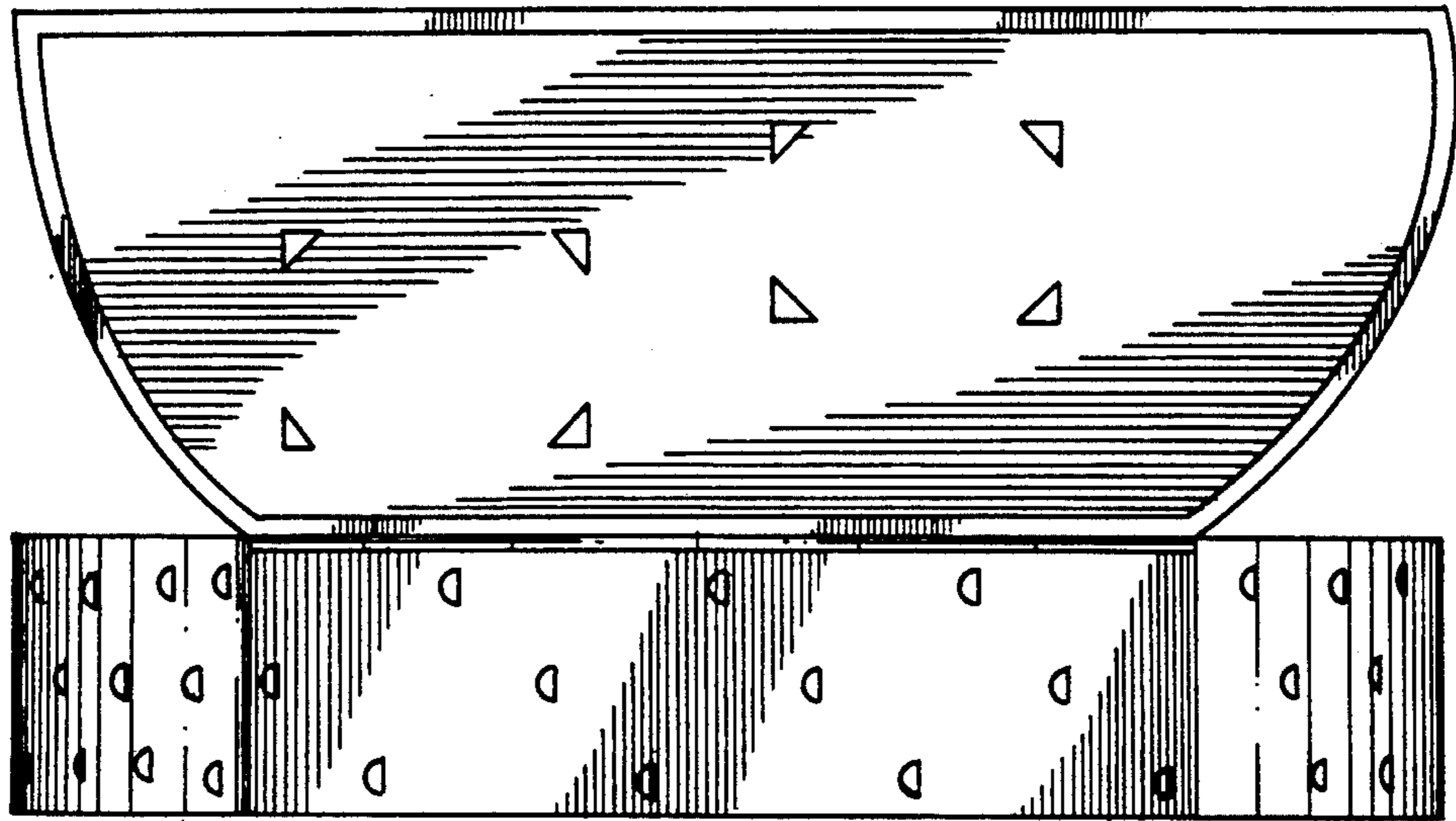


FIG. 5.

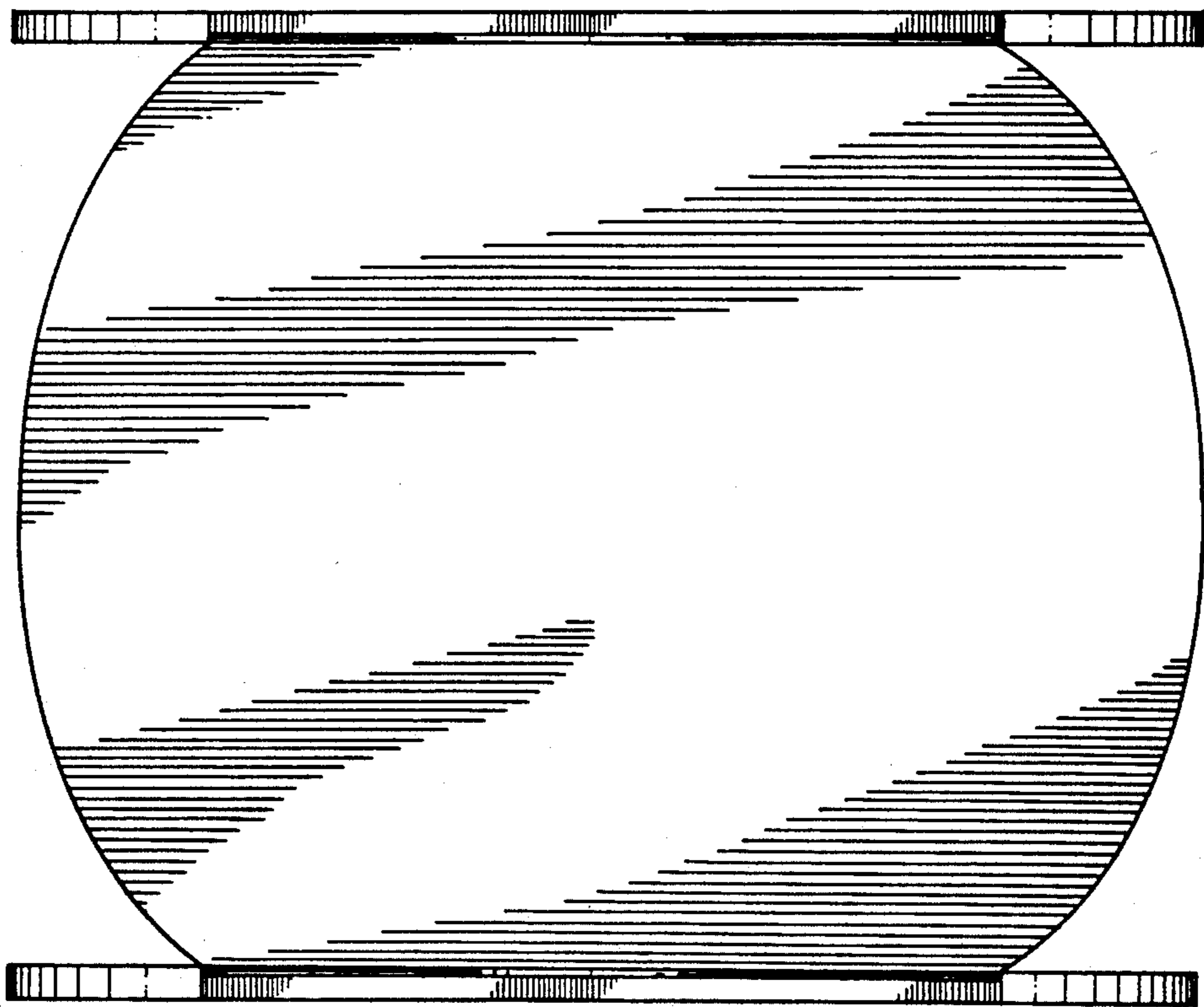


FIG. 3.

FIG. 6.

