



US00D333215S

# United States Patent [19]

[11] Patent Number: Des. 333,215

Brown

[45] Date of Patent: \*\* Feb. 16, 1993

[54] TOOL POUCH WITH HOLSTER FOR A CORDLESS DRILL

[75] Inventor: Kirk R. Brown, Santa Clarita, Calif.

[73] Assignee: McGuire-Nicholas Manufacturing Co., City of Commerce, Calif.

[\*\*] Term: 14 Years

[21] Appl. No.: 790,717

[22] Filed: Oct. 12, 1991

[52] U.S. Cl. .... D3/105; D2/630

[58] Field of Search ..... D3/100, 101, 102, 104, D3/105, 106; D2/630; 224/253, 240, 243, 901, 242, 251, 280, 227, 911, 904, 246

[56] **References Cited**

**U.S. PATENT DOCUMENTS**

D. 314,670	2/1991	Schultz .....	D3/105
4,917,281	4/1990	Ostermiller .....	224/253
4,966,321	10/1990	Outlaw .....	224/904 X
4,986,459	1/1991	Yarbrough, Jr. ....	224/904 X

**OTHER PUBLICATIONS**

Hyde Tools, Catalog #272, TM 1986, p. 29. Tool Pouch #09077.  
CWY Electronics Equipment and Supplies, rec'd Jun. 8, 1986, p. 140, General Purpose Pouch. 5168.

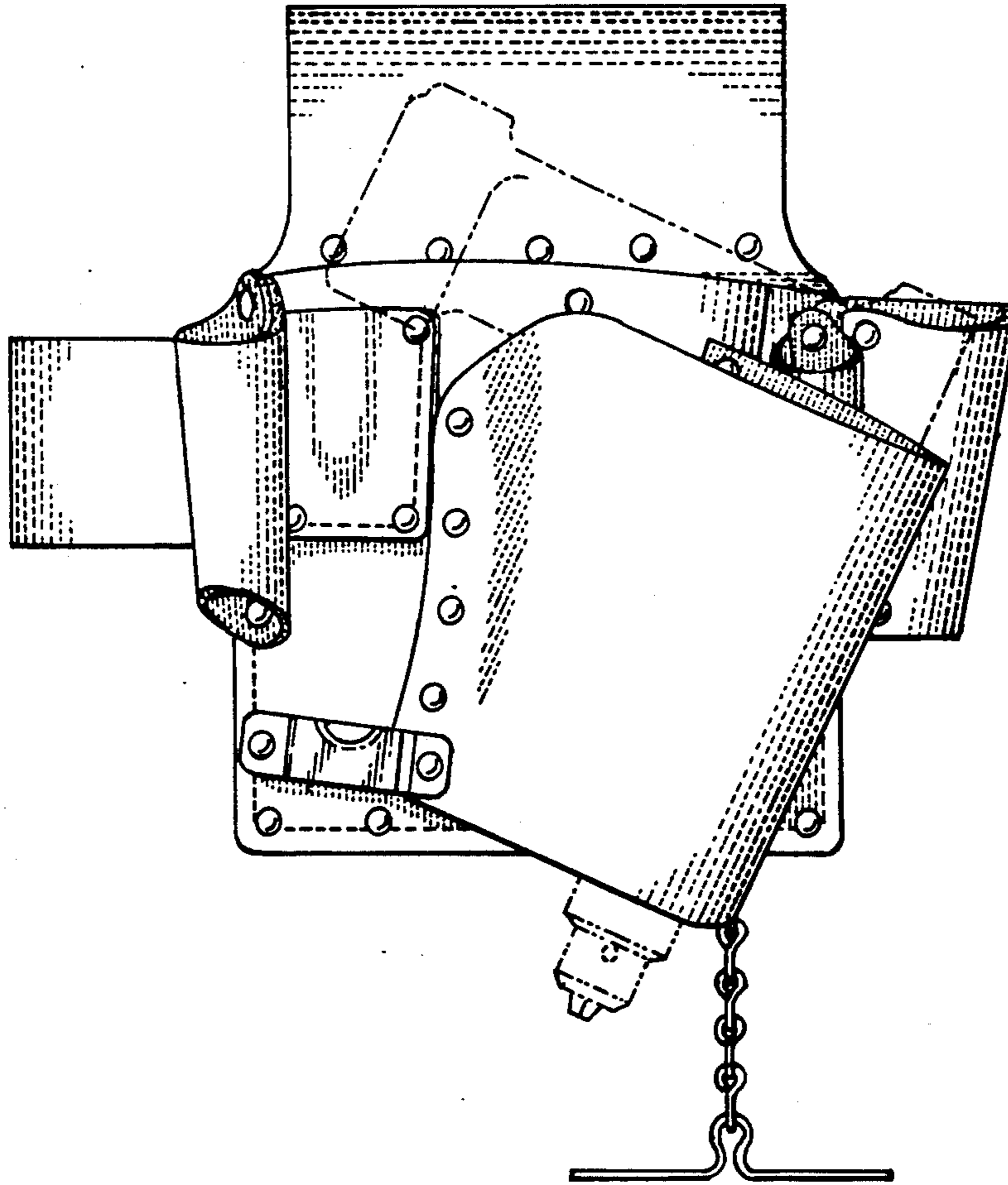
*Primary Examiner*—A. Hugo Word  
*Assistant Examiner*—Doris V. Coles  
*Attorney, Agent, or Firm*—Philip D. Junkins

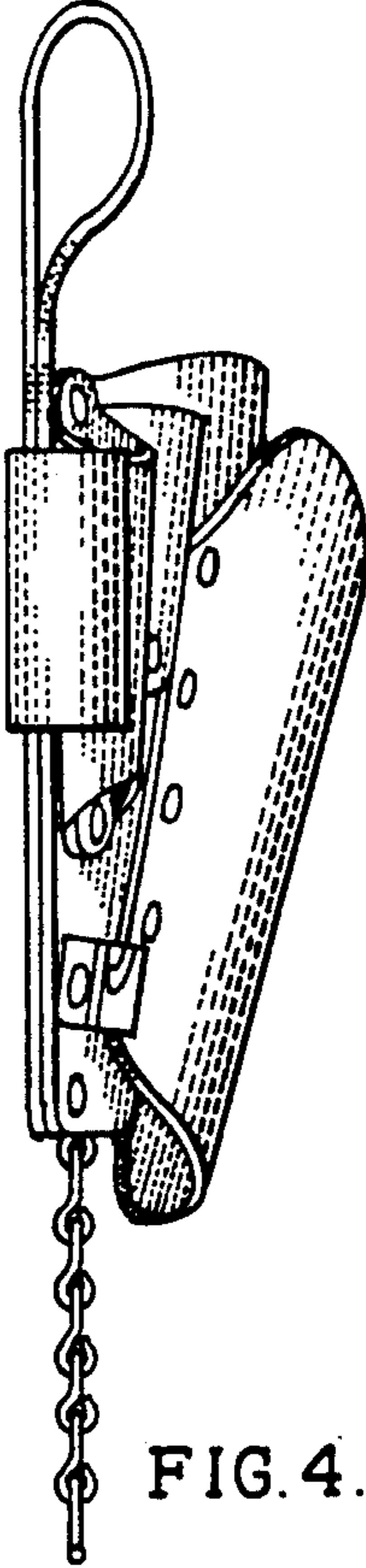
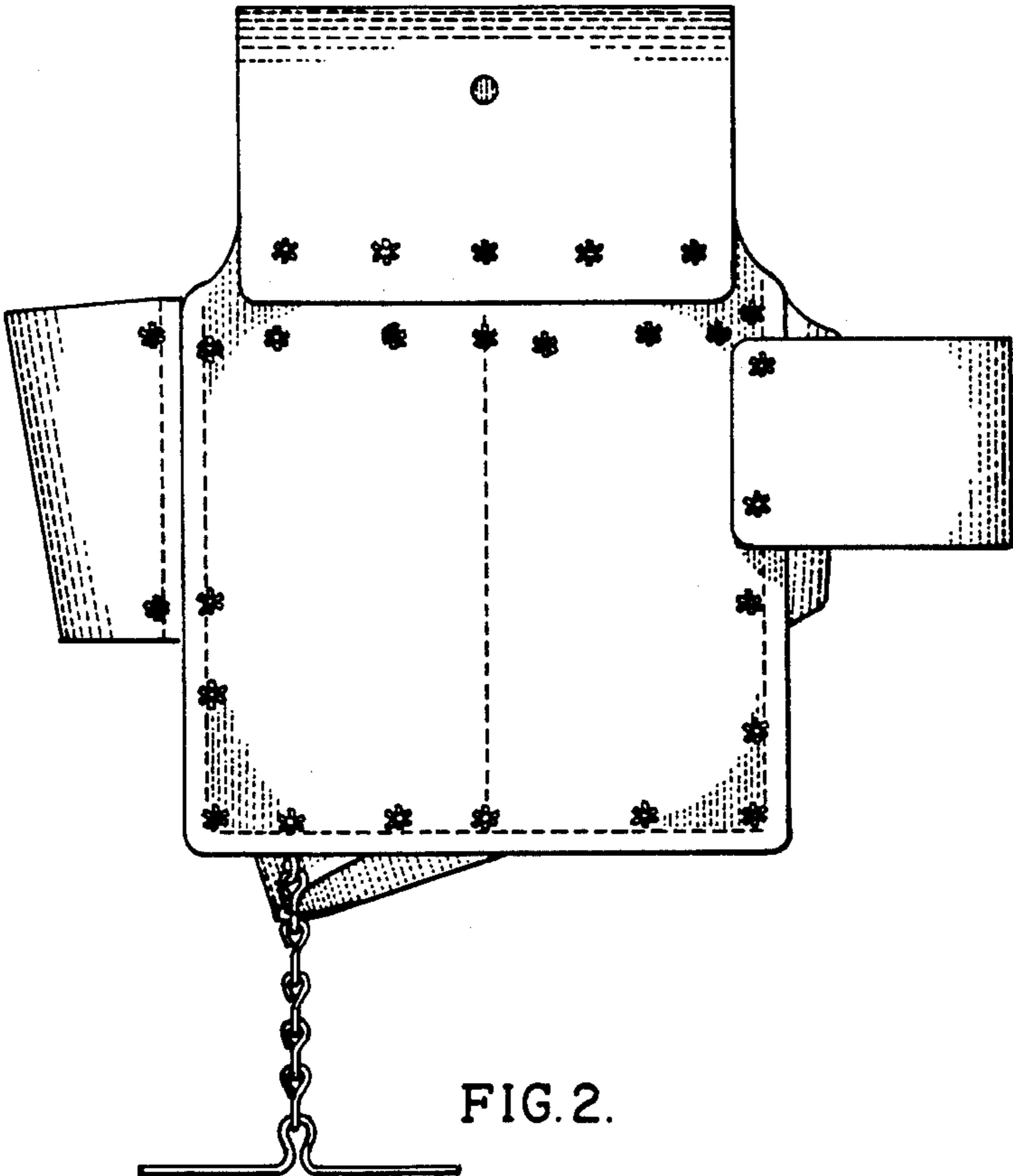
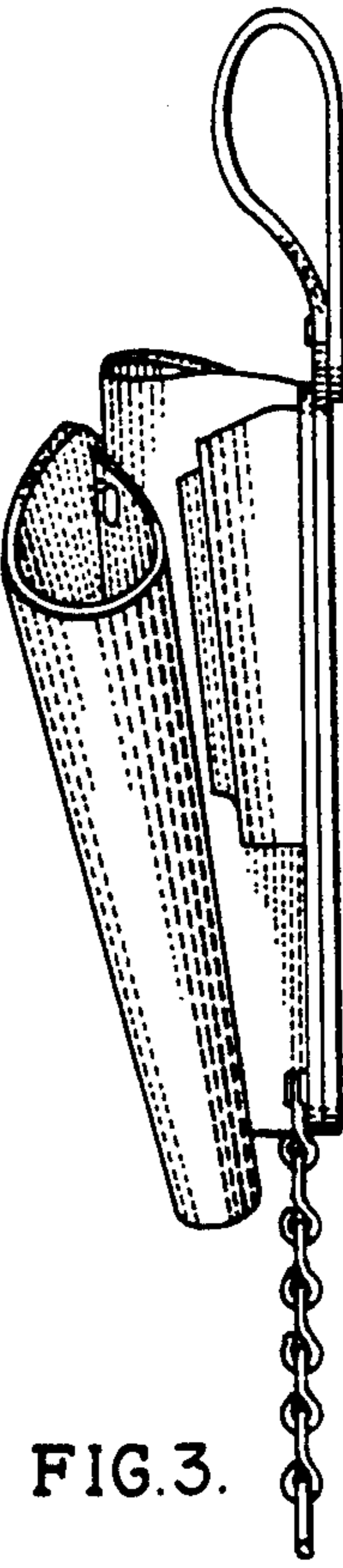
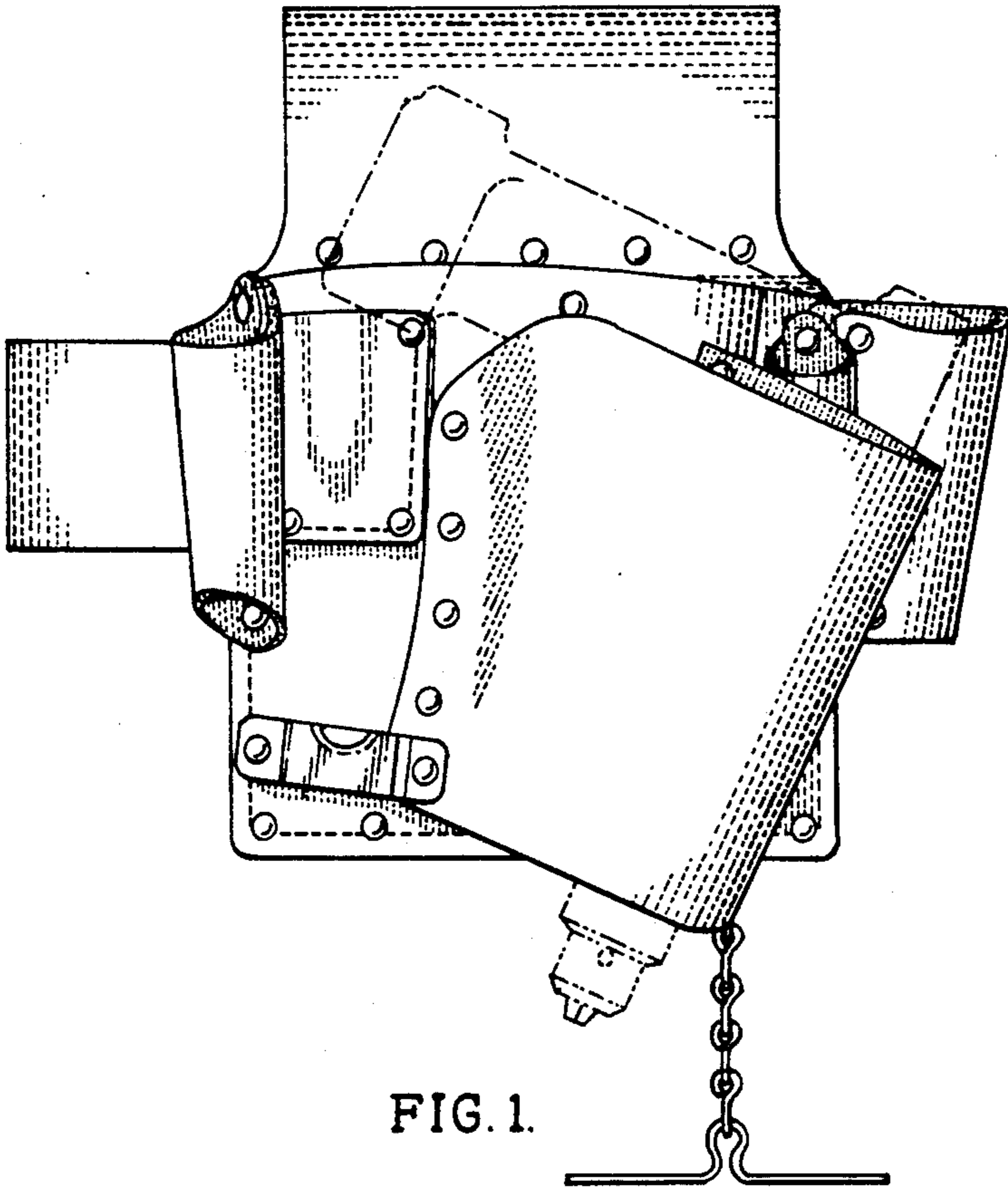
[57] **CLAIM**

The ornamental design for a tool pouch with a holster for a cordless drill, as shown and described.

**DESCRIPTION**

FIG. 1 is a perspective view of a tool pouch with holster for a cordless drill, showing my new design; FIG. 2 is a rear elevational view thereof; FIG. 3 is a right side elevational view thereof; FIG. 4 is a left side elevational view thereof; FIG. 5 is a top plan view thereof; and, FIG. 6 is a bottom plan view thereof. The broken line showing of a drill in FIG. 1 is for illustrative purposes only and forms no part of the claimed design.





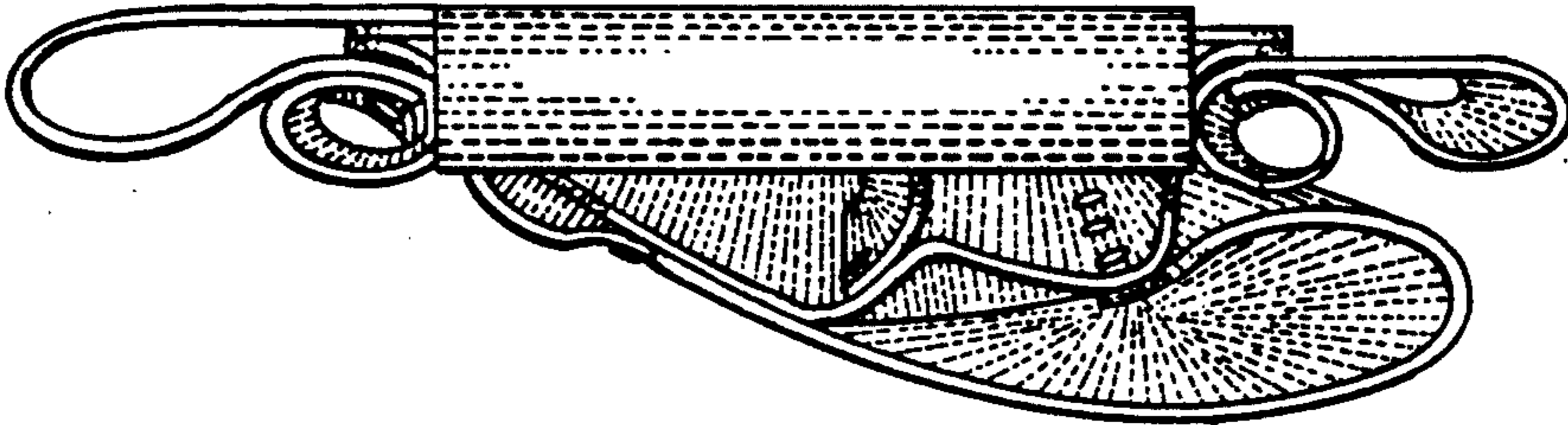


FIG. 5.

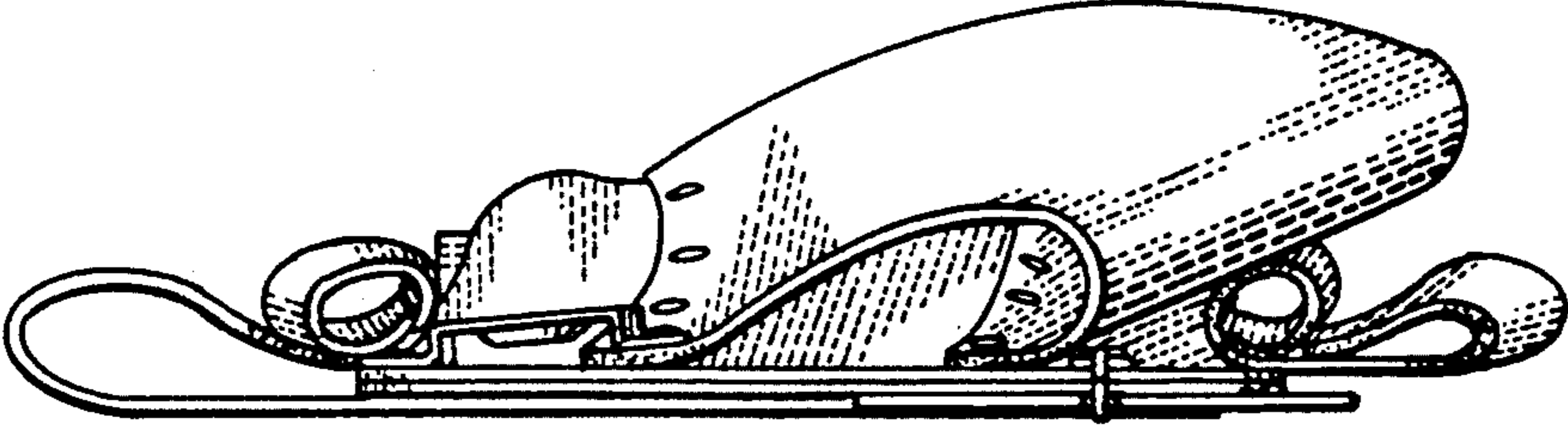


FIG. 6.