



US00D333200S

United States Patent [19]

Berrian

[11] Patent Number: Des. 333,200

[45] Date of Patent: ** Feb. 9, 1993

[54] FURNITURE MOVING DOLLY

[76] Inventor: Edward J. Berrian, 1231 Sweetpines Dr., Norcross, Ga. 30093

[**] Term: 14 Years

[21] Appl. No.: 564,547

[22] Filed: Aug. 9, 1990

[52] U.S. Cl. D34/23; D34/12

[58] Field of Search D34/12, 17, 23, 24; 280/79.11, 79.3, 47.34, 87.02, 47.19, 47.27

3,712,638 1/1973 Lipinsky 280/79.11
 4,588,197 5/1986 Benedetto 280/47.18

FOREIGN PATENT DOCUMENTS

2454943 12/1980 France 280/79.11

Primary Examiner—Kay H. Chin
 Attorney, Agent, or Firm—Terry M. Gernstein

[57] CLAIM

The ornamental design for a furniture moving dolly, as shown and described.

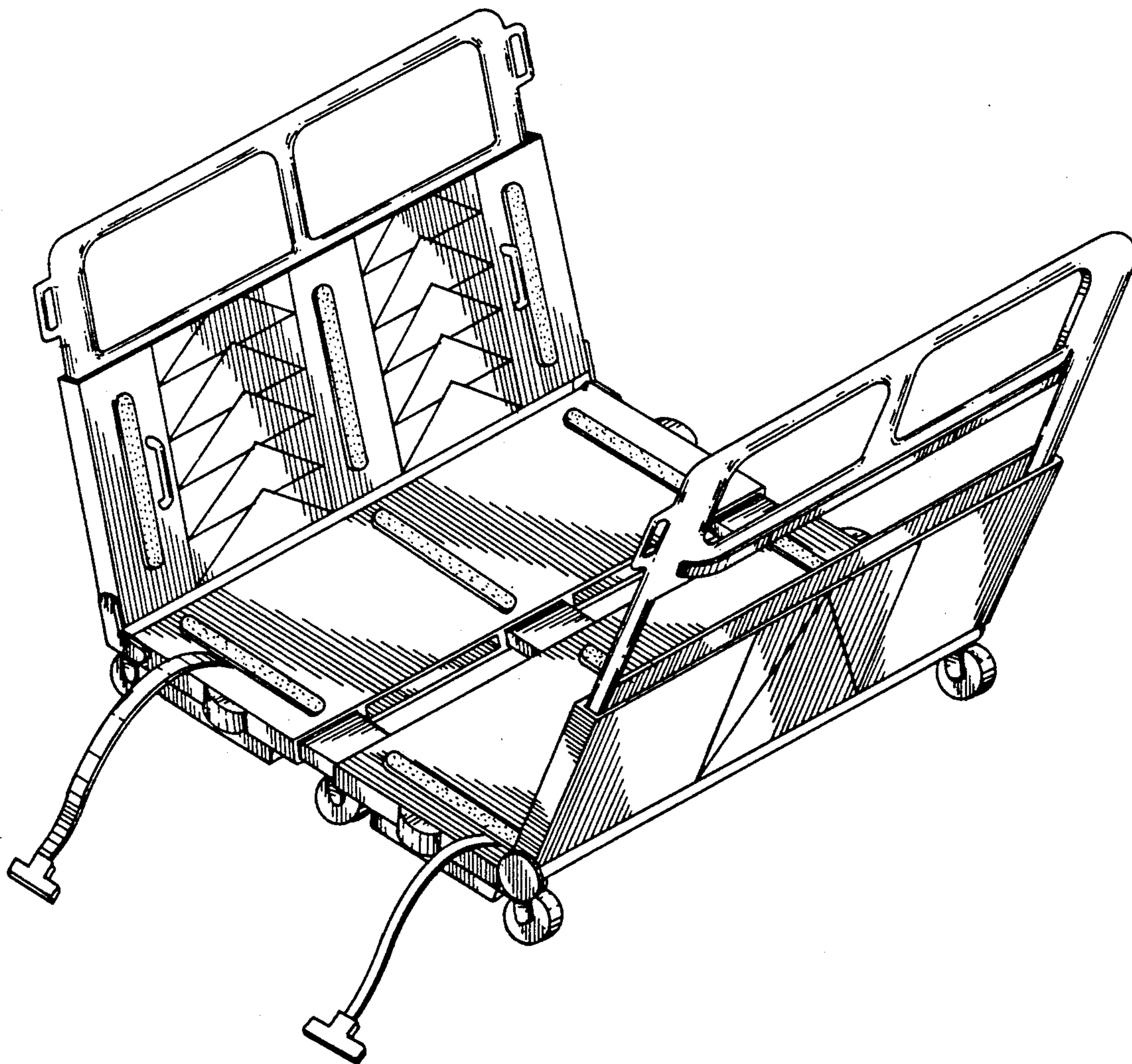
[56] References Cited

U.S. PATENT DOCUMENTS

D. 220,666	5/1971	Lillibridge	D34/23
D. 227,880	7/1973	Steinhoff	D34/24
D. 289,578	4/1987	Ruffin	D34/17
1,838,288	12/1931	Silvus	280/47.12
2,359,016	9/1944	Wood	214/65
2,862,720	12/1958	Stone et al.	280/47.34
3,669,464	6/1972	Linzmeier	280/47.34

DESCRIPTION

FIG. 1 is a top and front perspective view of a furniture moving dolly showing my new design; FIG. 2 is a front elevational view thereof, the rear elevational view being a mirror image of that shown; FIG. 3 is a right side elevational view thereof; FIG. 4 is a left side elevational view thereof; FIG. 5 is a top plan view thereof; and, FIG. 6 is a bottom plan view thereof.



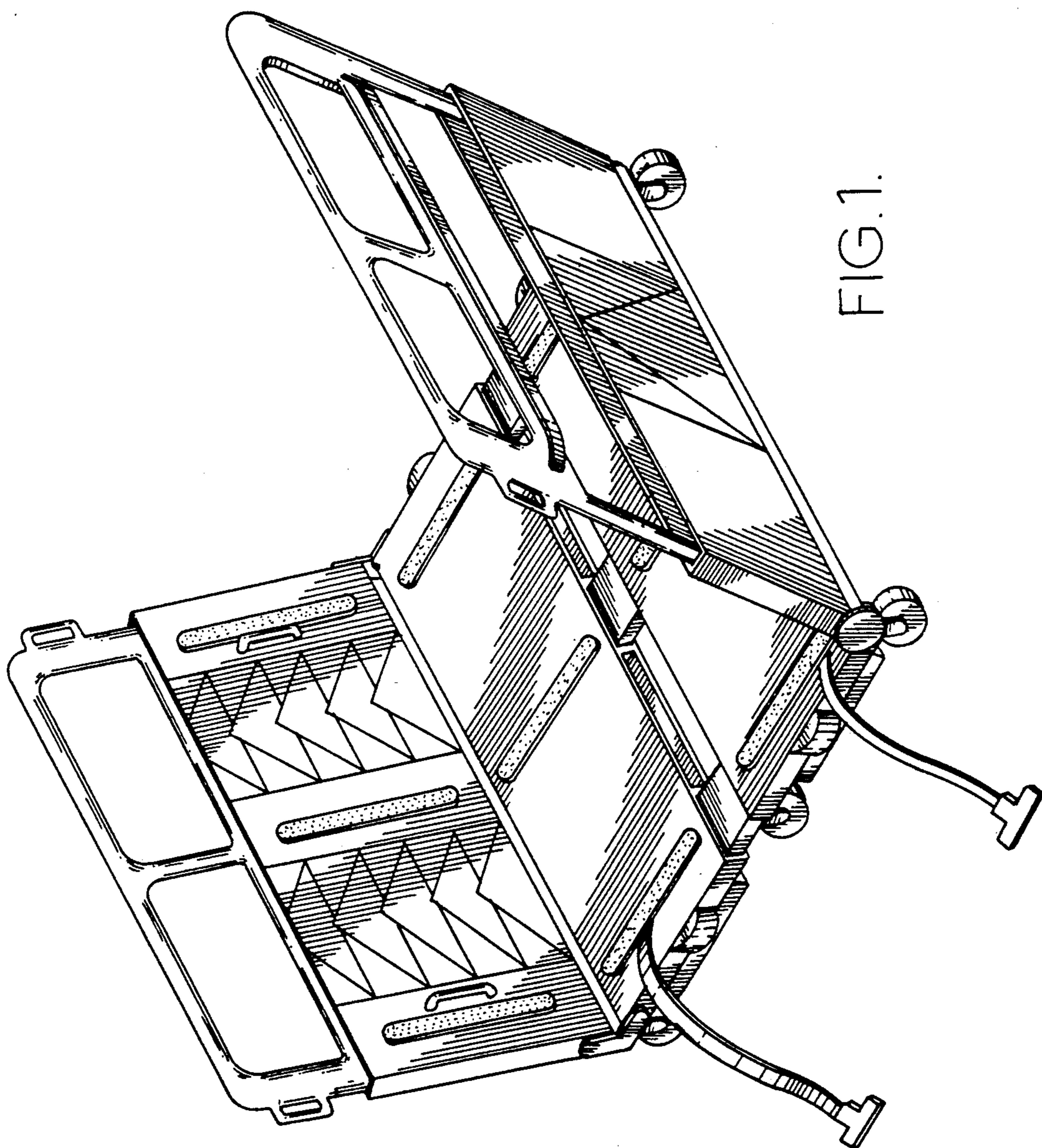


FIG.1.

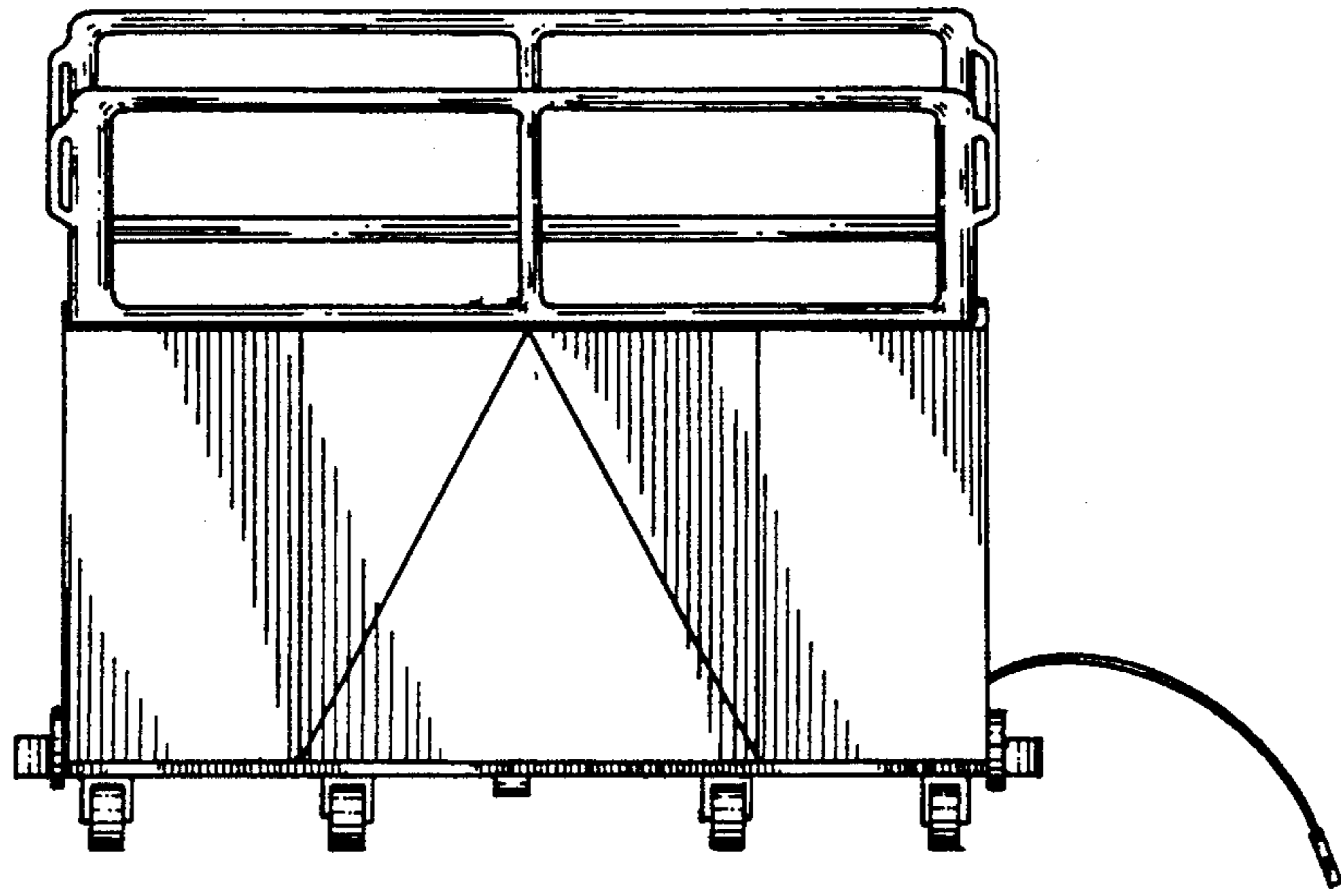


FIG. 3.

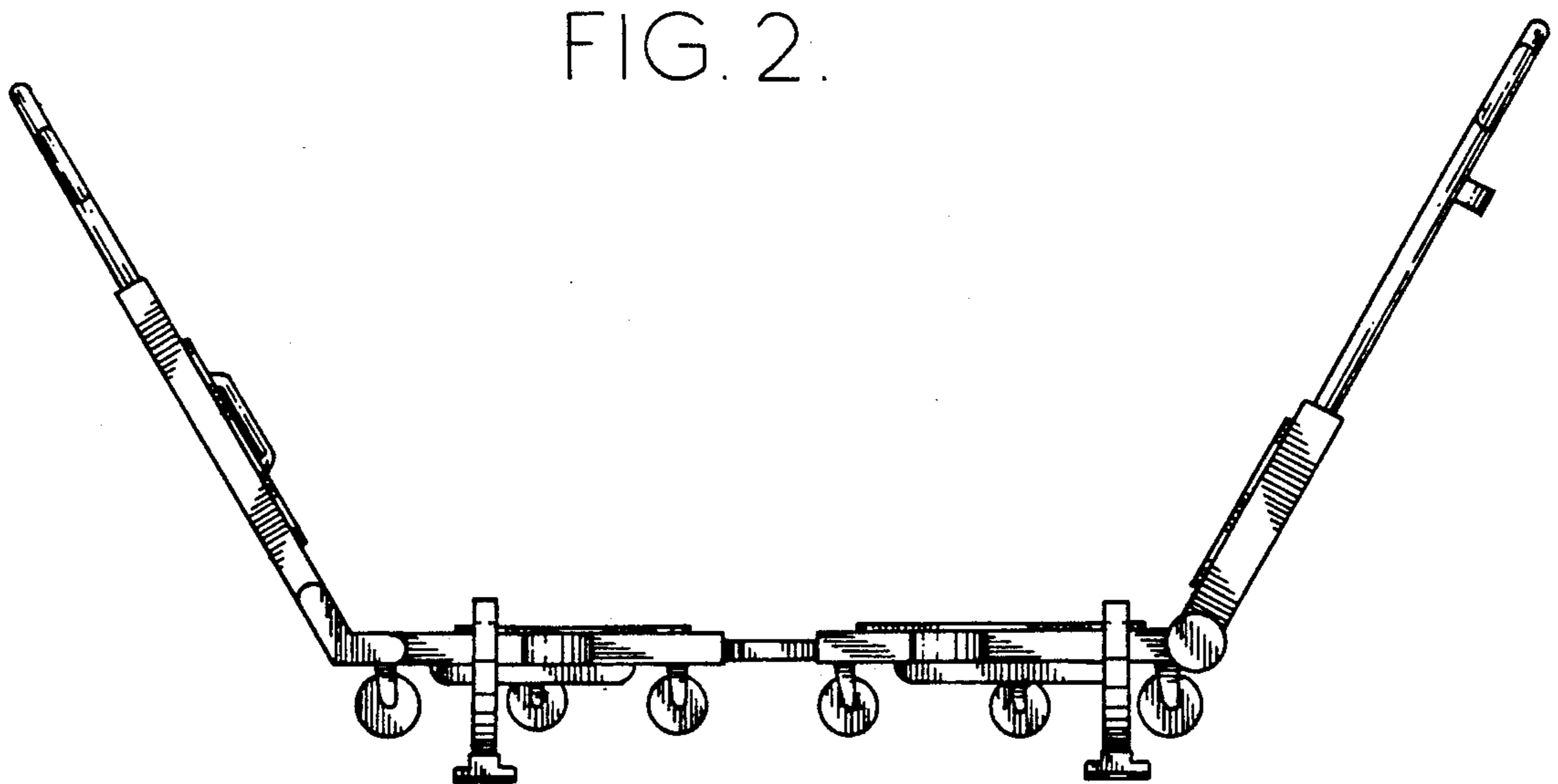


FIG. 2.

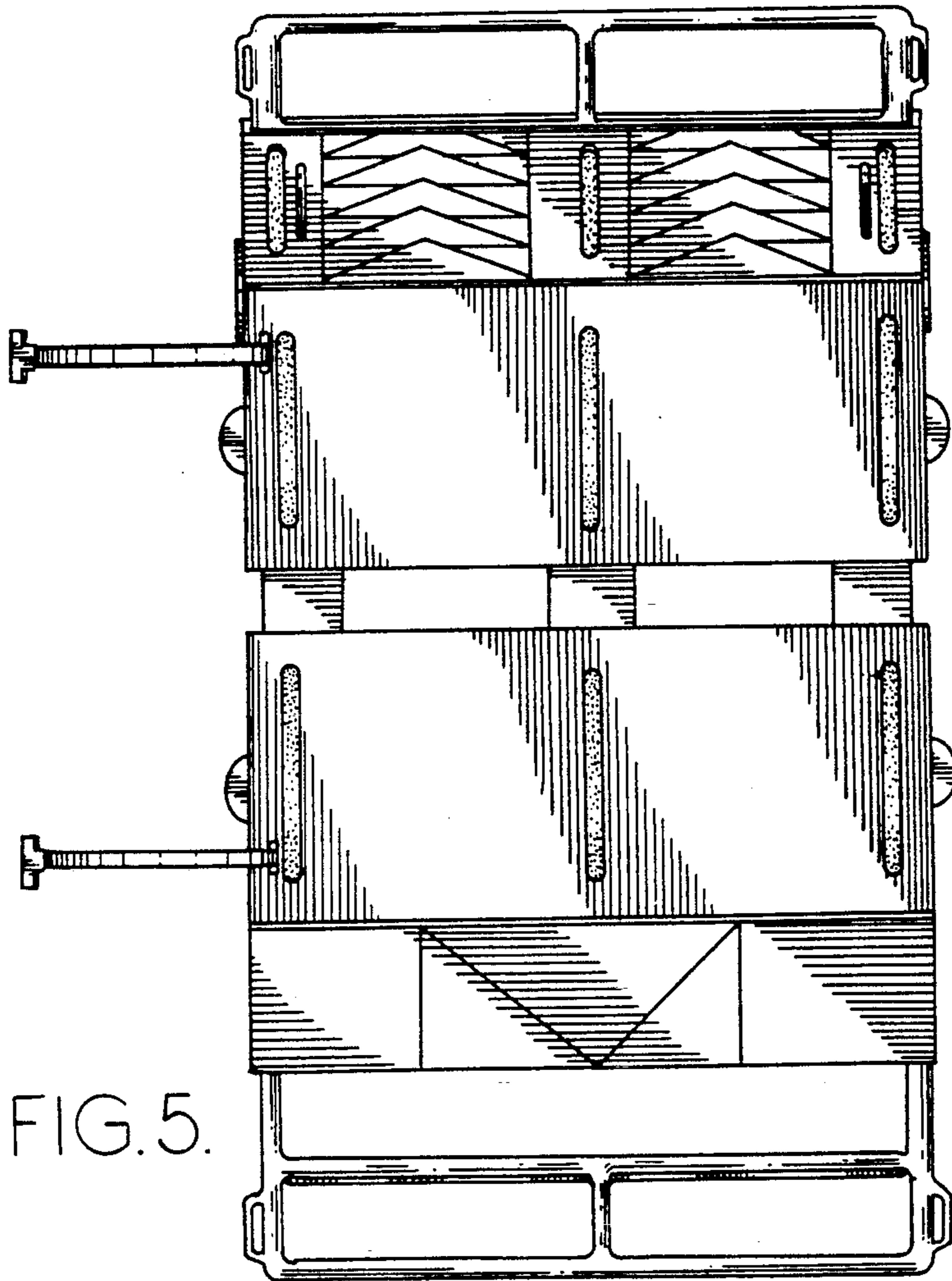


FIG. 5.

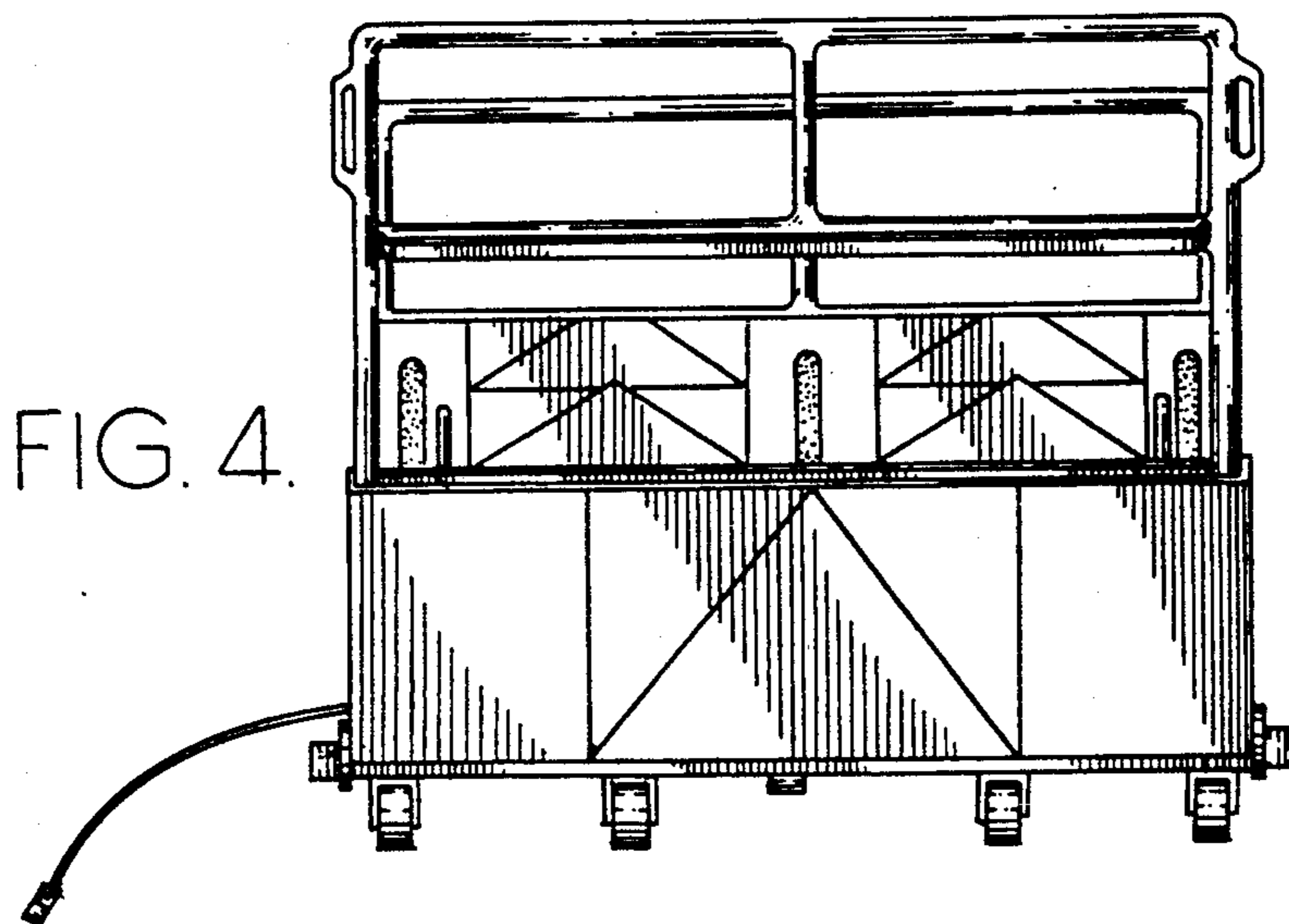


FIG. 4.

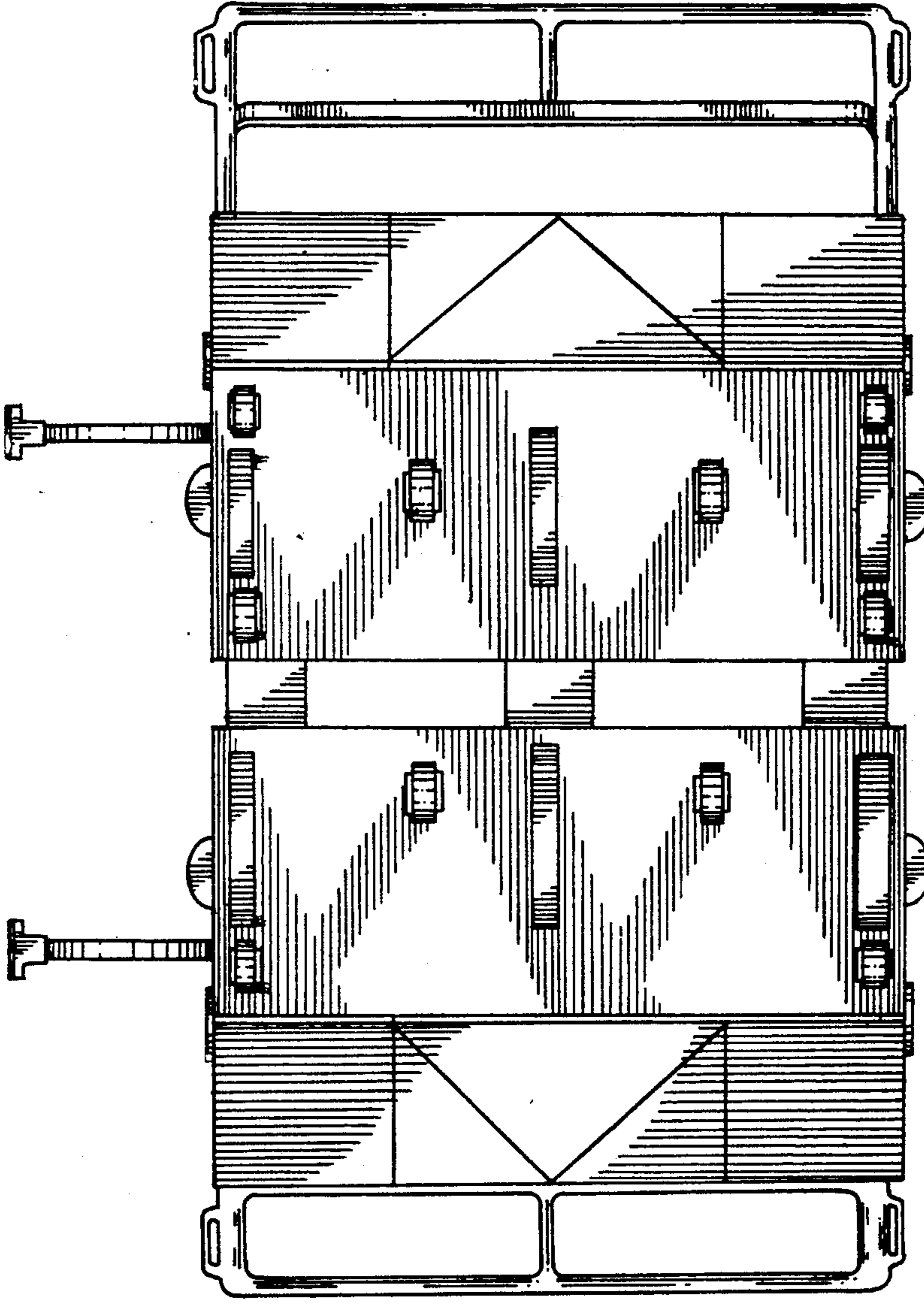


FIG.6.