



US00D333199S

United States Patent [19]

[11] Patent Number: **Des. 333,199**

Long

[45] Date of Patent: **** Feb. 9, 1993**

[54] COMPOSTER LID

[75] Inventor: **Richard Long**, San Francisco, Calif.

[73] Assignee: **Smith & Hawken**, Mill Valley, Calif.

[**] Term: **14 Years**

[21] Appl. No.: **673,575**

[22] Filed: **Mar. 22, 1991**

[52] U.S. Cl. **D34/11**

[58] Field of Search **D34/1-11;**
220/908, 254, 352, 334, 331, 343; 232/432;
52/192, 245, 169.5; 47/83, 9; D8/1

[56] References Cited

U.S. PATENT DOCUMENTS

D. 256,088	7/1980	Gedye	D7/194
D. 258,258	2/1981	Haddock	D7/194
D. 263,365	3/1982	Arato	D34/1
D. 269,046	5/1983	Faul	D34/4
D. 300,974	5/1989	Dewing	D34/11
3,847,299	11/1974	Page	220/4 F
4,060,945	12/1977	Wilson	52/169.5
4,105,412	8/1978	Petzinger	23/259.1
4,108,609	8/1978	Petzinger	23/259.1
4,112,644	9/1978	Allen	52/245
4,352,888	10/1982	Tisbo et al.	435/287

OTHER PUBLICATIONS

R. D. Raabe, "The Rapid Composting Method", University of CA Leaflet 21251 (Sep. 1981), pp. 1-4.
 Horticulture, "Rotating Composter", Jan. 1986.
 Langenbach Catalog, Soil Saver™ Compost Bin, Summer/Fall 1990, p. 5.
 Yard & Garden Showcase, Ringer Compost Bin, 1990.

Ringer Corporation, Success with Composting, 1988, pp. 1-15.

Rodale's Practical Homeowner, Composters, pp. 22-25, Apr. 1987.

Compostsystems™, Grass Eliminator I and II, Jan. 1991.

The Wall Street Journal, "Taking the Mystery Out of Composters", Feb. 21, 1991.

Kemp, ComposTumbler™, 1990.

Garden Way Manufacturing Company, "10 Key Questions about Compost!", Troy-Bilt, 1986.

Blackwell Products, Tumbler™, The Aerobic Compost Maker, 1986.

Primary Examiner—**Kay H. Chin**

Attorney, Agent, or Firm—**Limbach & Limbach**

[57] CLAIM

The ornamental design for a composter lid, as shown and described.

DESCRIPTION

FIG. 1 is a top perspective view of a composter lid showing my new design;

FIG. 2 is a top plan view of right panel of the composter lid;

FIG. 3 is a right side elevational view of FIG. 2;

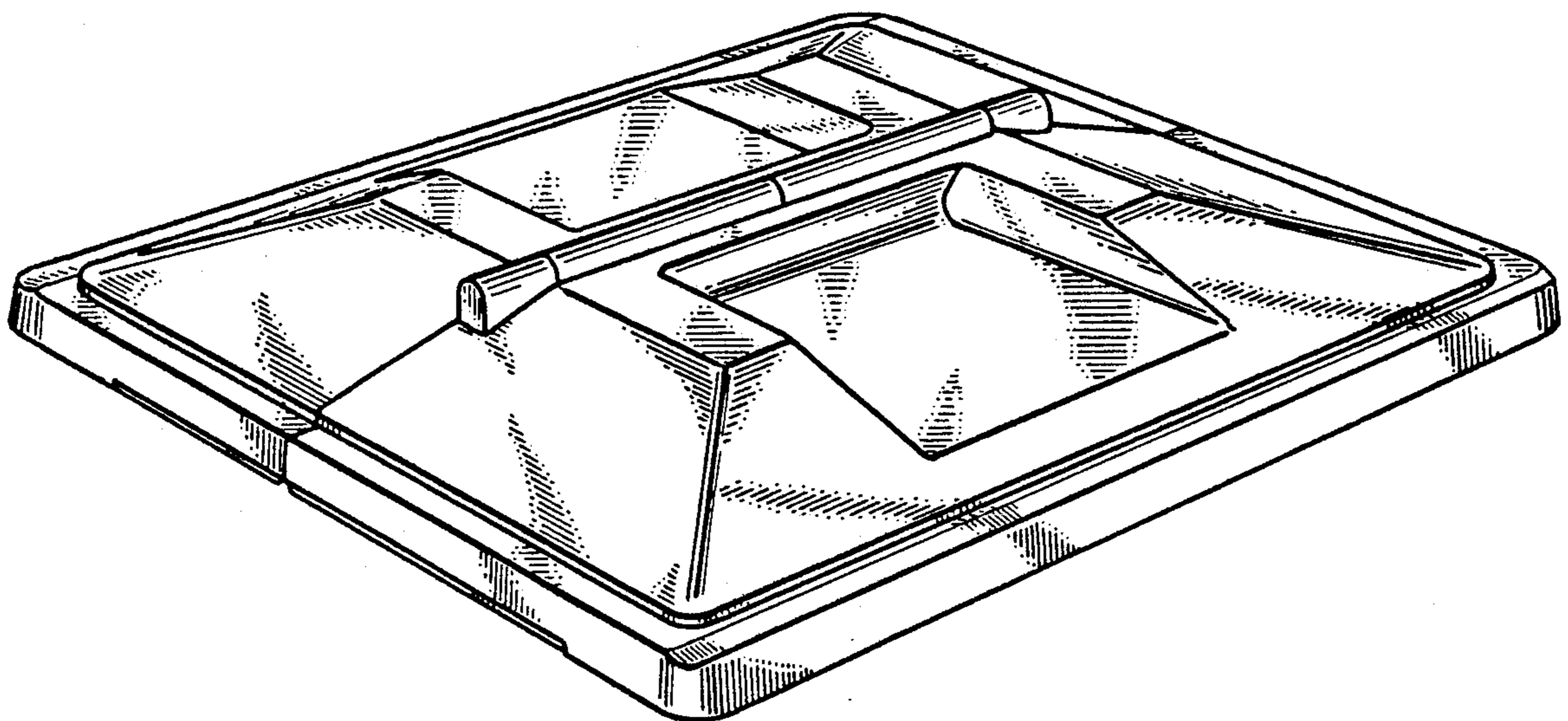
FIG. 4 is a front elevational view of FIG. 2;

FIG. 5 is a front elevational view of left panel of the composter lid;

FIG. 6 is a cross sectional view taken along the line 6-6 in FIG. 3;

FIG. 7 is a left side elevational view of a left panel of the composter lid; and,

FIG. 8 is a bottom plan view of FIG. 7.



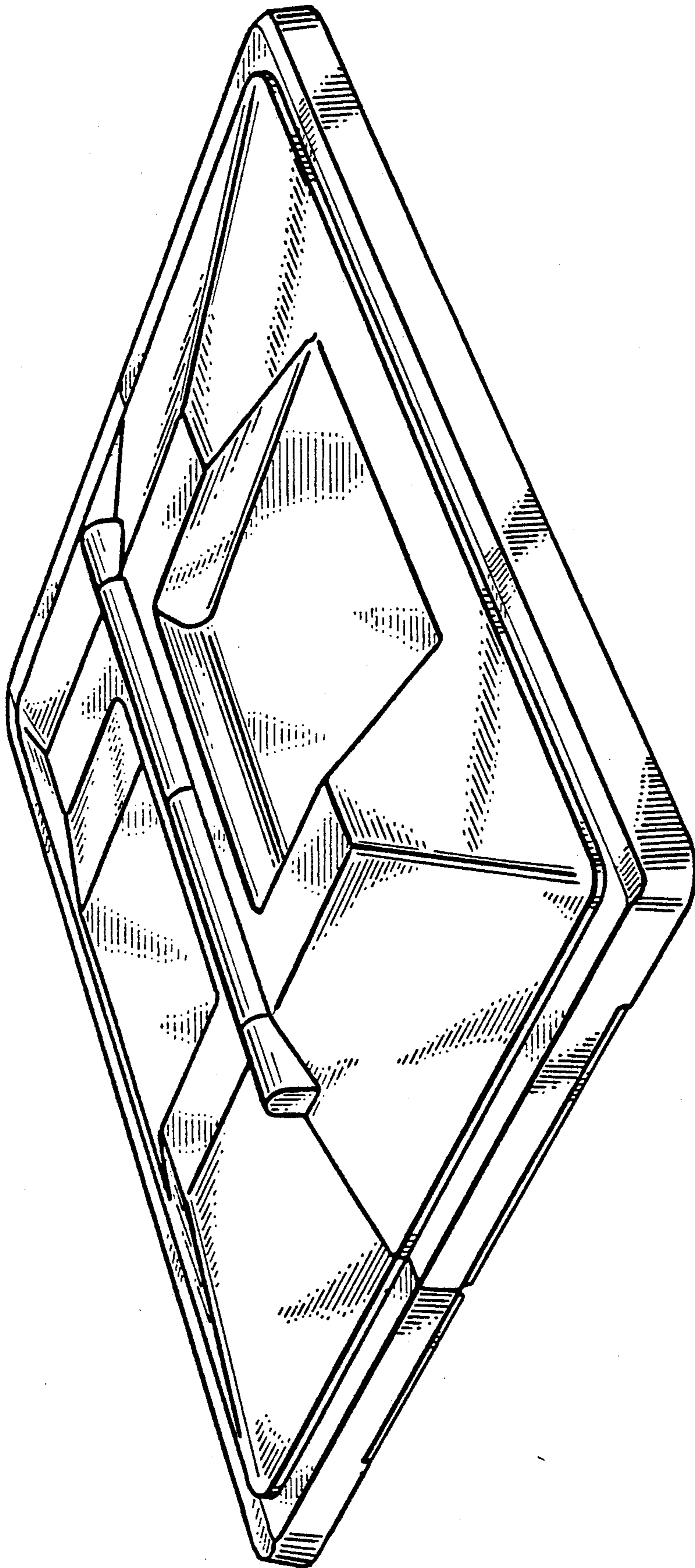


FIG. 1

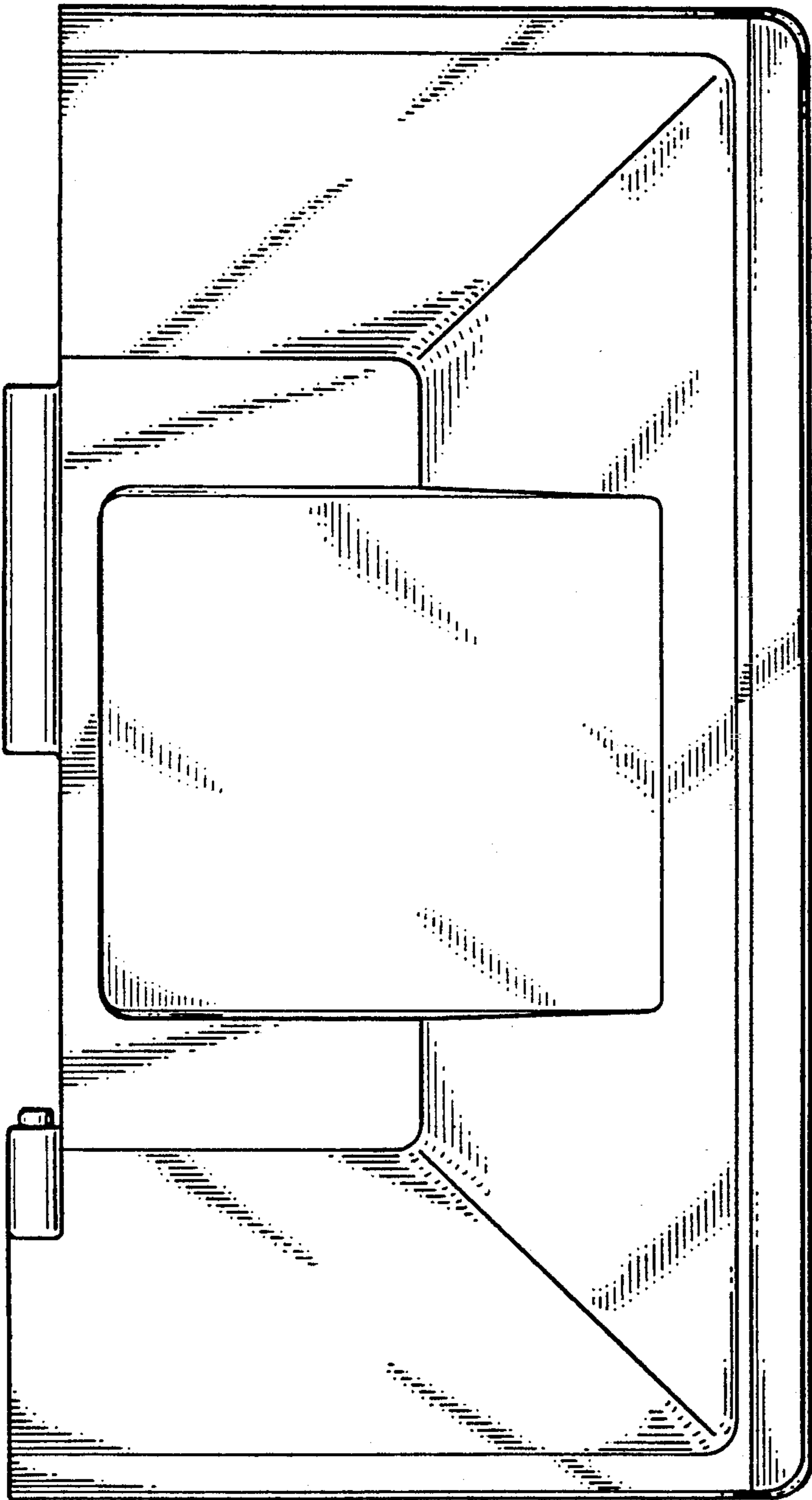


FIG. 2

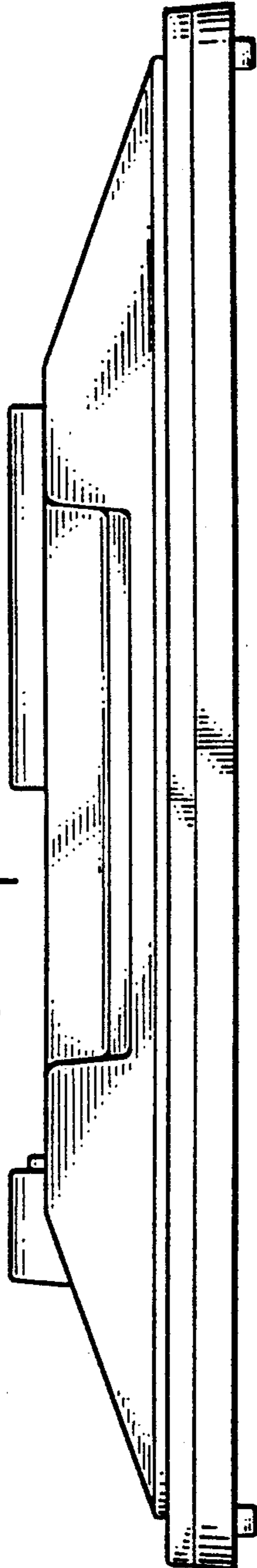


FIG. 3



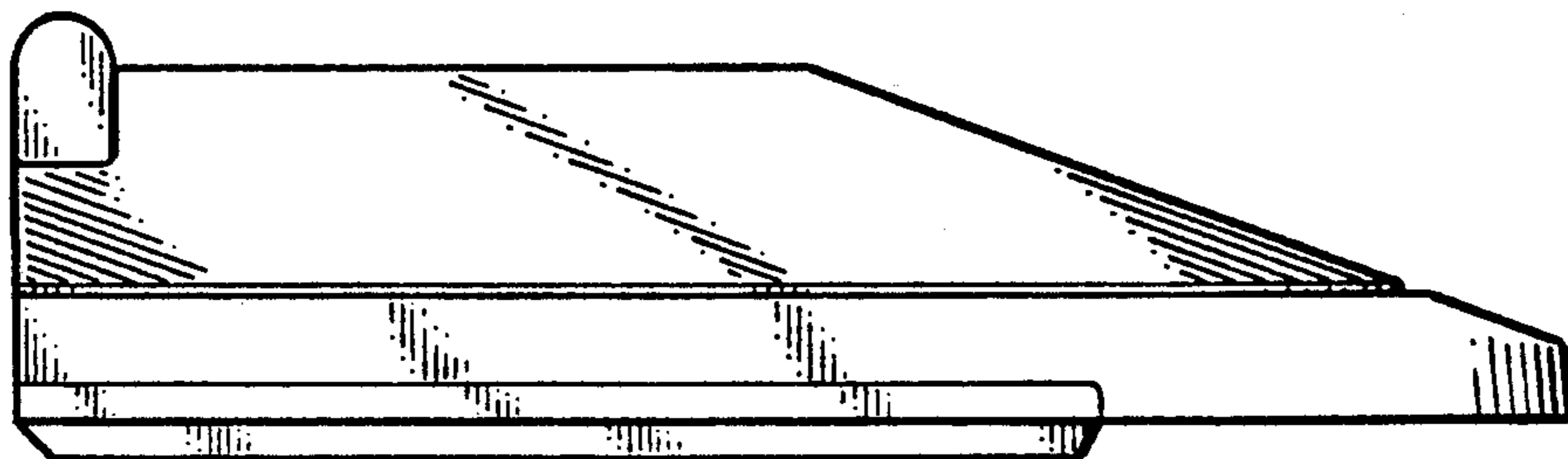


FIG. 4

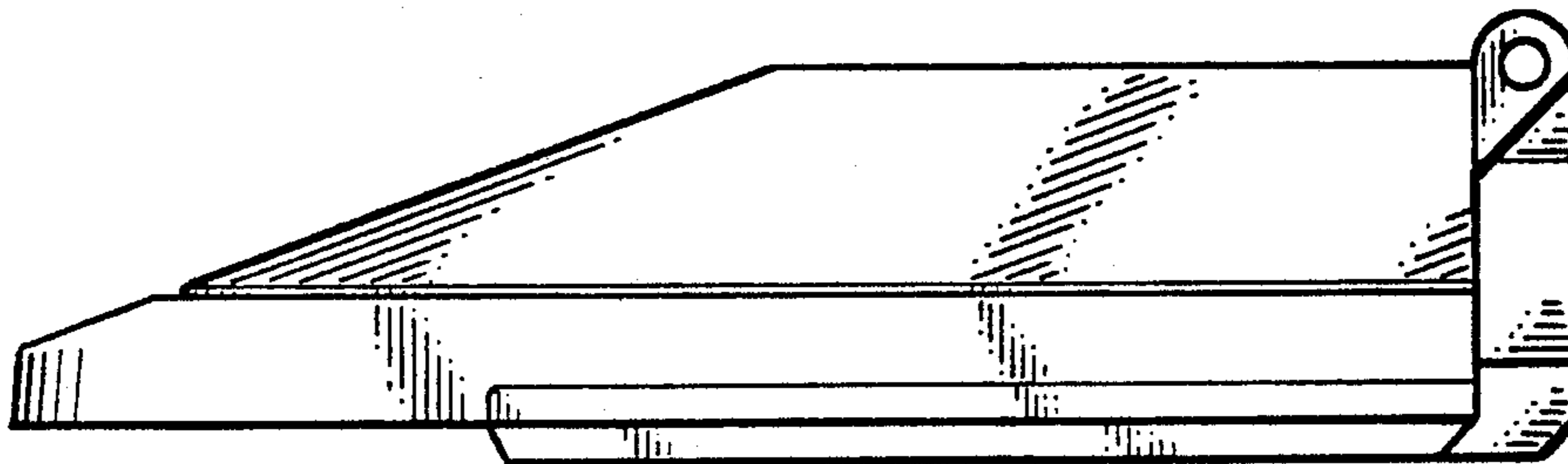


FIG. 5

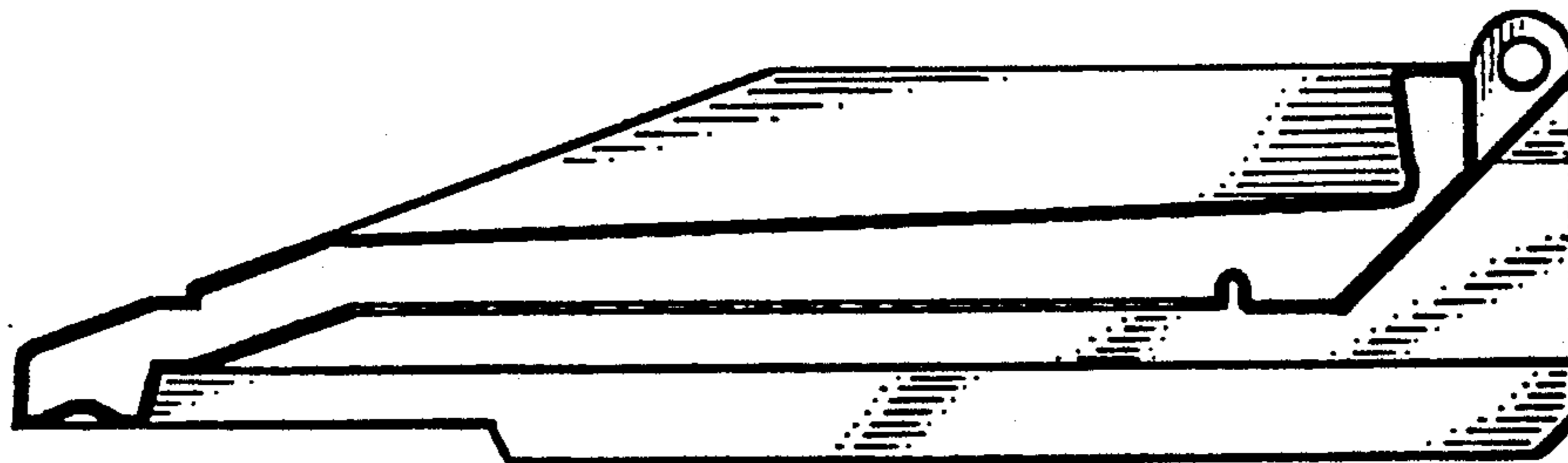


FIG. 6

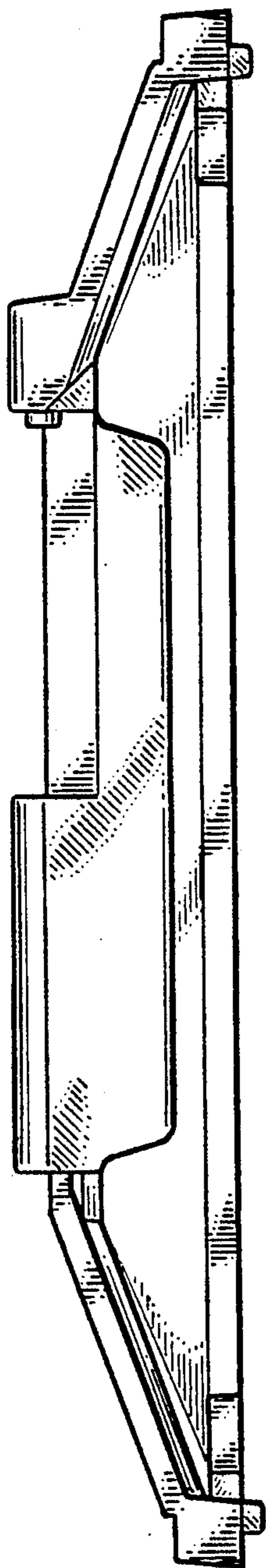


FIG. 7

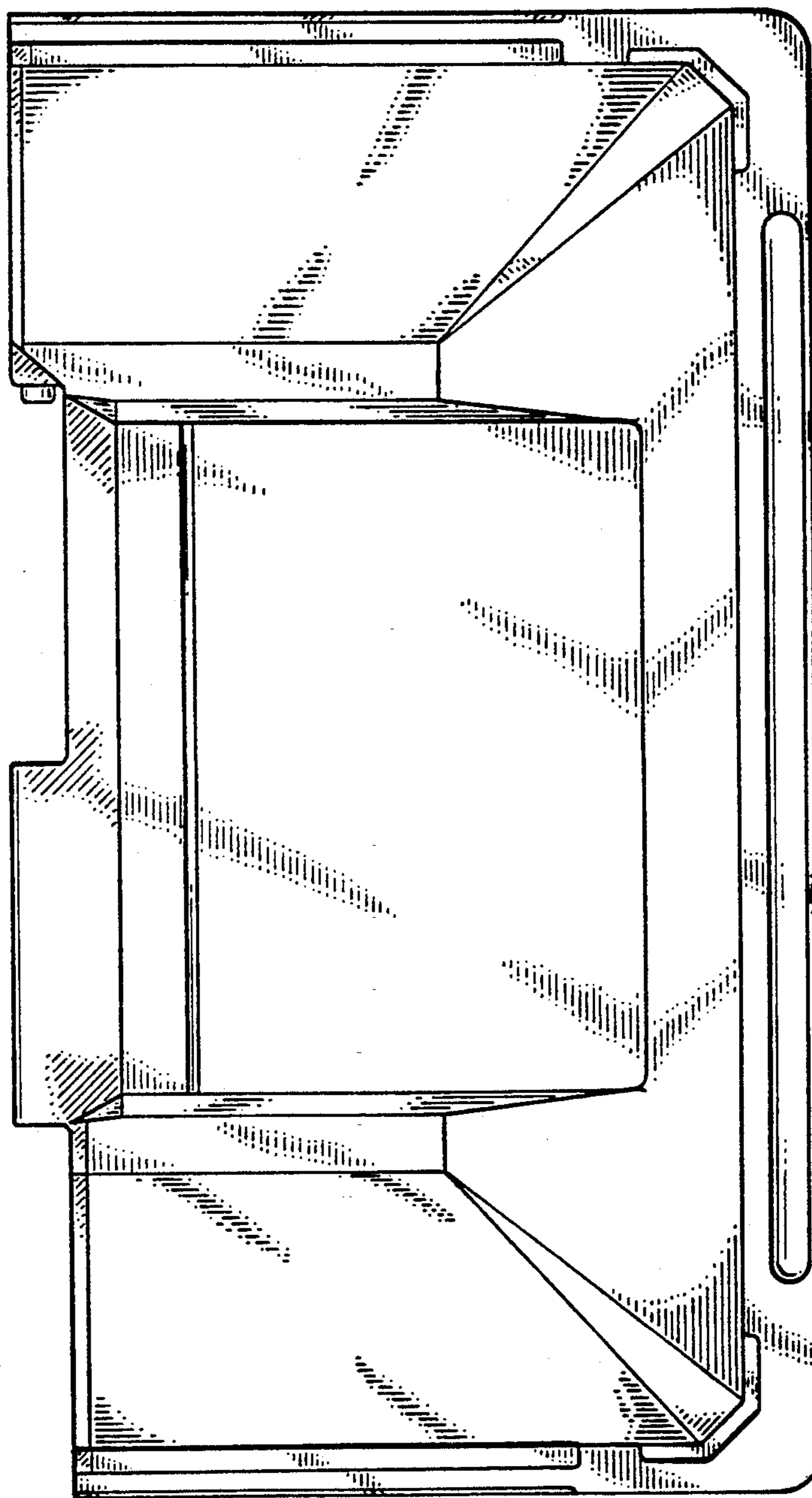


FIG. 8