



US00D333198S

United States Patent [19]

[11] Patent Number: **Des. 333,198**

Mann

[45] Date of Patent: **** Feb. 9, 1993**

[54] WASTE COLLECTING RECEPTACLE

[76] Inventor: **John C. Mann**, 3111 Pualei Cir. #305, Honolulu, Hi. 96815

[**] Term: **14 Years**

[21] Appl. No.: **730,308**

[22] Filed: **Jul. 15, 1991**

[52] U.S. Cl. **D34/1; D8/1; D34/5**

[58] Field of Search **D34/1; D8/1, 13; 248/99, 101; 294/1.1, 1.3, 1.4, 55, 51, 53.5; 15/104.8, 287.4**

[56] References Cited

U.S. PATENT DOCUMENTS

D. 267,593	1/1983	Crawford et al.	D34/1
784,562	3/1905	Hetland	294/55
2,899,699	8/1959	Caisse	15/257.4
3,026,553	3/1962	Whitmire	15/257.4
3,861,730	1/1975	Ringo	294/55
4,962,956	10/1990	Scipter	15/257.4

FOREIGN PATENT DOCUMENTS

361534	of 1922	Fed. Rep. of Germany .	
1039125	6/1951	France	15/257.4
2379652	of 1977	France .	

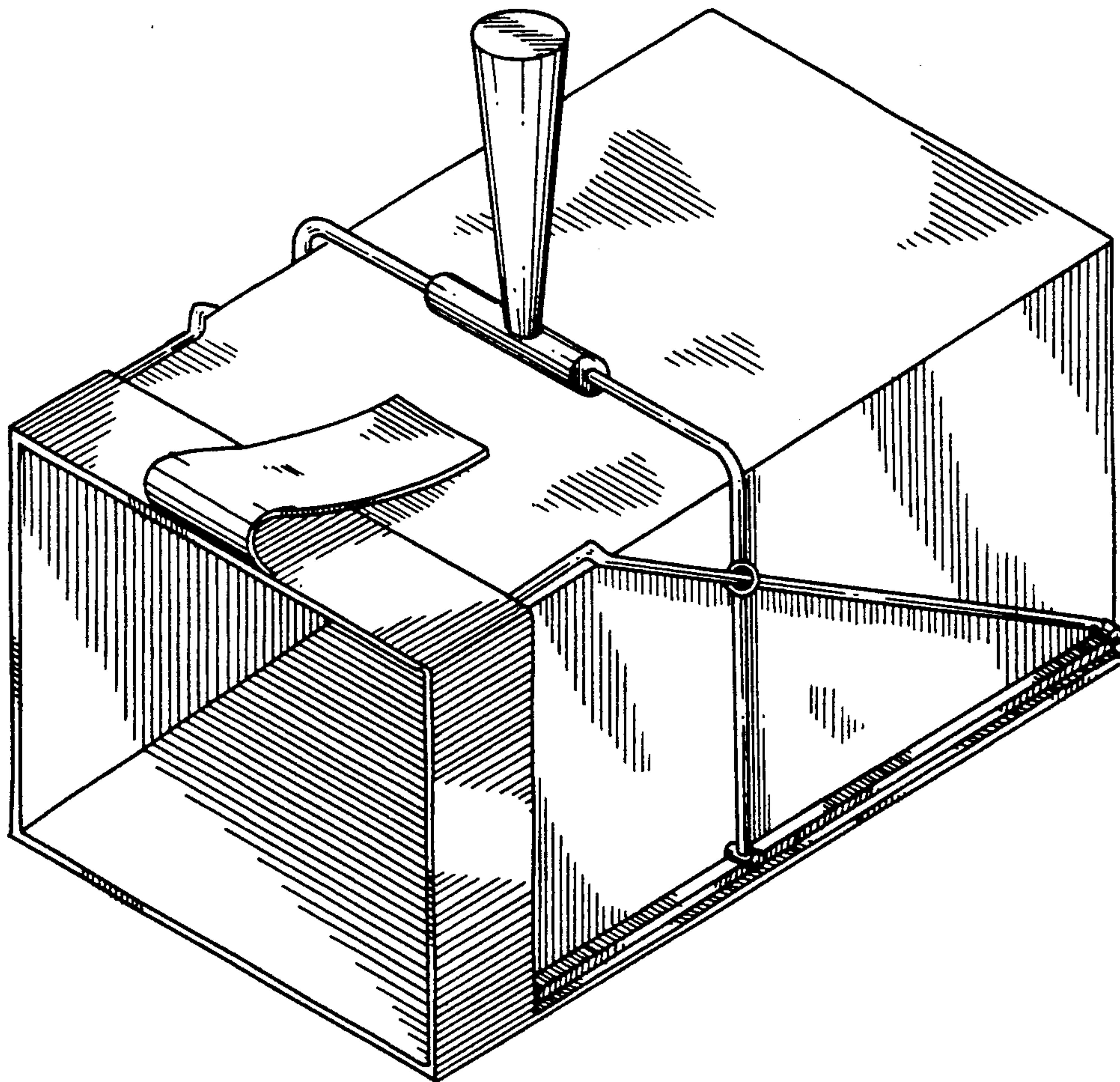
Primary Examiner—Kay H. Chin
Attorney, Agent, or Firm—Terry M. Gernstein

[57] CLAIM

The ornamental design for a waste collecting receptacle, as shown and described.

DESCRIPTION

FIG. 1 is a top and front perspective view of a waste collecting receptacle showing my new design; FIG. 2 is a front elevational view thereof; FIG. 3 is a rear elevational view thereof; FIG. 4 said side elevational view thereof, the opposite side elevational view being a mirror image of the shown; FIG. 5 is a top plan view thereof; and, FIG. 6 is a bottom plan view thereof.



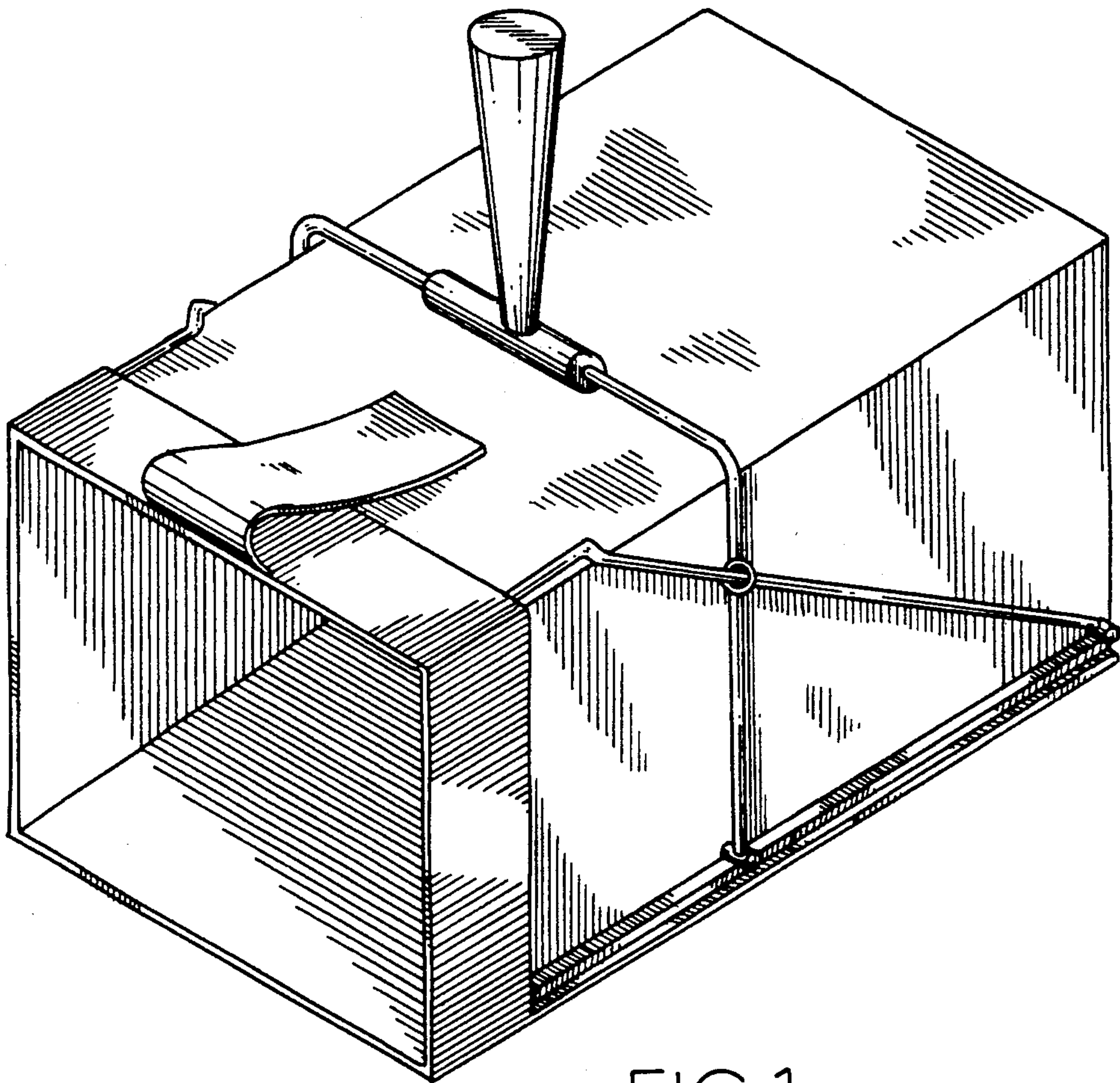


FIG. 1.

FIG. 2

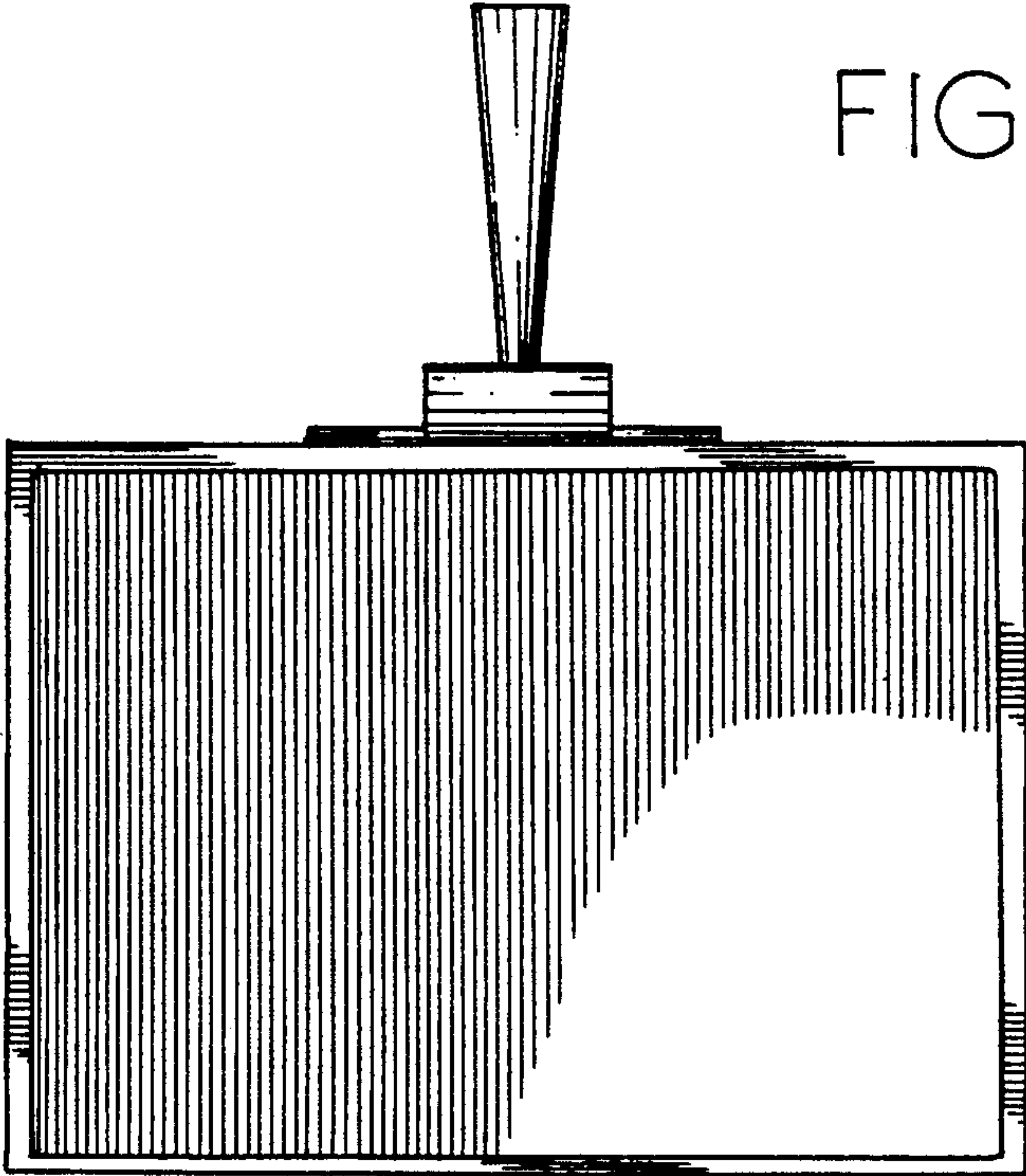


FIG. 4.

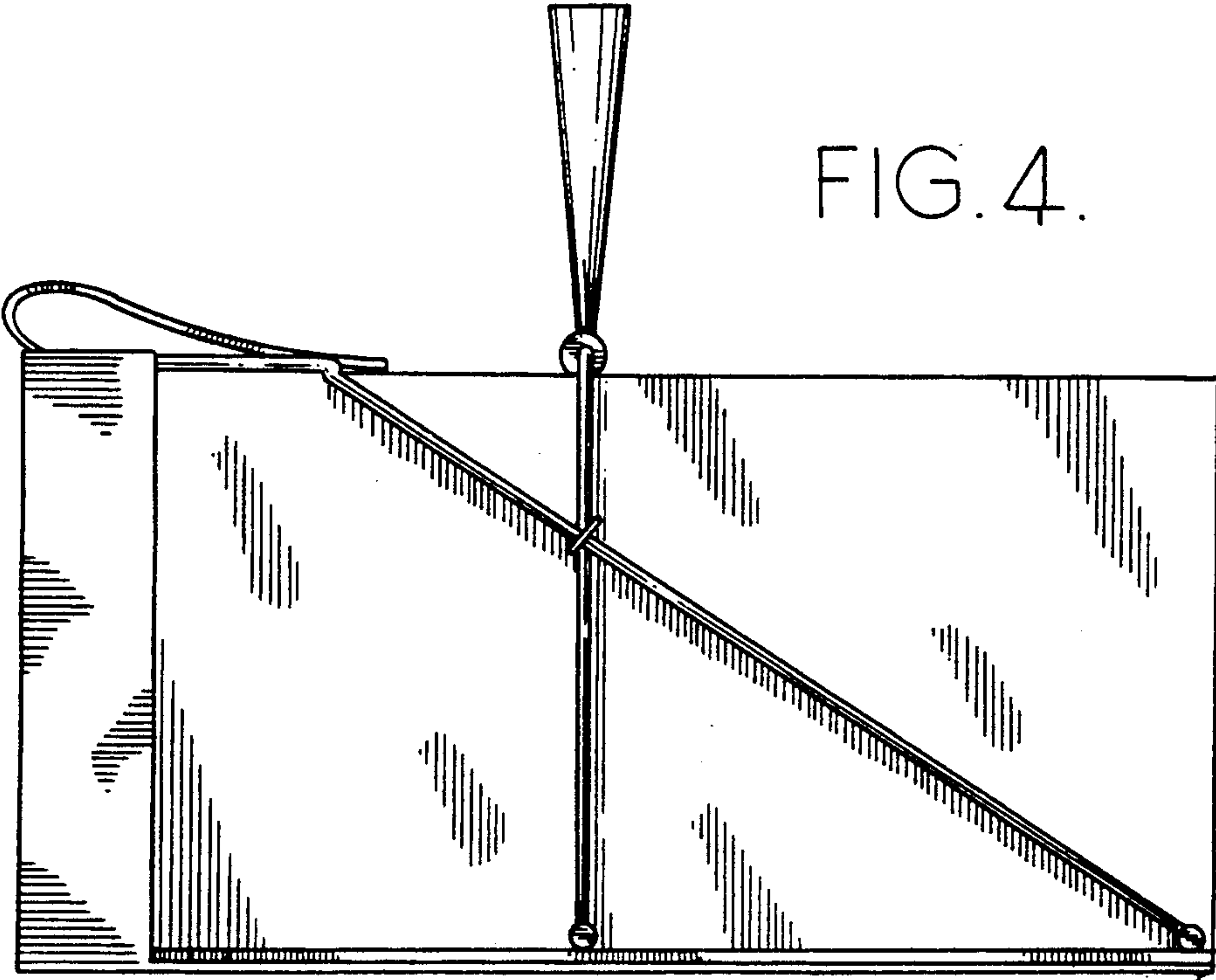


FIG. 3.

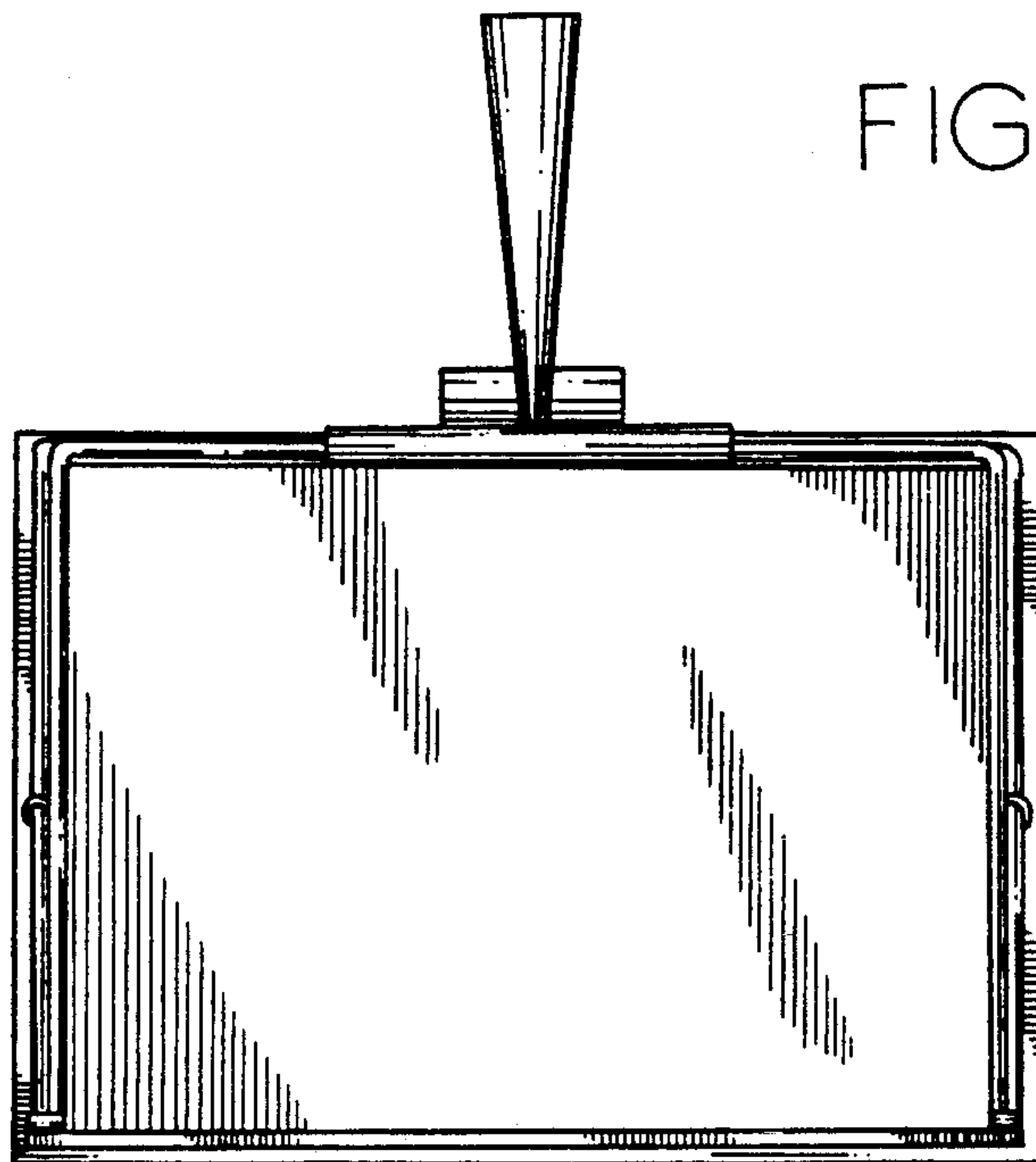


FIG. 5.

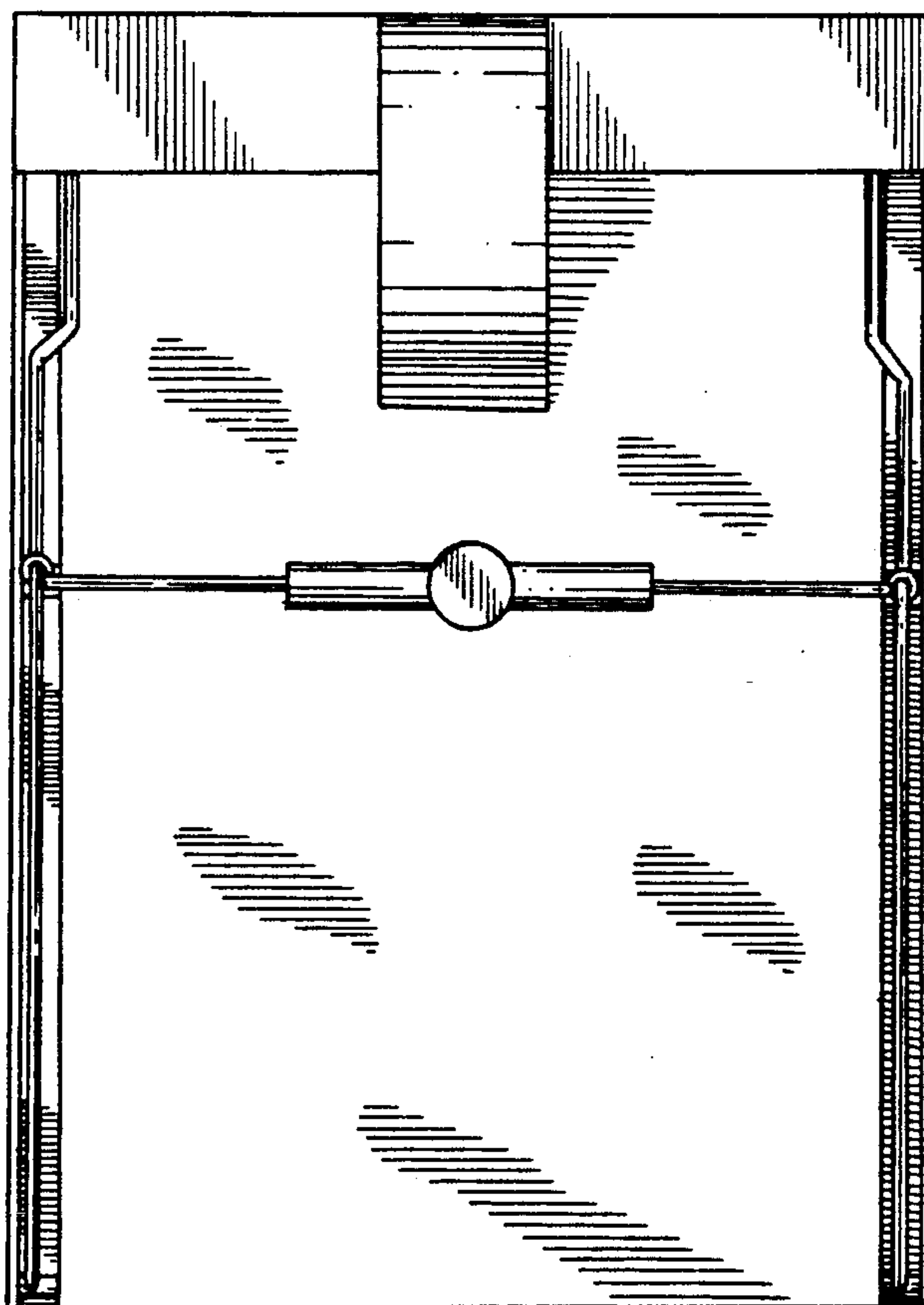


FIG. 6.

