



US00D333197S

United States Patent [19]

[11] Patent Number: **Des. 333,197**

Scheinberg et al.

[45] Date of Patent: **** Feb. 9, 1993**

[54] **MULTIPLE-COMPARTMENT WASTE CONTAINER CABINET**

[75] Inventors: **Sari Scheinberg; Sverker Alänge; Per Gyllenspetz**, all of Göteborg, Sweden

[73] Assignee: **Sari Scheinberg med Yes You Can**, Gothenburg, Sweden

[**] Term: **14 Years**

[21] Appl. No.: **692,521**

[22] Filed: **Apr. 29, 1991**

[30] **Foreign Application Priority Data**

Oct. 29, 1990 [SE]	Sweden	902318
Oct. 29, 1990 [SE]	Sweden	902319
[52] U.S. Cl.		D34/1; D6/446
[58] Field of Search		D34/1-11;
		220/908, 909, 23.86, 23.83, 503, 554; 232/43.2,
		1 R; D6/445, 446, 432; 312/211, 212

[56] **References Cited**

U.S. PATENT DOCUMENTS

3,556,619	9/1968	Bottas et al.	312/211
3,636,862	1/1972	Bottas et al.	100/45
3,922,046	11/1975	Schneider	312/211
4,047,775	9/1977	Wolbrink	312/211
5,076,458	12/1991	Weiner et al.	220/23.86

Primary Examiner—Kay H. Chin
Attorney, Agent, or Firm—Harness, Dickey & Pierce

[57] **CLAIM**

The ornamental design for multiple-compartment waste container cabinet, as shown and described.

DESCRIPTION

FIG. 1 is a front and left side perspective view of a multiple compartment waste container cabinet showing my new design;

FIG. 2 is a rear and right side perspective view thereof;

FIG. 3 is a top and front perspective view thereof with one waste container drawer in fully extended condition;

FIG. 4 is a left side elevational view thereof with waste container drawers in fully extended condition, the right side elevational view being a mirror image of that shown;

FIG. 5 is a front and left side perspective view of a second embodiment of the multiple-compartment waste container cabinet;

FIG. 6 is a rear and right side perspective view of FIG. 5;

FIG. 7 is a top and front perspective view of FIG. 5 with one waste container drawer in fully extended condition;

FIG. 8 is a left side elevational view of FIG. 5 with waste container drawers in fully extended condition;

FIG. 9 is a top, front and right side perspective view of waste container drawer, the cabinet is omitted for clarity of illustration;

FIG. 10 is a bottom, rear and left side perspective view of FIG. 9;

FIG. 11 is a top, front and left side perspective view of the tray for waste container drawer; and,

FIG. 12 is a bottom, rear and right side perspective view of FIG. 11.

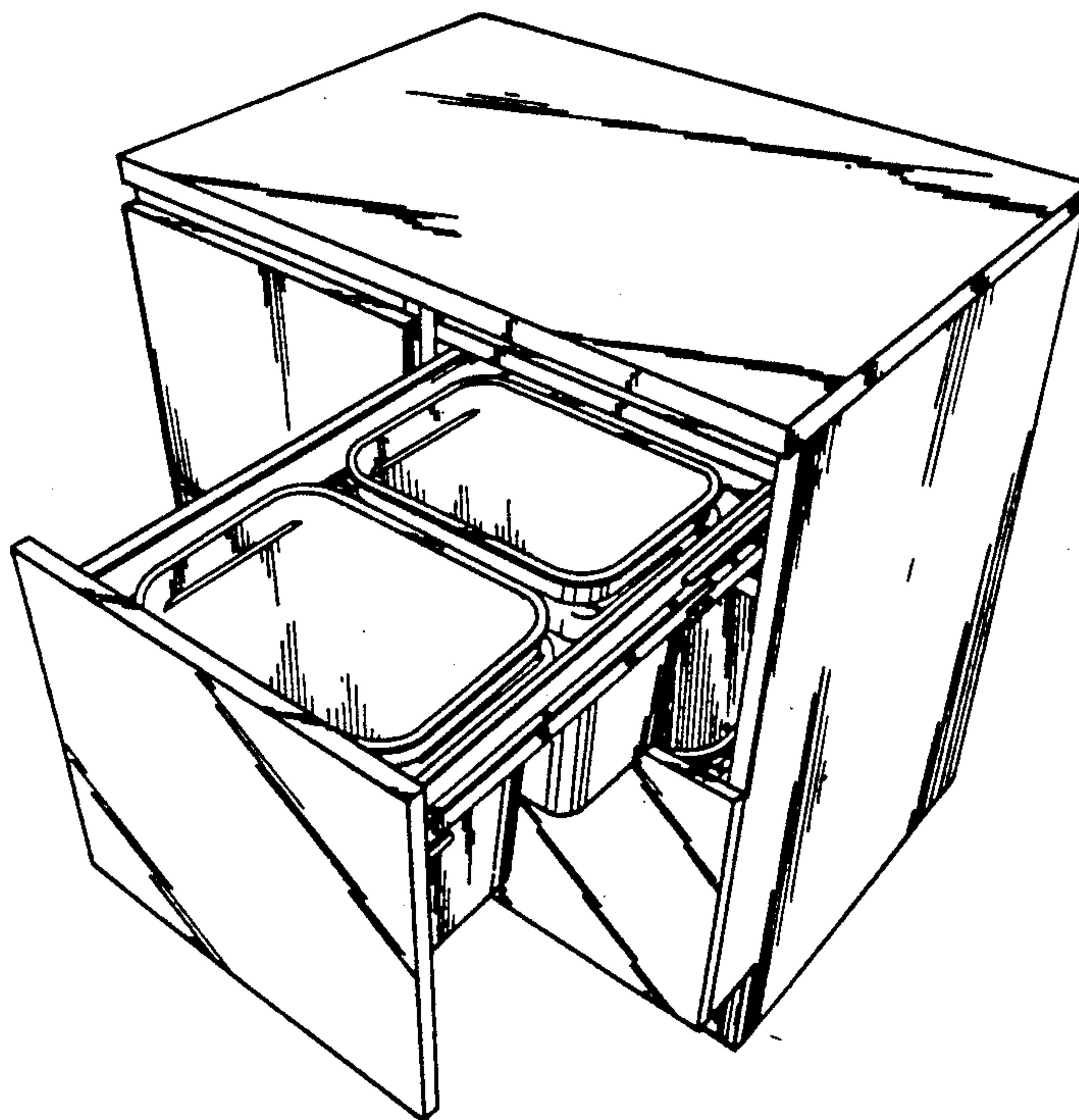


Fig. 2

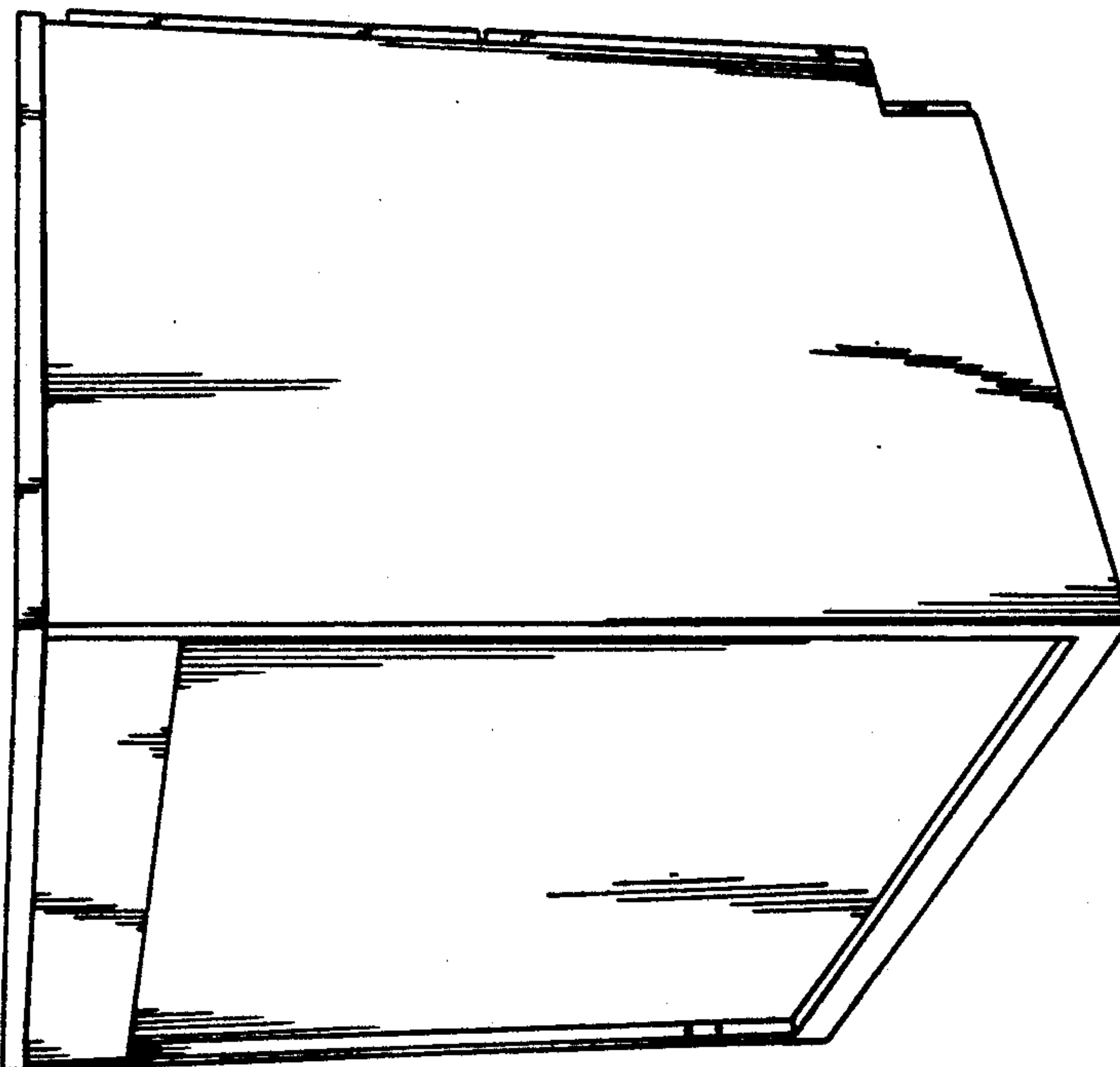


Fig. 1

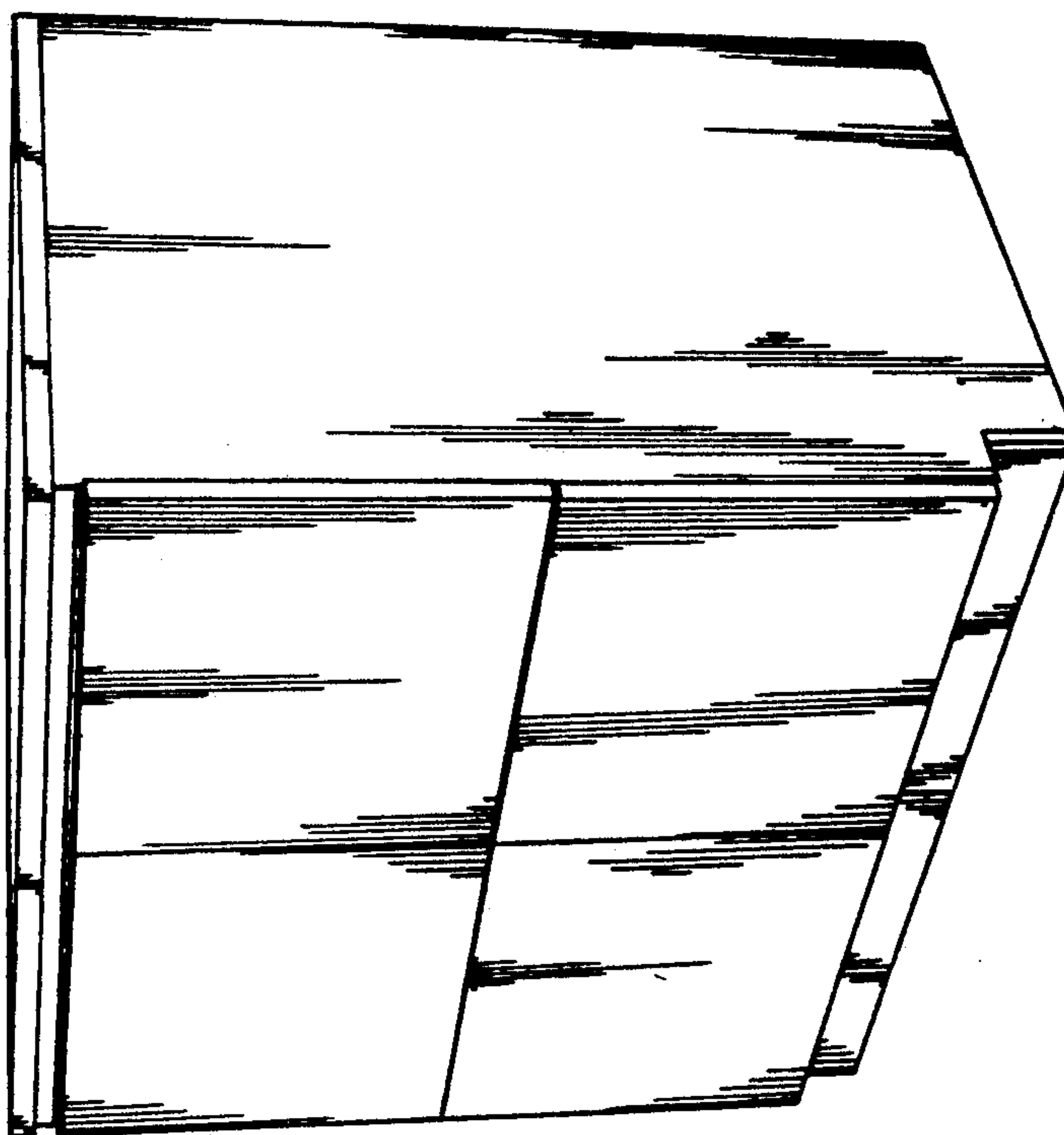


Fig. 3

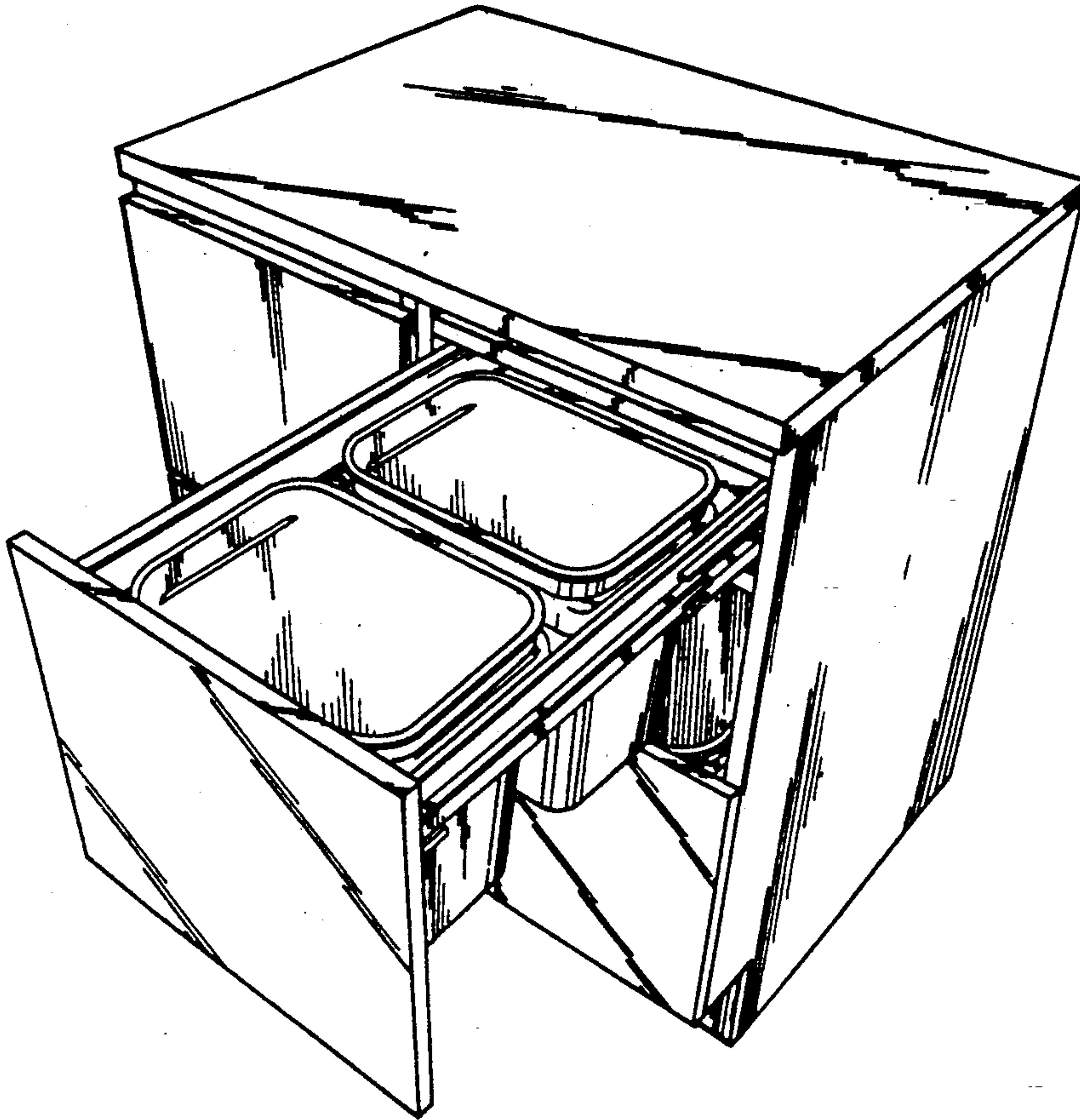


Fig. 4

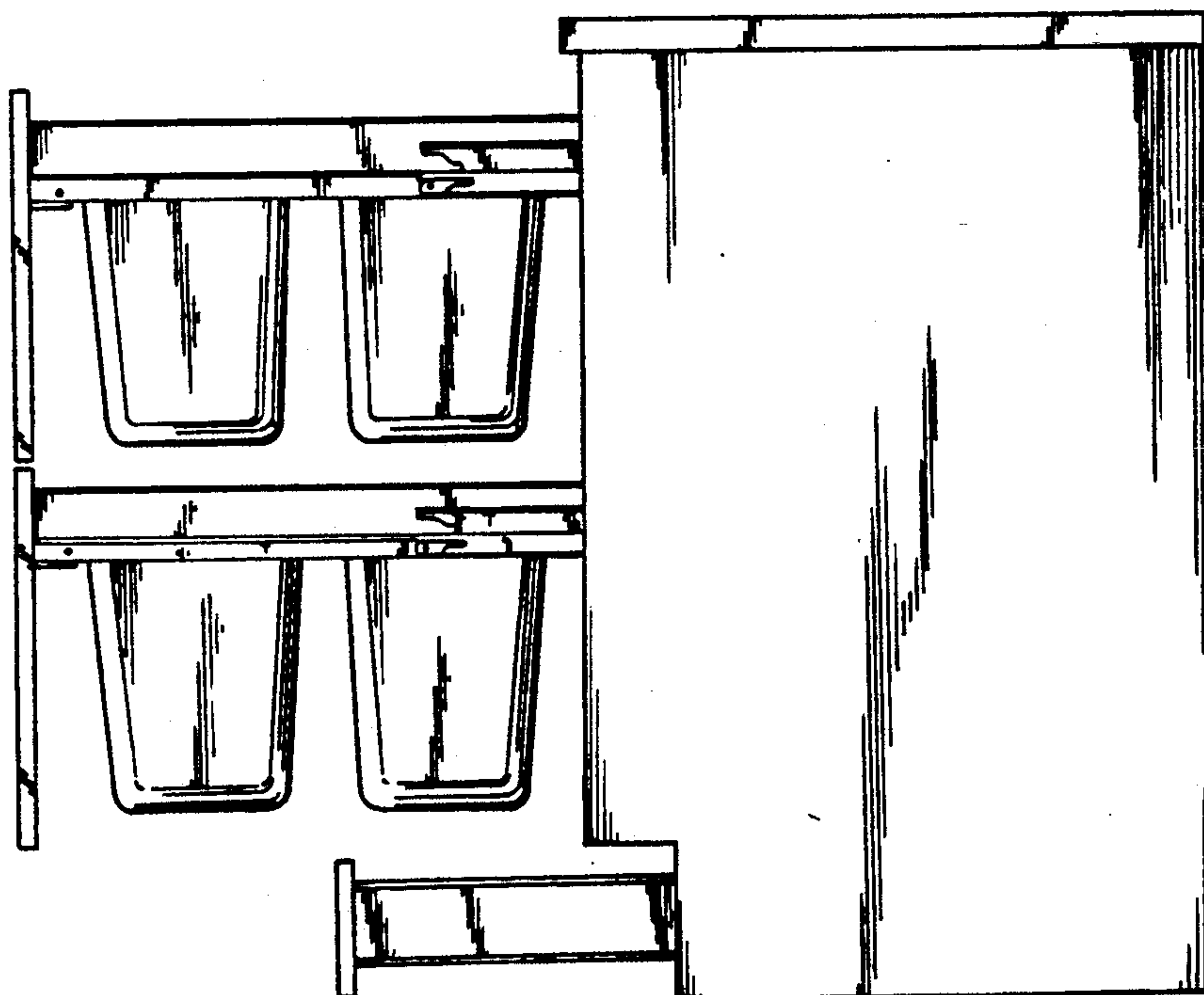


Fig.6

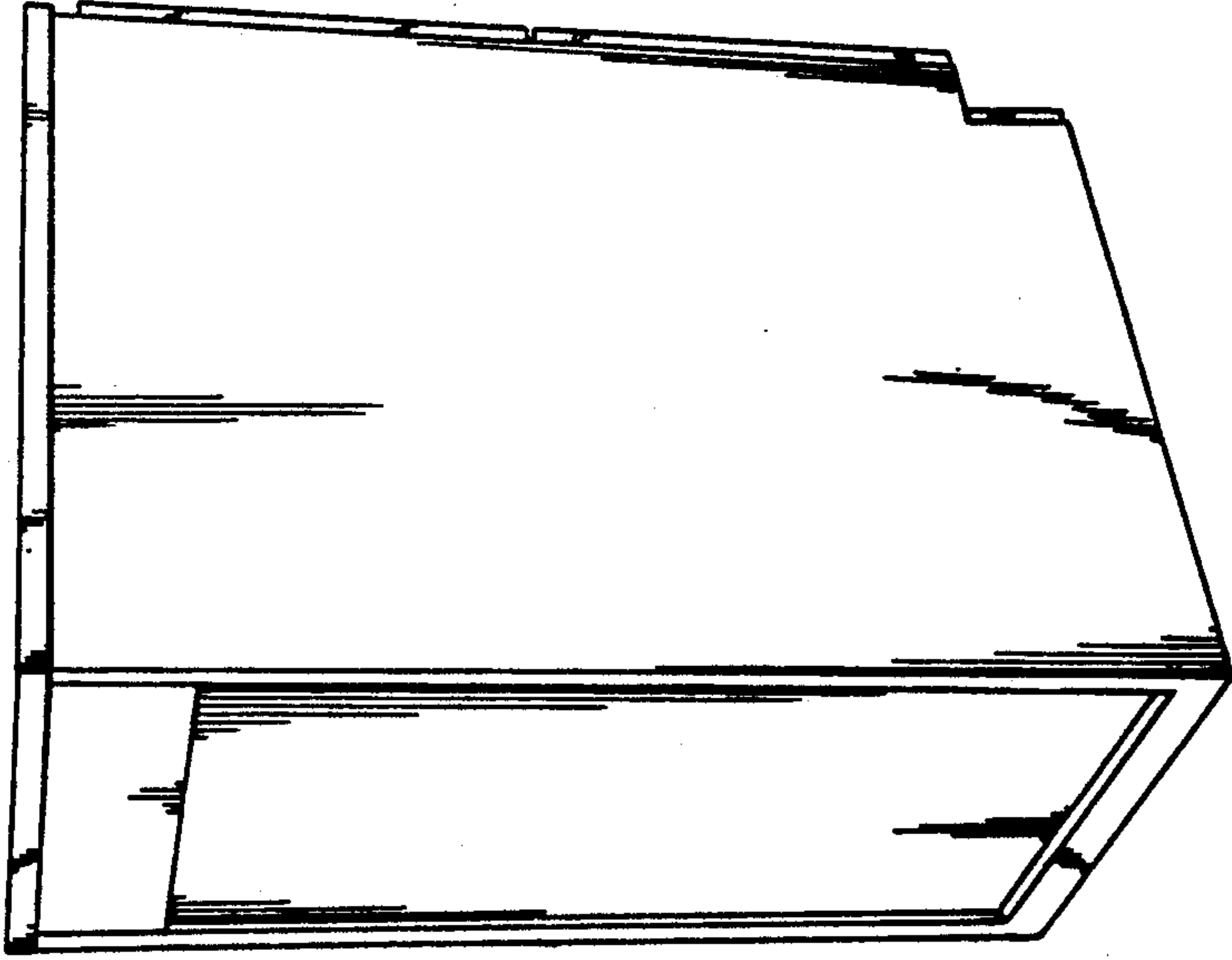


Fig.5

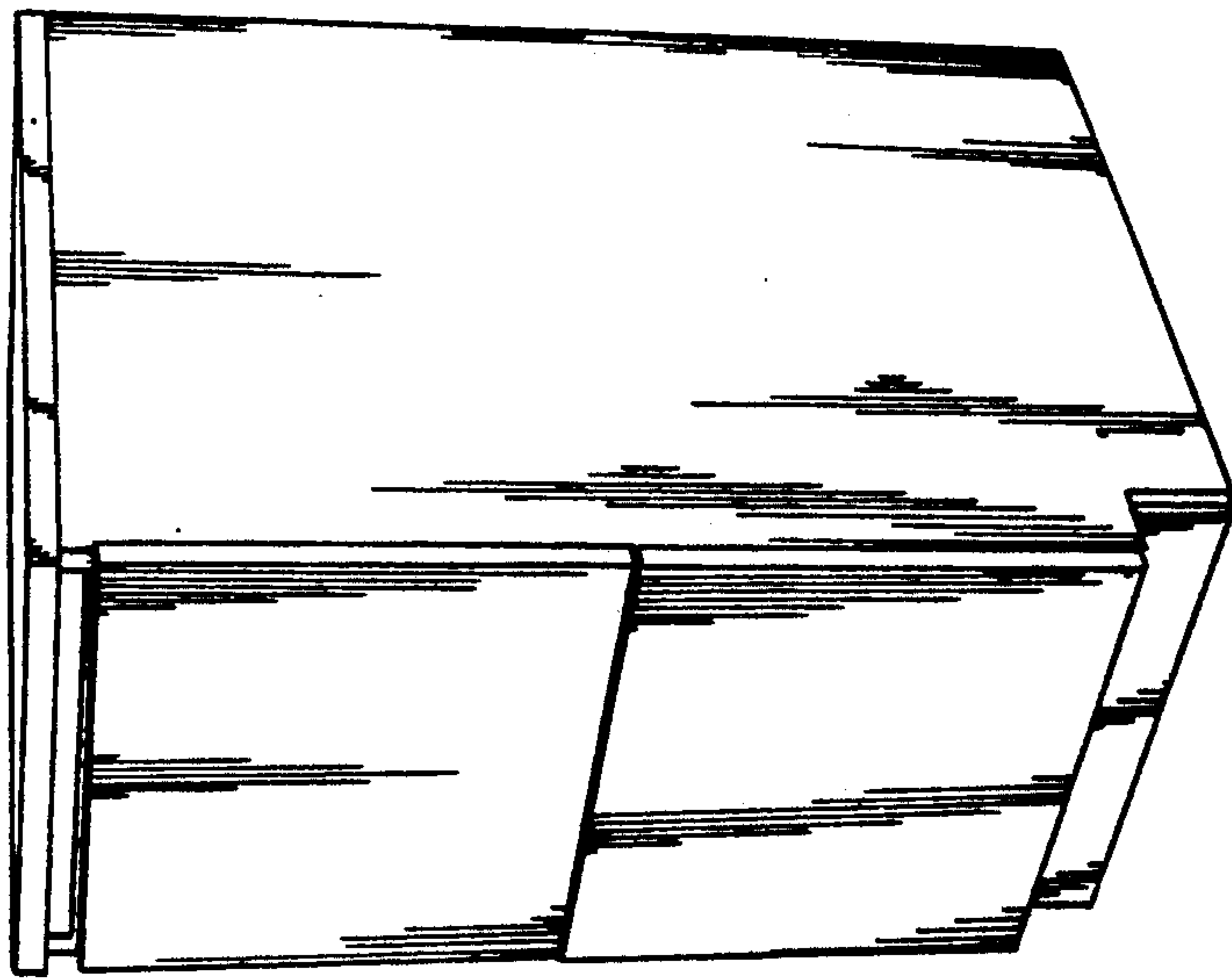


Fig.7

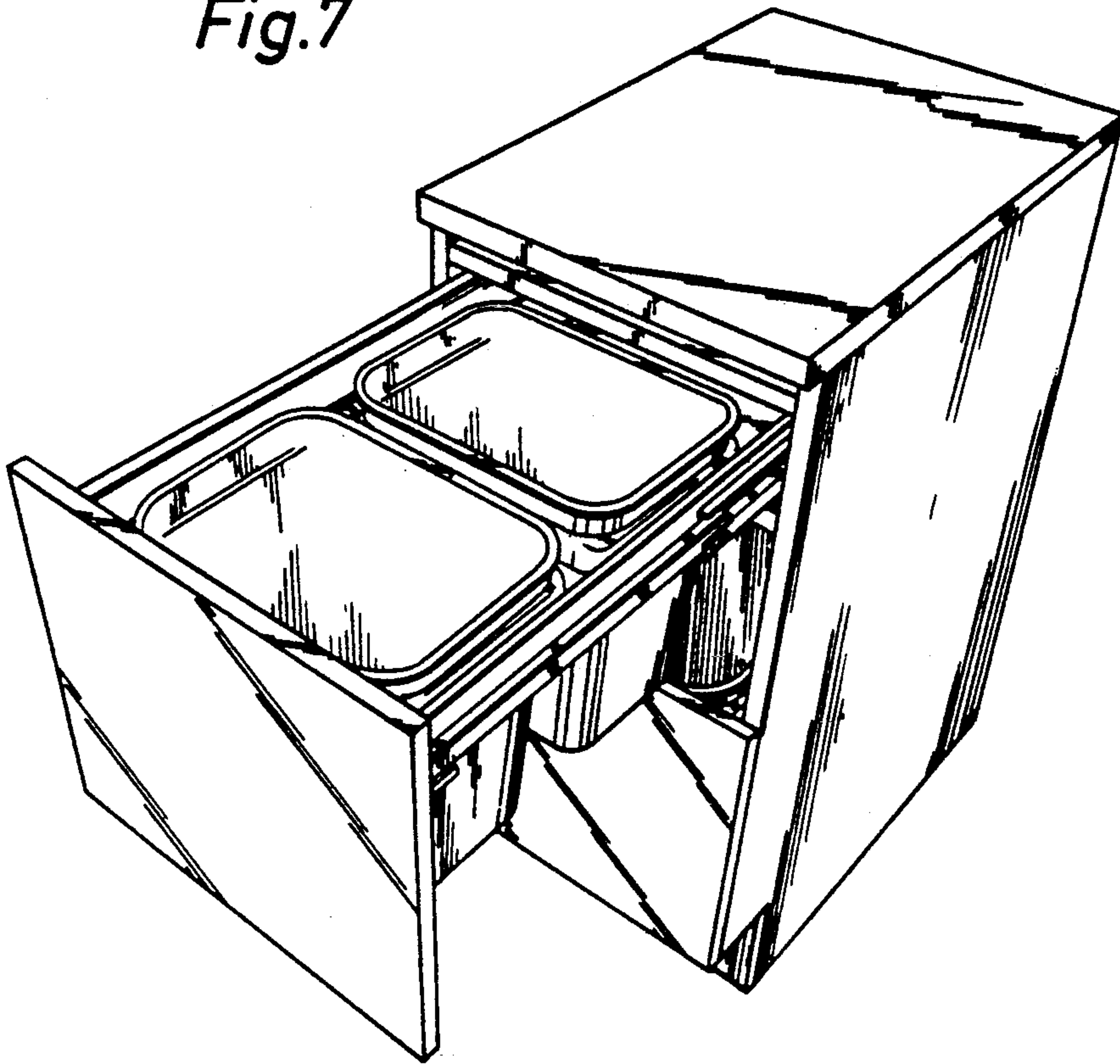


Fig.8

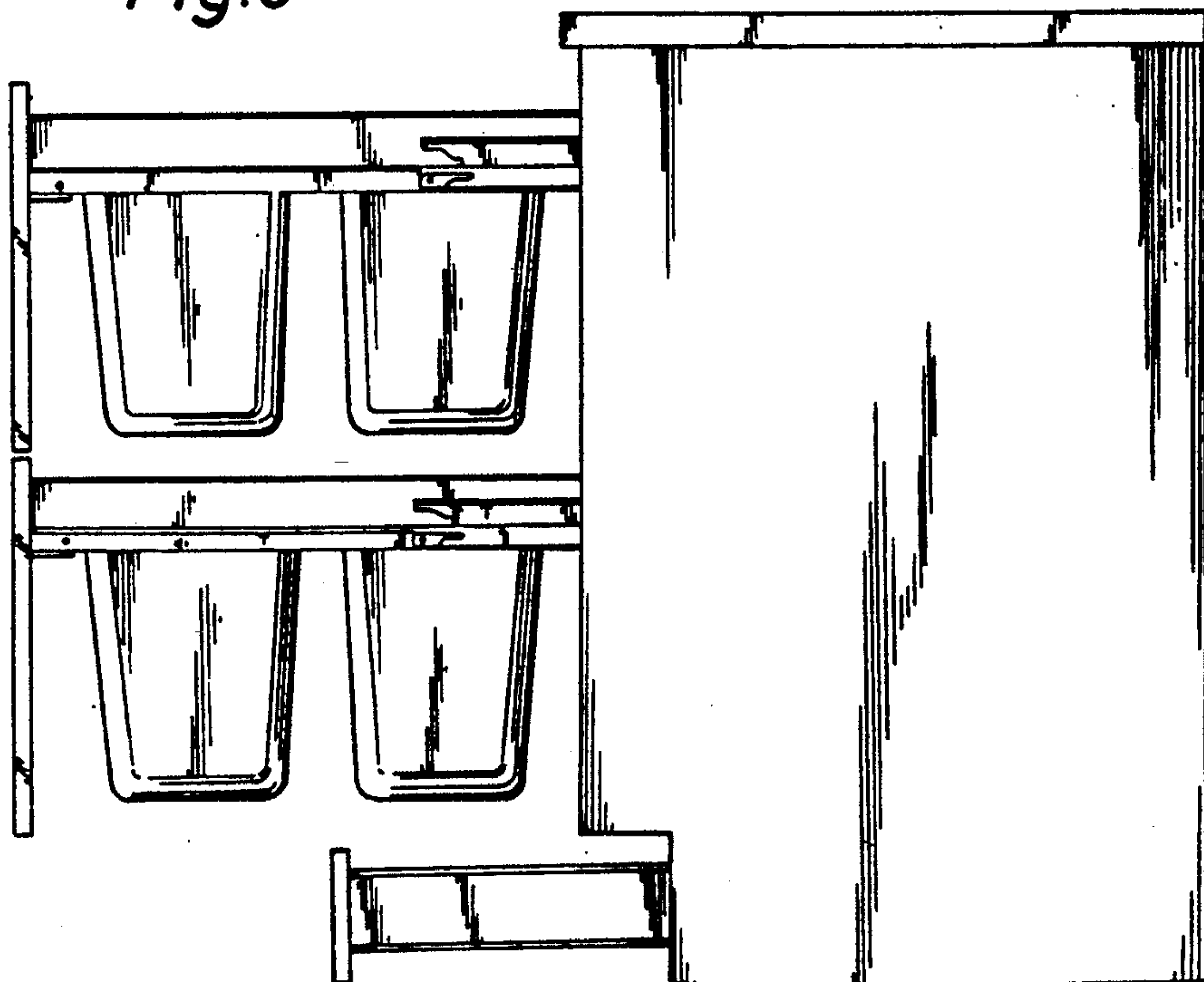


Fig.9

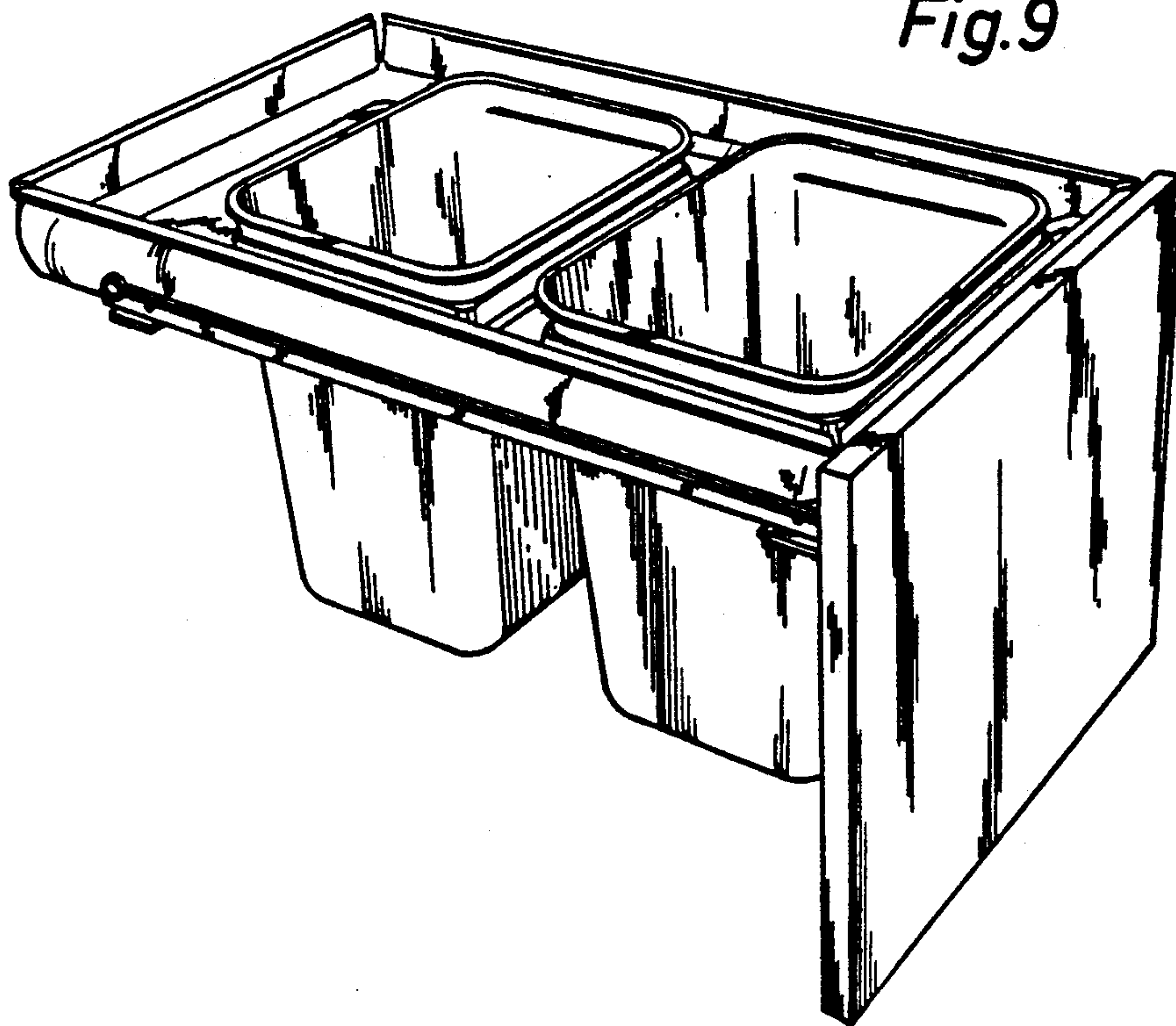


Fig.10

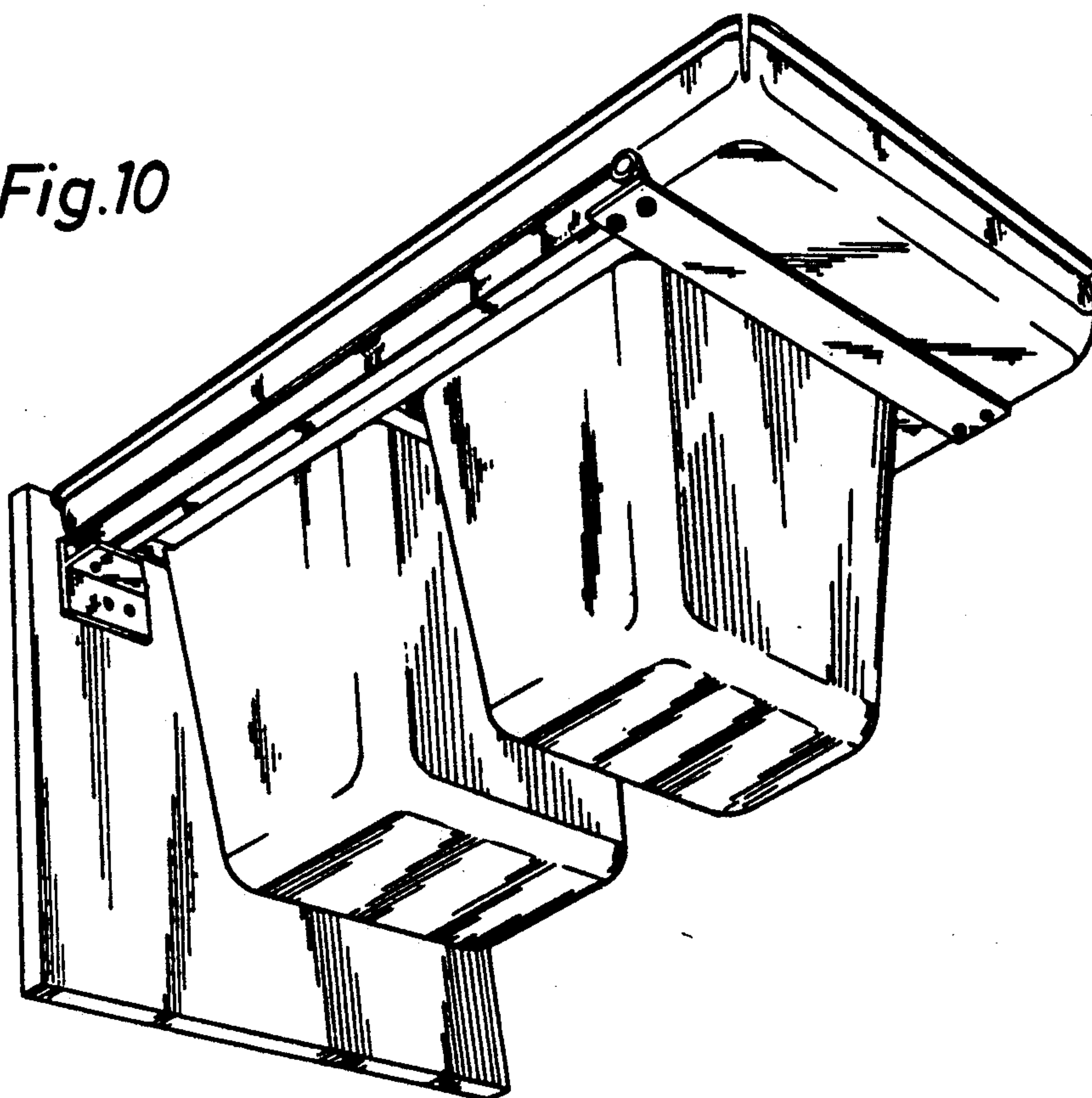


Fig.11

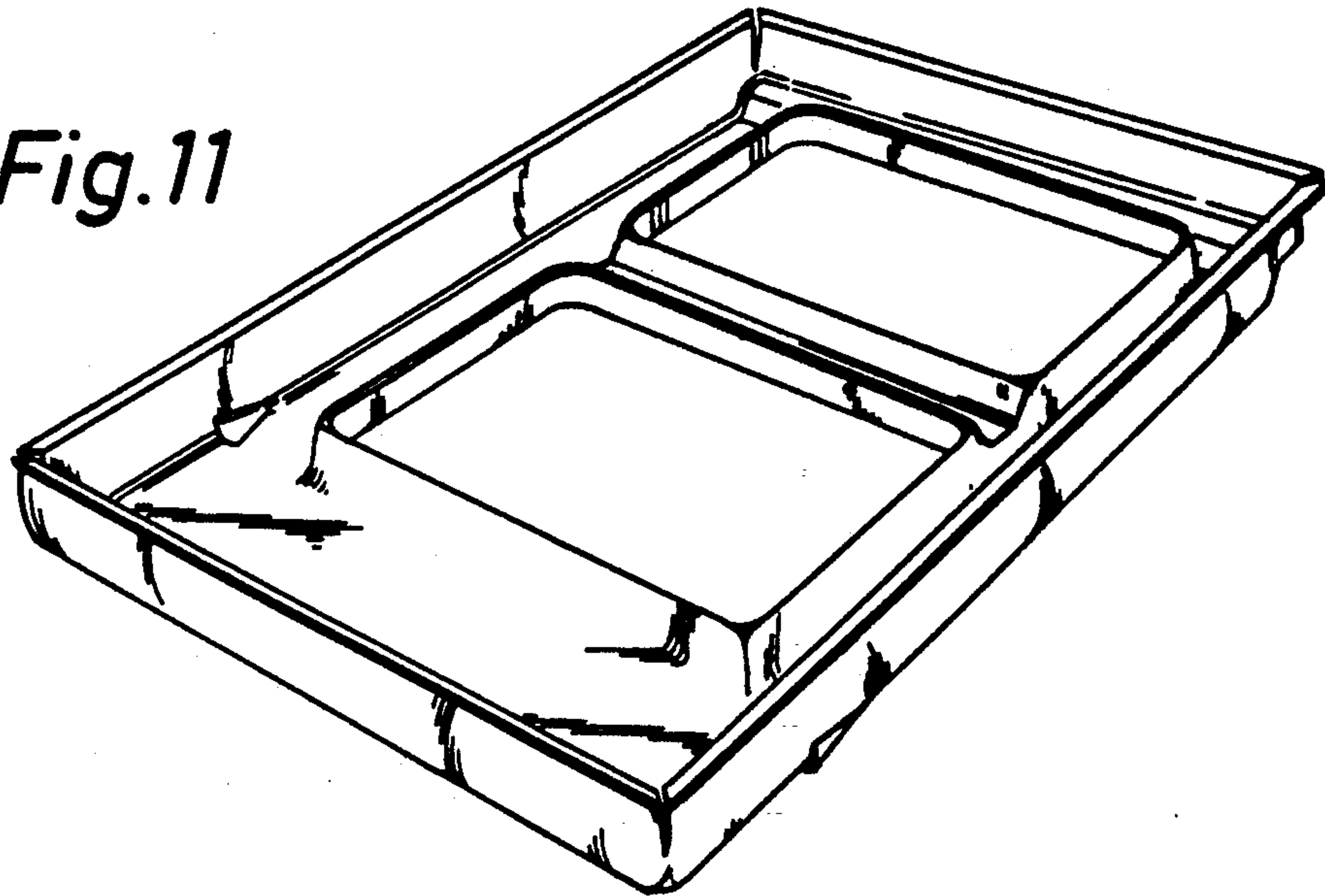


Fig.12

