



US00D333195S

# United States Patent [19]

[11] Patent Number: **Des. 333,195**

**Oberdorfer-Bogel**

[45] Date of Patent: **\*\* Feb. 9, 1993**

[54] **VACUUM CLEANER**

D. 224,624	8/1972	Walz et al.	.....	D32/23
D. 258,064	1/1981	Pearman, Jr.	.....	D32/23
D. 280,768	9/1985	Ferraris et al.	.....	D32/23
D. 296,945	7/1988	Erickson, Jr.	.....	D32/23

[75] Inventor: **Rainer Oberdorfer-Bogel,**  
Kirchberg/Iller, Fed. Rep. of  
Germany

*Primary Examiner*—A. Hugo Word  
*Assistant Examiner*—Ruth McInRoy  
*Attorney, Agent, or Firm*—Robbins, Dalgarn, Berliner &  
Carson

[73] Assignee: **Wap Reinigungssysteme GmbH &**  
Co., Fed. Rep. of Germany

[\*\*] Term: **14 Years**

[57] **CLAIM**

[21] Appl. No.: **524,098**

The ornamental design for a vacuum cleaner, as shown  
and described.

[22] Filed: **May 10, 1990**

[30] **Foreign Application Priority Data**

**DESCRIPTION**

Oct. 18, 1989 [DE] Fed. Rep. of Germany ..... 8997254

[52] U.S. Cl. .... **D32/23**

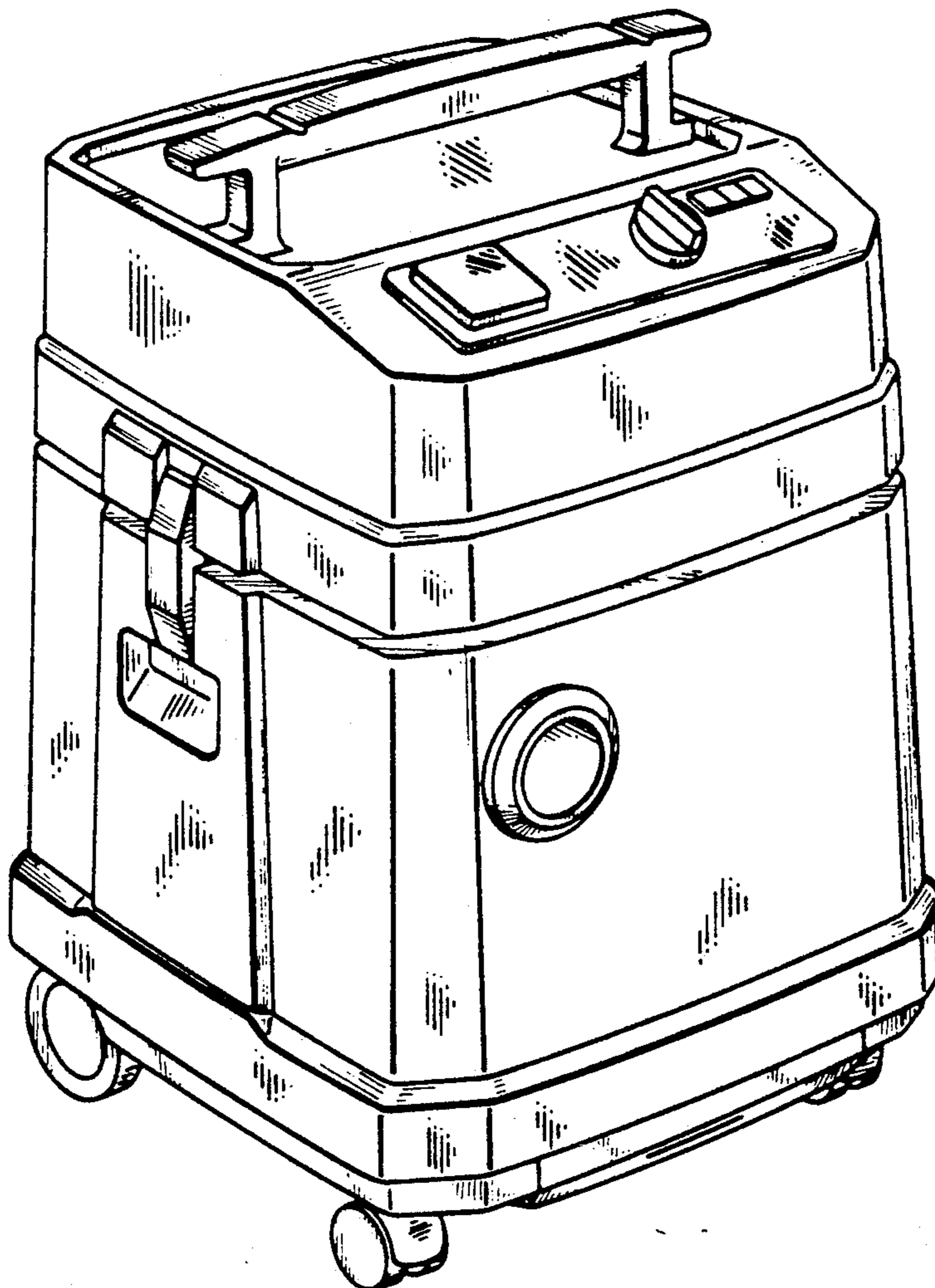
[58] Field of Search ..... D32/23, 24; 15/412,  
15/327.1, 327.2, 327.6, 327.7, 347

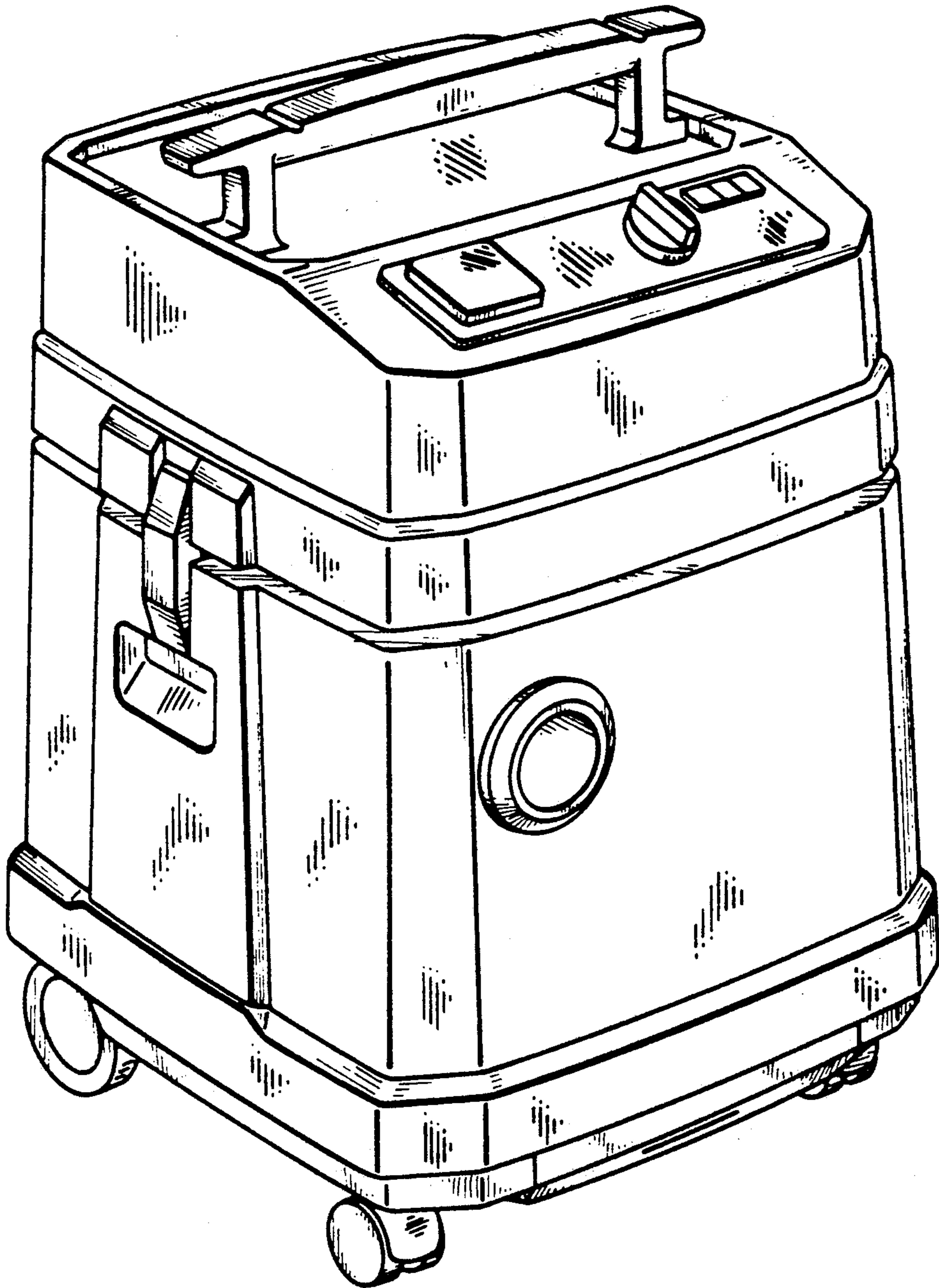
**FIG. 1** is a top, front and left side perspective view of a  
vacuum cleaner showing my new design;  
**FIG. 2** is a front elevational view thereof;  
**FIG. 3** is a rear elevational view thereof;  
**FIG. 4** is a left side elevational view thereof;  
**FIG. 5** is a top plan view thereof;  
**FIG. 6** is a right side elevational view thereof; and,  
**FIG. 7** is a bottom plan view thereof.

[56] **References Cited**

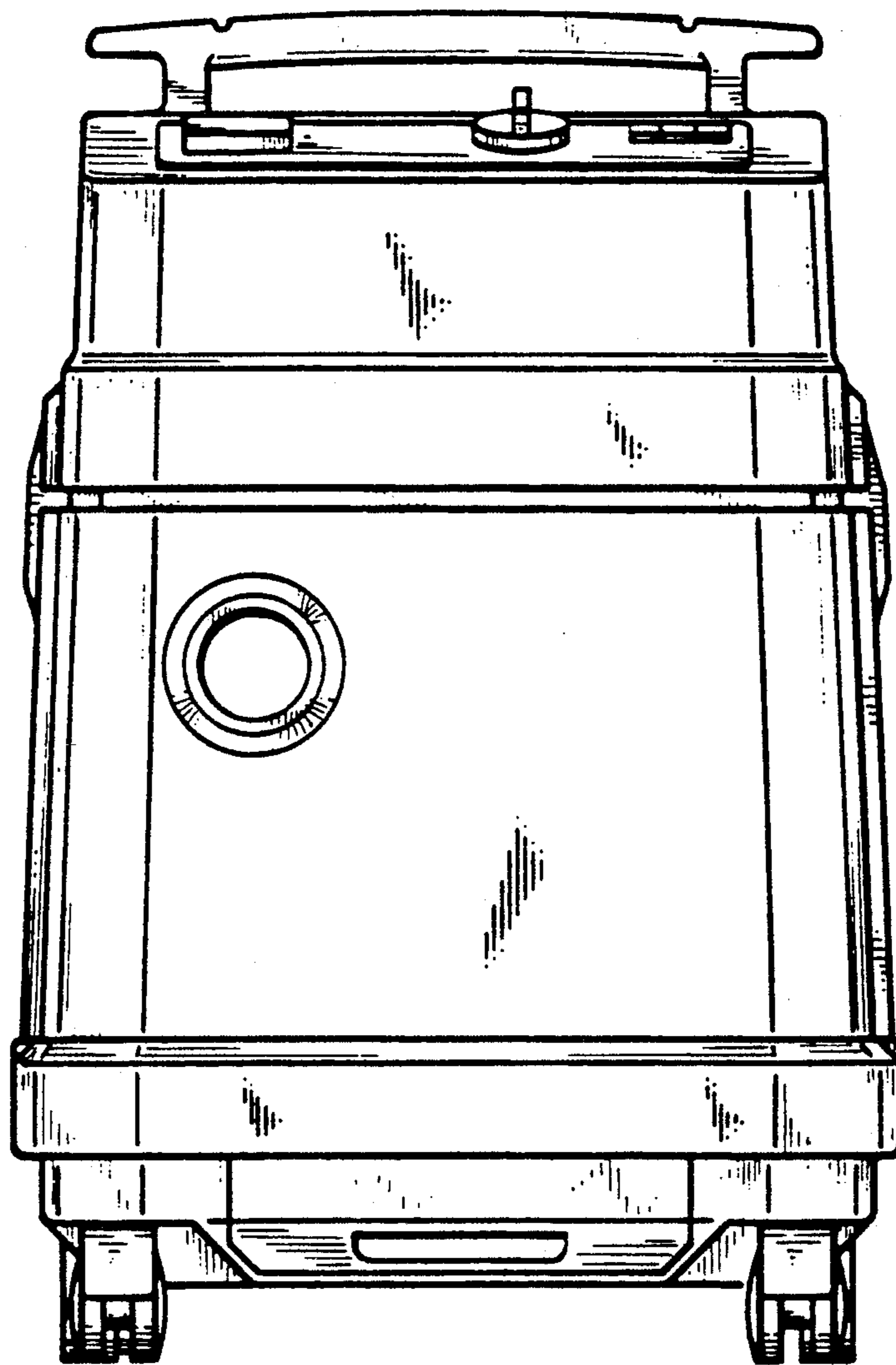
**U.S. PATENT DOCUMENTS**

D. 178,199 7/1956 Martinec ..... D32/23

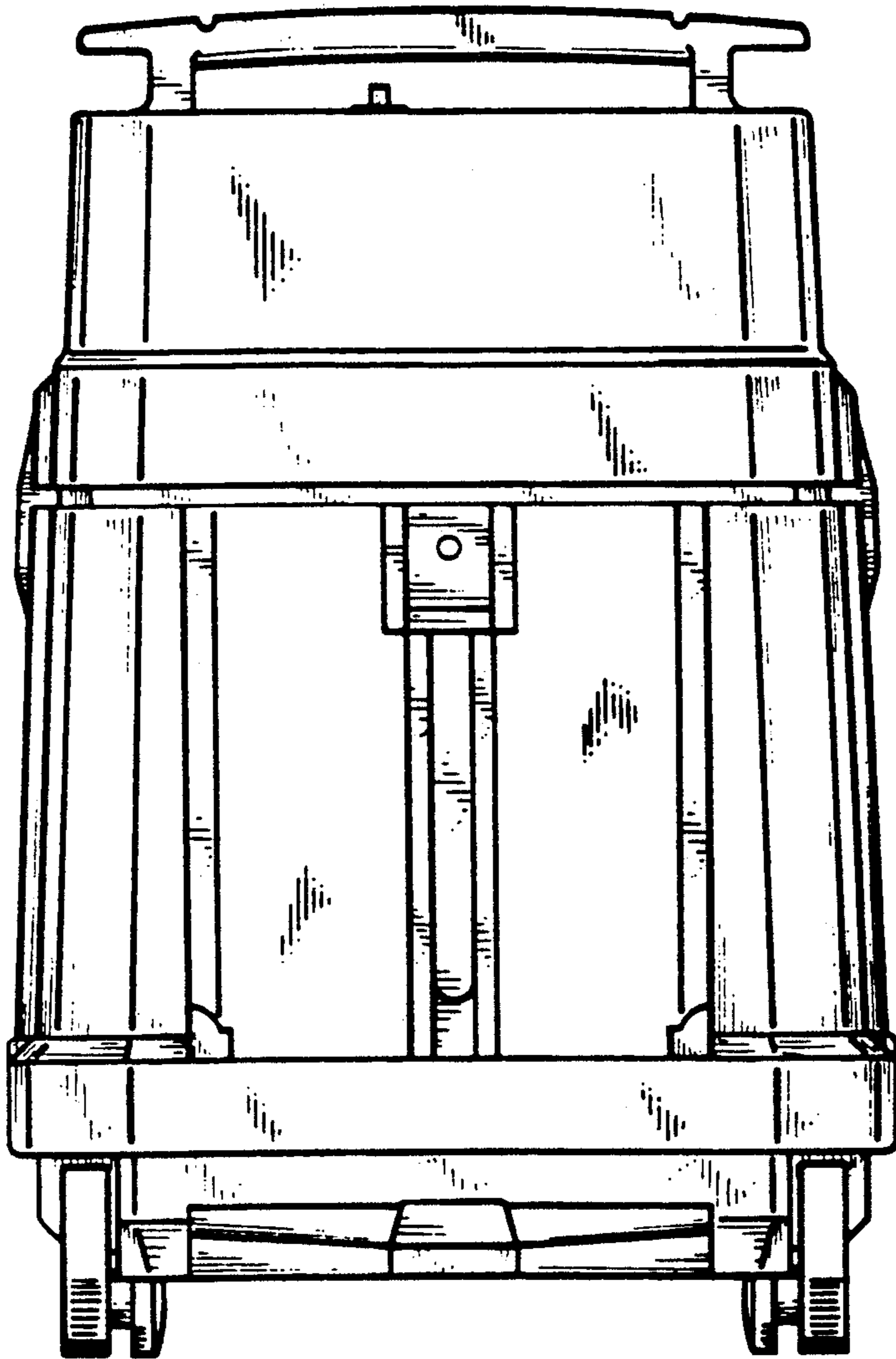




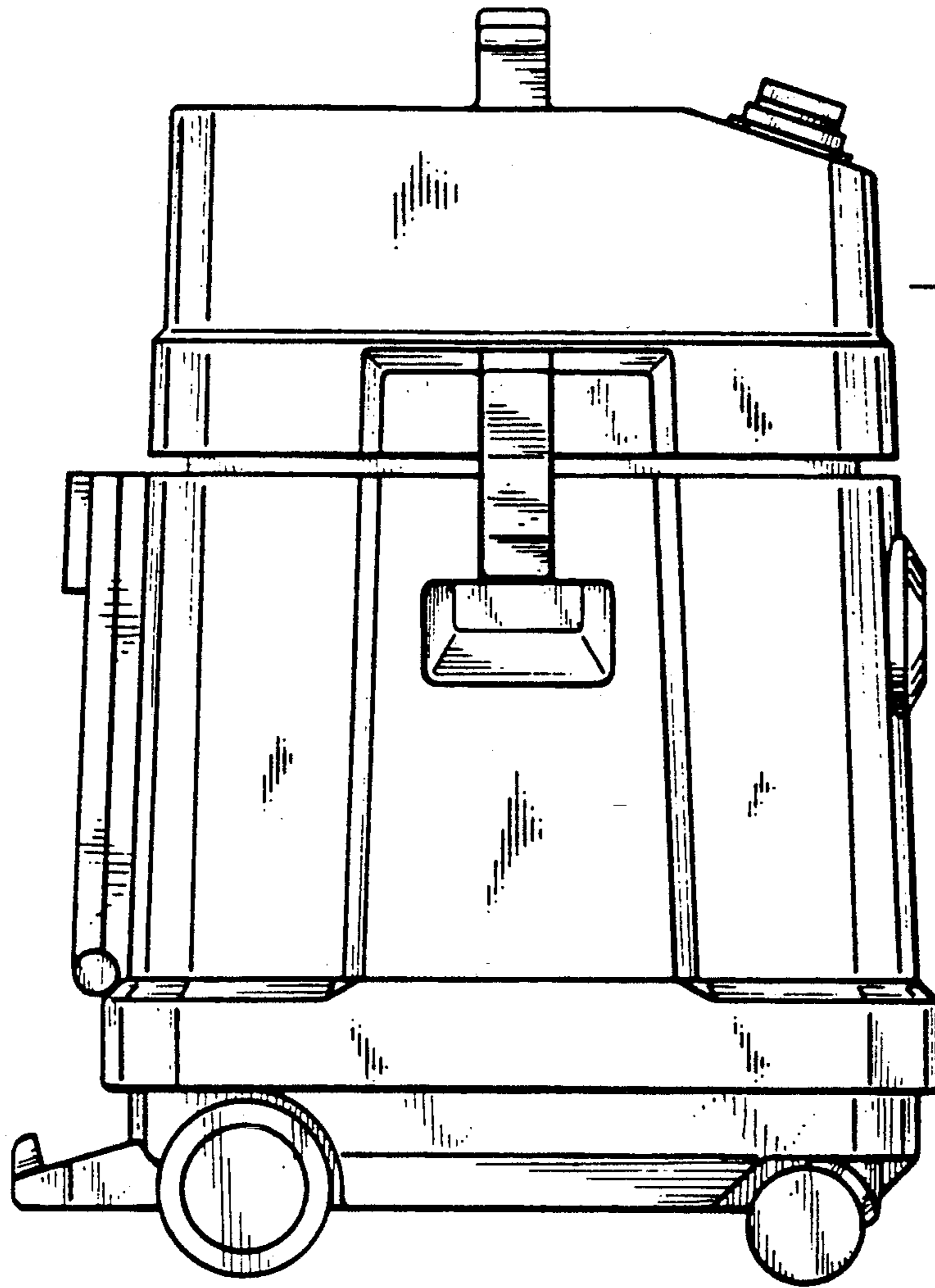
***Fig. 1***



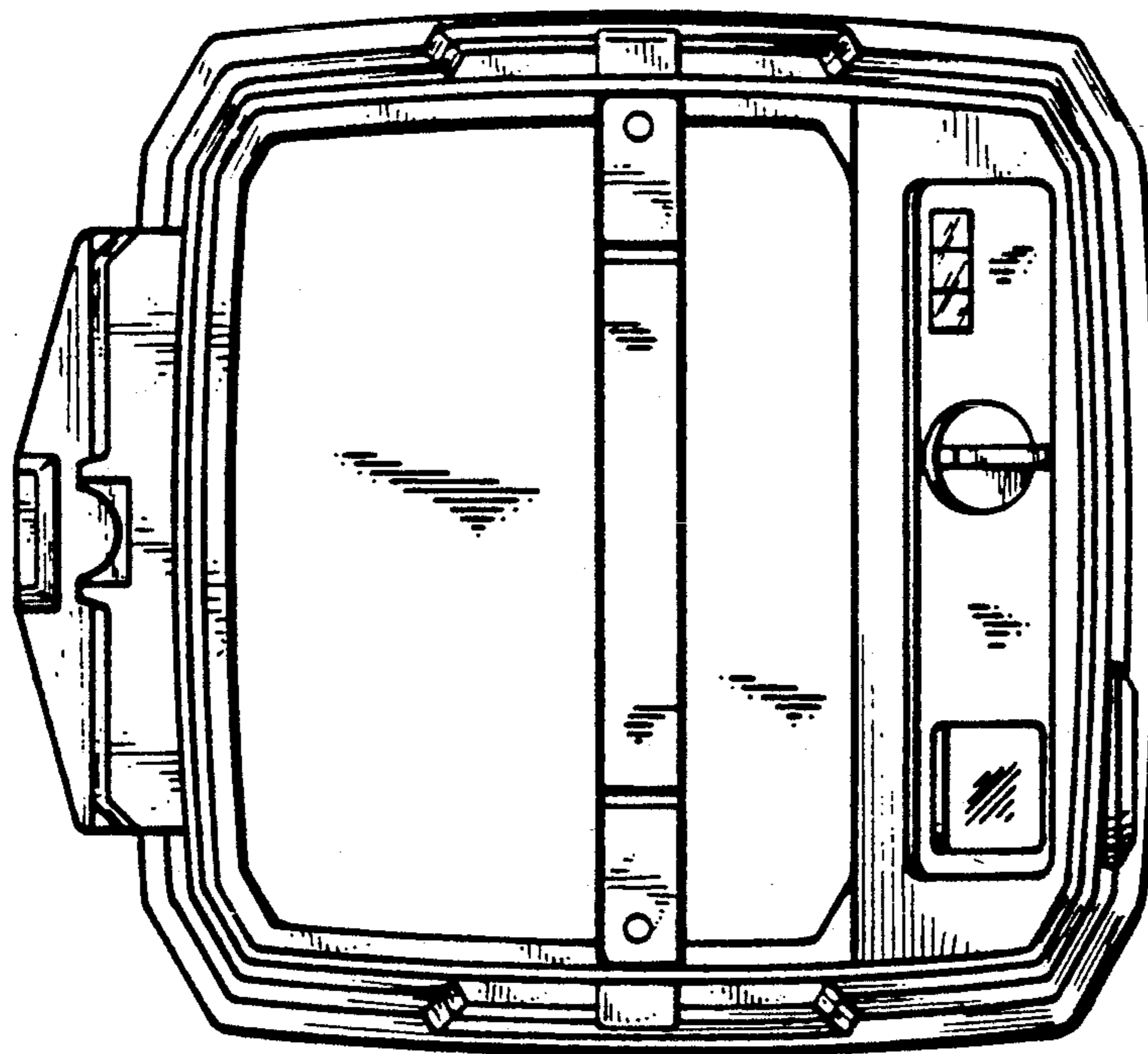
***Fig. 2***



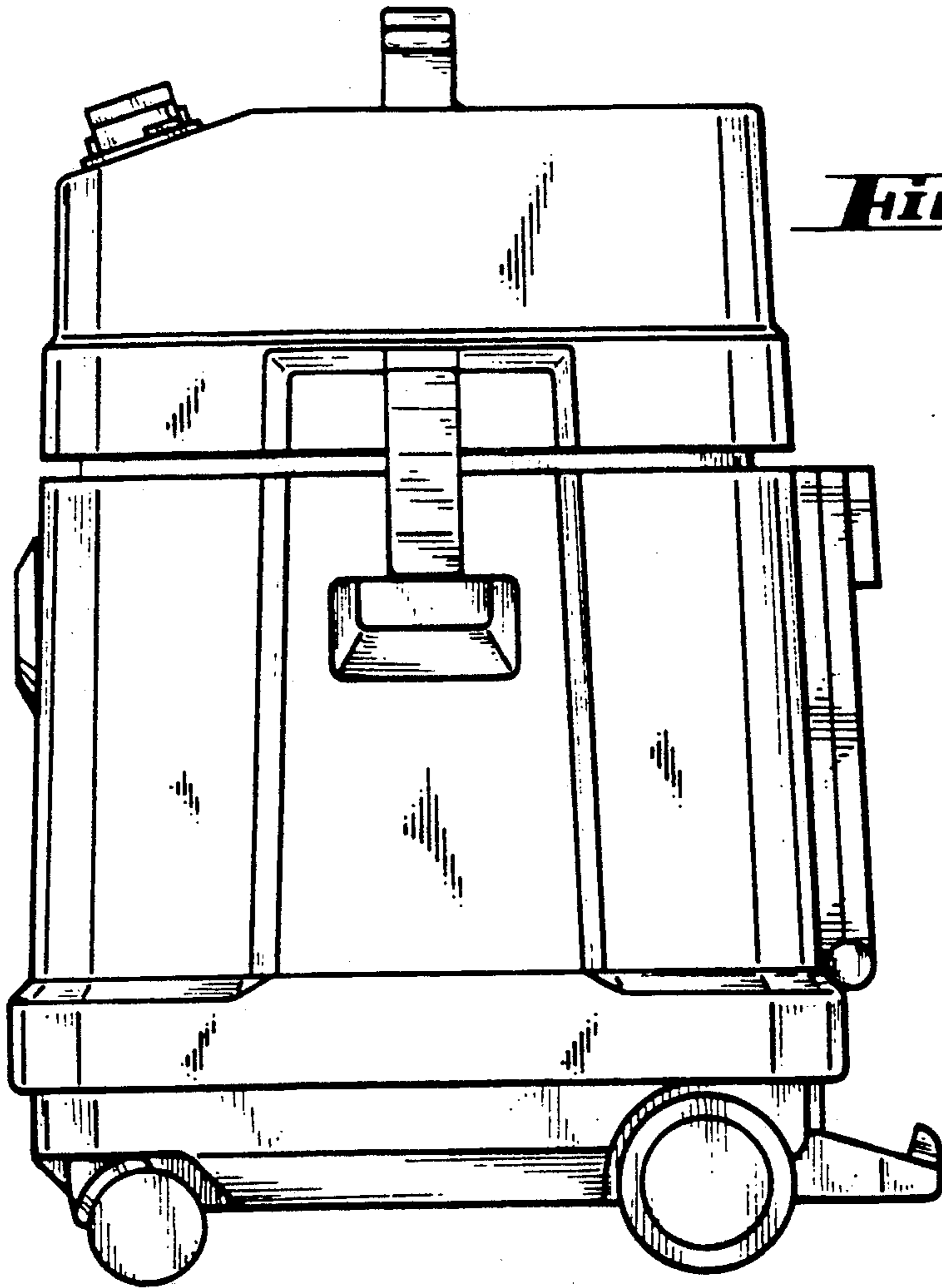
***Fig. 3***



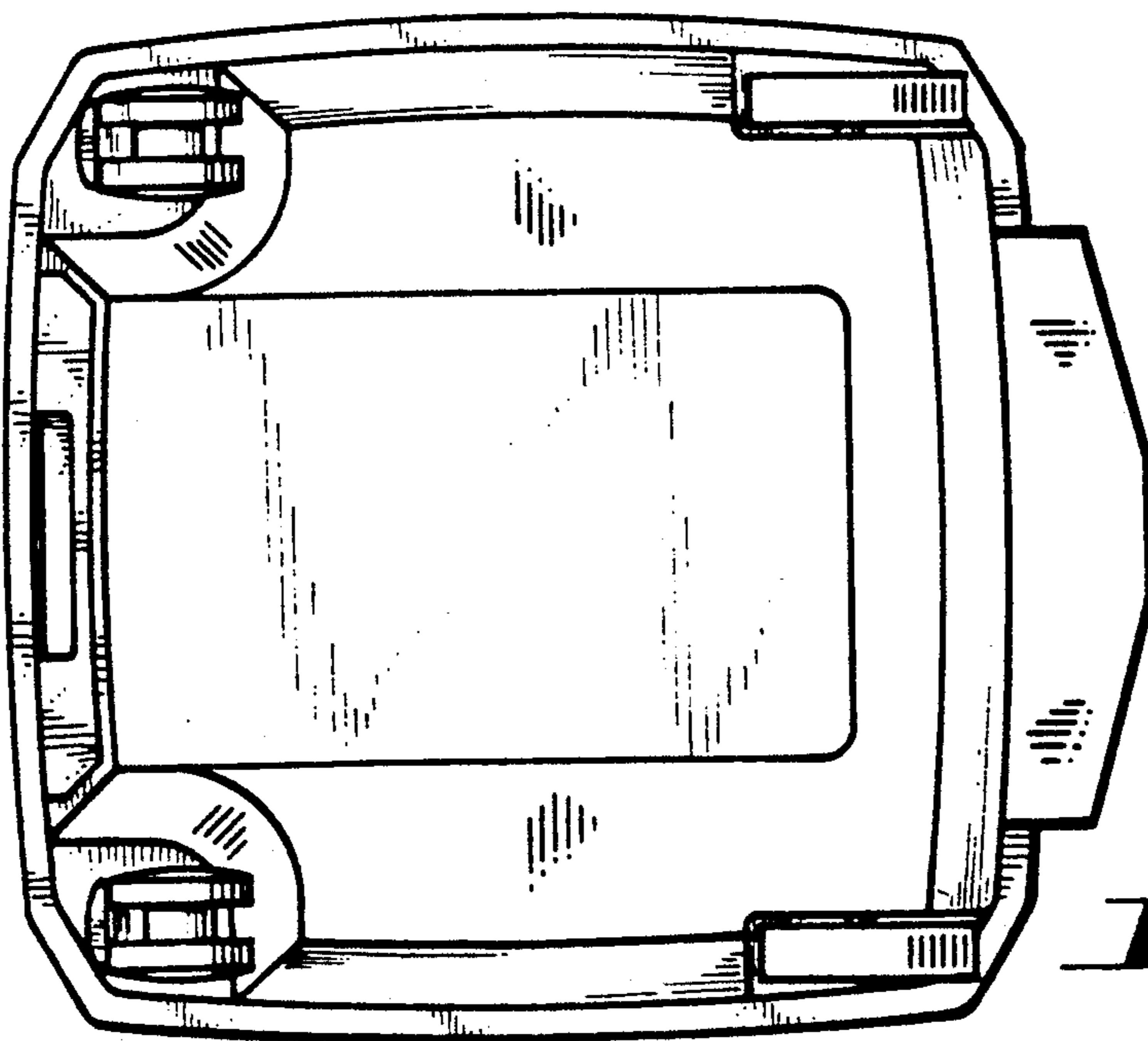
**Fig. 4**



**Fig. 5**



**Fig. 6**



**Fig. 7**