



US00D333193S

United States Patent [19]

Archambault

[11] Patent Number: **Des. 333,193**

[45] Date of Patent: **** Feb. 9, 1993**

[54] RESTRAINT DEVICE

[76] Inventor: **Thomas J. Archambault, 154 Archway, Brewster, Mass. 02631**

[**] Term: **14 Years**

[21] Appl. No.: **612,274**

[22] Filed: **Nov. 8, 1990**

[52] U.S. Cl. **D29/10; D24/207; D24/190**

[58] Field of Search **D29/10-11, D29/20, 99; D24/189-192, 207; 128/869, 870, 871, 876, 878**

[56] **References Cited**

U.S. PATENT DOCUMENTS

D. 254,214	2/1980	Leary	128/878
D. 263,640	4/1982	Nandorf	D29/11
D. 276,570	12/1984	Black	D29/20

3,086,529	4/1963	Munz et al.	128/878
3,474,781	10/1969	Gaylord	128/876
3,536,068	10/1970	Stubbs	128/878
4,354,503	10/1982	Golden	D24/165
4,396,013	8/1983	Hasslinger	128/876

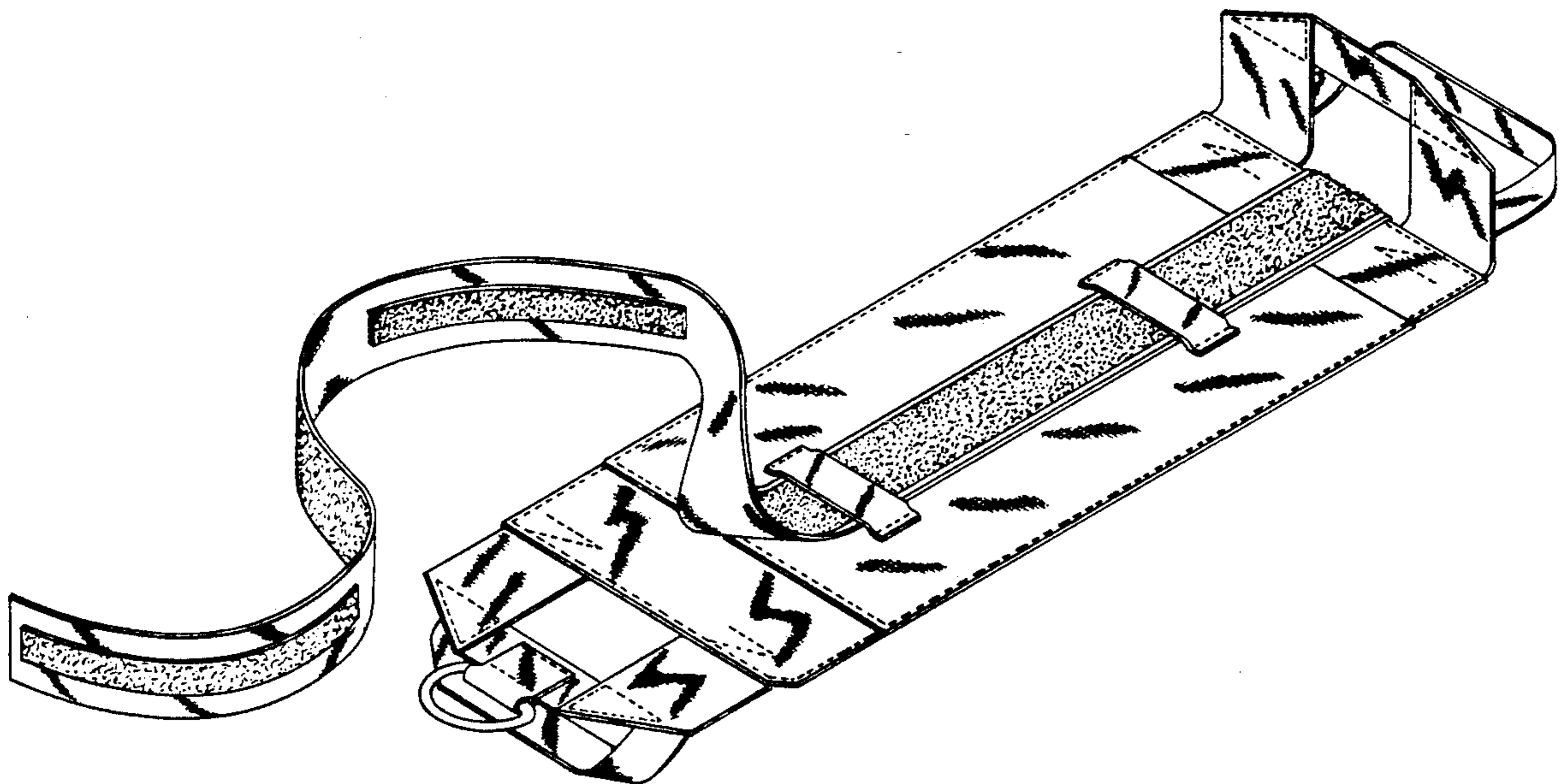
Primary Examiner—A. Hugo Word
Assistant Examiner—Ruth McInroy
Attorney, Agent, or Firm—Henderson & Sturm

[57] **CLAIM**

The ornamental design for a restraint device, as shown and described.

DESCRIPTION

FIG. 1 is a top perspective view of a restraint device showing my new design;
FIG. 2 is a top plan view thereof;
FIG. 3 is a bottom plan view thereof; and,
FIG. 4 is a right side elevational view thereof, the left side being a mirror image.



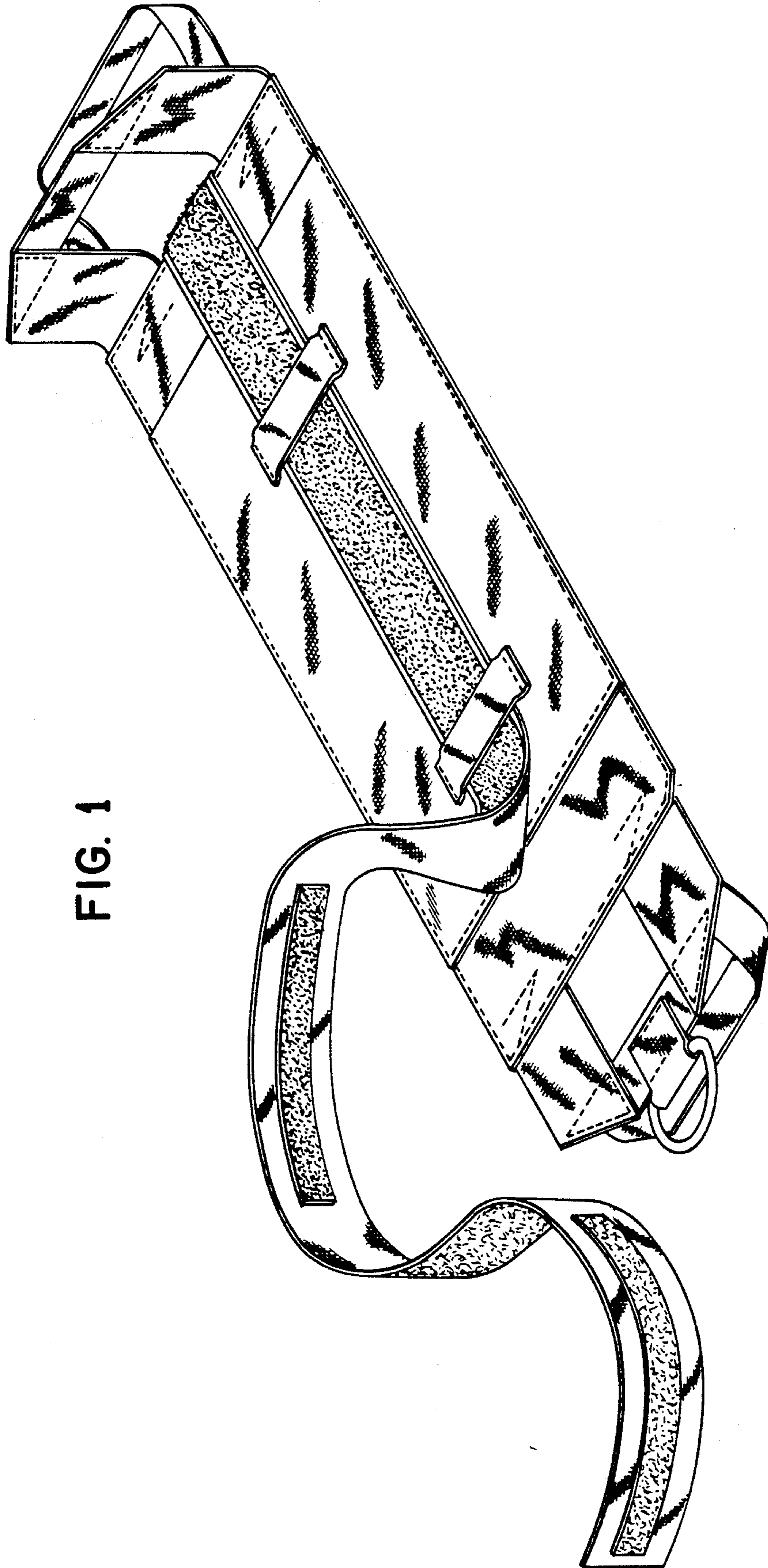


FIG. 1

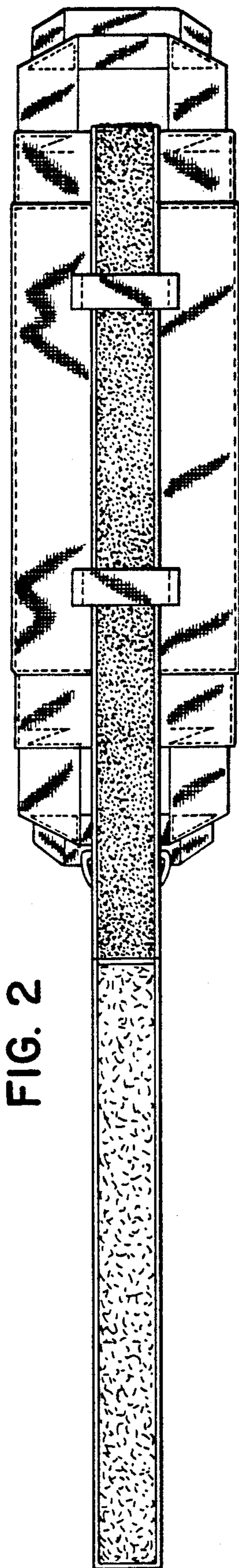


FIG. 2

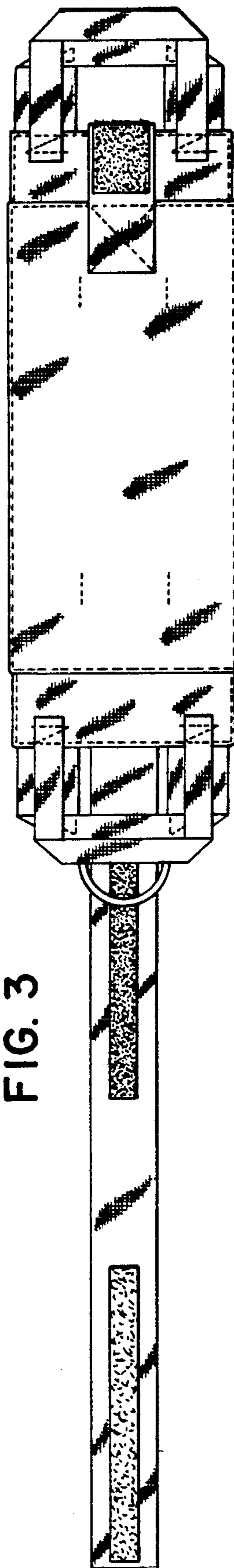


FIG. 3



FIG. 4