



US00D333187S

United States Patent [19]

[11] Patent Number: **Des. 333,187**

Omi

[45] Date of Patent: **** Feb. 9, 1993**

[54] **SPECIMEN HOLDER FOR MICROSCOPE**

3,416,853 12/1968 Pickett 359/398 X
3,522,672 8/1970 Hinds 40/364

[76] Inventor: **Shoichi Omi**, 1-6-15-915, Harumi,
Chou-ku, Tokyo, Japan

Primary Examiner—Stella Reid
Assistant Examiner—I. Simmons
Attorney, Agent, or Firm—Keck, Mahin & Cate

[**] Term: **14 Years**

[21] Appl. No.: **569,153**

[57] **CLAIM**

[22] Filed: **Aug. 17, 1990**

The ornamental design for a specimen holder for microscope, as shown and described.

[30] **Foreign Application Priority Data**

DESCRIPTION

Feb. 20, 1990 [JP] Japan 2-5339

[52] U.S. Cl. **D24/225; D16/136**

[58] Field of Search **D24/225, 224, 231, 232;**
D14/121; D10/81; D16/131, 136; 206/455,
456, 45.15; 359/291, 296

FIG. 1 is a top perspective view of a specimen holder for microscope showing my new design;
FIG. 2 is a bottom perspective view thereof;
FIG. 3 is a front elevational view thereof;
FIG. 4 is a rear elevational view thereof;
FIG. 5 is a top plan view thereof;
FIG. 6 is a bottom plan view thereof;
FIG. 7 is a right side elevational view thereof, the left side elevational view being a mirror image thereof;
FIG. 8 is a front elevational view thereof in extended position; and,
FIG. 9 is a top plan view thereof.

[56] **References Cited**

U.S. PATENT DOCUMENTS

- D. 189,701 1/1961 Thompson D14/121
- D. 195,746 7/1963 Nerwin D14/121
- D. 212,391 10/1968 Dietz D10/81 X
- D. 290,042 5/1987 Ford D24/225
- D. 320,448 10/1991 Short D24/225

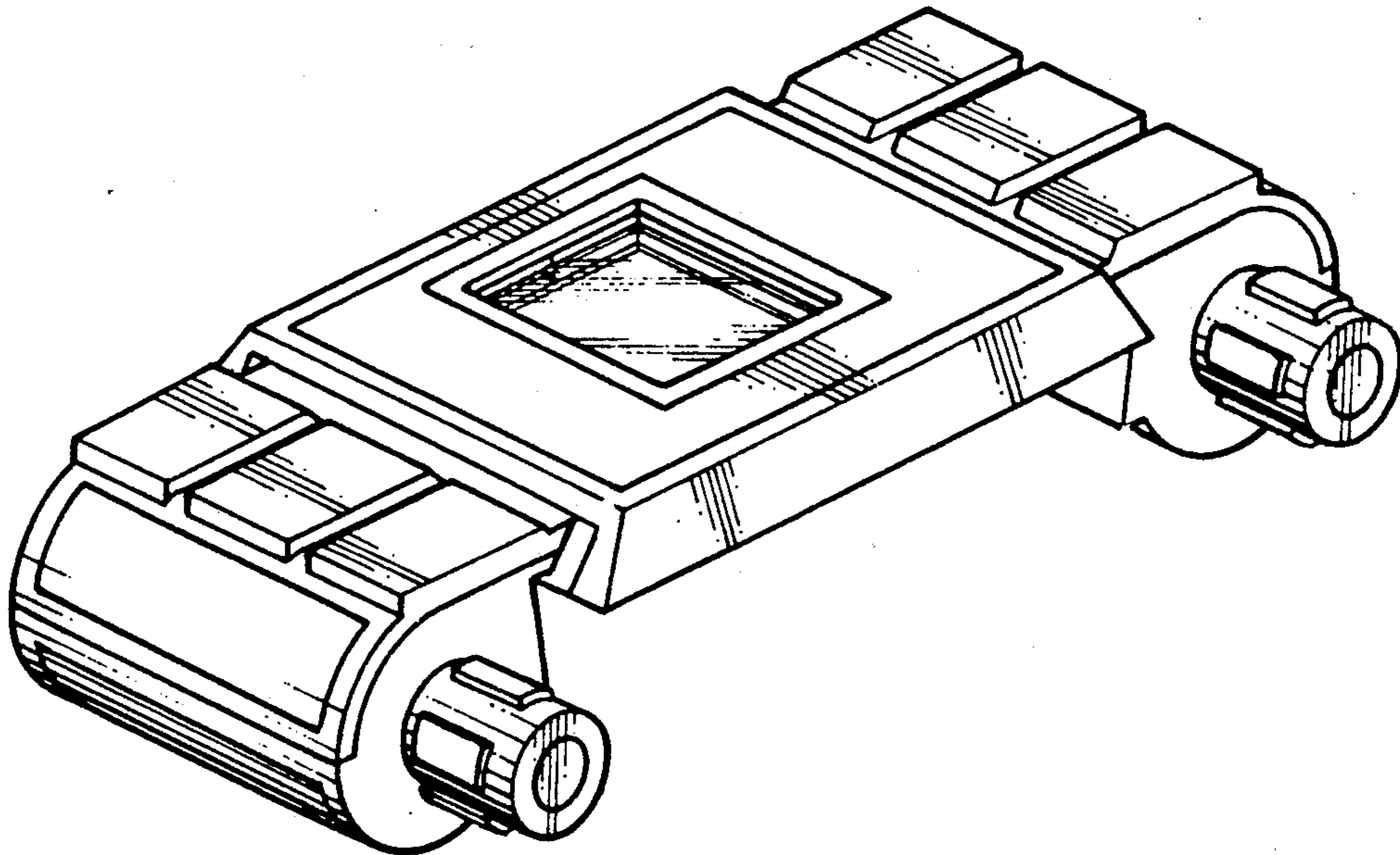


FIG. 1

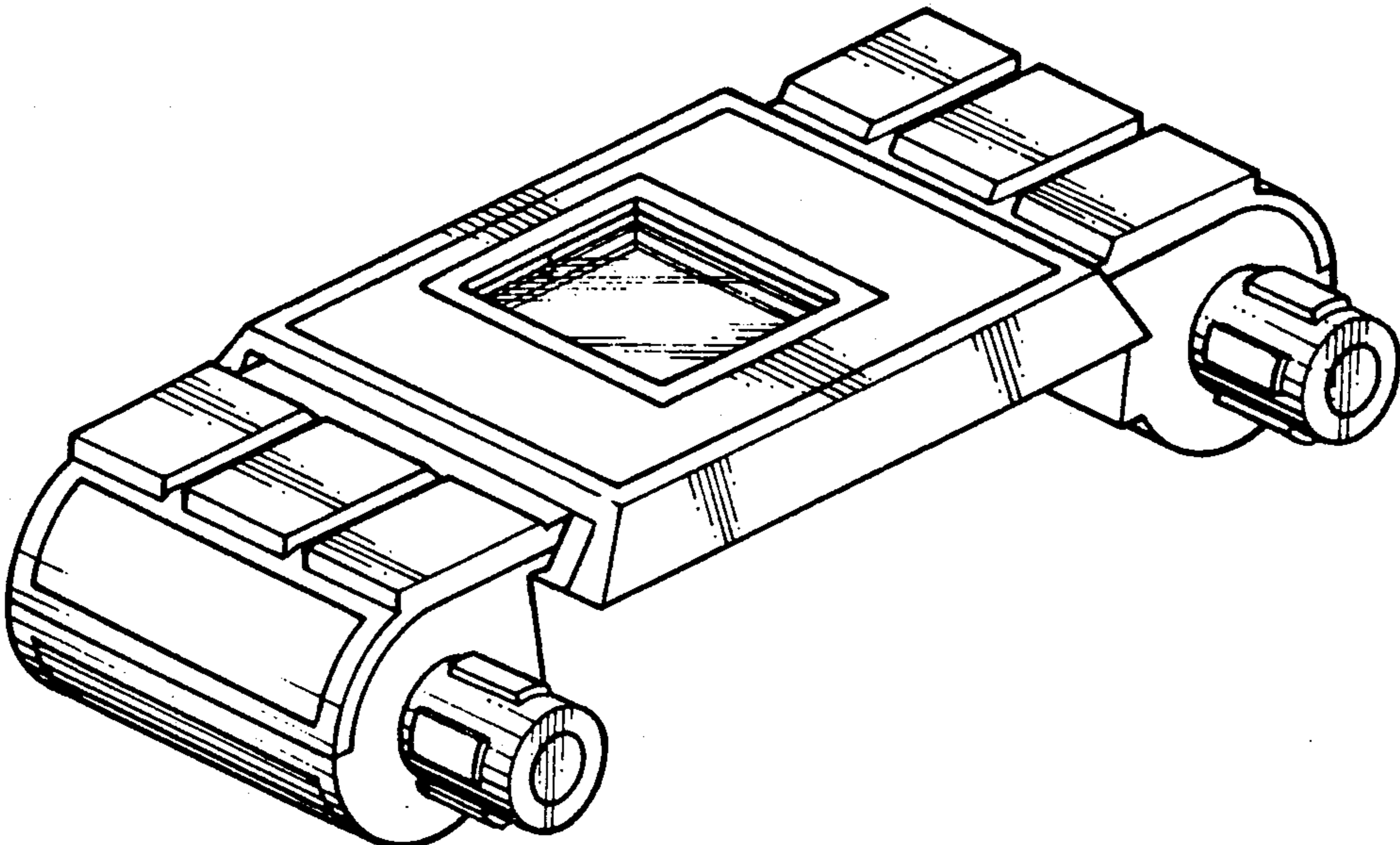


FIG. 2

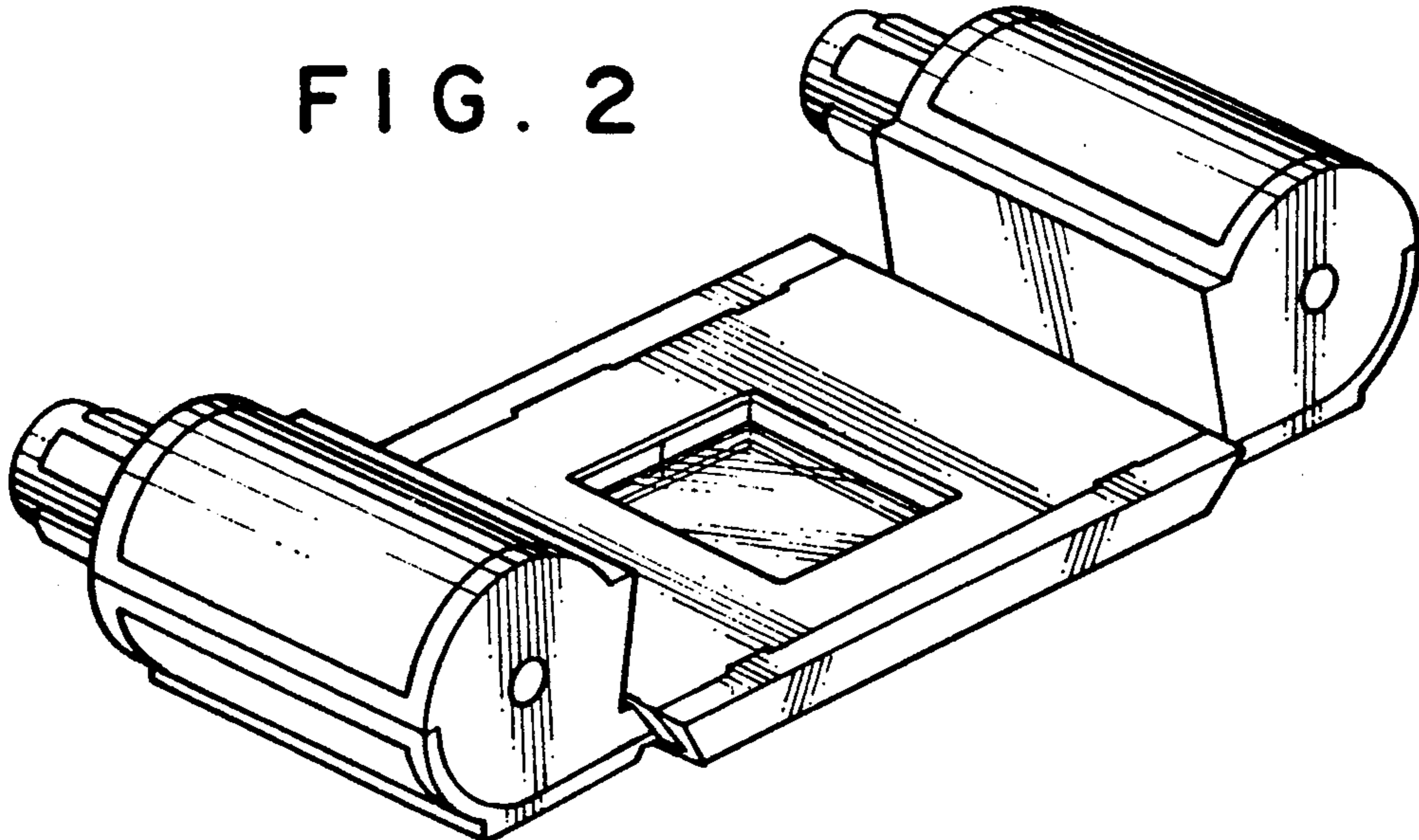


FIG. 3

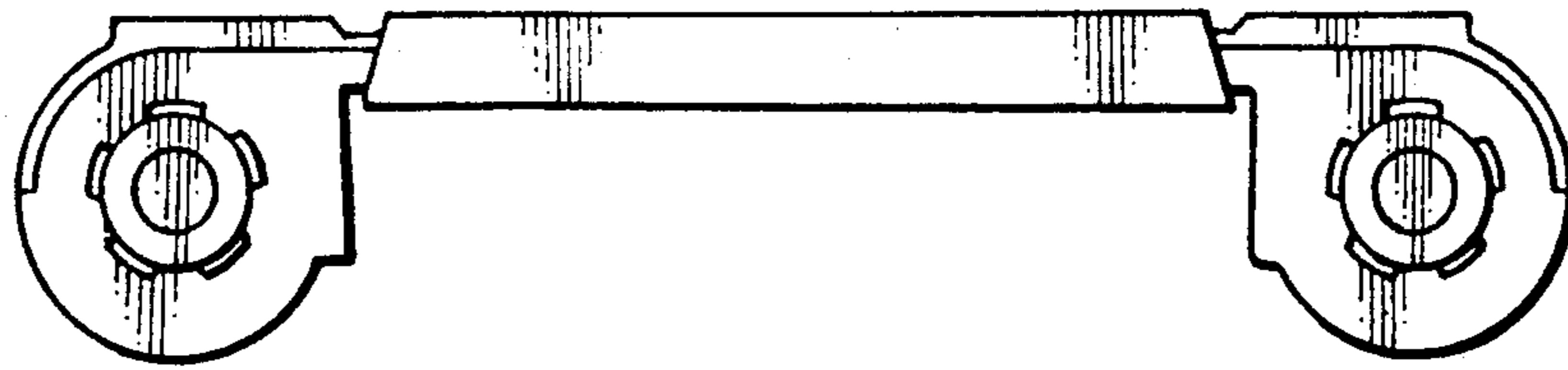


FIG. 4

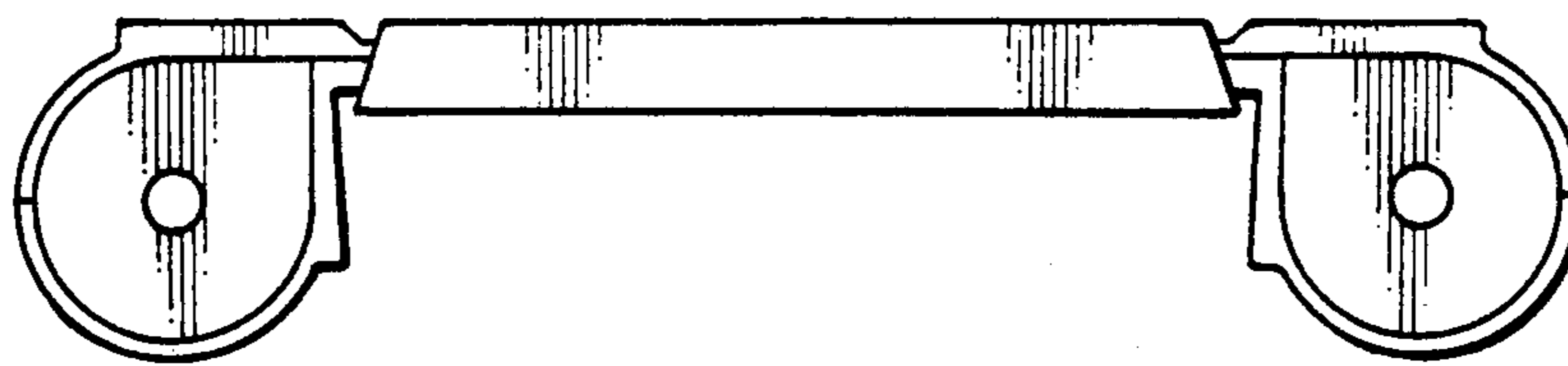


FIG. 5

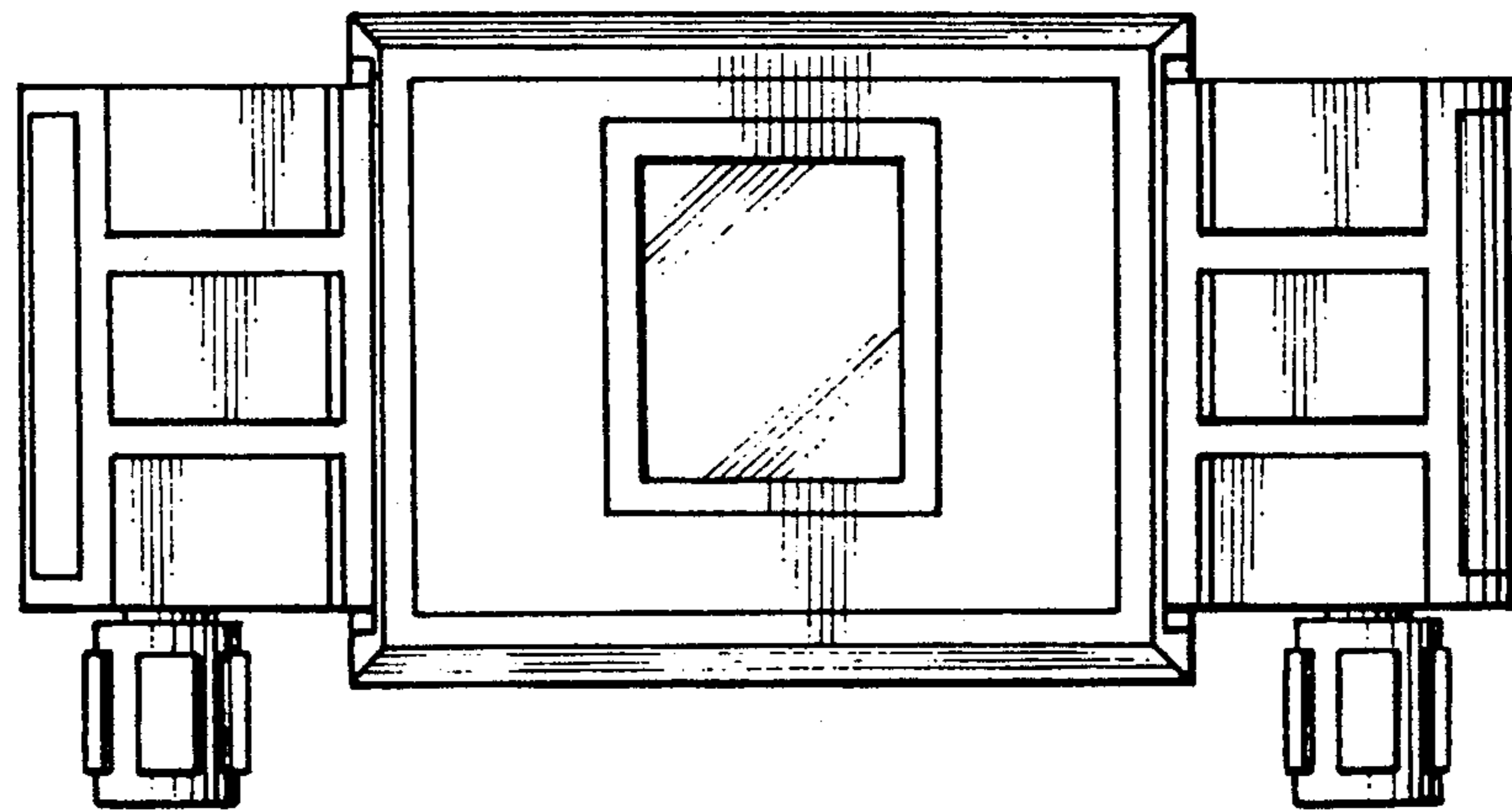


FIG. 6

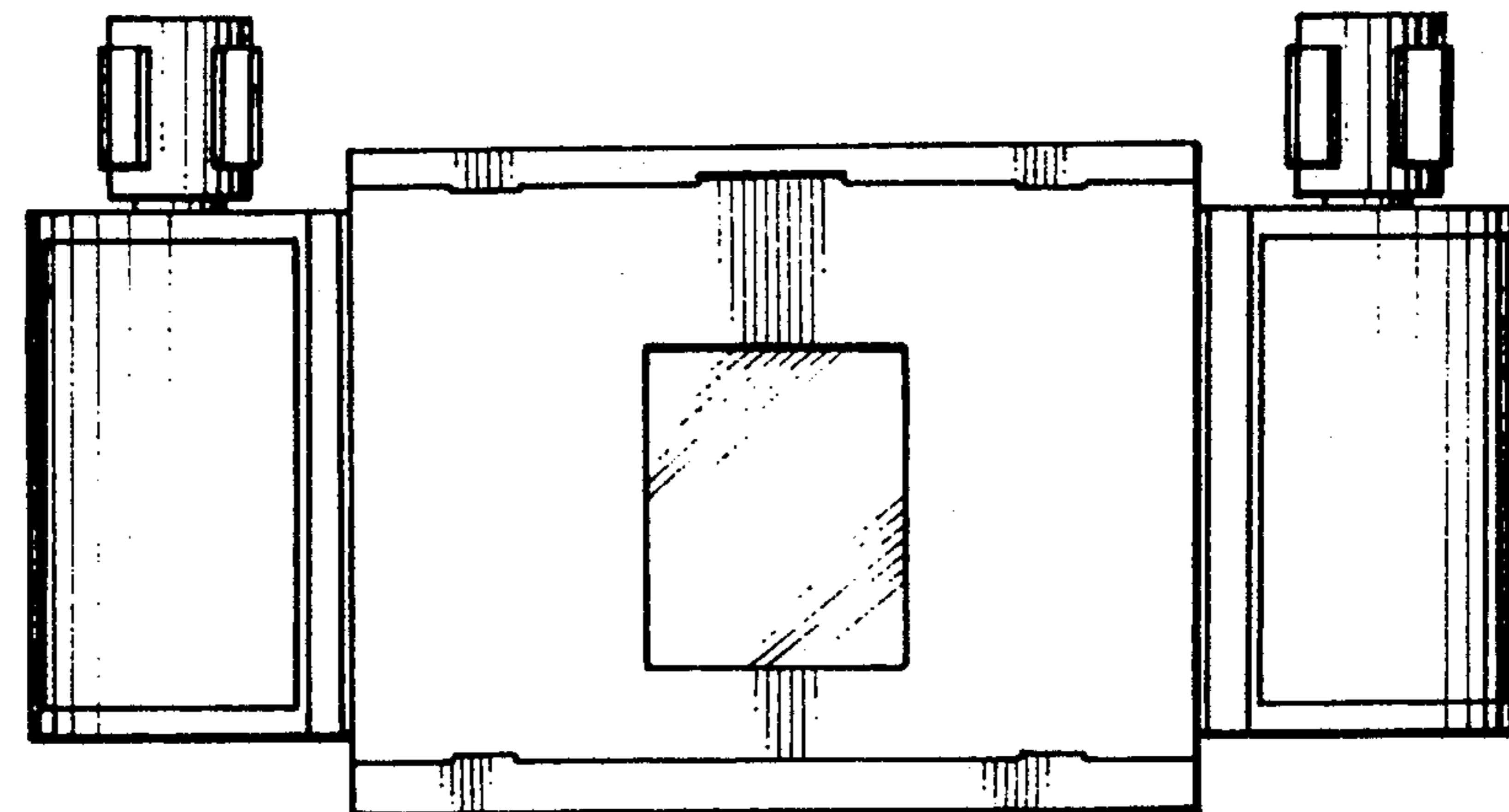


FIG. 7

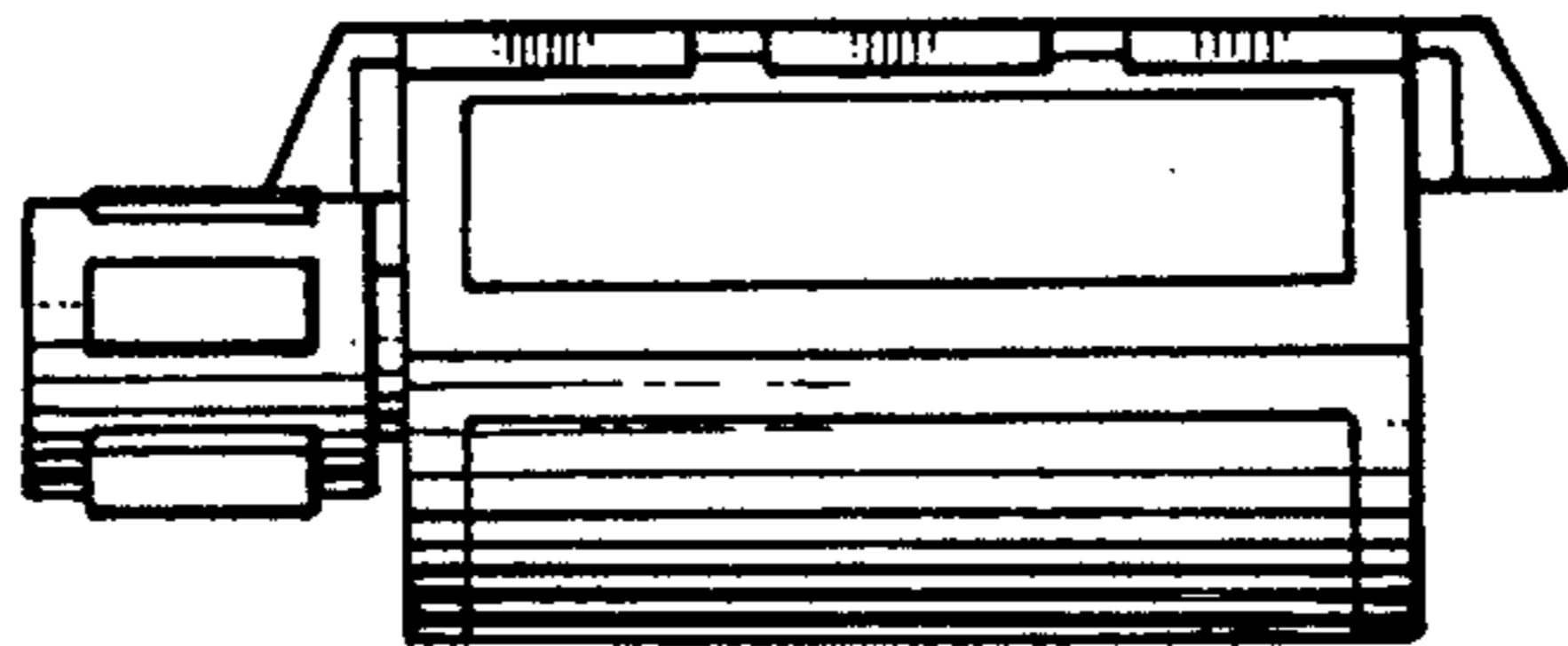


FIG. 8

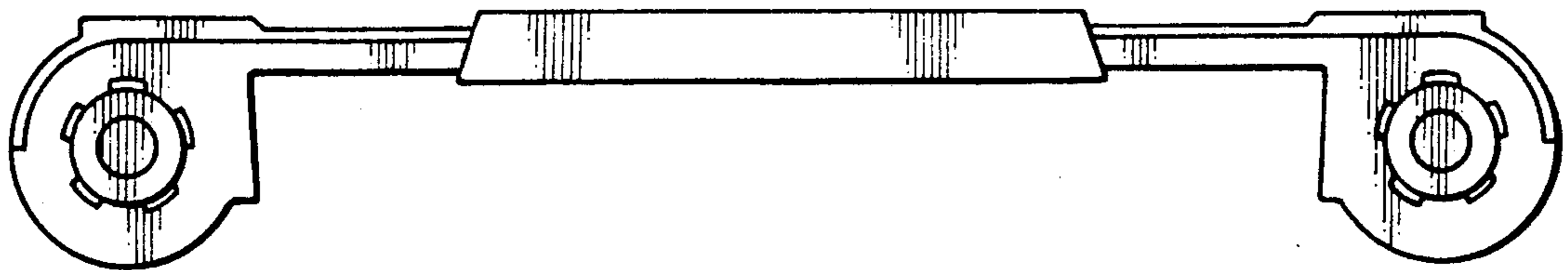


FIG. 9

