



US00D333184S

United States Patent [19] Taylor

[11] Patent Number: **Des. 333,184**
[45] Date of Patent: **** Feb. 9, 1993**

[54] **PIN CLAMP FOR USE WITH AN ORTHOPEDIC APPLIANCE**
[75] Inventor: **Harold S. Taylor, Memphis, Tenn.**
[73] Assignee: **Engineering & Precision Machining, Inc., Memphis, Tenn.**
[**] Term: **14 Years**
[21] Appl. No.: **484,193**
[22] Filed: **Feb. 23, 1990**
[52] U.S. Cl. **D24/143**
[58] Field of Search **D24/143, 140, 145, 171; D8/394; 606/53, 54, 59, 61, 88**

4,658,388 3/1987 Steffee 606/61
4,920,959 5/1990 Witzel et al. 606/53
4,987,982 1/1991 Krag et al. 606/61
5,047,029 9/1991 Aebi et al. 606/61
5,122,131 6/1992 Tson 606/61

OTHER PUBLICATIONS

Copy of 7 page Synthes brochure entitled "The AO/A-SIF External Fixation System", copyright 1987.

Primary Examiner—A. Hugo Word
Assistant Examiner—Celia A. Murphy
Attorney, Agent, or Firm—Walker, McKenzie & Walker

[56] References Cited U.S. PATENT DOCUMENTS

D. 238,540 1/1976 Holly D24/140
D. 260,927 9/1981 Glenn D24/140
D. 274,162 1/1984 Kenna D24/140
D. 293,470 12/1987 Adler D24/140
2,502,902 4/1950 Tofflemire 606/54
2,665,692 1/1954 L'Esperance D24/145
4,457,307 7/1984 Stillwell 606/88
4,483,334 11/1984 Murray 606/59
4,567,884 2/1986 Edwards 606/61
4,600,000 7/1986 Edwards 606/54
4,653,481 3/1987 Howland et al. 606/61

[57] **CLAIM**
The ornamental design for a pin clamp for use with an orthopedic appliance, as shown and described.

DESCRIPTION

FIG. 1 is a top plan view of a pin clamp for use with an orthopedic appliance showing my new design; FIG. 2 is a left side elevational view thereof; FIG. 3 is a front elevational view thereof; the rear being a mirror image; FIG. 4 is a right side elevational view thereof; FIG. 5 is a bottom plan view thereof; FIG. 6 is a top perspective view thereof; and, FIG. 7 is a bottom perspective view thereof.

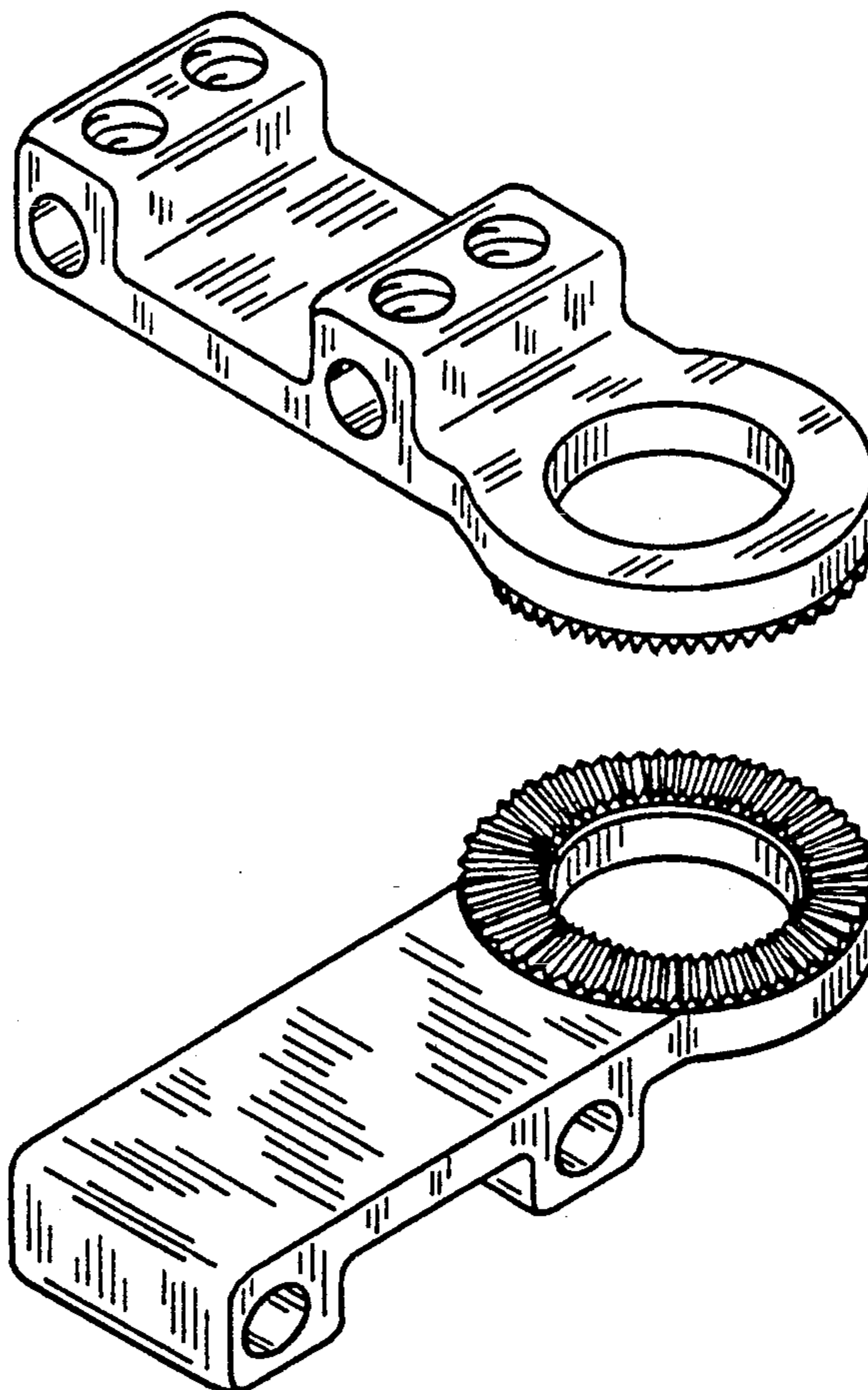


FIG. 1

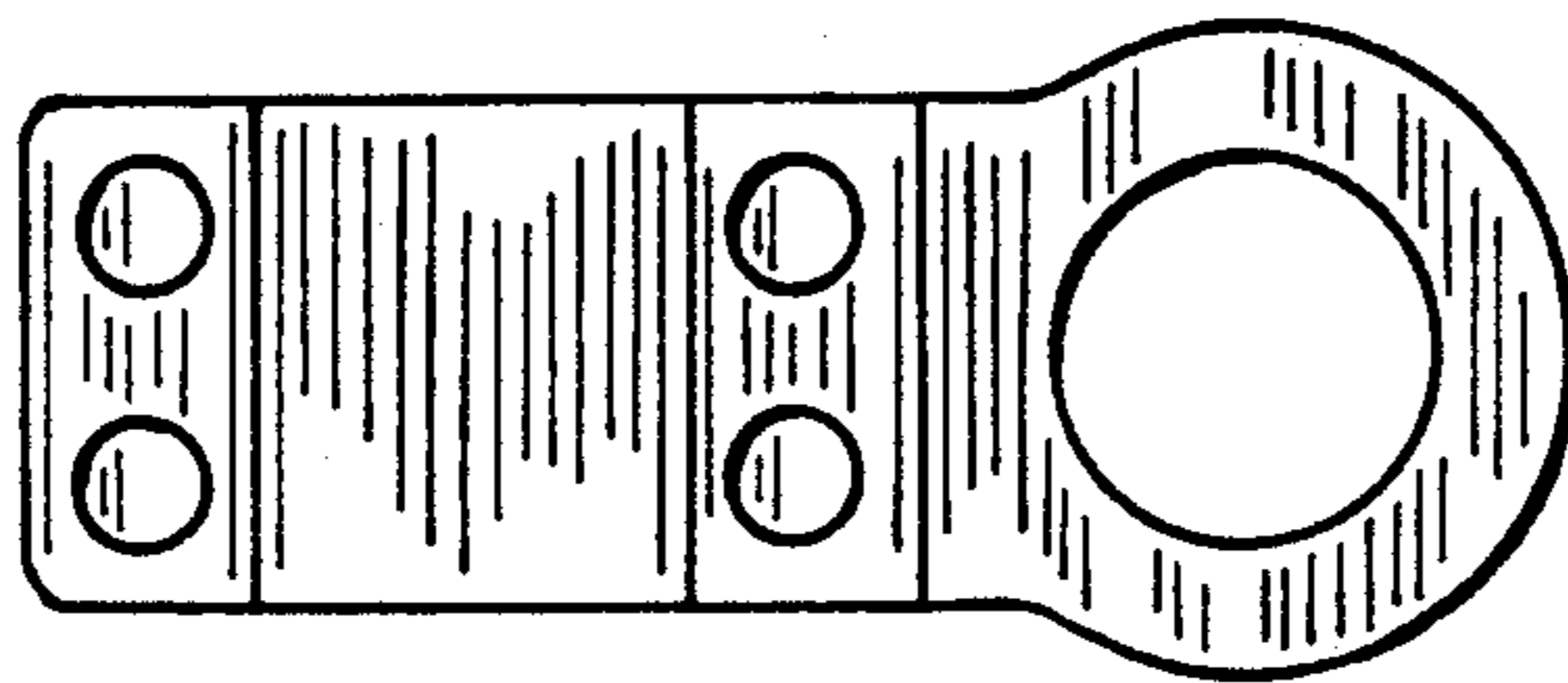


FIG. 2



FIG. 3

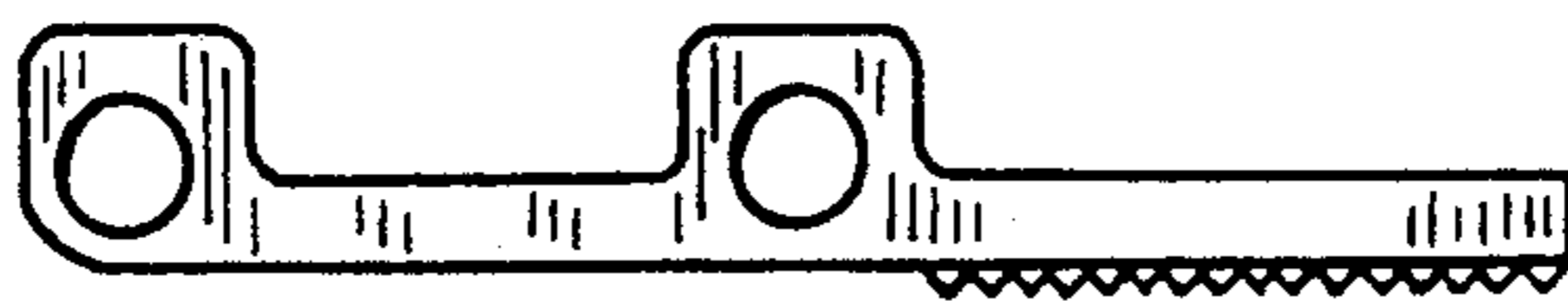


FIG. 4



FIG. 5

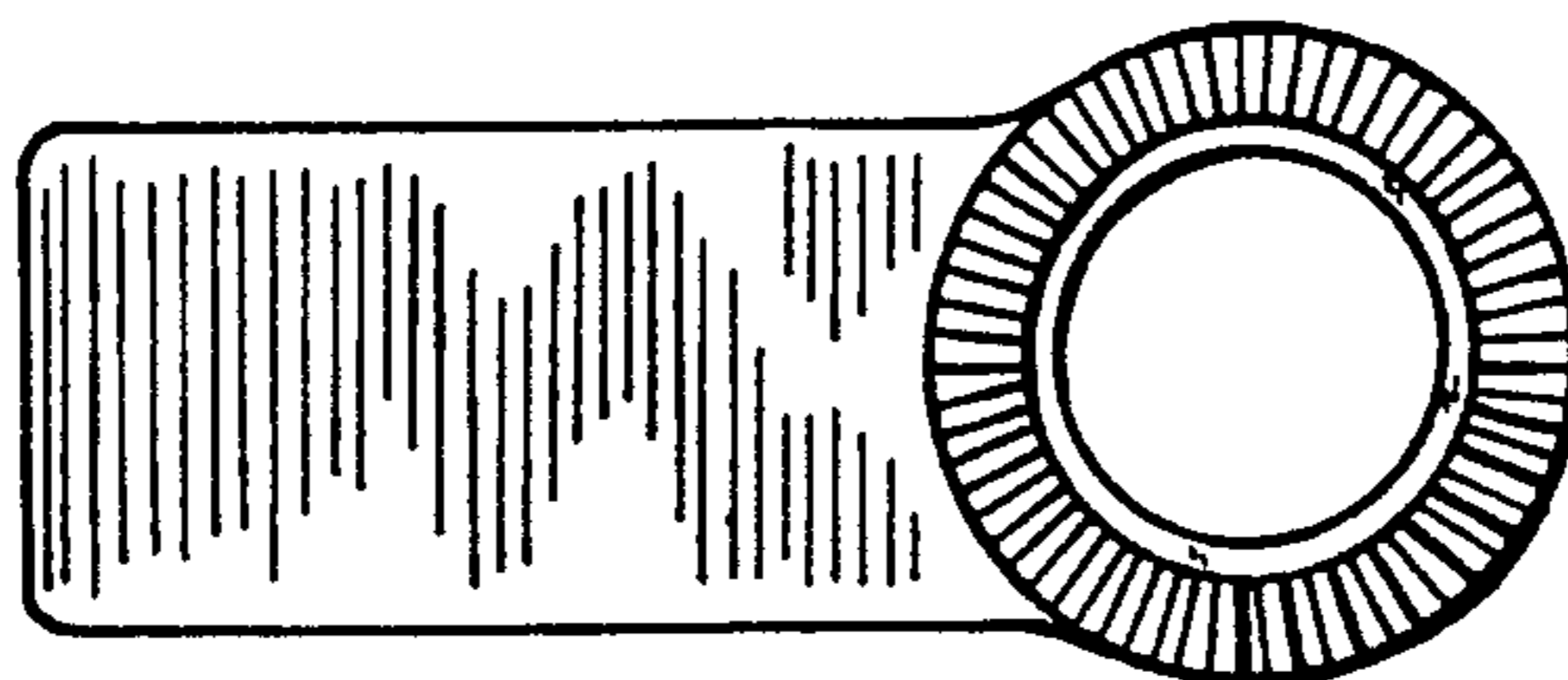


FIG. 6

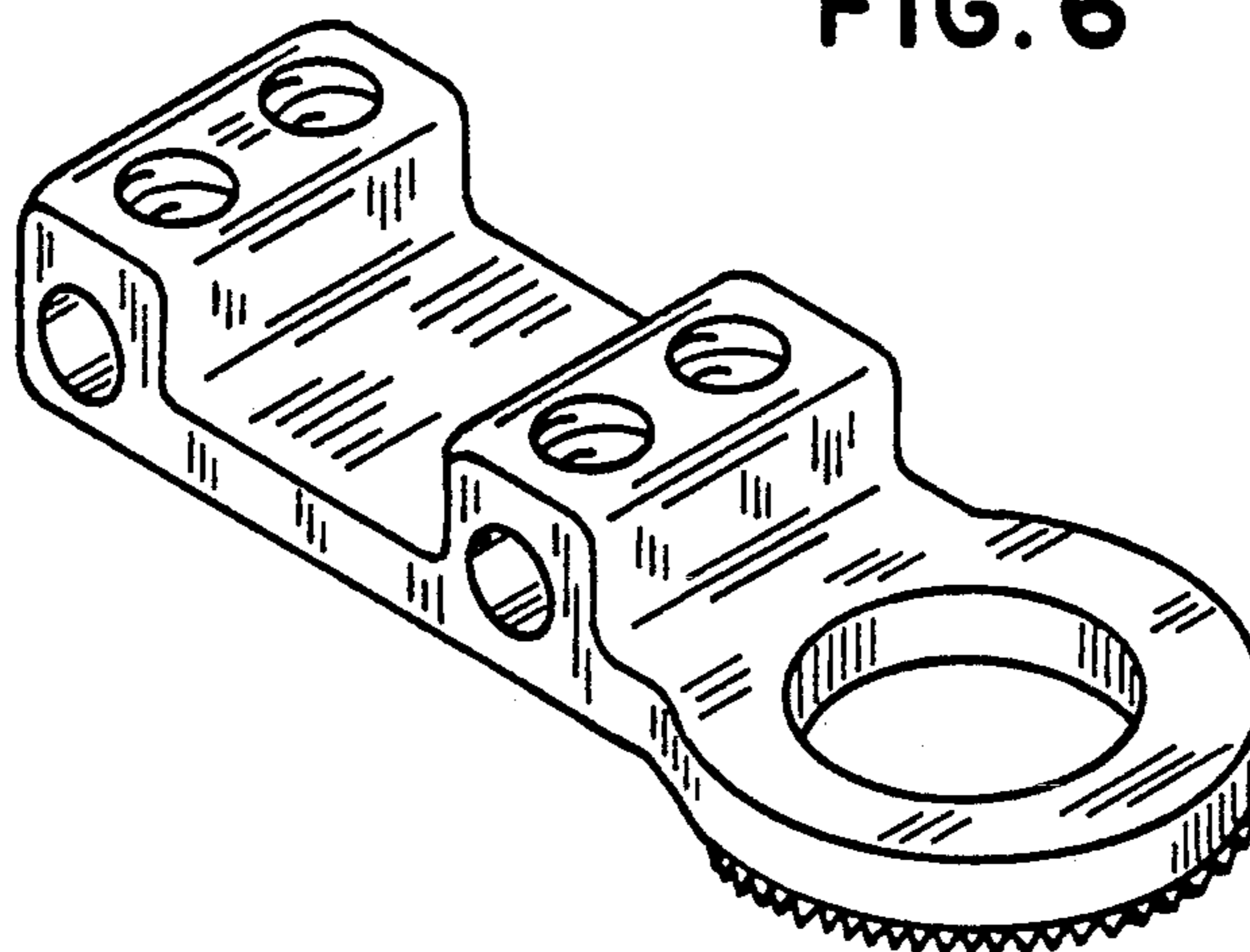


FIG. 7

