



US00D333182S

United States Patent [19]

[11] Patent Number: **Des. 333,182**

Yoshikawa

[45] Date of Patent: **** Feb. 9, 1993**

[54] **CATHETER GUIDE WIRE HOLDER**

[75] Inventor: **Masashi Yoshikawa, Tokyo, Japan**

[73] Assignee: **Terumo Kabushiki Kaisha, Tokyo, Japan**

[**] Term: **14 Years**

[21] Appl. No.: **498,020**

[22] Filed: **Mar. 22, 1990**

[30] **Foreign Application Priority Data**

Sep. 26, 1989 [JP] Japan 1-34794

[52] U.S. Cl. **D24/133**

[58] Field of Search **D24/137, 140, 147; 128/772, 657; 604/95, 171, 159, 177, 178; 226/128, 129**

[56] **References Cited**

U.S. PATENT DOCUMENTS

| | | | | |
|-----------|---------|-------------------|-----------|---|
| 2,625,934 | 4/1951 | Halliday | 226/158 | X |
| 3,312,128 | 5/1965 | Wasson | 140/123.5 | X |
| 4,726,369 | 2/1988 | Mar | 128/657 | X |
| 4,858,810 | 8/1989 | Intlekofer et al. | 604/159 | X |
| 4,880,412 | 11/1989 | Weiss | 604/177 | X |

Primary Examiner—Stella Reid
Assistant Examiner—I. Simmons
Attorney, Agent, or Firm—Frishauf, Holtz, Goodman & Woodward

[57] **CLAIM**

The ornamental design for a catheter guide wire holder, as shown and described.

DESCRIPTION

FIG. 1 is a perspective view of a guide wire holder for catheters showing my new design in clamped condition; FIG. 2 is a front elevational view thereof; FIG. 3 is a rear elevational view thereof; FIG. 4 is a left side elevational view thereof; FIG. 5 is a right side elevational view thereof; FIG. 6 is a top plan view thereof; FIG. 7 is a bottom plan view thereof; FIG. 8 is a cross-sectional view thereof, taken along the line VIII—VIII in FIG. 2; FIG. 9 is a cross-sectional view thereof, taken along the line IX—IX in FIG. 2; and, FIG. 10 is a front elevational view thereof in unclamped condition, the broken line showing of the guide wire is for illustrative purposes only and forms no part of the claimed design.

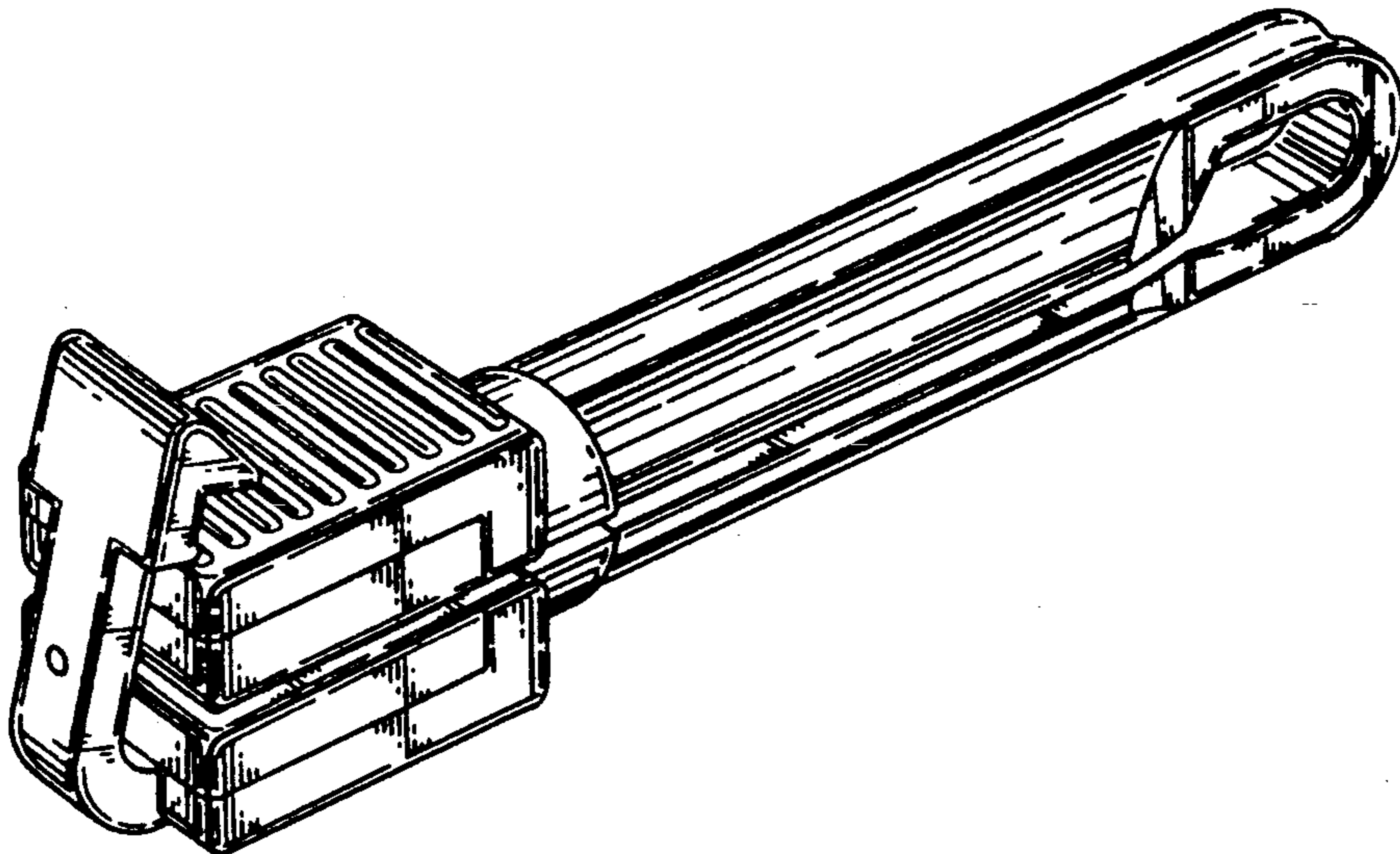


FIG. 1

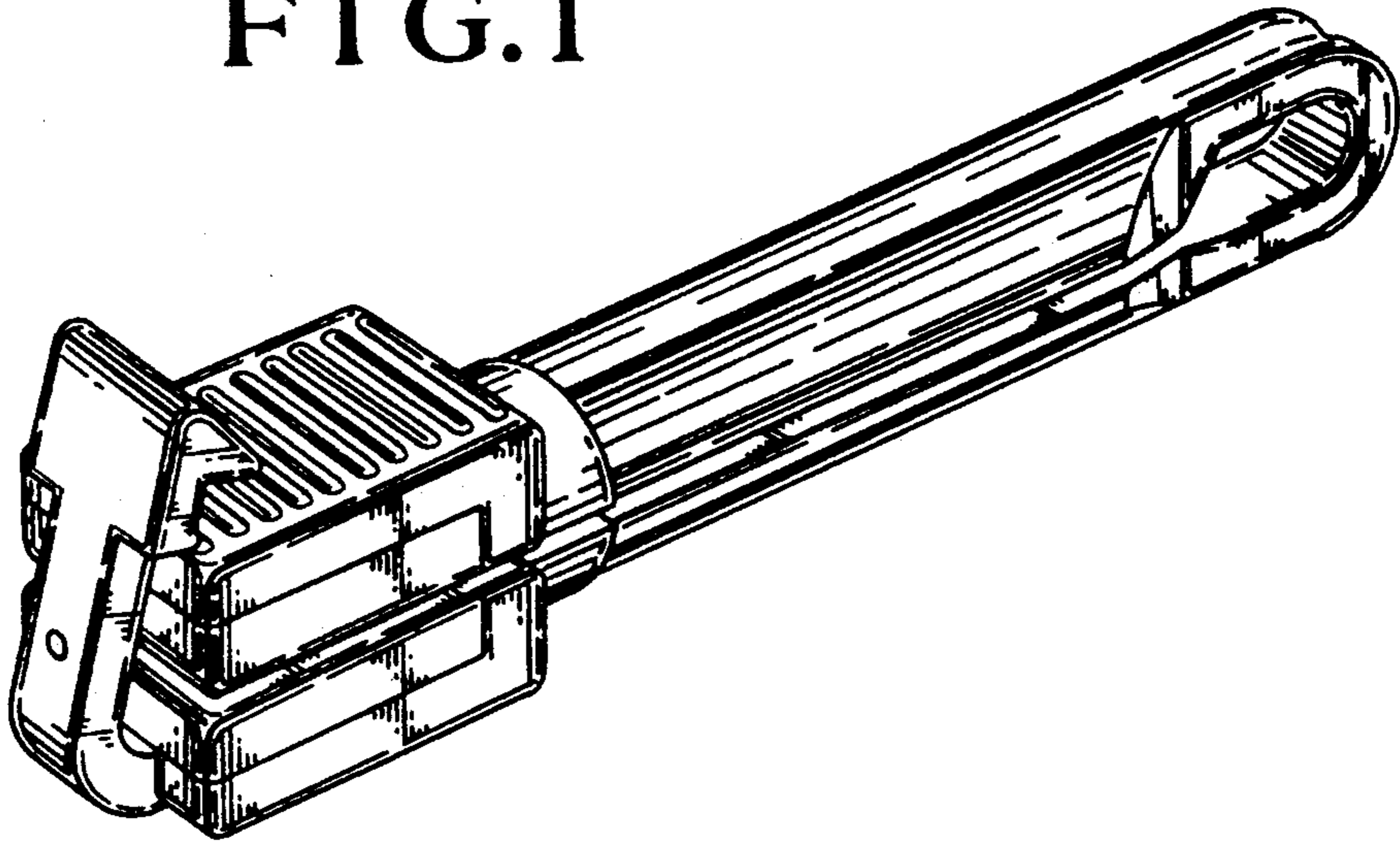


FIG. 2

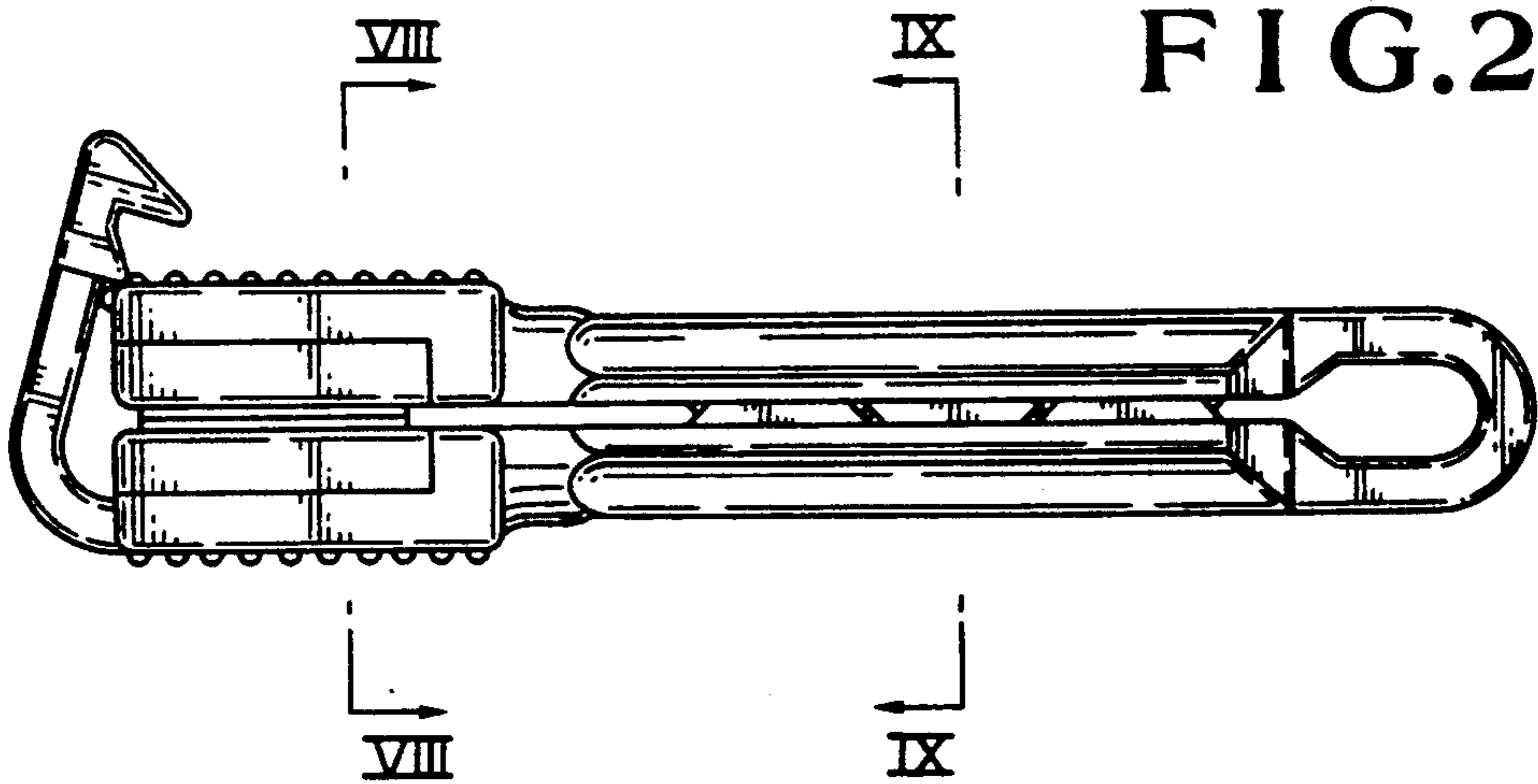


FIG. 3

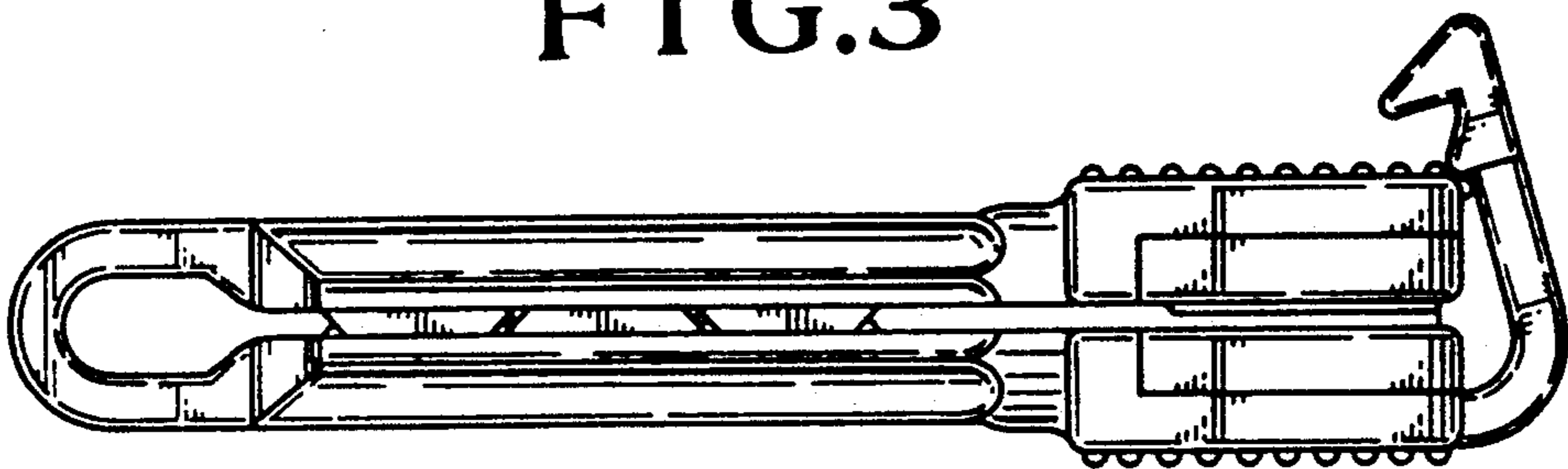


FIG.4

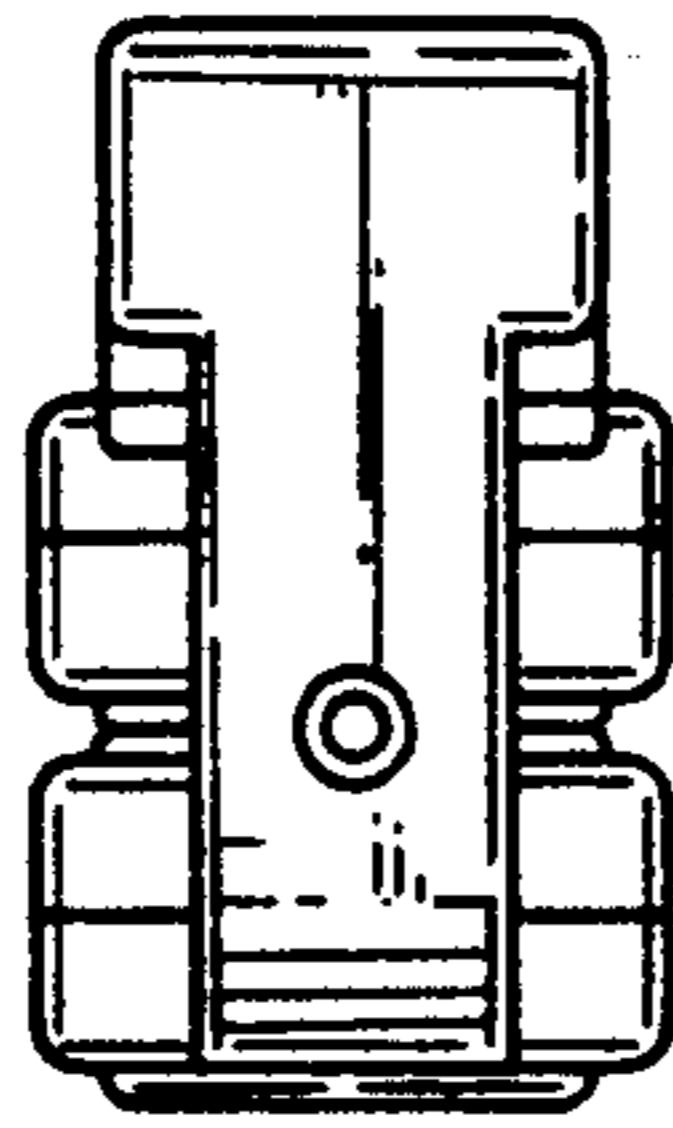


FIG.5

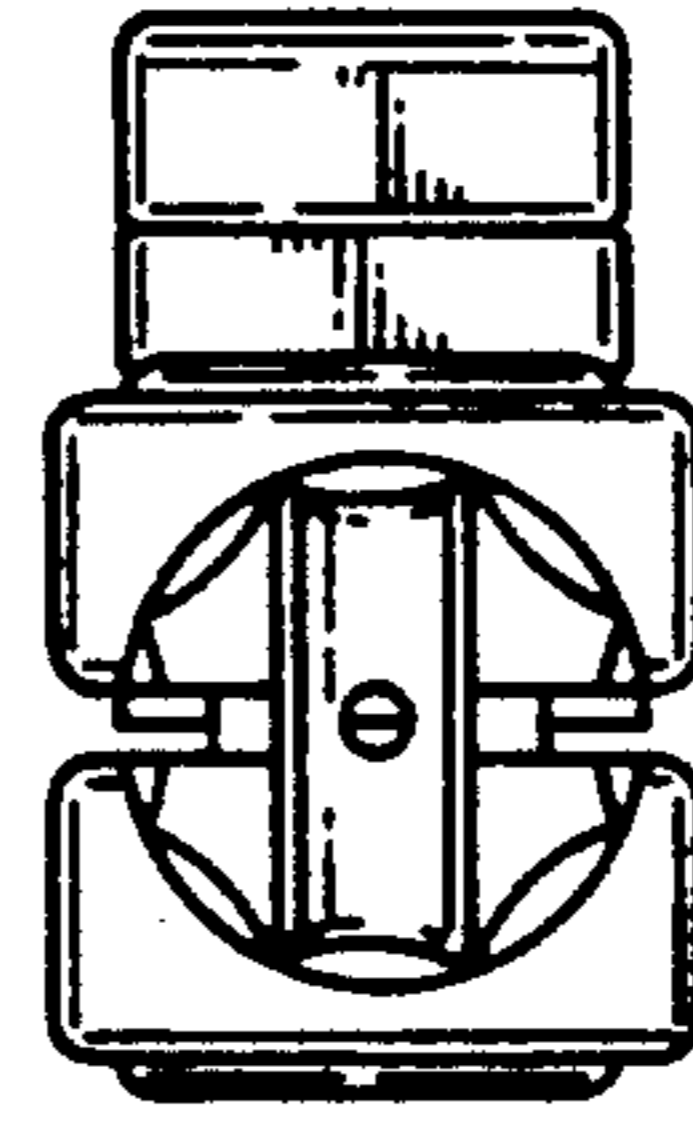


FIG.6

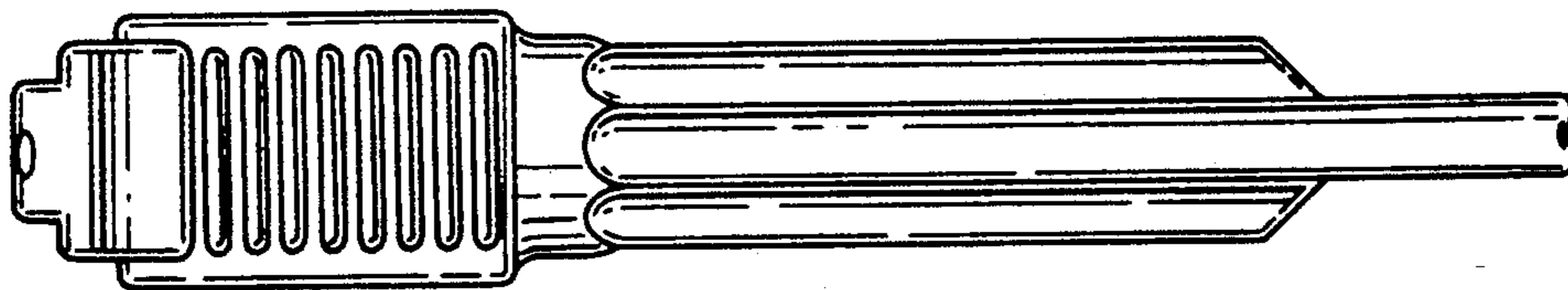


FIG.7

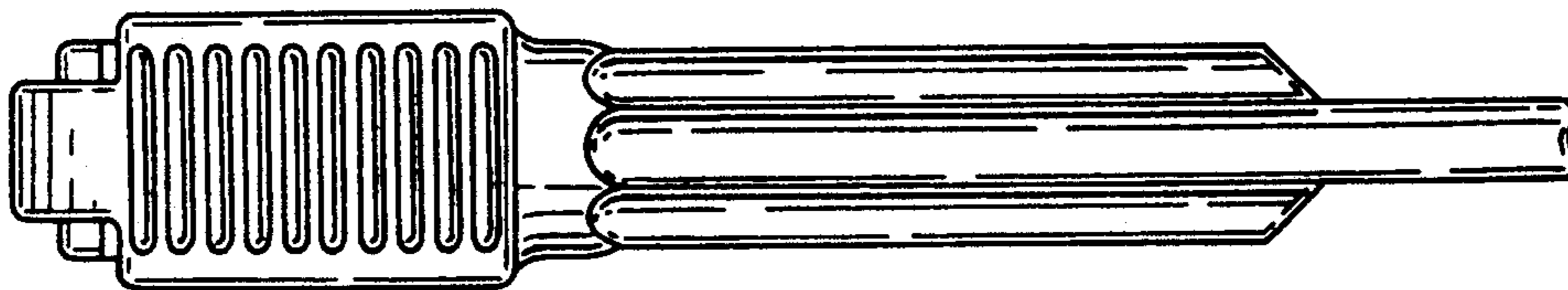


FIG.8

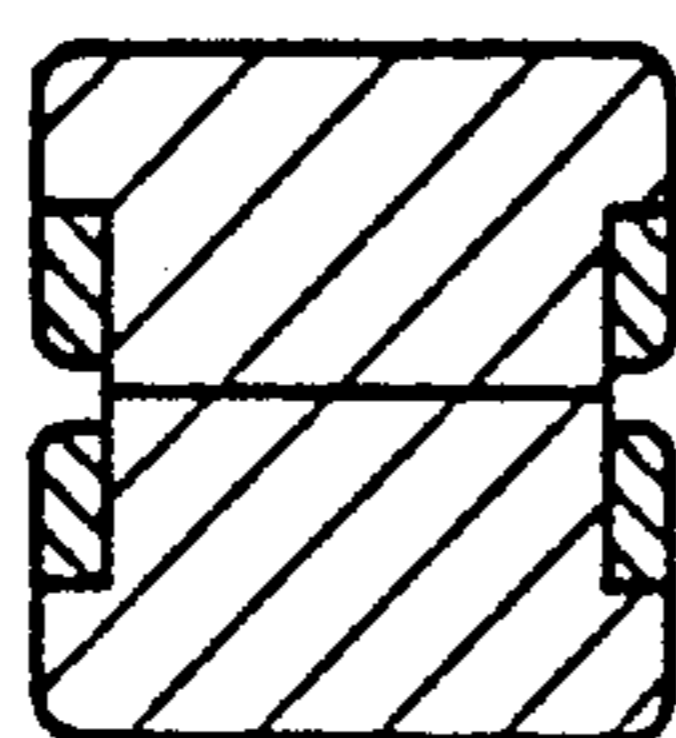


FIG.9

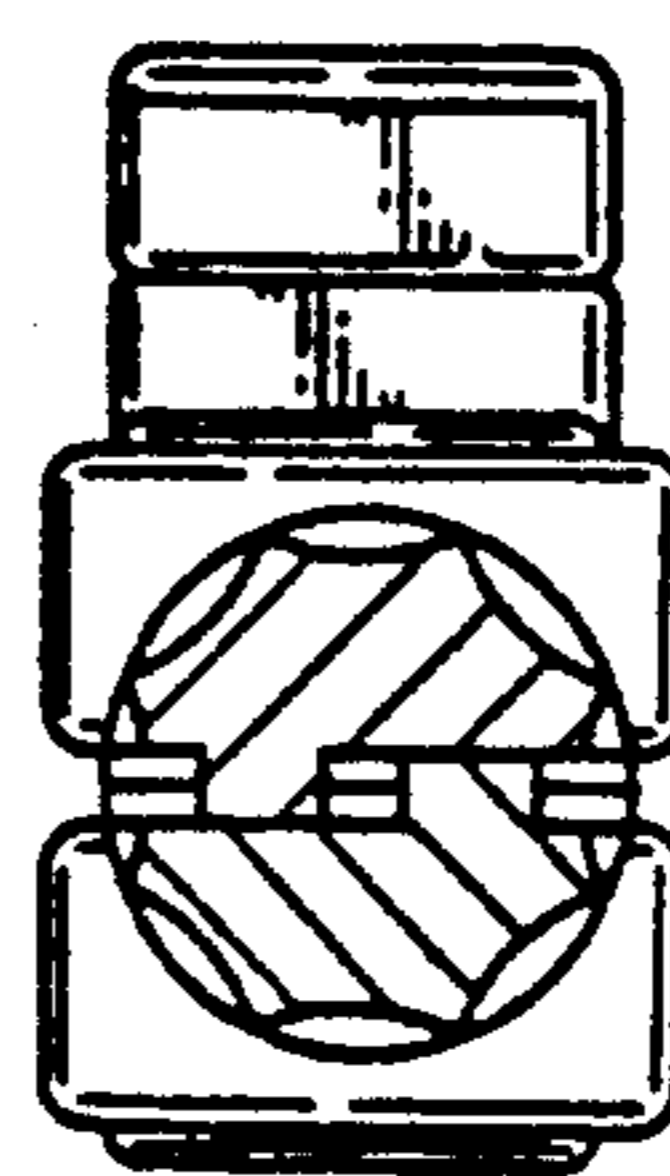


FIG.10

