



US00D333180S

United States Patent [19]

Kaiser

[11] Patent Number: **Des. 333,180**

[45] Date of Patent: **** Feb. 9, 1993**

[54] **BATHTUB**

[75] Inventor: **Jack N. Kaiser, Danville, Ky.**

[73] Assignee: **American Standard Inc., New York, N.Y.**

[**] Term: **14 Years**

[21] Appl. No.: **581,644**

[22] Filed: **Sep. 11, 1990**

[52] U.S. Cl. **D23/281**

[58] Field of Search **D23/270, 271, 273, 275-283, D23/303-307; D24/201-205; 4/538, 539, 546, 552, 553, 571-573, 578, 576, 589-591, 664-667**

[56] **References Cited**

U.S. PATENT DOCUMENTS

D. 216,119	11/1969	Kaiser	D23/281
D. 219,215	11/1970	Korol	D23/281
D. 255,262	6/1980	Beddome et al.	D23/281
D. 265,922	8/1982	Jasperson	D23/281
D. 266,692	10/1982	Harrison	D23/281
D. 267,190	12/1982	Harrison	D23/281

D. 274,454	6/1984	Robinson	D23/281
D. 278,742	5/1985	Staivs, Jr.	D23/281
D. 286,811	11/1986	Diamond	D23/281

Primary Examiner—James R. Largen
Attorney, Agent, or Firm—Elaine B. Robinson; Ann M. Knab

[57] **CLAIM**

The ornamental design for a bathtub, as shown and described.

DESCRIPTION

FIG. 1 is a top perspective view of a bathtub showing my new design;
 FIG. 2 is a top plan view thereof;
 FIG. 3 is a bottom plan view thereof;
 FIG. 4 is a rear elevational view thereof;
 FIG. 5 is a front elevational view thereof;
 FIG. 6 is a right side elevational view thereof;
 FIG. 7 is a left side elevational view thereof;
 FIG. 8 is a cross sectional view taken on line 8—8 of FIG. 1; and,
 FIG. 9 is a cross sectional view taken on line 9—9 of FIG. 1.

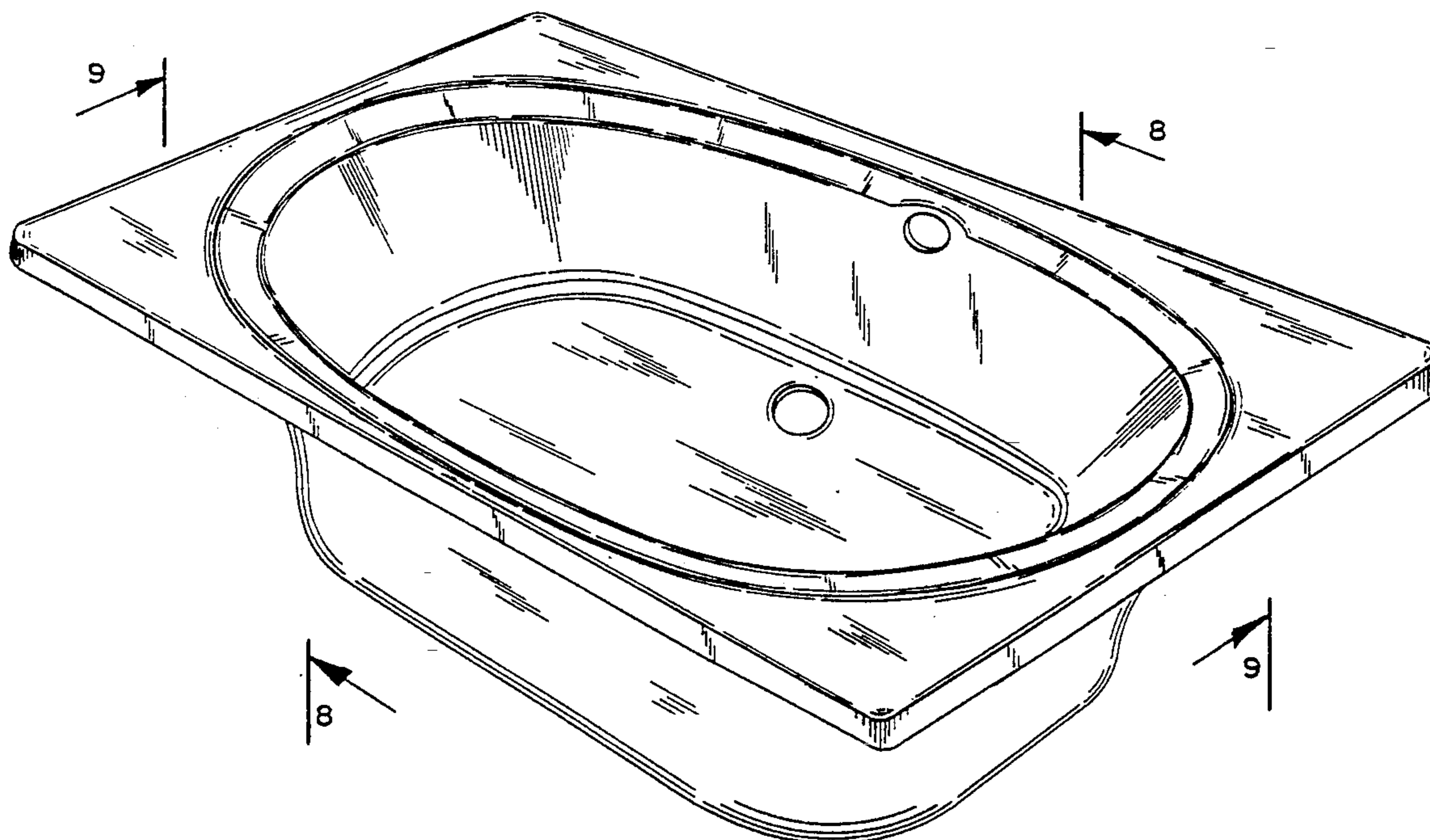


FIG. 1

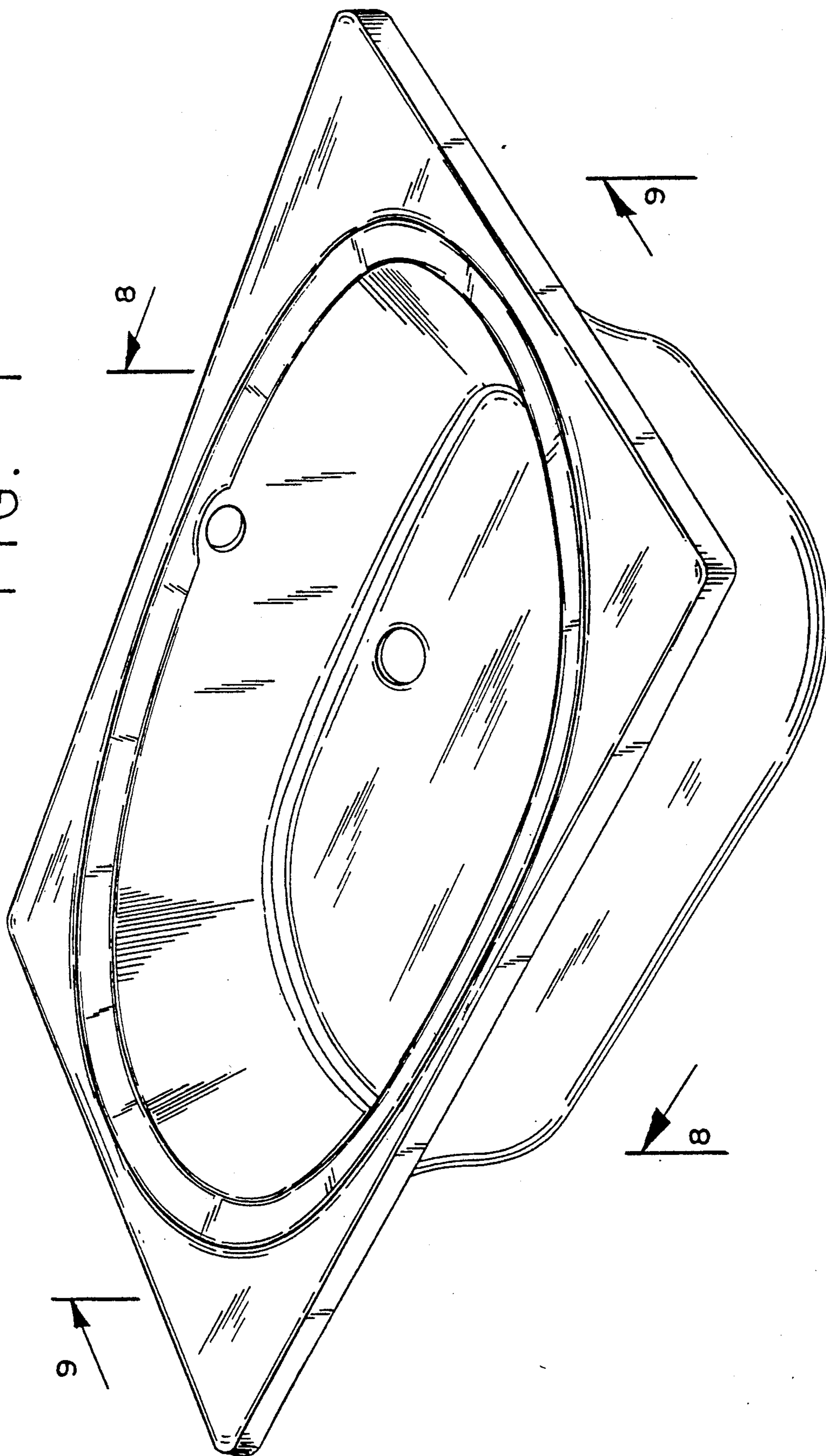


FIG. 2

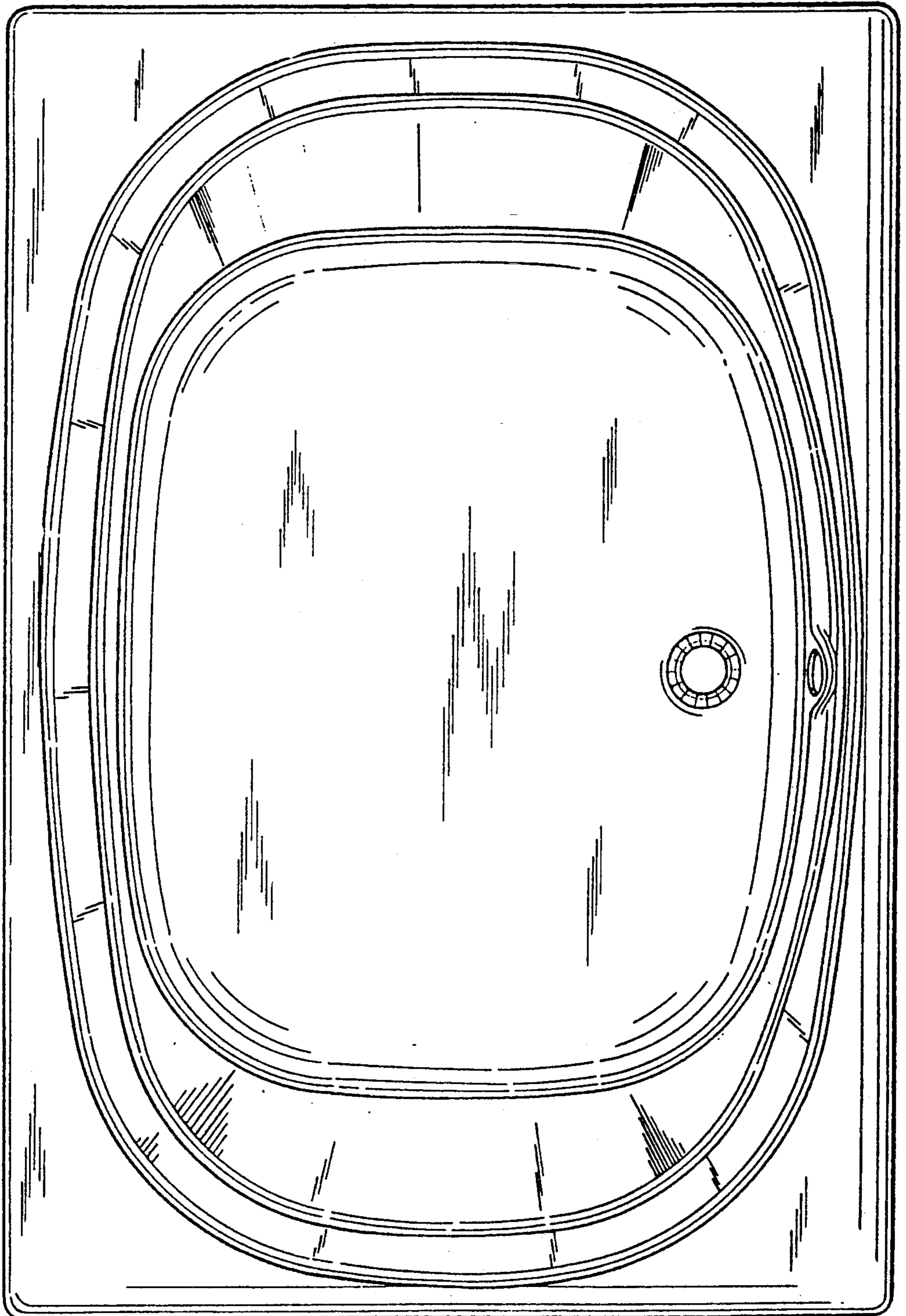


FIG. 3

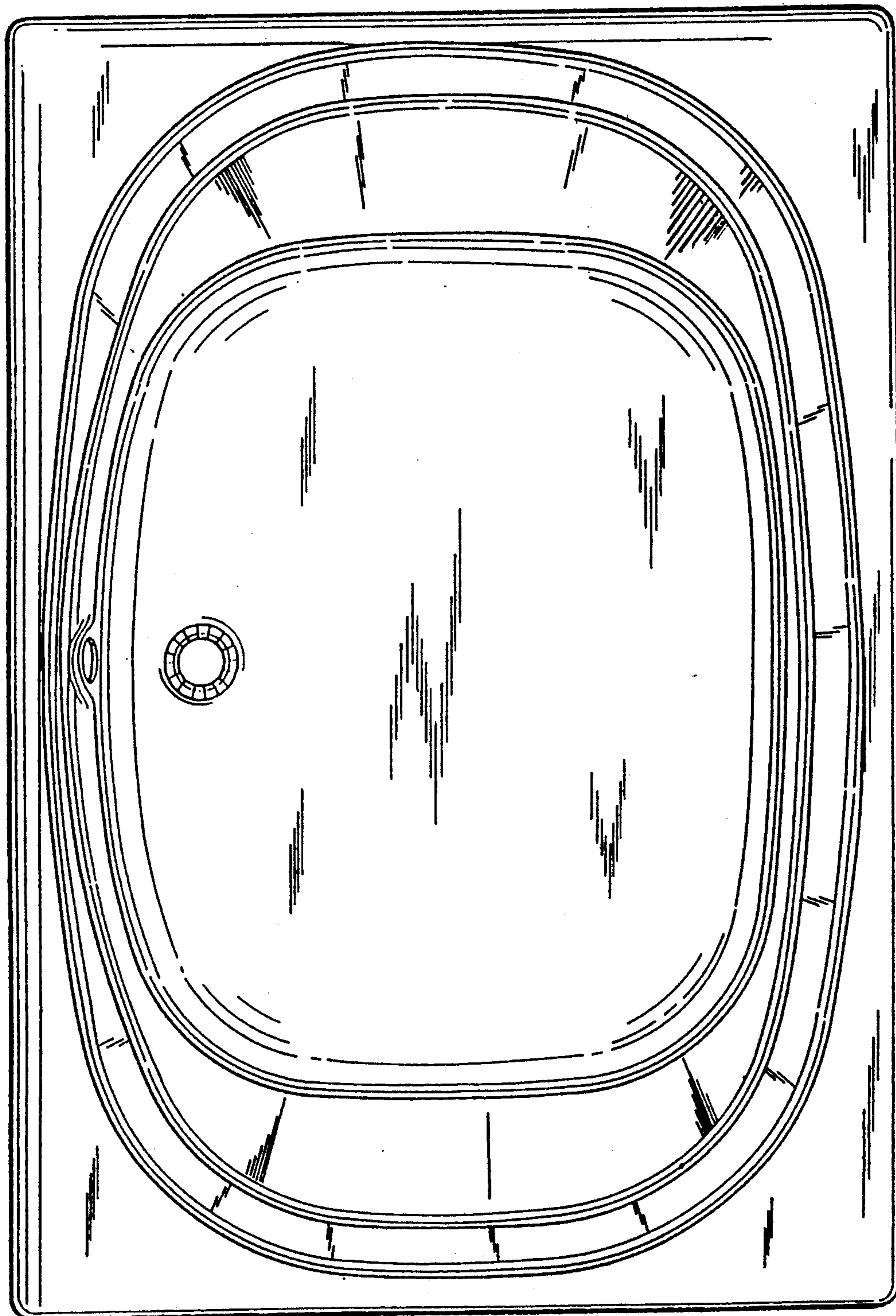


FIG. 4

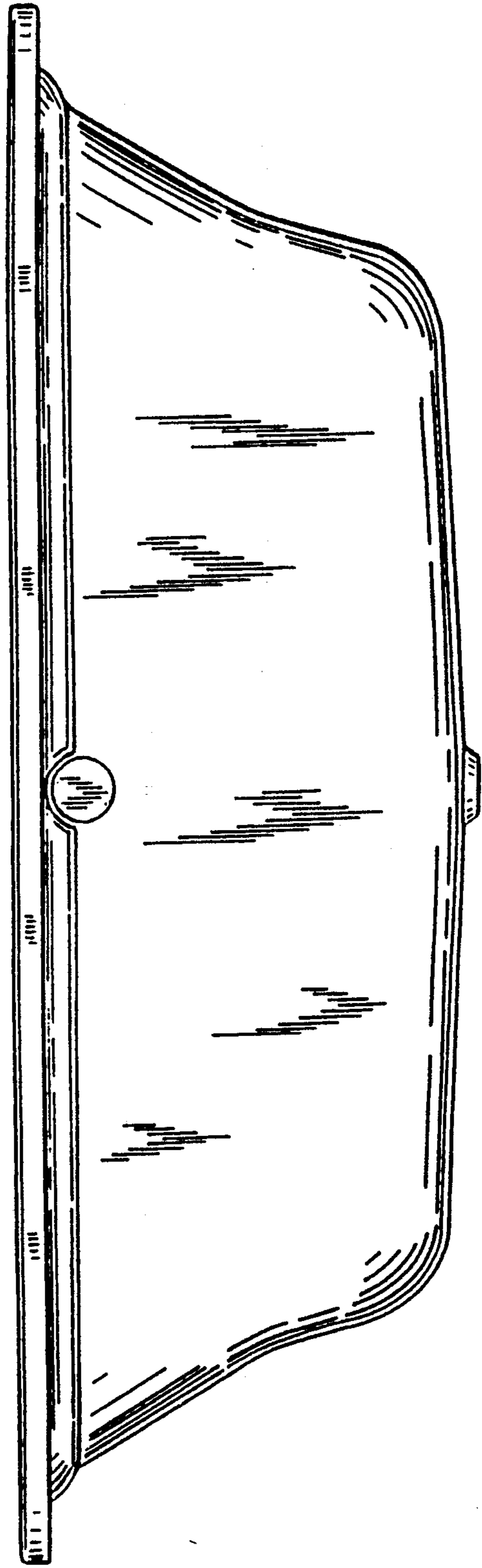


FIG. 5

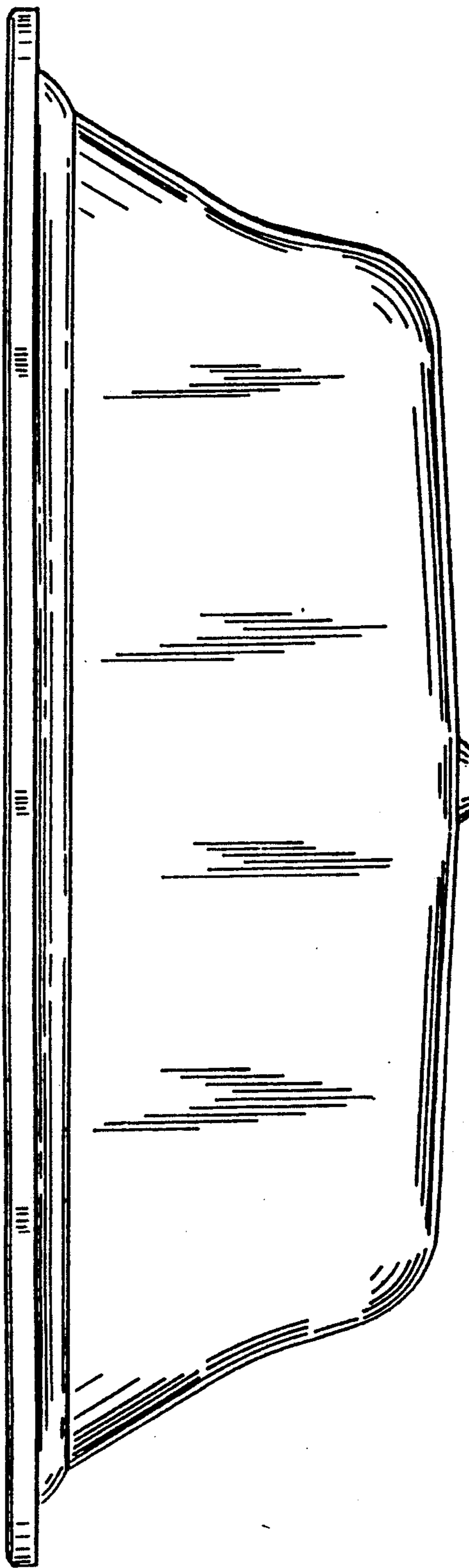


FIG. 6

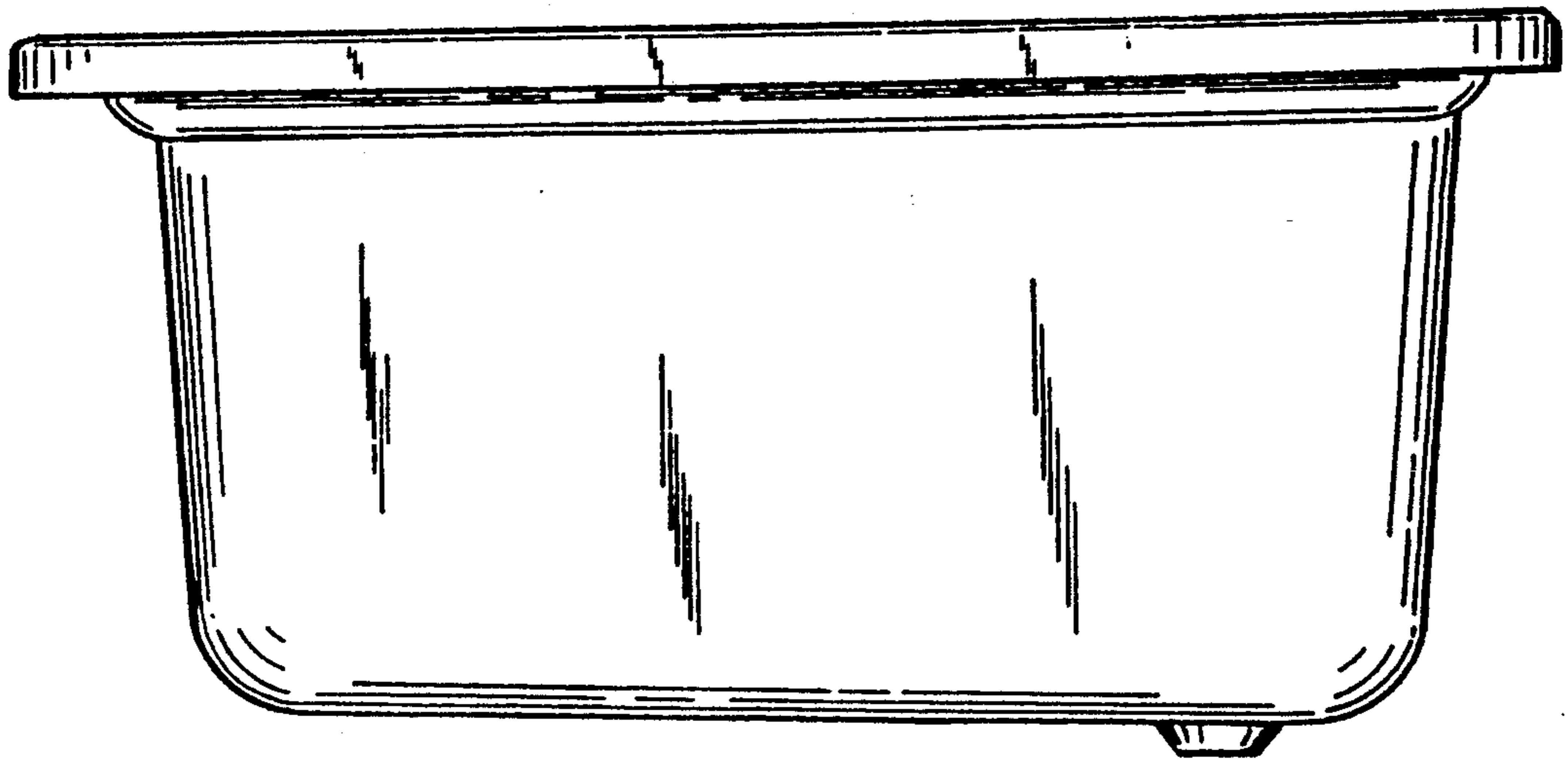


FIG. 7

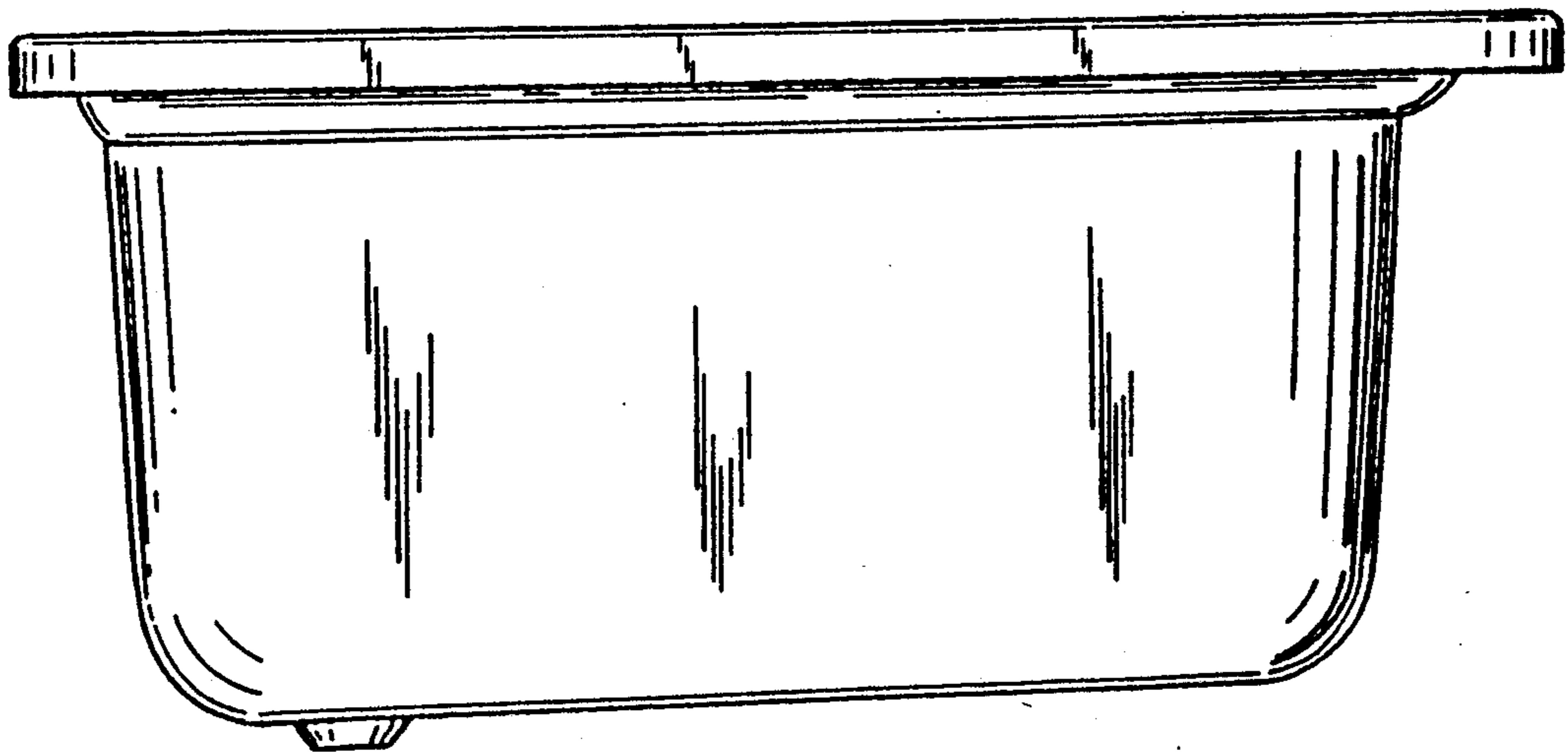


FIG. 8

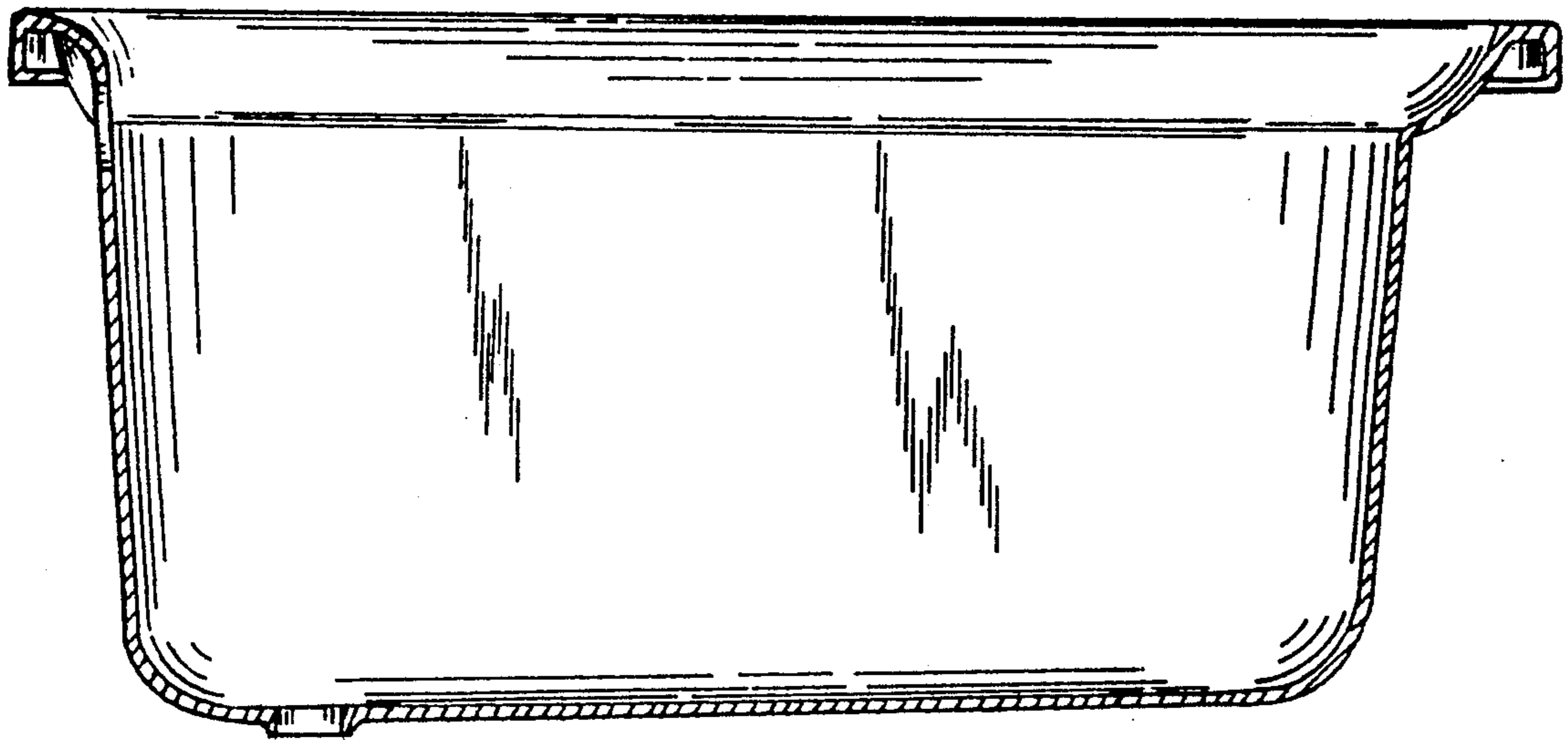


FIG. 9

