



US00D333176S

United States Patent [19]

Millholen et al.

[11] Patent Number: **Des. 333,176**

[45] Date of Patent: **** Feb. 9, 1993**

[54] FISHING POLE HOLDER

[76] Inventors: **Neal W. Millholen, 2220 E. 31st St.;
Patrick T. Cassidy, 1631 E. 31st St.,
both of, Oakland, Calif. 94602**

[**] Term: **14 Years**

[21] Appl. No.: **493,677**

[22] Filed: **Mar. 15, 1990**

[52] U.S. Cl. **D22/147**

[58] Field of Search **D22/147; 43/17, 21.2;
D3/100; 248/511-516, 530, 533; 224/922**

[56] References Cited

U.S. PATENT DOCUMENTS

| | | | | | |
|------------|---------|----------|-------|---------|---|
| D. 295,776 | 5/1988 | Johansen | | D3/100 | X |
| 729,485 | 5/1903 | Briner | | 248/533 | X |
| 2,803,387 | 8/1957 | Pearce | | 224/922 | X |
| 2,861,761 | 11/1958 | Nordell | | D22/147 | X |
| 4,112,607 | 9/1978 | Scher | | 43/17 | |
| 4,372,072 | 2/1983 | Comeau | | D22/147 | X |
| 4,650,146 | 3/1987 | Duke | | D22/147 | |

OTHER PUBLICATIONS

Springs and Formed Wires Catalog, The Colorado Fuel & Iron Corp., 1947, p. 10, Spring Wire "N".
Barnett Brass & Copper, 1987, p. 100, Cable Staples for Romex.

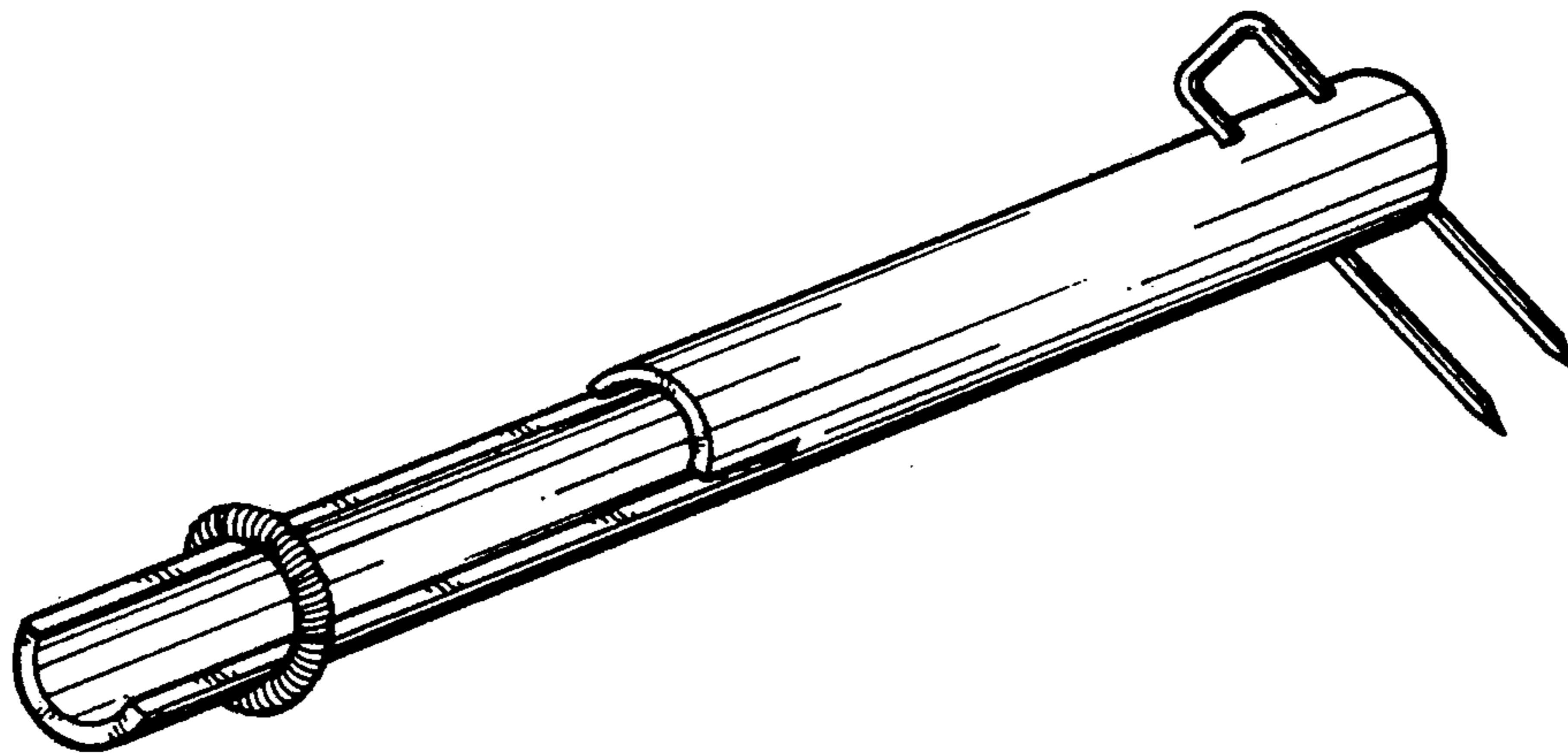
Primary Examiner—A. Hugo Word
Assistant Examiner—Doris V. Coles
Attorney, Agent, or Firm—Richard C. Litman

[57] CLAIM

The ornamental design for a fishing pole holder, as shown and described.

DESCRIPTION

FIG. 1 is a front perspective view of a fishing pole holder, showing our new design;
FIG. 2 is a rear perspective view thereof, the broken line showing of environment being for illustrative purposes only and forming no part of the claimed design;
FIG. 3 is a bottom perspective view thereof;
FIG. 4 is a top plan view thereof; and,
FIG. 5 is a right side elevational view, the left side being a mirror image thereof.



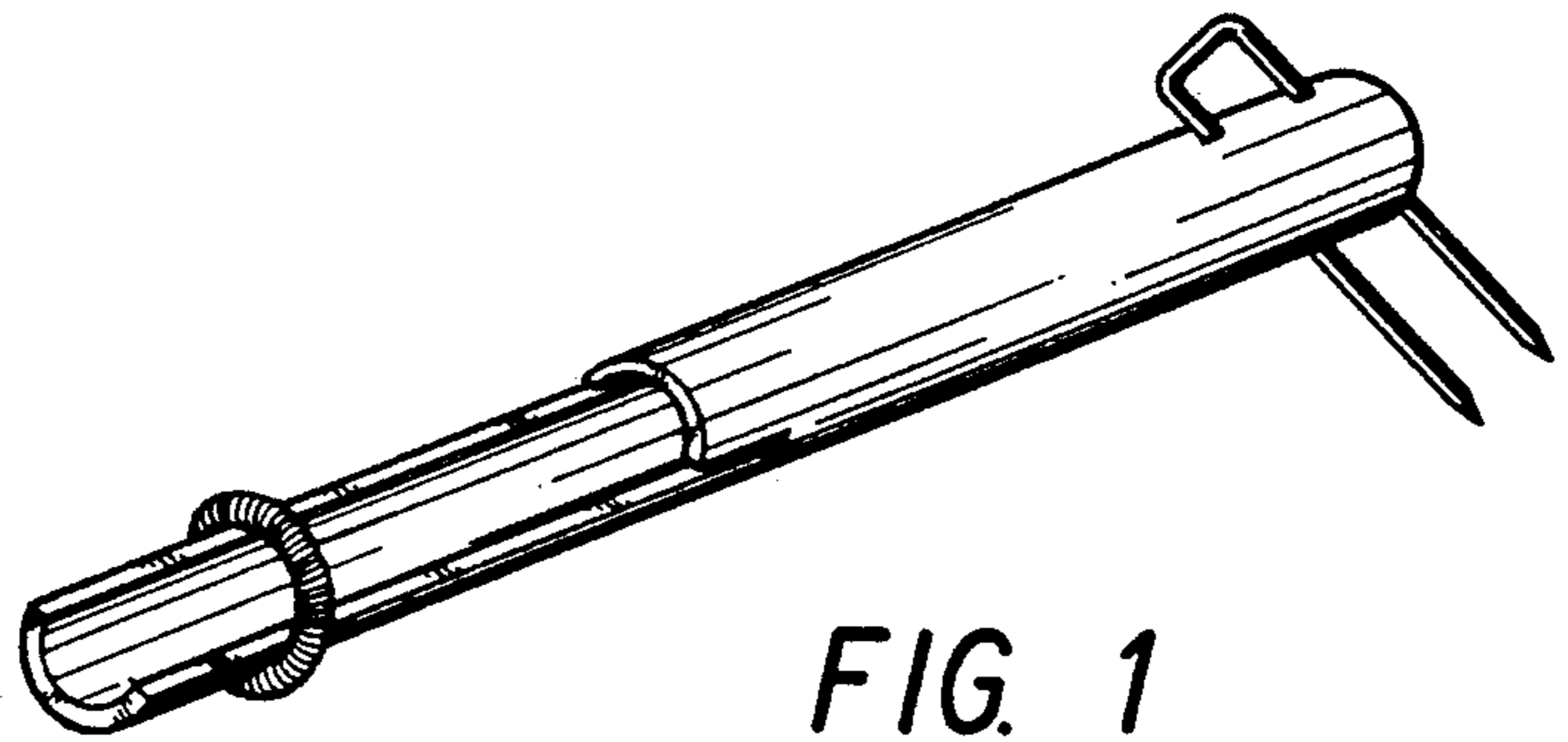


FIG. 1

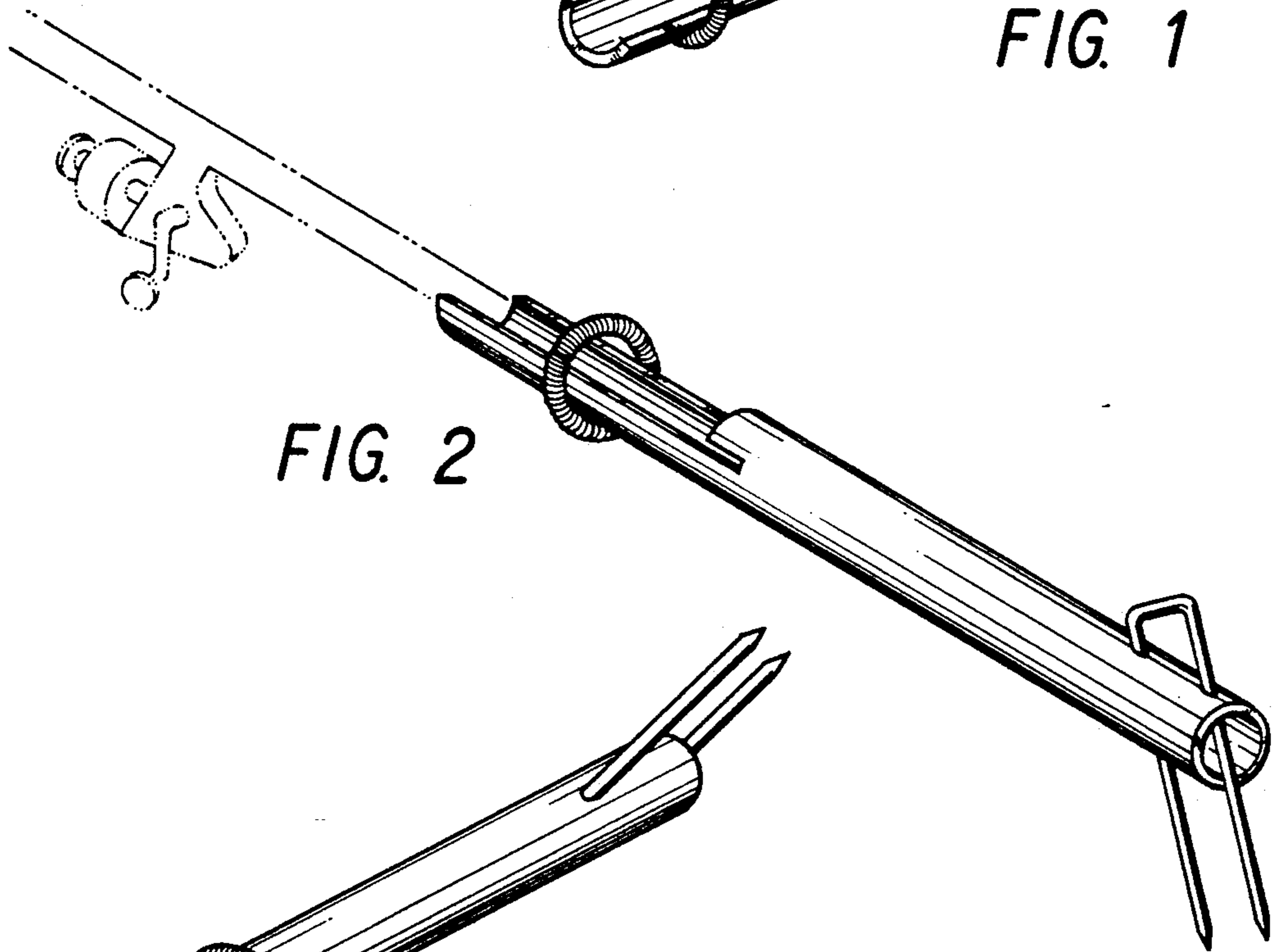


FIG. 2

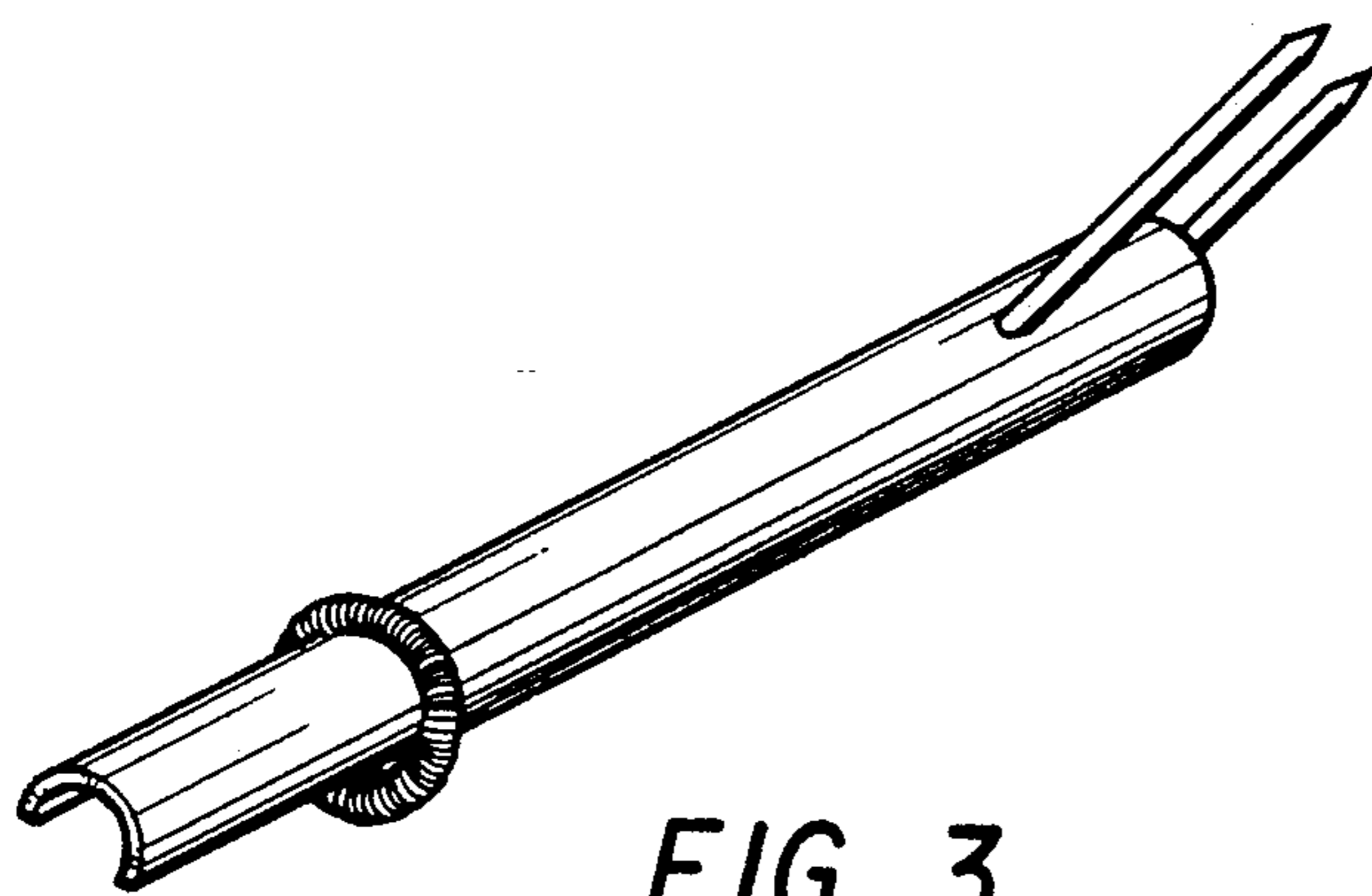


FIG. 3



FIG. 4

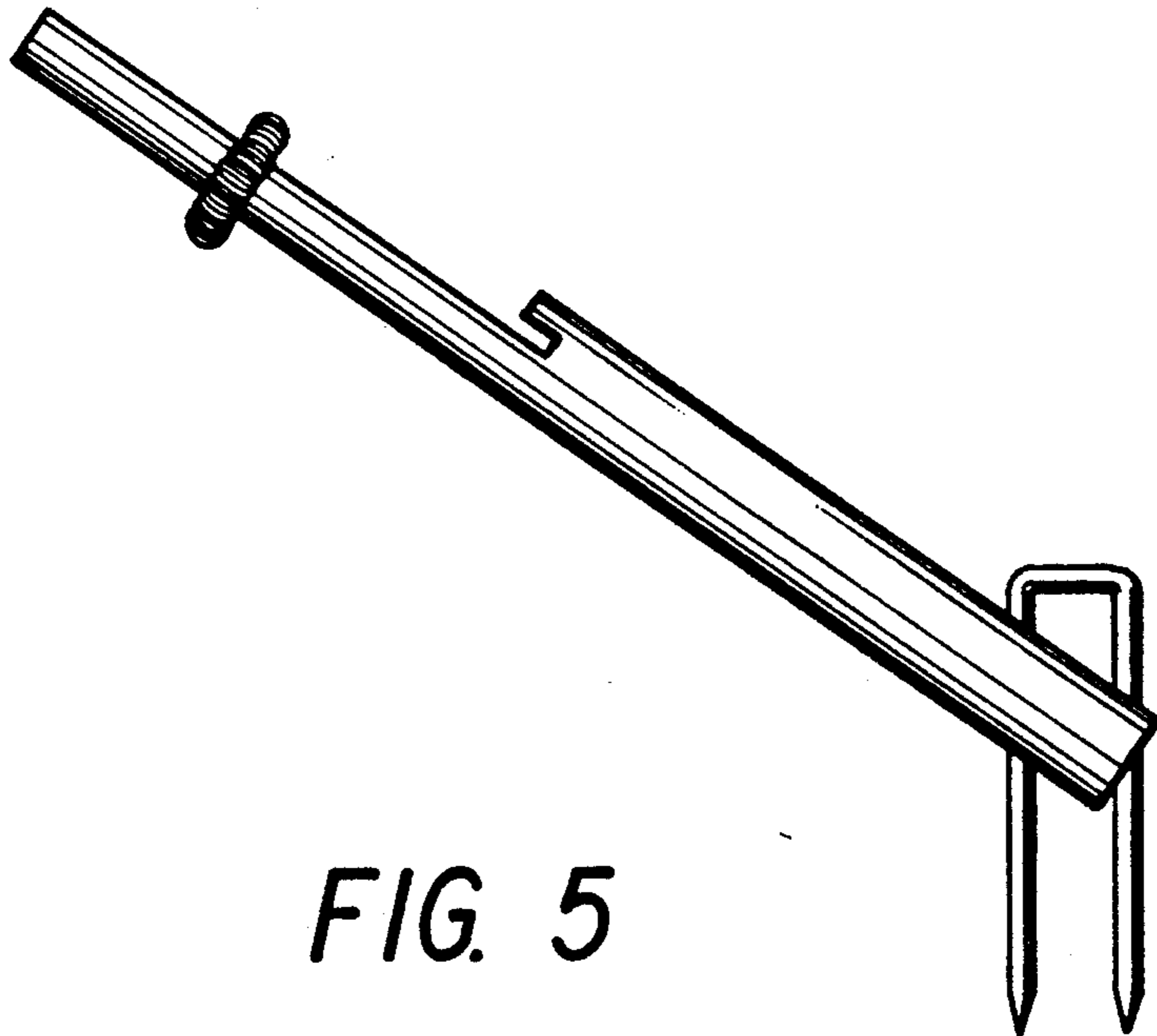


FIG. 5