



US00D333171S

United States Patent [19]

Gertler

[11] Patent Number: **Des. 333,171**

[45] Date of Patent: **** Feb. 9, 1993**

[54] **ROLLER SKATE**

[76] Inventor: **Robert Gertler, 23-10A Cpl.
Kennedy Ave., Bayside, N.Y. 11360**

[**] Term: **14 Years**

[21] Appl. No.: **703,999**

[22] Filed: **May 21, 1991**

[52] U.S. Cl. **D21/226**

[58] Field of Search **D21/224, 225, 226;
280/11.22, 11.23, 11.19, 11.26**

3,963,252 6/1976 Carlson 280/11.26
4,909,523 3/1990 Olsen 280/11.22

Primary Examiner—Bernard Ansher
Assistant Examiner—R. Barkai
Attorney, Agent, or Firm—Jay L. Chaskin

[57] CLAIM

The ornamental design for a roller skate, as shown and described.

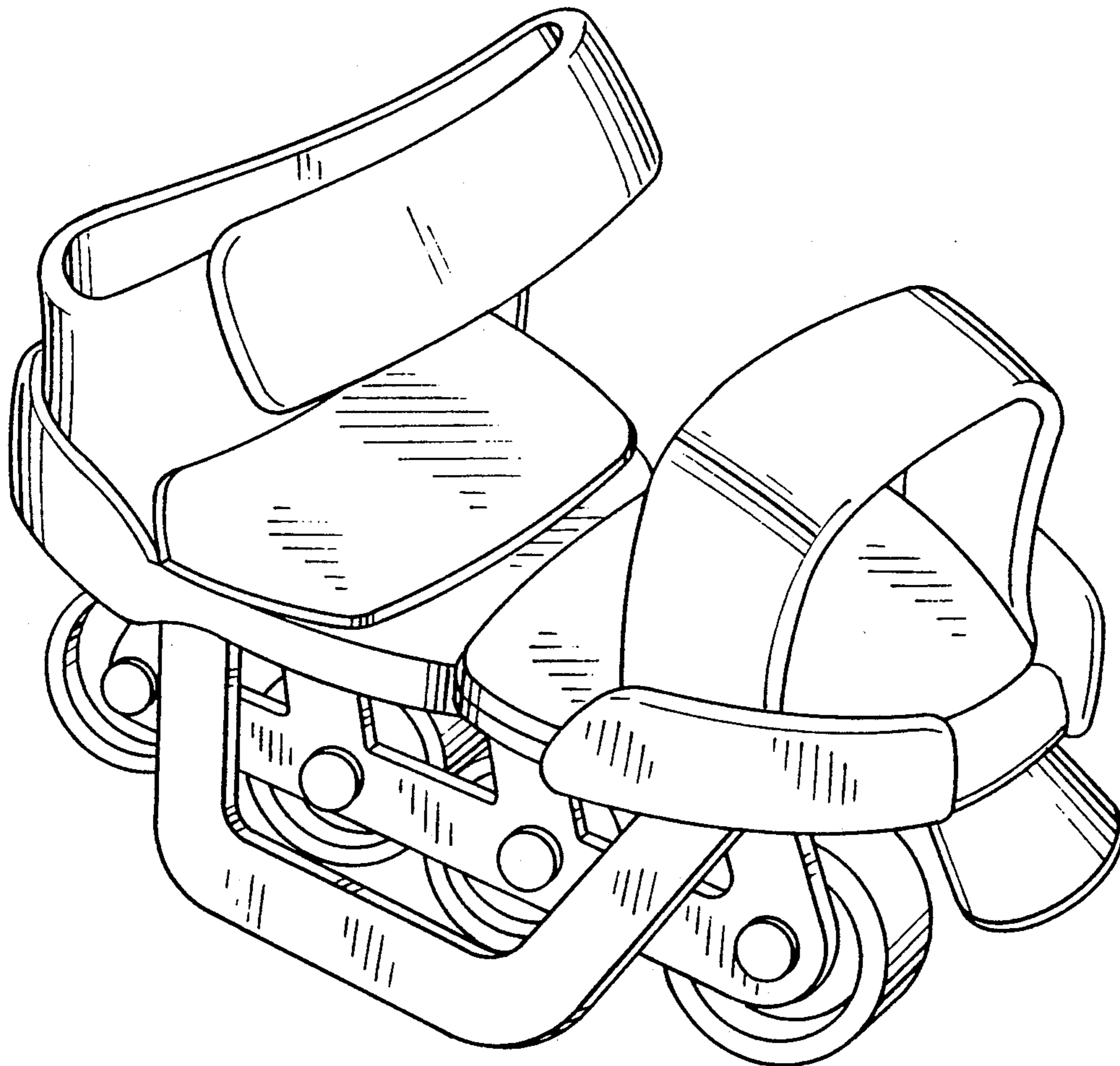
DESCRIPTION

FIG. 1 is a top perspective view of a roller skate showing my new design;
FIG. 2 is a front elevational view thereof;
FIG. 3 is a bottom perspective view thereof;
FIG. 4 is a rear perspective view thereof;
FIG. 5 is a top plan view thereof;
FIG. 6 is a bottom plan view thereof;
FIG. 7 is a right side elevational view thereof; and,
FIG. 8 is a left side elevational view thereof.

[56] **References Cited**

U.S. PATENT DOCUMENTS

D. 180,333	5/1957	Jones	280/11.19
D. 265,495	7/1982	Dominy	D21/226
D. 282,095	1/1986	Robjent	D21/226
D. 299,259	1/1989	Vullierme	D21/226
D. 315,940	4/1991	Wehmeyer	D21/226
3,355,185	11/1967	Carter	280/11.23



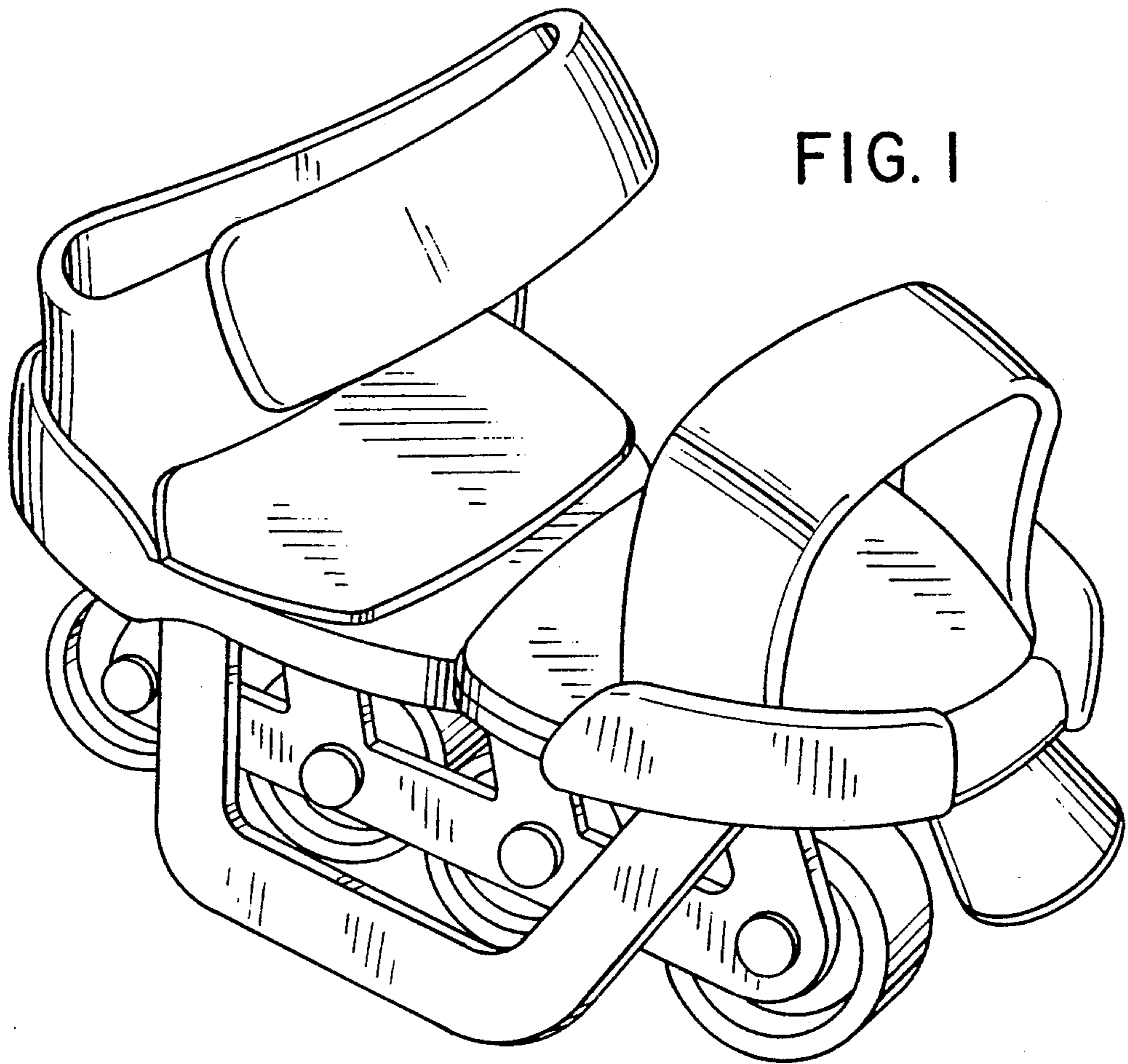
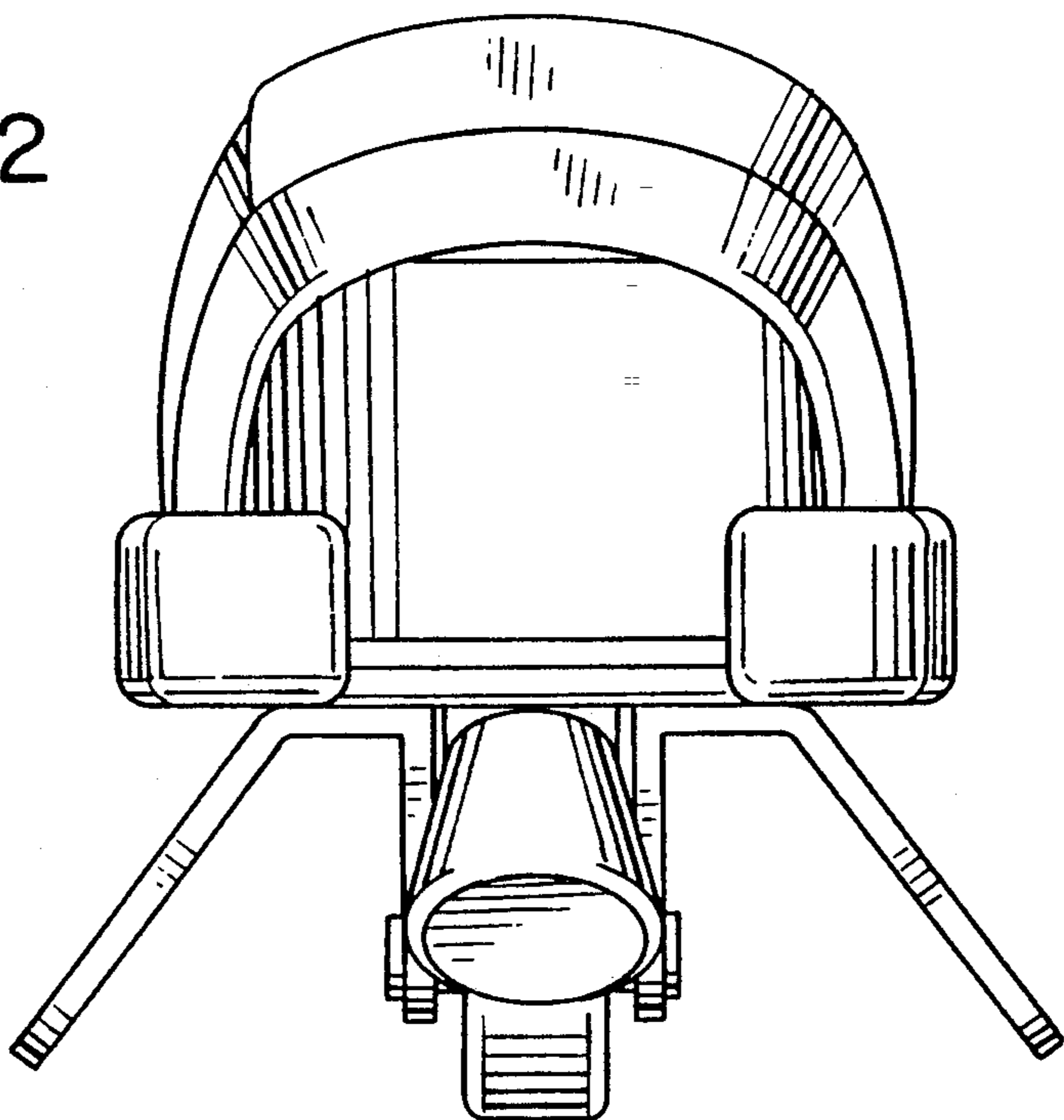


FIG. 1

FIG. 2



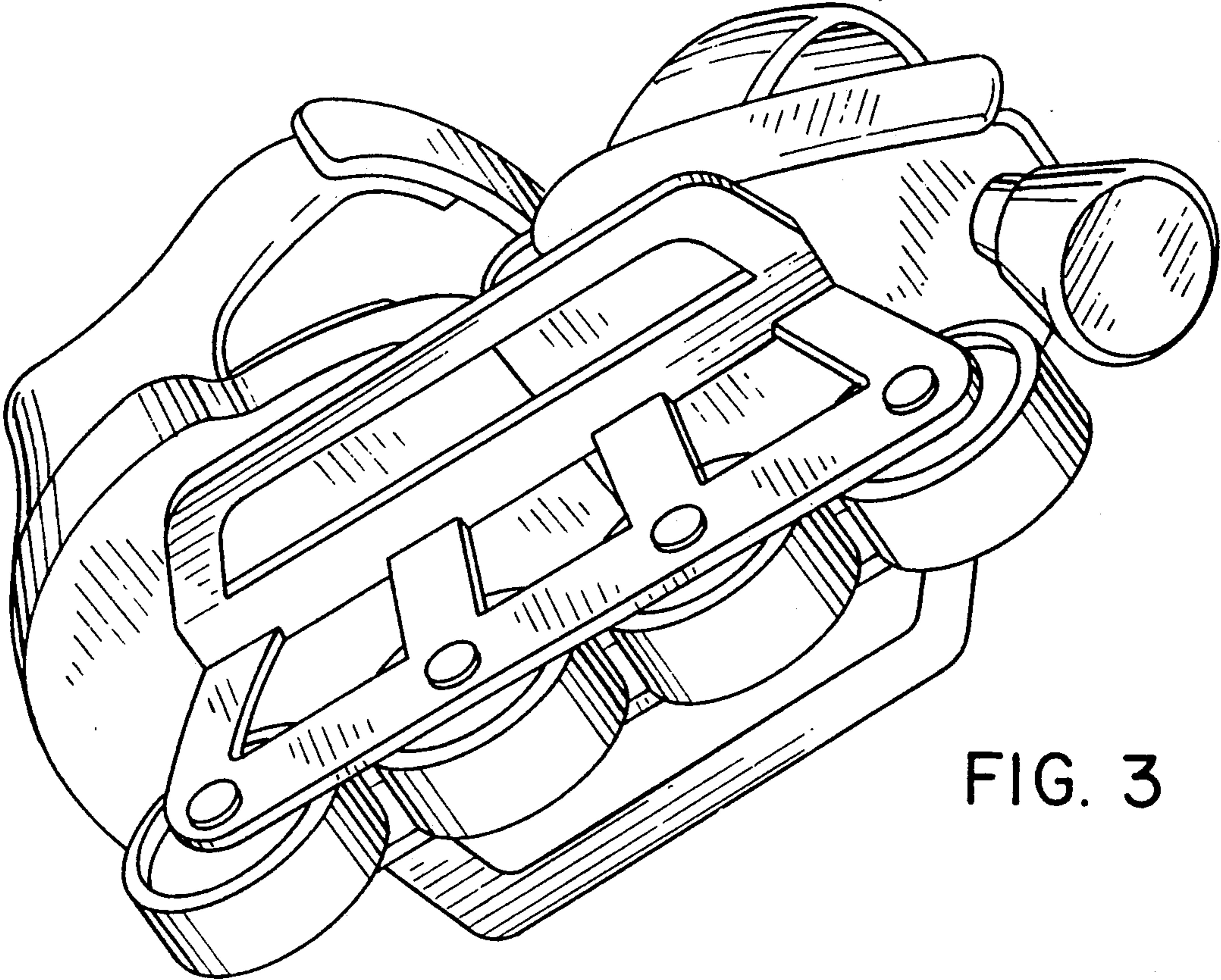


FIG. 3

FIG. 4

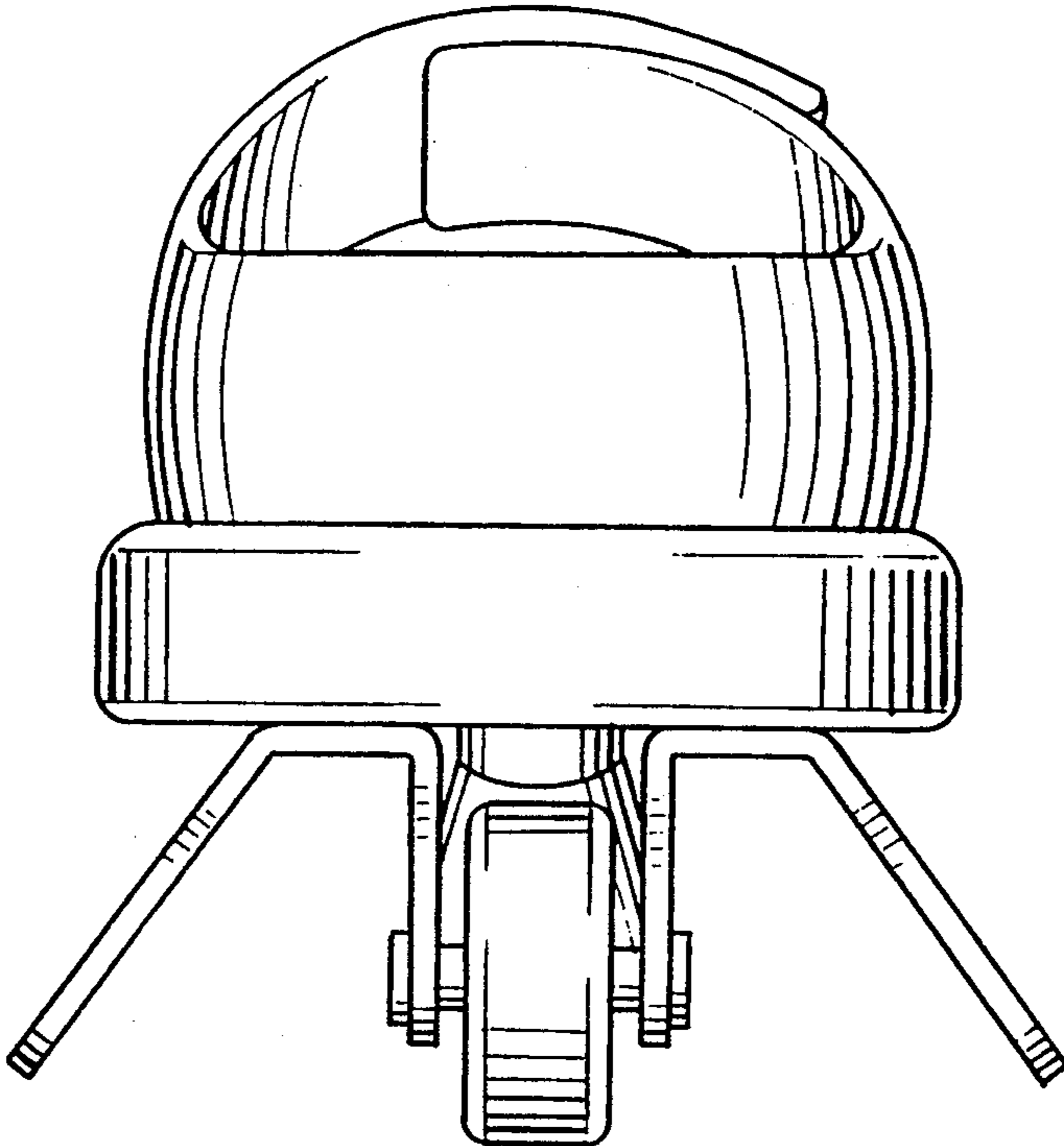


FIG. 5

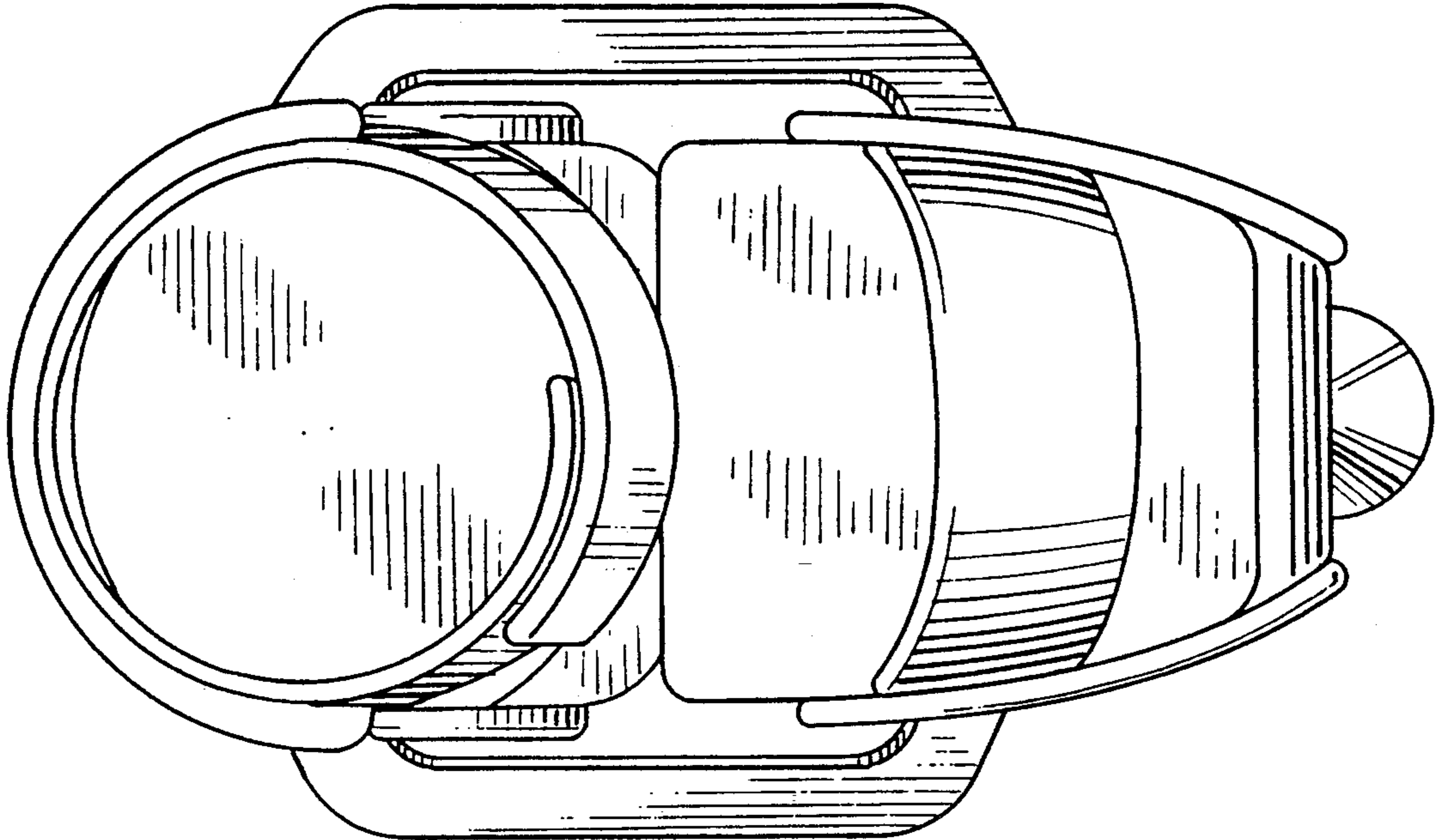


FIG. 6

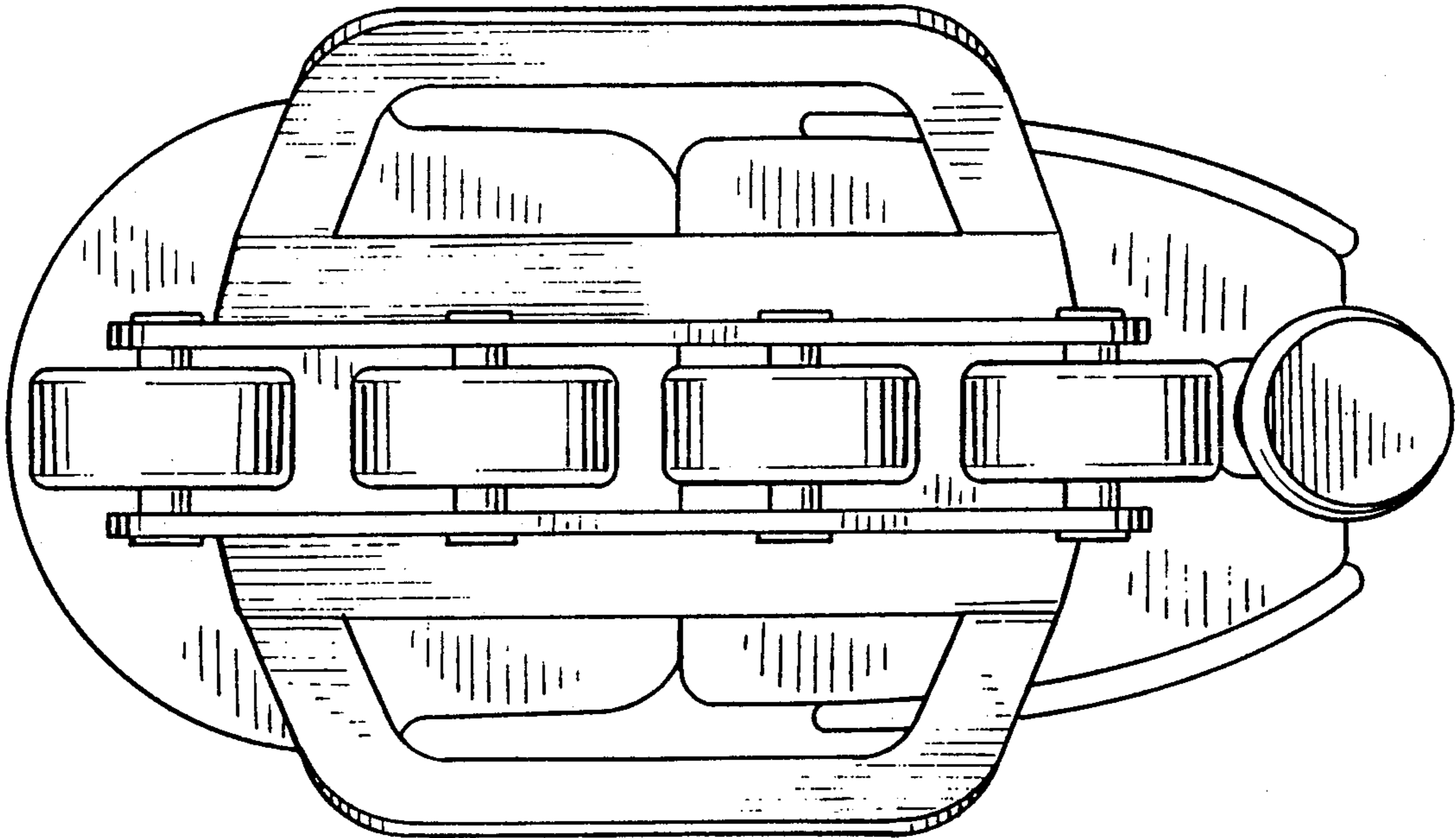


FIG. 7

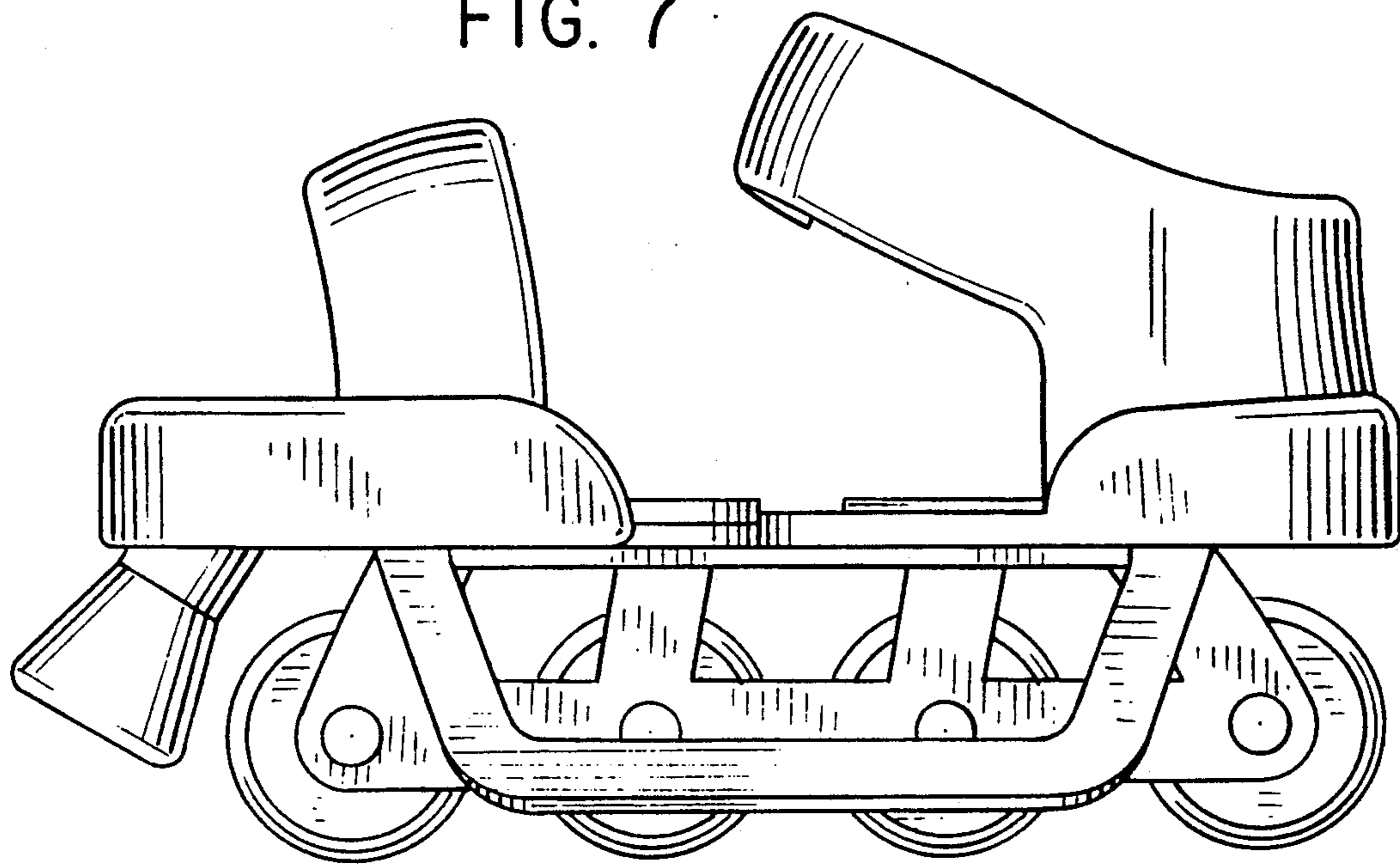


FIG. 8

