



US00D333160S

United States Patent [19]

[11] Patent Number: **Des. 333,160**

Collins

[45] Date of Patent: **** Feb. 9, 1993**

[54] **COMBINED BINGO PAPERS CLIPBOARD AND MARKING INSTRUMENT HOLDER**

- 3,811,680 5/1974 Benesch .
- 3,871,519 3/1975 Groomes .
- 4,337,861 7/1982 Smart .
- 4,453,714 6/1984 Houser .
- 4,500,091 2/1985 Rovsek .
- 4,502,658 3/1985 Wirt et al. .
- 4,795,162 1/1989 Rhetts .

[76] Inventor: **Sharon K. Collins**, 103 E. Burbank, Appleton City, Mo. 64724

[**] Term: **14 Years**

Primary Examiner—Alan P. Douglas
Assistant Examiner—Martha Thompson
Attorney, Agent, or Firm—Kenneth W. Iles

[21] Appl. No.: **429,863**

[22] Filed: **Oct. 31, 1989**

[52] U.S. Cl. **D19/88; D19/78; D19/90; D19/85; D21/54**

[58] Field of Search **D6/475, 420; D21/54; D19/35, 36, 52, 65, 69, 75, 81-85, 86, 88, 90, 91; 273/136 G, 148 A, 269, 309; 248/441.1, 442.2, 444.1, 452**

[57] CLAIM

The ornamental design for a combined bingo paper clipboard and marking instrument holder, as shown and described.

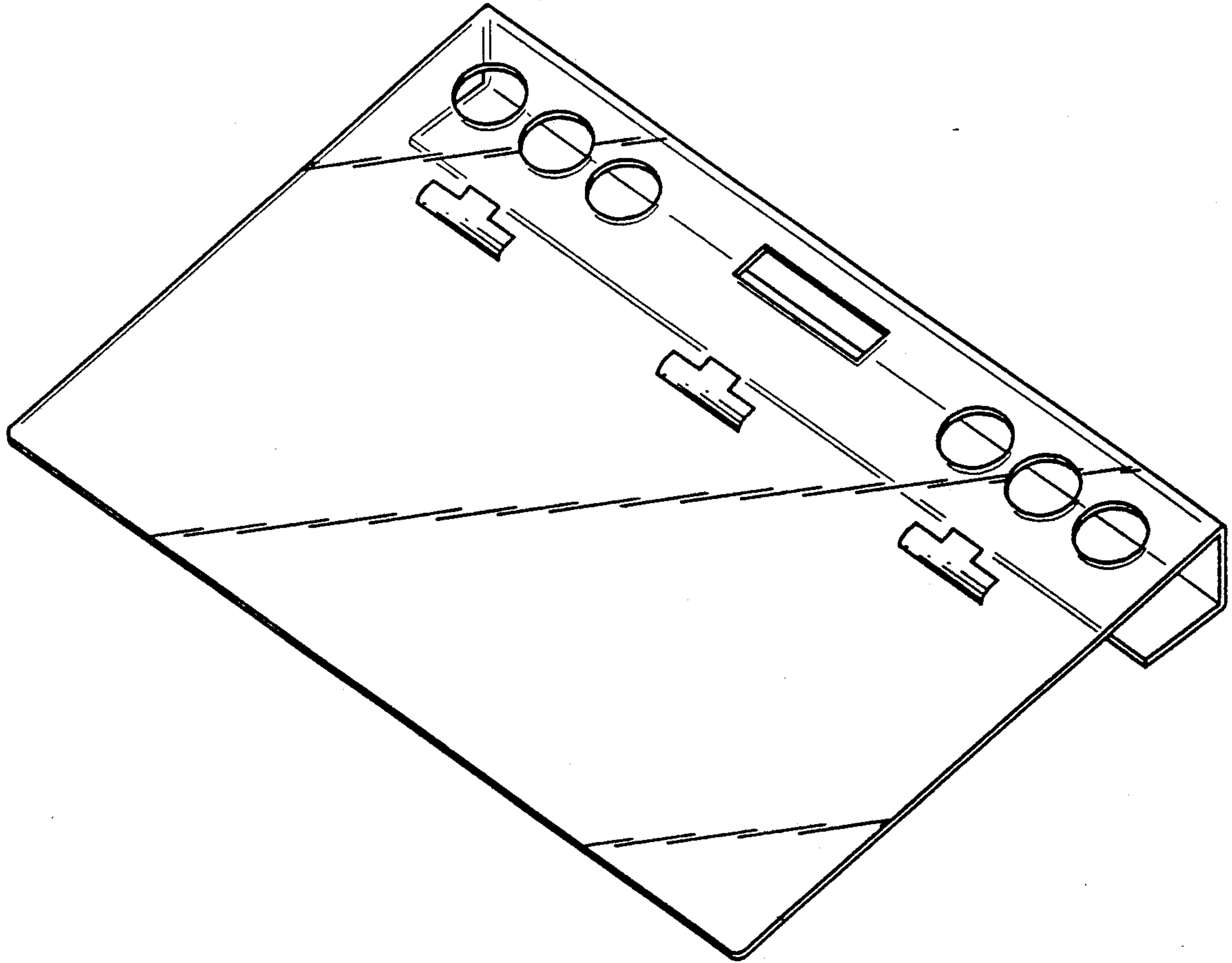
DESCRIPTION

[56] References Cited

U.S. PATENT DOCUMENTS

- | | | | | |
|------------|--------|----------------|-------|----------|
| D. 159,473 | 8/1950 | Cottier | | D19/88 X |
| D. 208,512 | 9/1967 | Waltz | | D19/69 |
| D. 247,015 | 1/1978 | Fowlie | | D6/475 |
| D. 263,361 | 3/1982 | Johnson et al. | | D6/420 X |
| D. 291,315 | 8/1987 | Belford et al. | | D14/114 |
| D. 303,401 | 9/1989 | Cross et al. | | D19/88 |
| D. 315,366 | 3/1991 | Greenspahn | | D19/52 |

FIG. 1 is a top, right front perspective view of a combined bingo papers clipboard and marking instrument holder showing my new design; FIG. 2 is a front elevational view; FIG. 3 is a rear elevational view; FIG. 4 is a right side elevational view; FIG. 5 is a left side elevational view; FIG. 6 is a bottom plan view; and, FIG. 7 is a top plan view thereof.



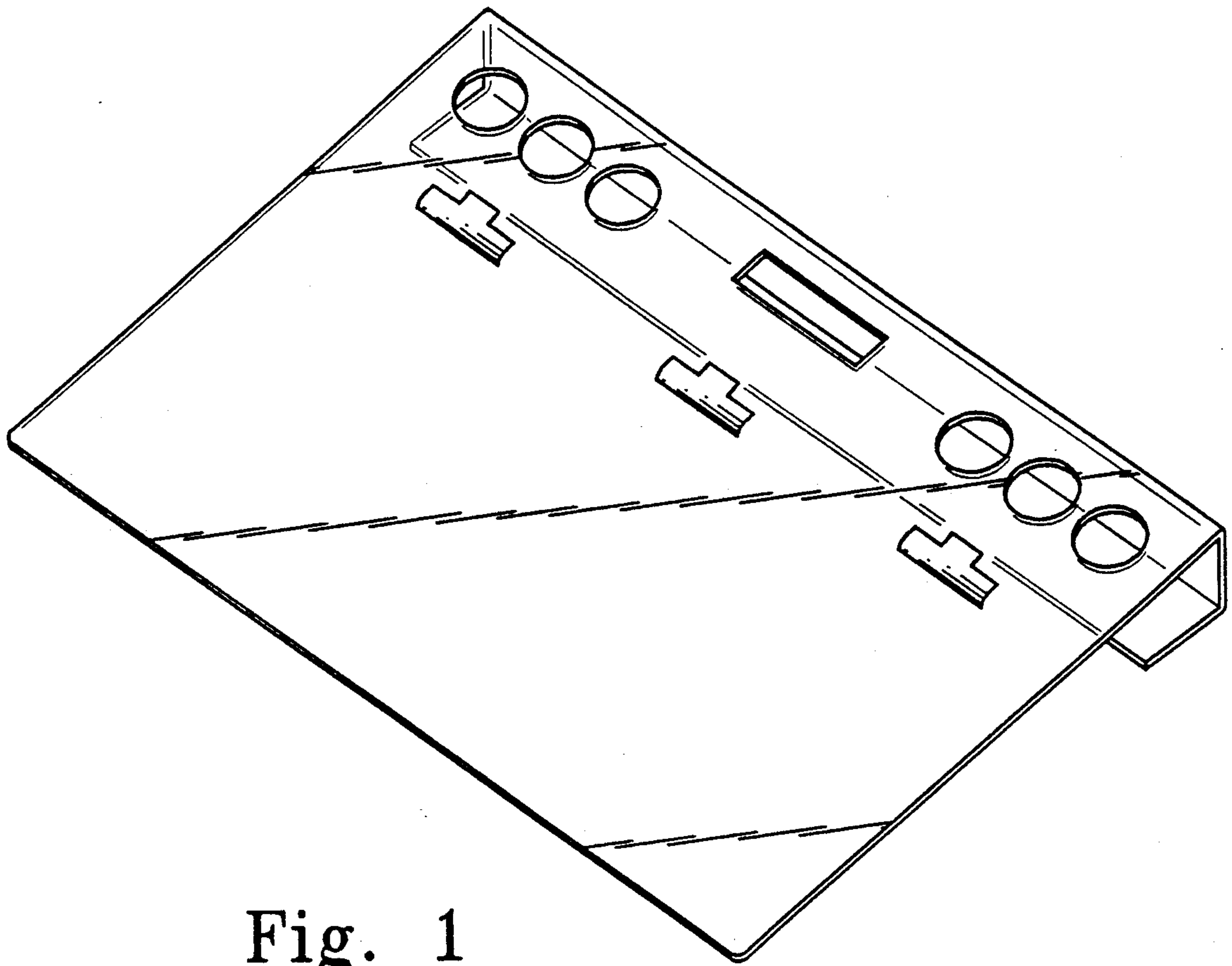


Fig. 1

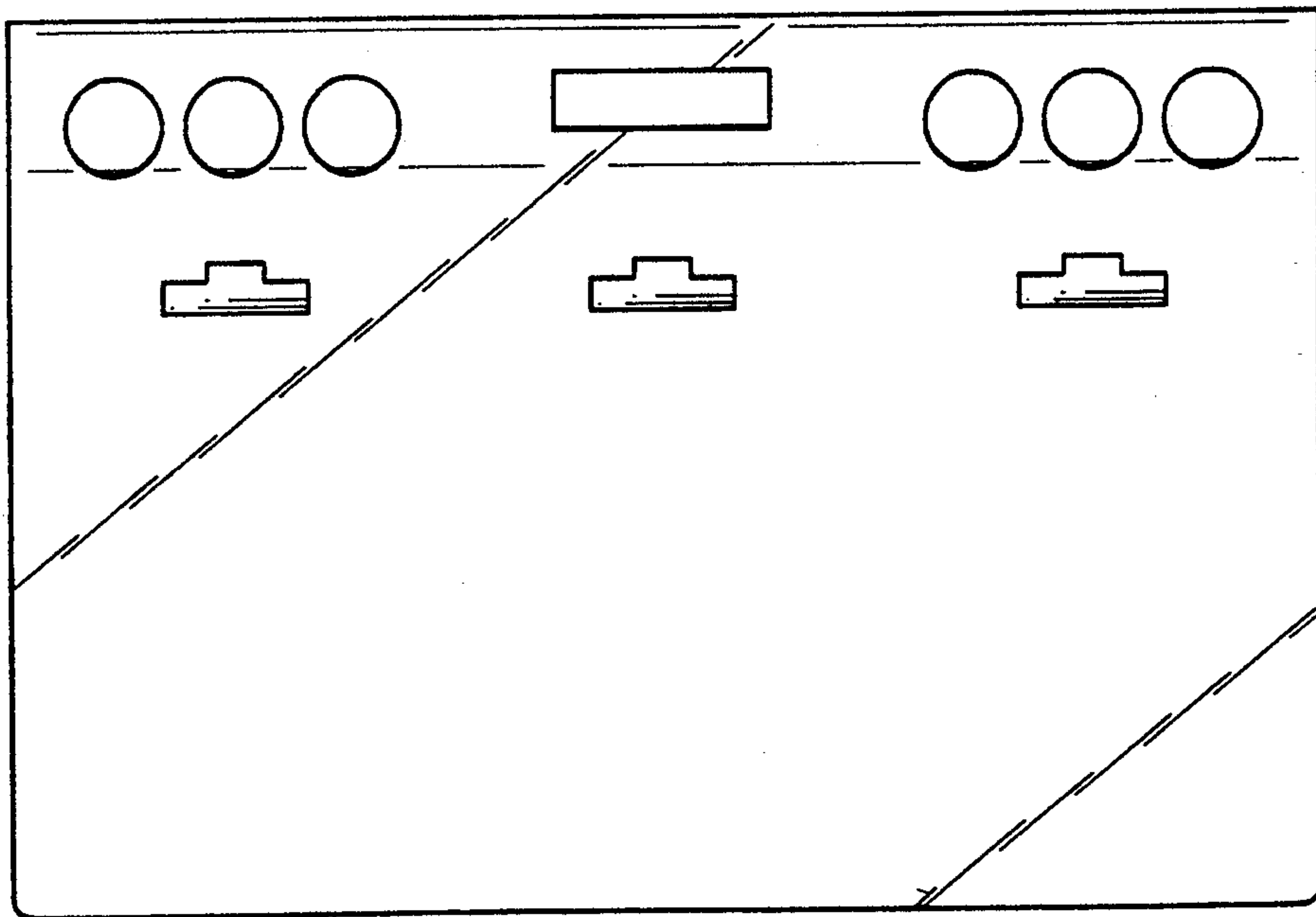


Fig. 2

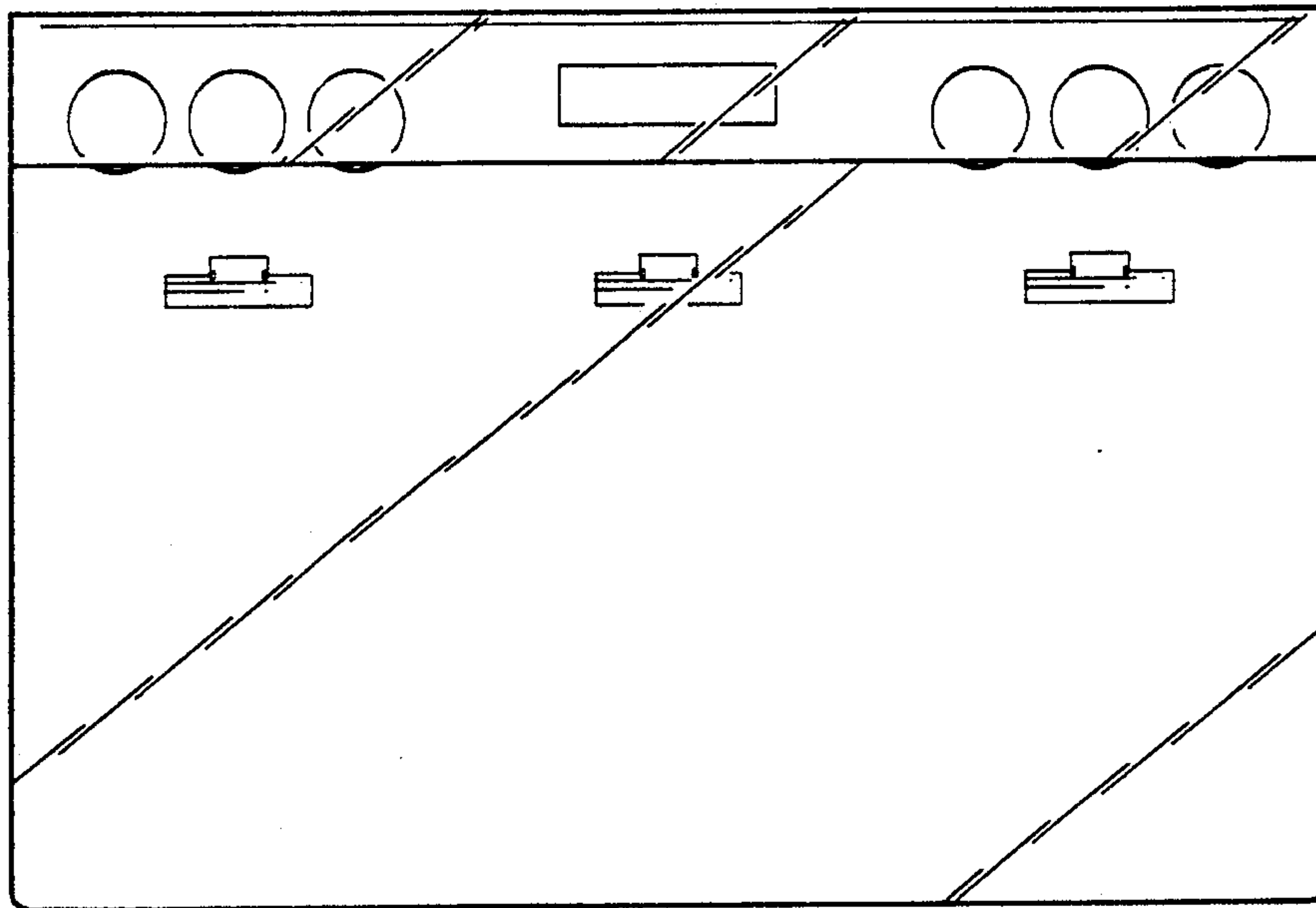


Fig. 3



Fig. 4



Fig. 5

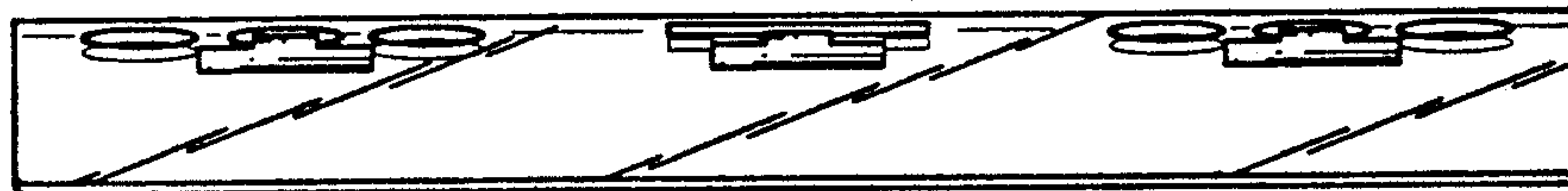


Fig. 6

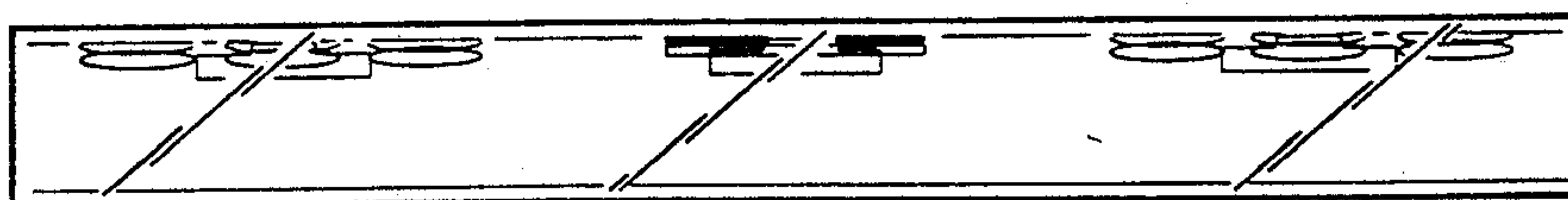


Fig. 7