



US00D333157S

United States Patent [19]

[11] Patent Number: **Des. 333,157**

Kirchner

[45] Date of Patent: **** Feb. 9, 1993**

[54] **PAPER CLIP DISPENSER**

[56] **References Cited**

[75] Inventor: **Balthasar Kirchner, Eferding, Austria**

U.S. PATENT DOCUMENTS

D. 46,982	2/1915	Childerhose	D6/515
D. 94,136	12/1936	Guild	D19/77
D. 156,041	11/1949	Sambito	D6/518
D. 175,761	10/1955	Collins, Jr.	D19/69
D. 187,955	5/1960	Restaino et al.	D6/515
D. 195,096	4/1963	Broerem et al.	D6/518
D. 250,035	10/1978	Kajiwara	D19/73
D. 269,148	5/1983	Trkla et al.	D9/428 X
D. 282,380	1/1986	King	D19/75
D. 310,617	9/1990	Pozzi	D9/428
716,732	10/1902	Mead	30/156 X
2,371,448	3/1945	Kendig	D28/91 X

[73] Assignee: **Ernst Stadelmann Gesellschaft m.b.H, Eferding, Austria**

[**] Term: **14 Years**

[21] Appl. No.: **569,662**

Primary Examiner—Nelson C. Holtje
Assistant Examiner—Martha Thompson
Attorney, Agent, or Firm—Herbert Dubno; Ronald Lianides

[22] Filed: **Aug. 17, 1990**

[30] **Foreign Application Priority Data**

Feb. 22, 1990	[AT]	Austria	27886
Feb. 22, 1990	[AT]	Austria	27887
Feb. 22, 1990	[AT]	Austria	27888
Feb. 22, 1990	[AT]	Austria	27889
Feb. 22, 1990	[AT]	Austria	27890
Feb. 22, 1990	[AT]	Austria	27891
Feb. 22, 1990	[AT]	Austria	27892

[57] **CLAIM**

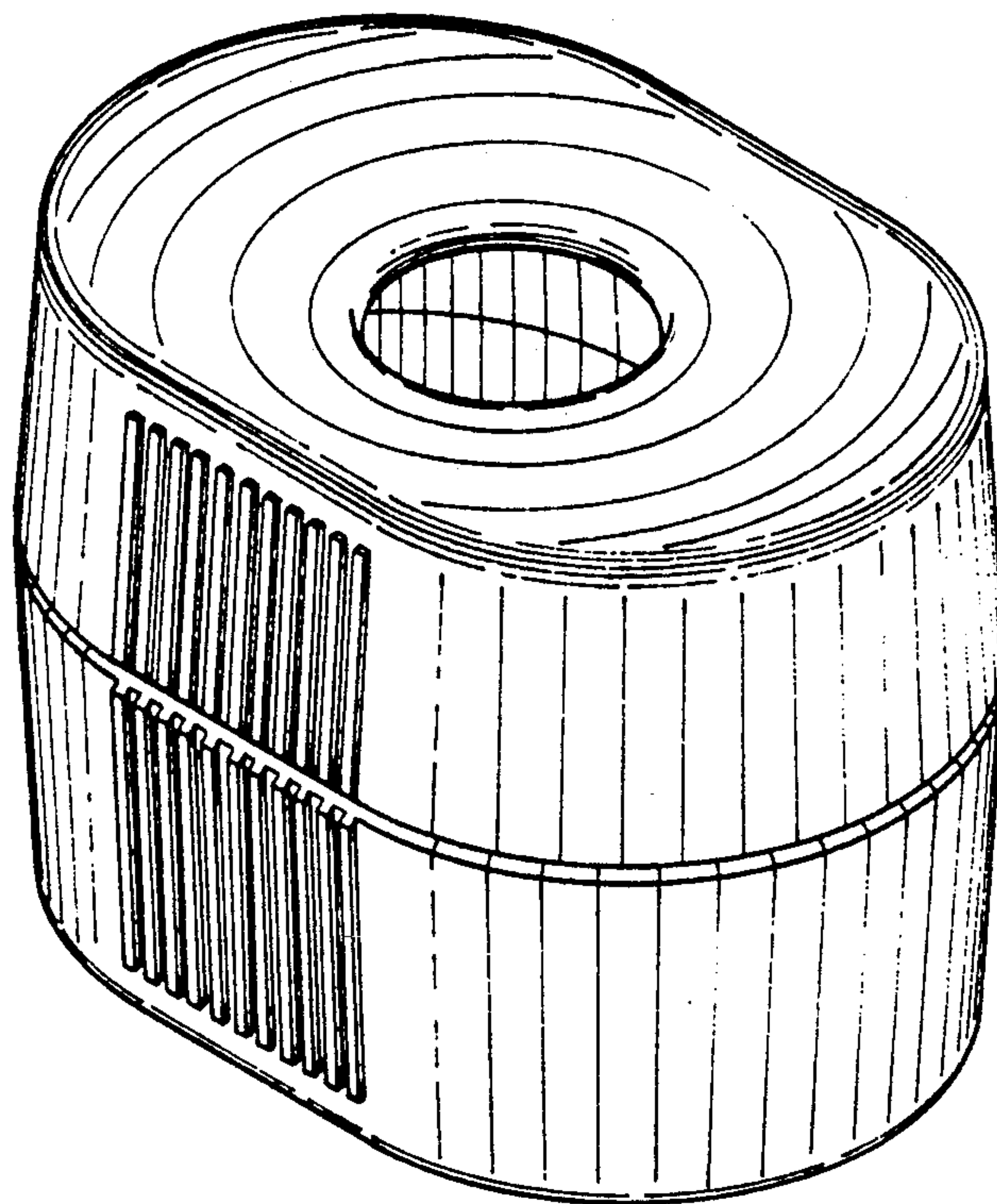
The ornamental design for a paper clip dispenser, as shown and described.

[52] U.S. Cl. **D19/75; D6/515; D19/77; D9/428**

DESCRIPTION

[58] Field of Search D9/371, 377, 428, 435; D6/515, 518; D28/73, 76, 91; D19/65, 75, 92, 73, 95, 99, 100; 30/156; 206/214, 371, 338; 221/34, 35, 45, 46

FIG. 1 is a front elevational view of a paper clip dispenser showing my new design, the rear view being identical thereto;
FIG. 2 is a side elevational view, the side opposite being identical thereto;
FIG. 3 is a top plan view thereof;
FIG. 4 is a bottom plan view thereof; and,
FIG. 5 is a top front perspective view thereof drawn to an enlarged scale.



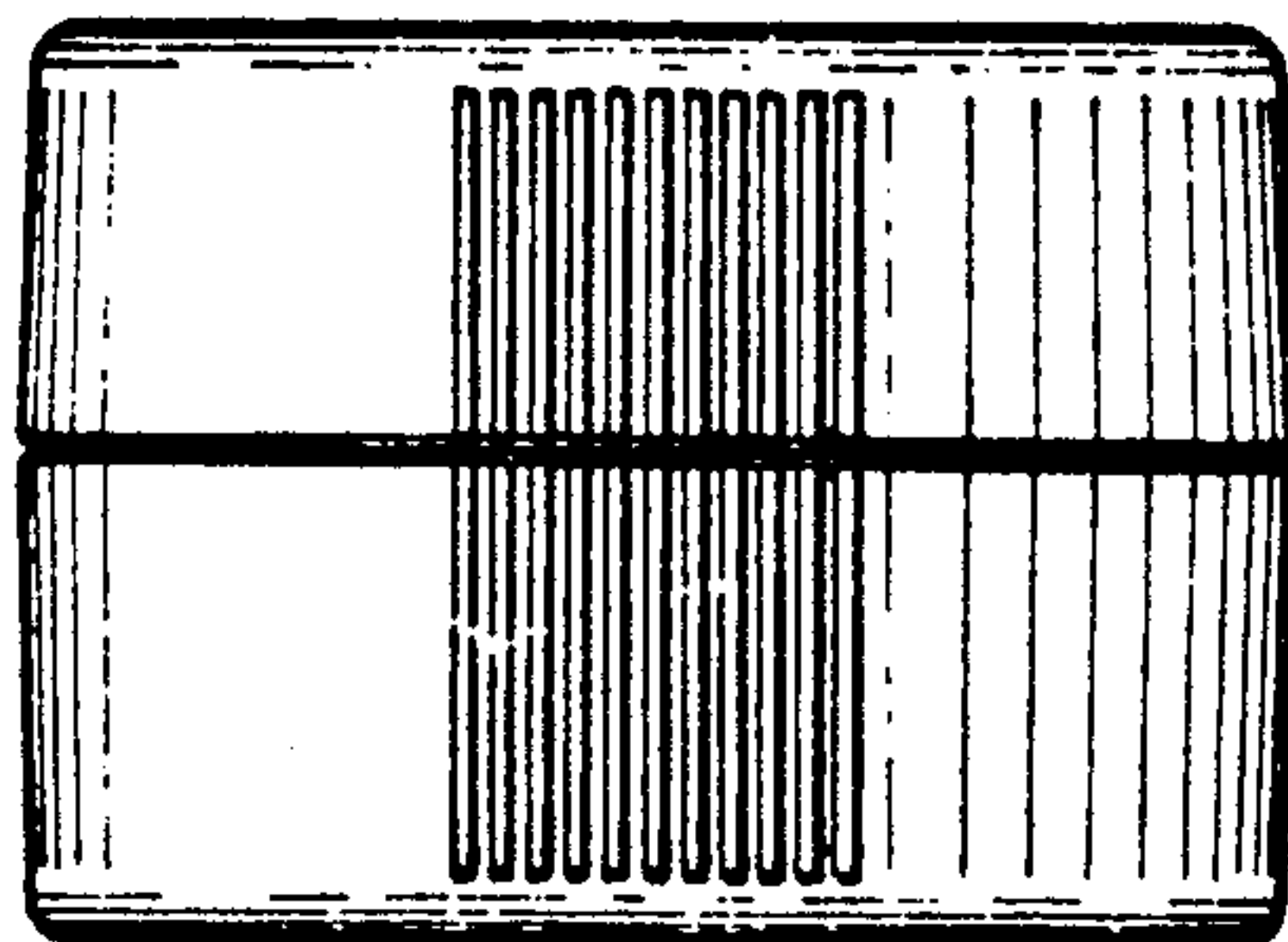


FIG. 1

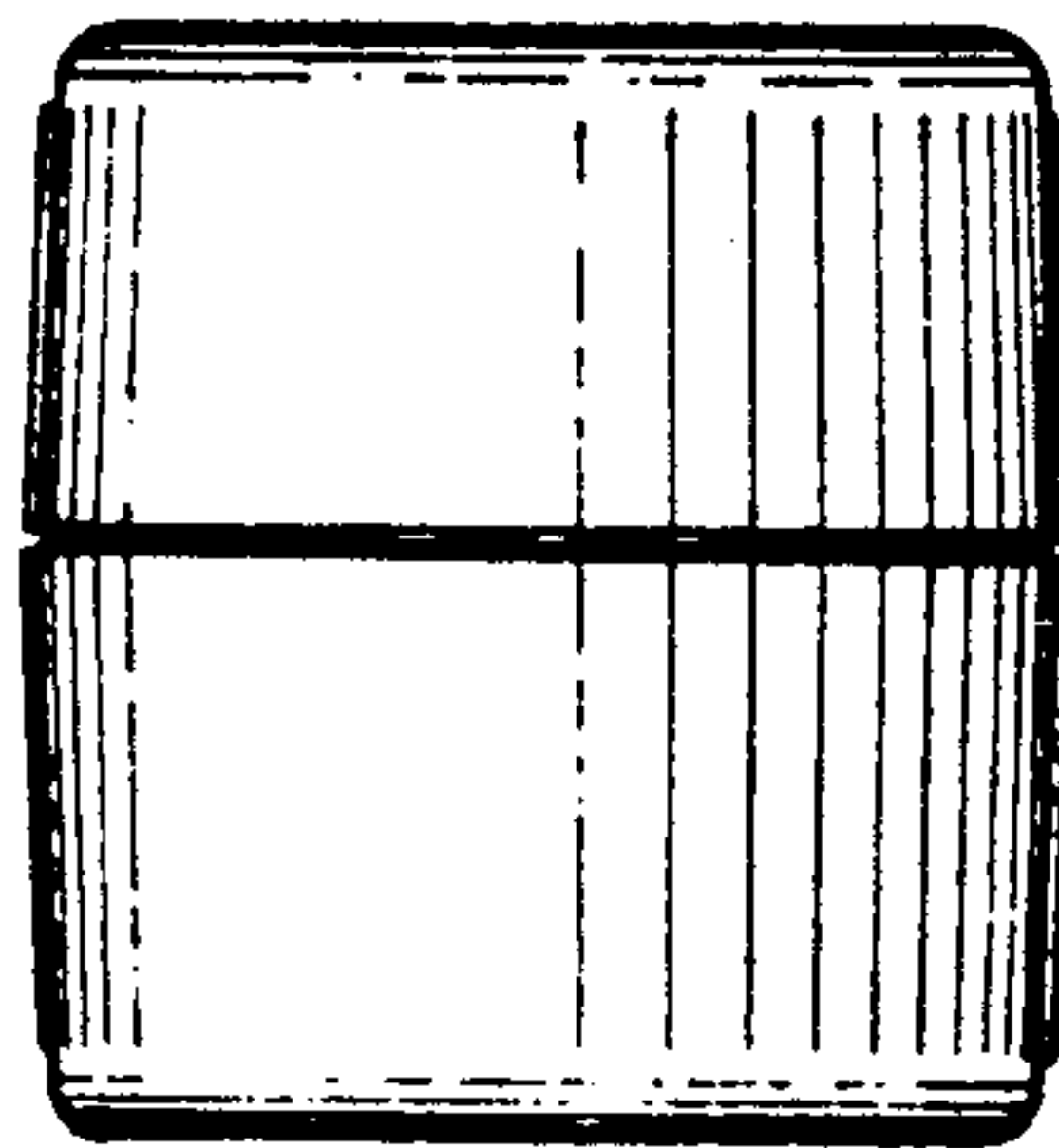


FIG. 2

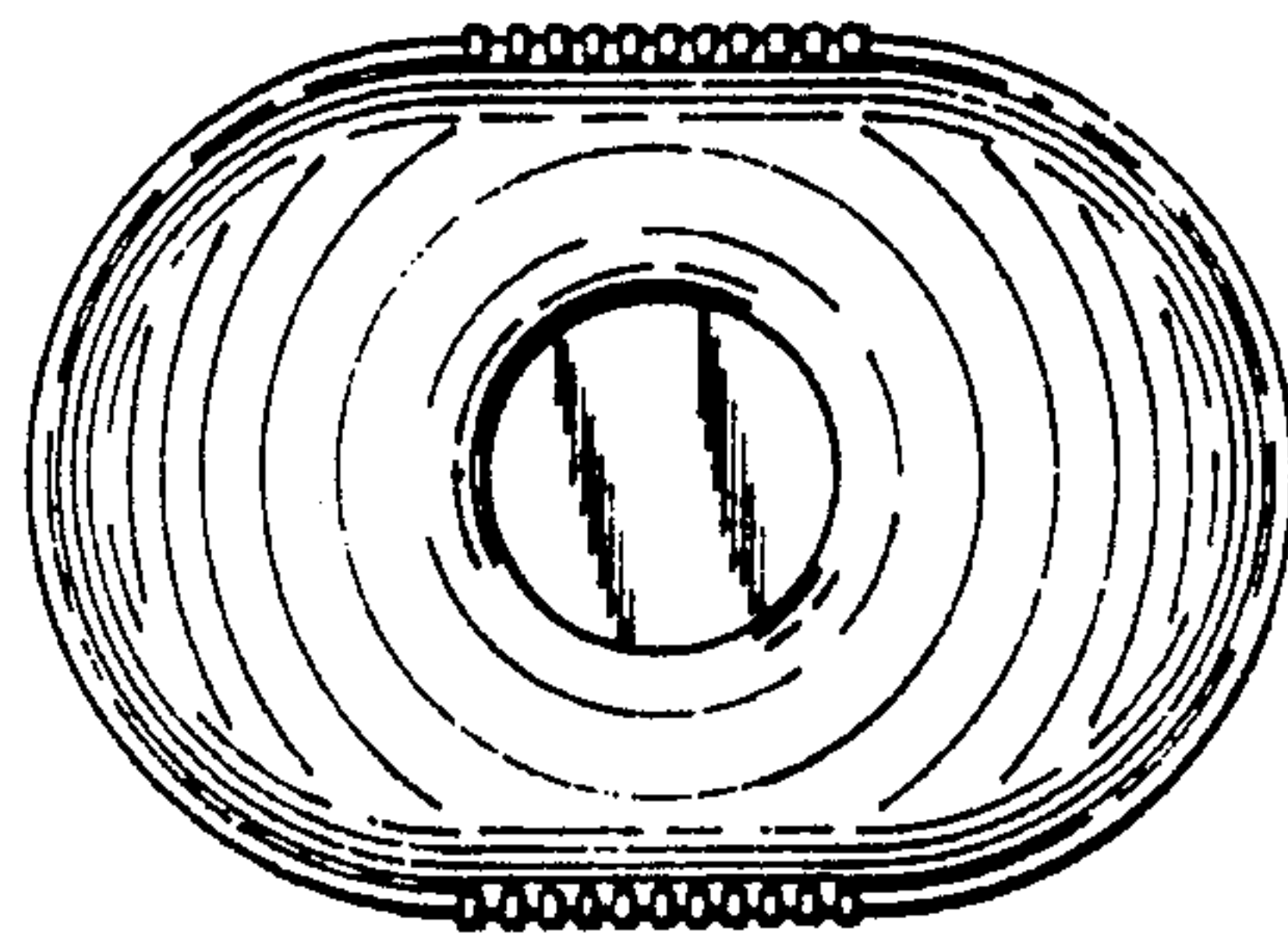


FIG. 3

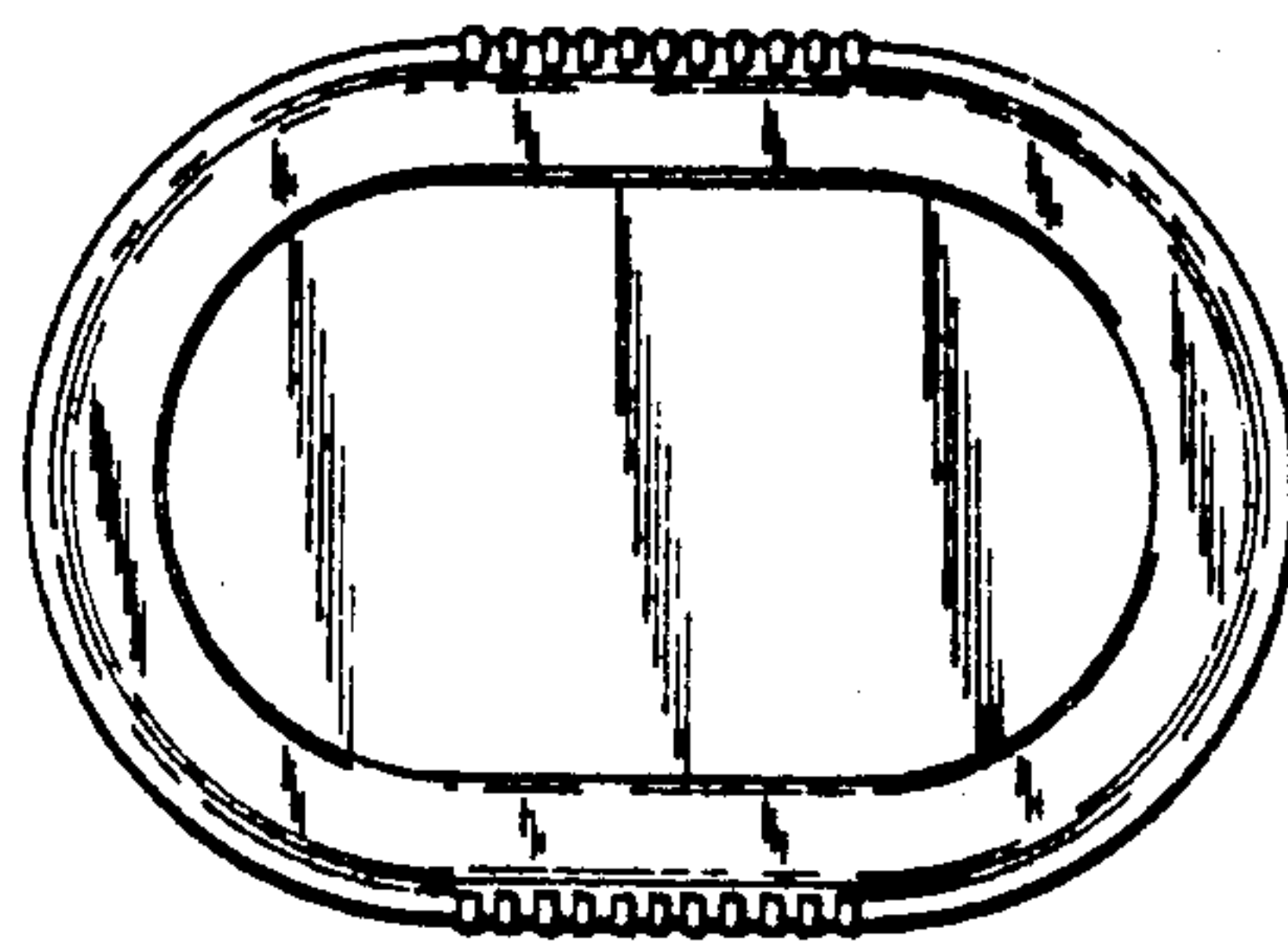


FIG. 4

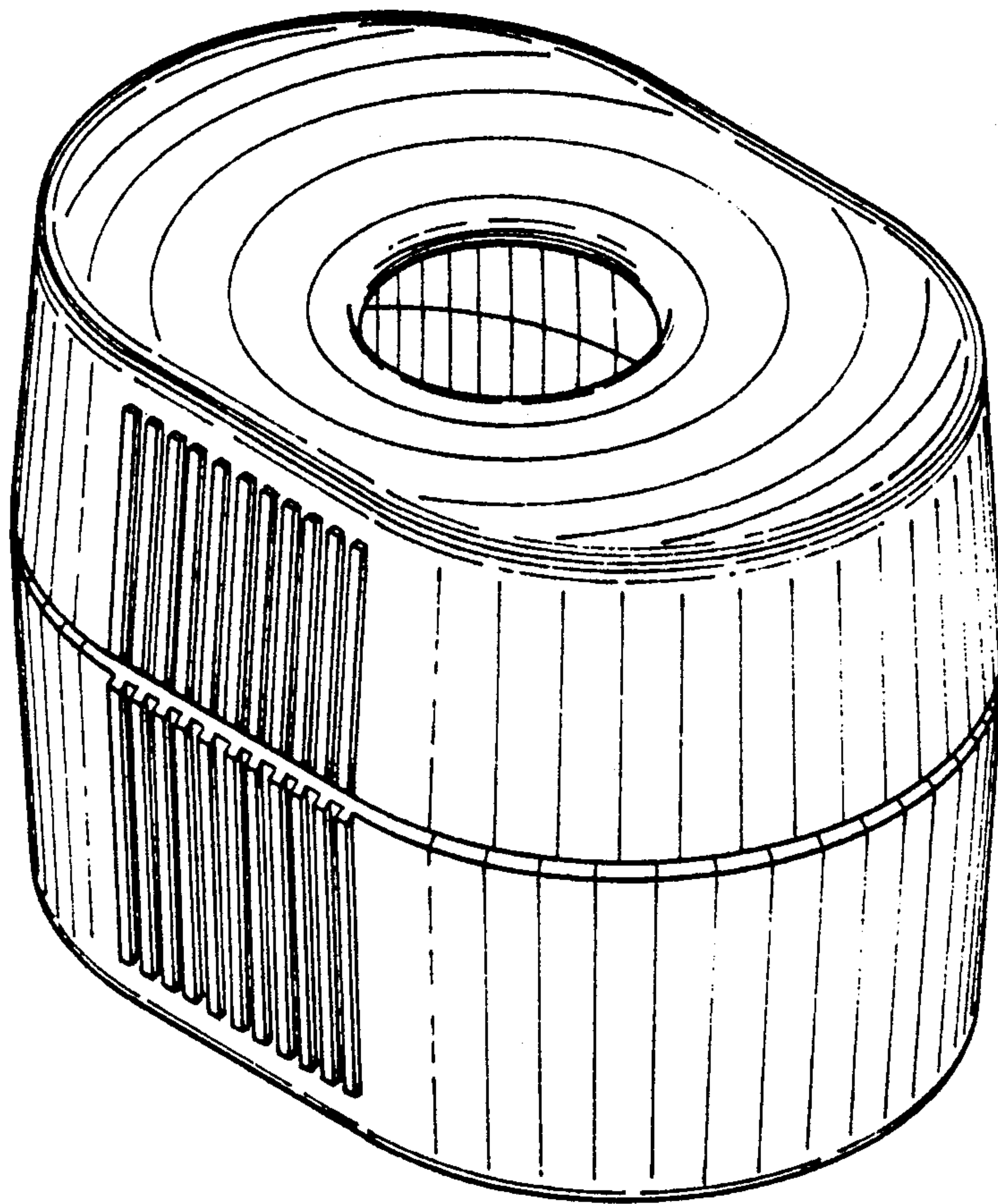


FIG. 5