



US00D333156S

# United States Patent [19]

[11] Patent Number: **Des. 333,156**

Peersmann

[45] Date of Patent: **\*\* Feb. 9, 1993**

[54] **TAPE DISPENSER**

[75] Inventor: **Richard F. M. Peersmann,**  
Scheveningen, Netherlands

[73] Assignee: **Pollyflame International B.V.,**  
Netherlands

[\*\*] Term: **14 Years**

[21] Appl. No.: **689,606**

[22] Filed: **Apr. 22, 1991**

[30] **Foreign Application Priority Data**

Dec. 19, 1990 [WO] World Int. Prop. O. .... 018391

[52] U.S. Cl. .... **D19/69; D19/65;**  
D19/67; D19/96; D19/68

[58] Field of Search ..... D10/68; D19/65, 67,  
D19/68, 69, 81-85, 95, 96, 97, 99, 100;  
211/69.1-69.9; 225/6, 7, 19, 34, 45, 54, 56, 65,  
77, 89

[56] **References Cited**

**U.S. PATENT DOCUMENTS**

- D. 122,265 9/1940 Haule ..... D19/96 X
- D. 132,980 7/1942 Robbins ..... D19/97
- D. 186,920 12/1959 Michael et al. .... D19/69
- D. 194,707 2/1963 Stuart, III ..... D10/68

- D. 228,412 9/1973 Macowski ..... D19/69
- D. 228,579 10/1973 Stahel, II ..... D19/69
- D. 274,825 7/1984 Lissoni ..... D19/69
- D. 311,790 10/1990 Krief ..... D10/68
- 961,972 6/1910 Littig ..... 211/69.2
- 1,745,799 2/1930 Johnson et al. .... 211/69.6
- 1,762,103 6/1930 Ferris ..... 211/69.5

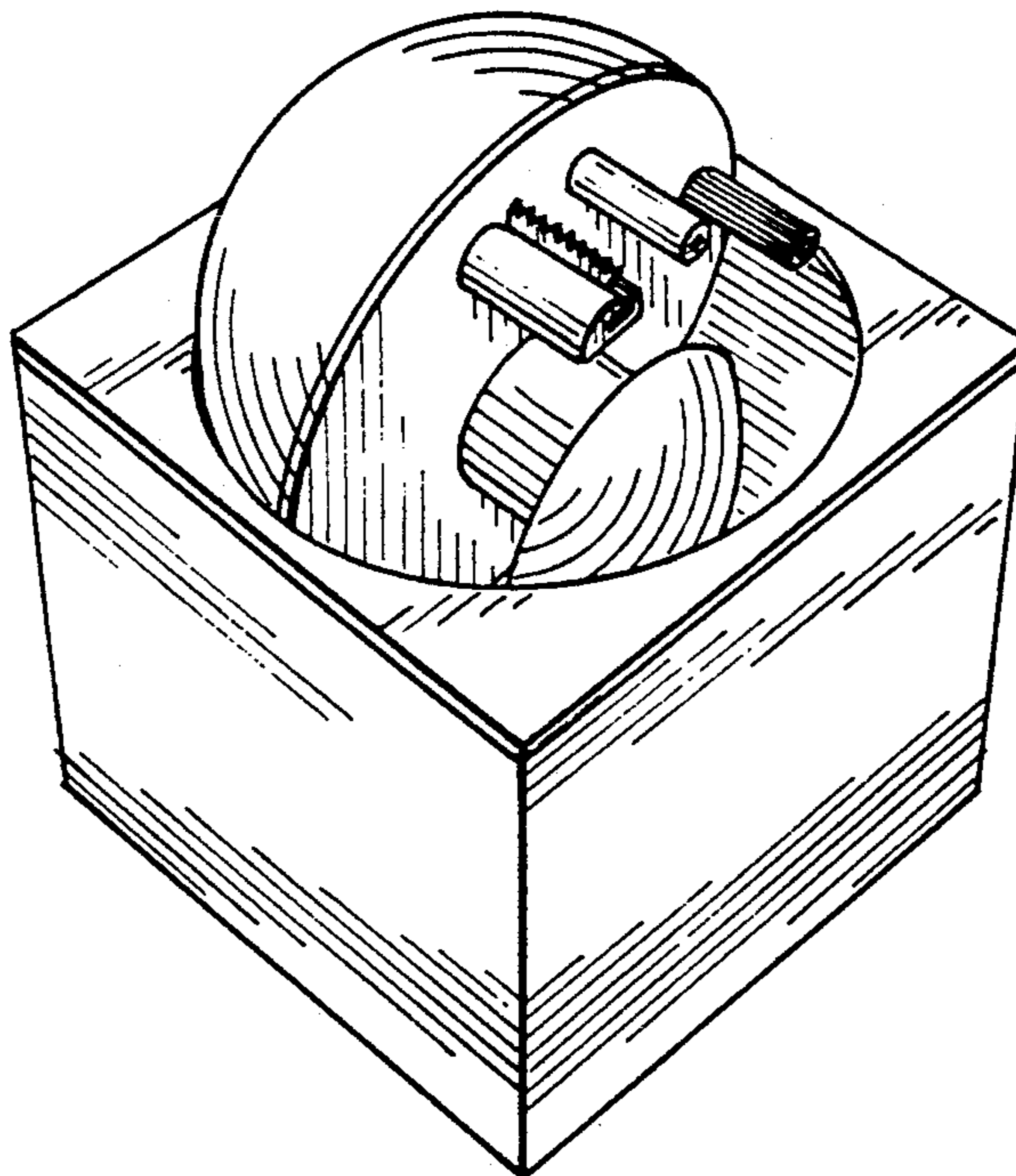
*Primary Examiner*—Nelson C. Holtje  
*Assistant Examiner*—Martha Thompson  
*Attorney, Agent, or Firm*—Ladas & Parry

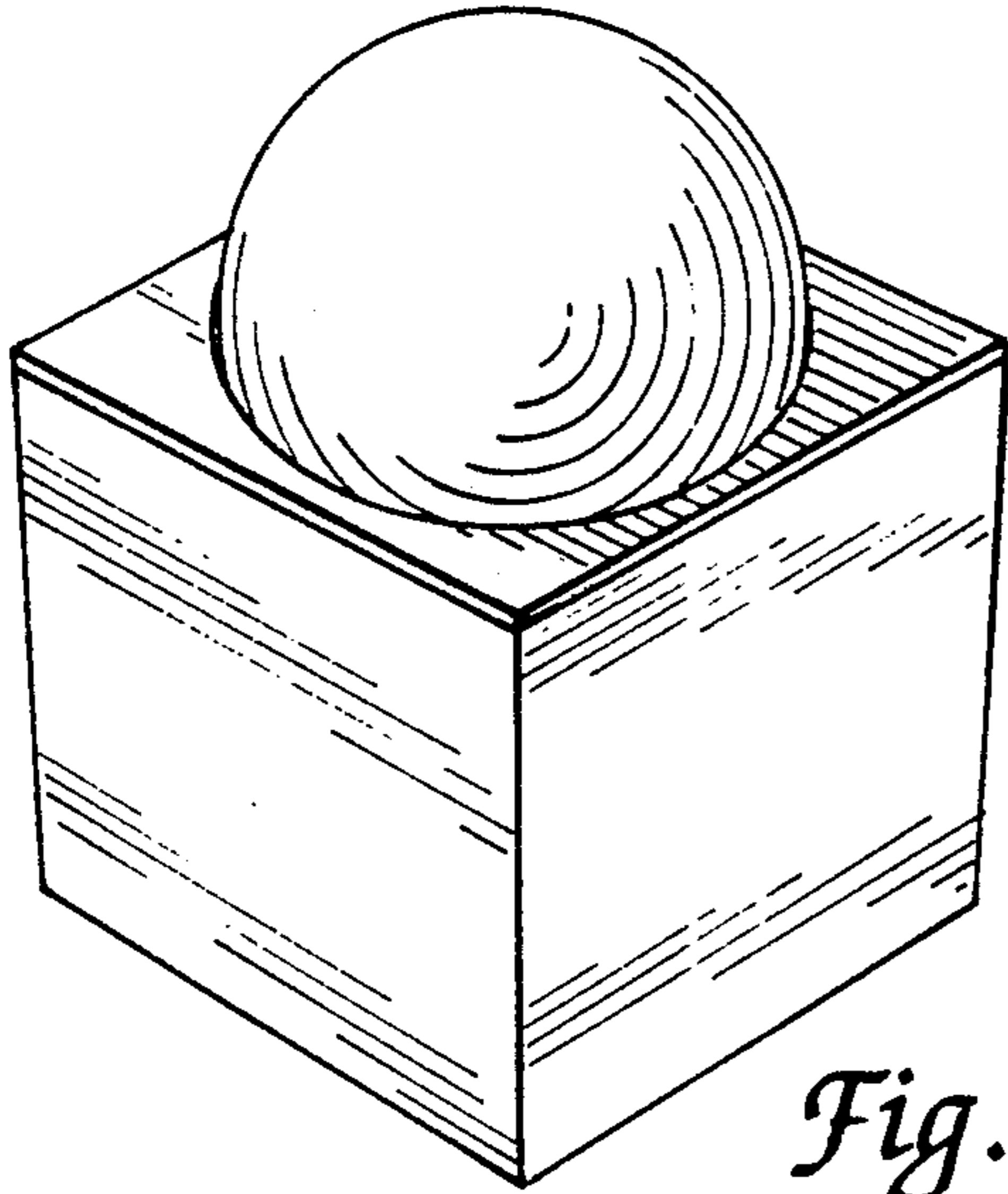
[57] **CLAIM**

The ornamental design for a tape dispenser, as shown and described.

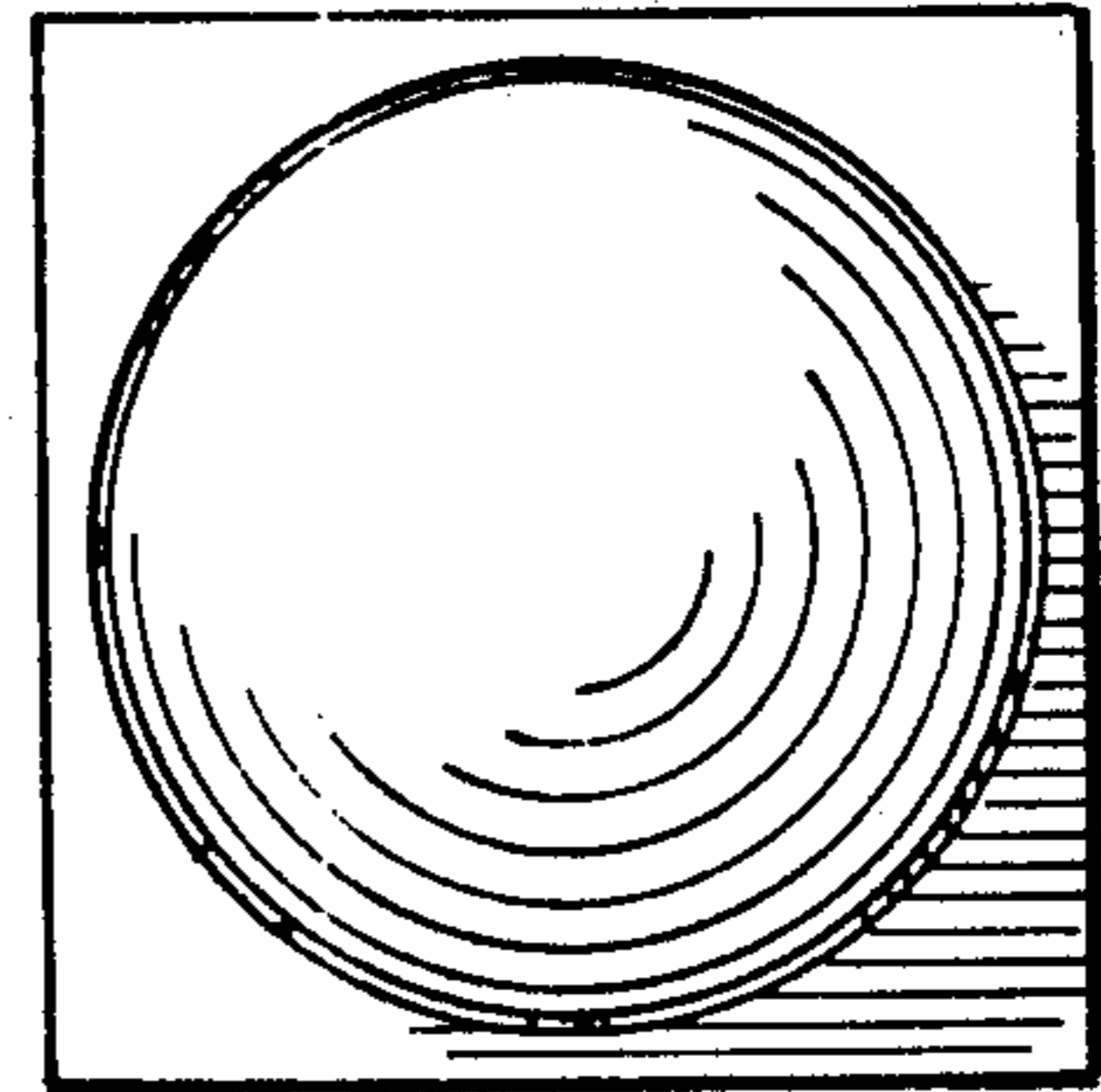
**DESCRIPTION**

FIG. 1 is a top perspective view of a tape dispenser showing my new design;  
 FIG. 2 is a front elevational view, all other sides being identical thereto;  
 FIG. 3 is a top plan view;  
 FIG. 4 is a bottom plan view;  
 FIG. 5 is a top perspective view with the tape retaining section rotated 90 degrees with respect to FIG. 1; and,  
 FIG. 6 is a top perspective view with the tape retaining section rotated 180 degrees with respect to FIG. 1.  
 FIGS. 2, 3 and 4 have been drawn to a reduced scale with respect to FIGS. 1, 5 and 6.

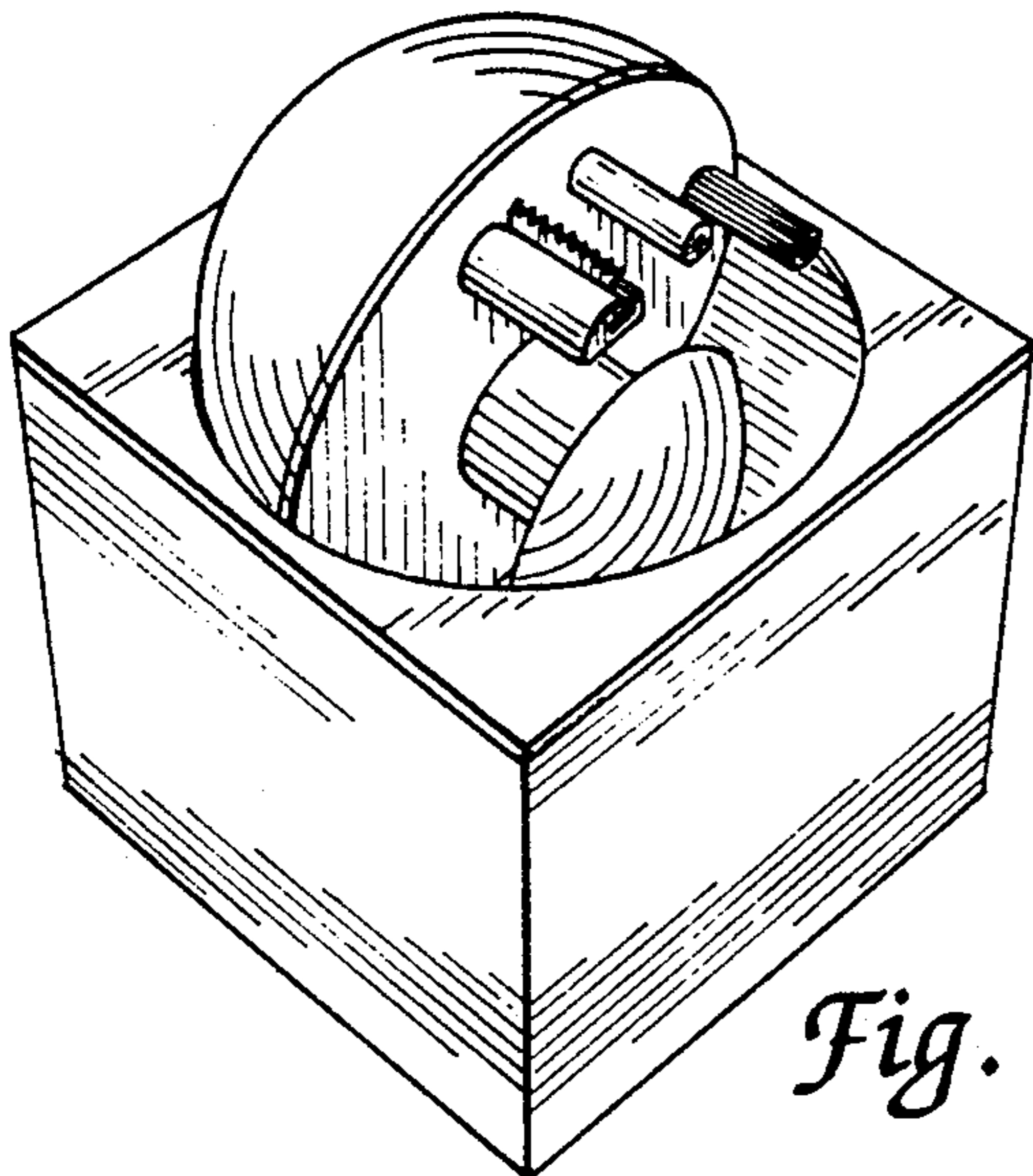




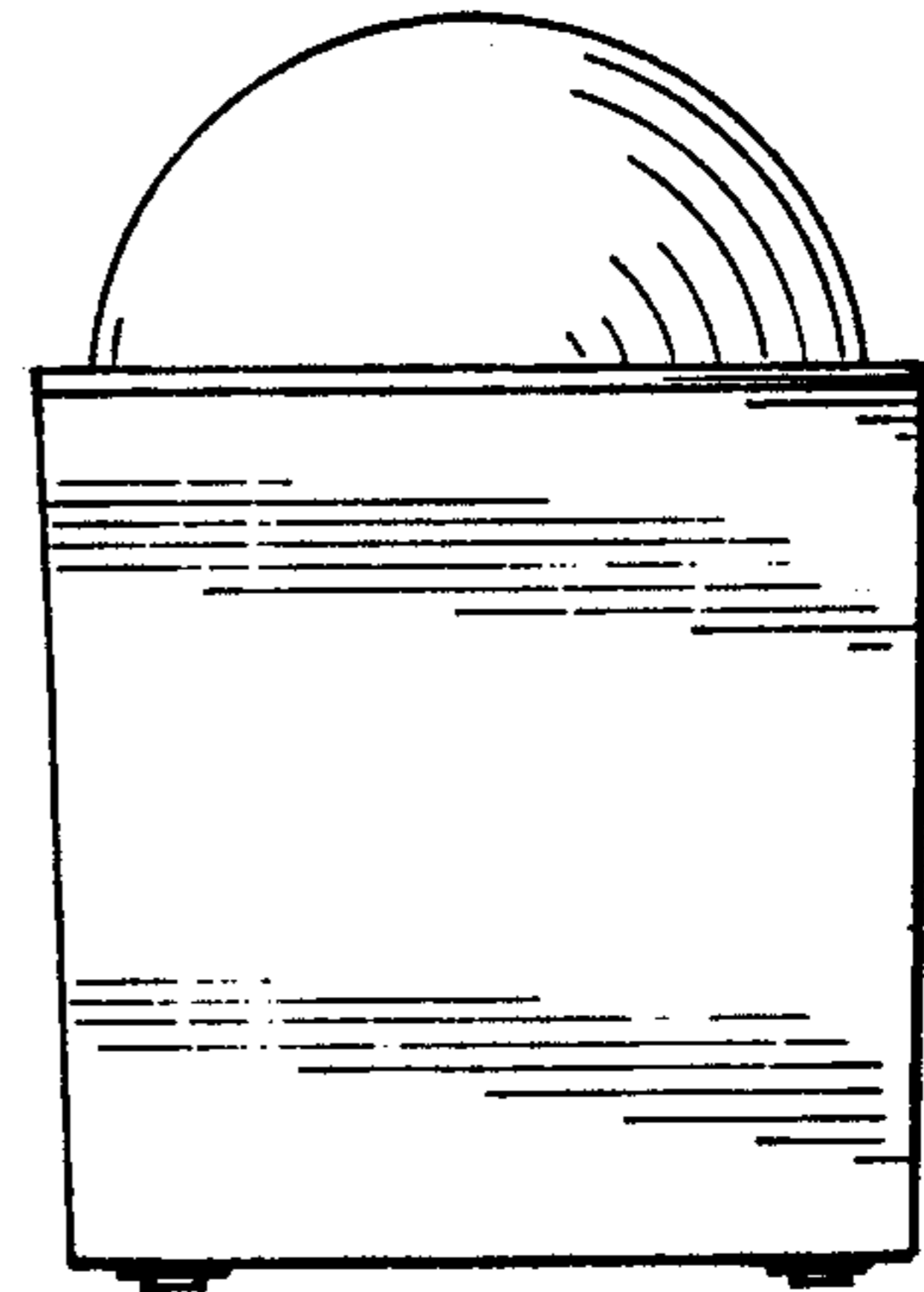
*Fig. 1*



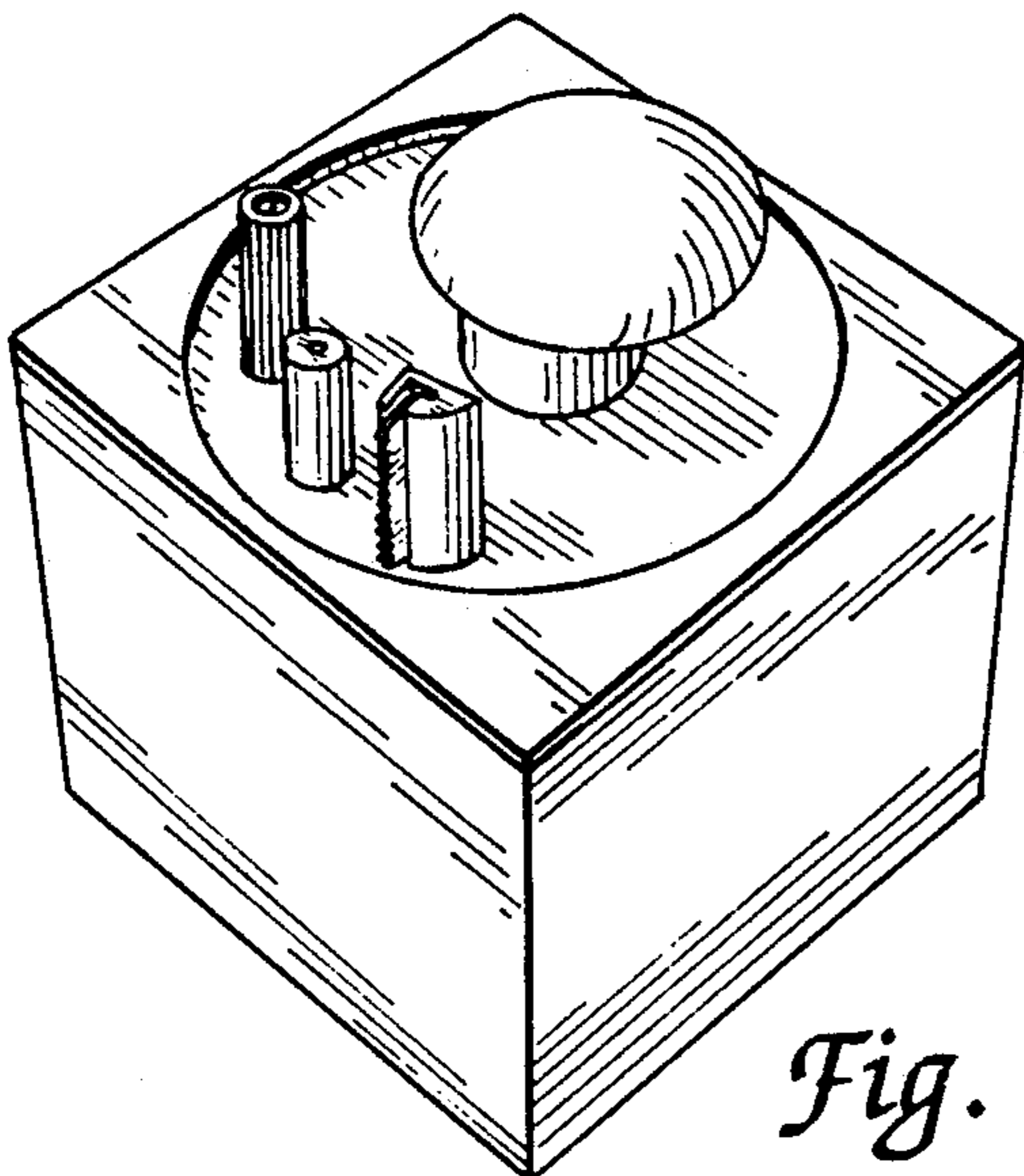
*Fig. 3*



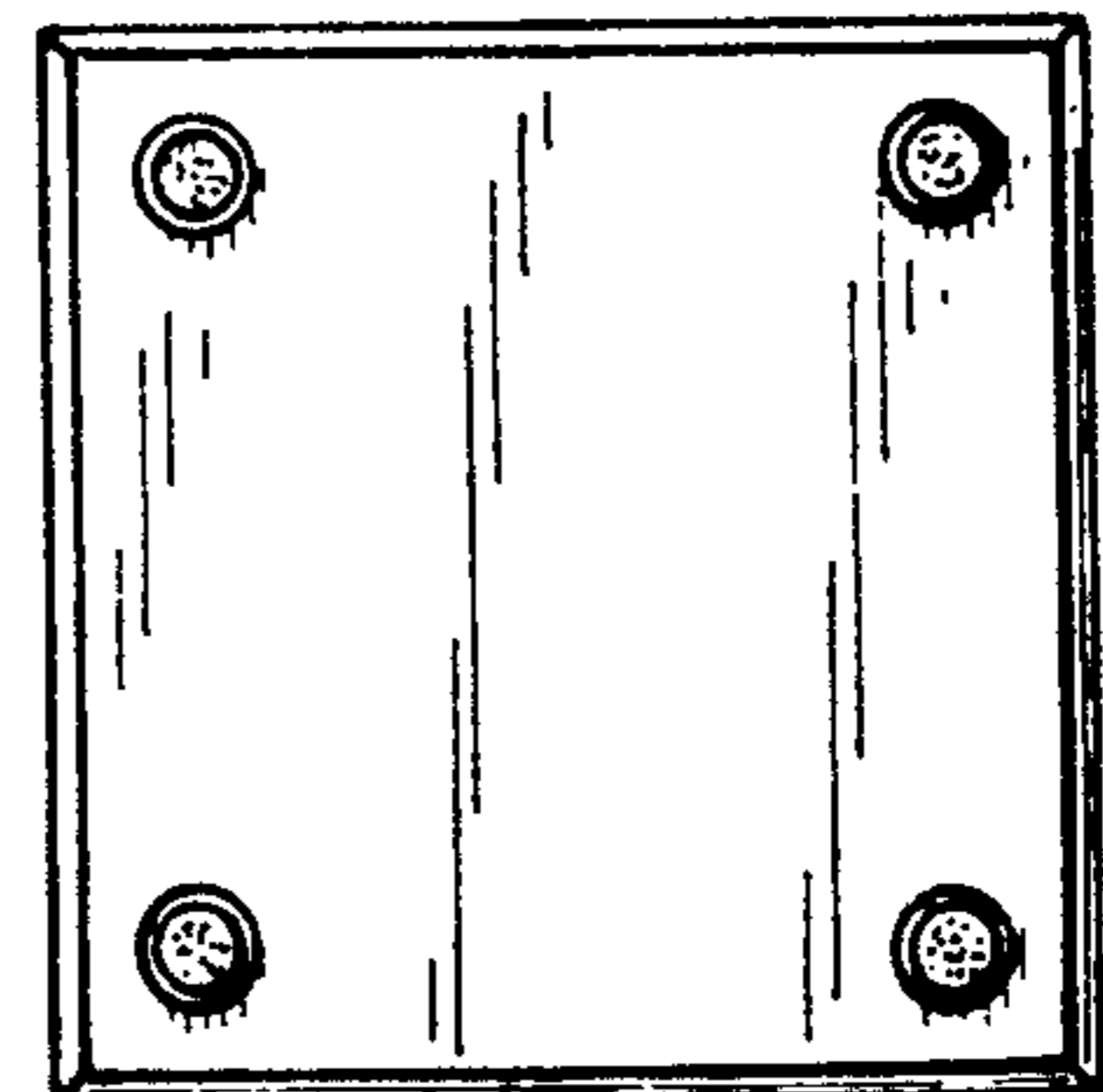
*Fig. 5*



*Fig. 2*



*Fig. 6*



*Fig. 4*