



US00D333148S

United States Patent [19]

[11] Patent Number: **Des. 333,148**

French

[45] Date of Patent: **** Feb. 9, 1993**

[54] POINT OF SALE TERMINAL

[75] Inventor: **Curtis P. French, Austin, Tex.**

[73] Assignee: **Compuadd Corporation, Austin, Tex.**

[**] Term: **14 Years**

[21] Appl. No.: **815,372**

[22] Filed: **Dec. 31, 1991**

[52] U.S. Cl. **D18/4**

[58] Field of Search **D18/3, 4; D14/100, 105, D14/106, 107, 113; 235/1 D, 1 E, 2, 4, 7 R, 10, 375, 379, 380, 419; 364/404, 405**

D. 303,536	9/1989	Miyaji et al.	D18/4
D. 310,212	8/1990	Forsythe	D14/106
D. 319,458	8/1991	Ave-Lallemant	D18/4
D. 320,036	9/1991	Chen	D18/4

Primary Examiner—Alan P. Douglas
Assistant Examiner—Ann Hunt
Attorney, Agent, or Firm—Baker & Botts

[57] CLAIM

The ornamental design for point of sale terminal, as shown and described.

DESCRIPTION

FIG. 1 is a front right perspective view of a point of sale terminal showing my new design; FIG. 2 is a front elevational view; FIG. 3 is a right side elevational view; FIG. 4 is a left side elevational view; FIG. 5 is a top plan view; and, FIG. 6 is a rear elevational view thereof.

[56] References Cited

U.S. PATENT DOCUMENTS

D. 278,542	4/1985	Kakiuchi et al.	D18/4
D. 279,687	7/1985	Akiyama	D18/4
D. 302,436	7/1989	Kubo et al.	D18/4

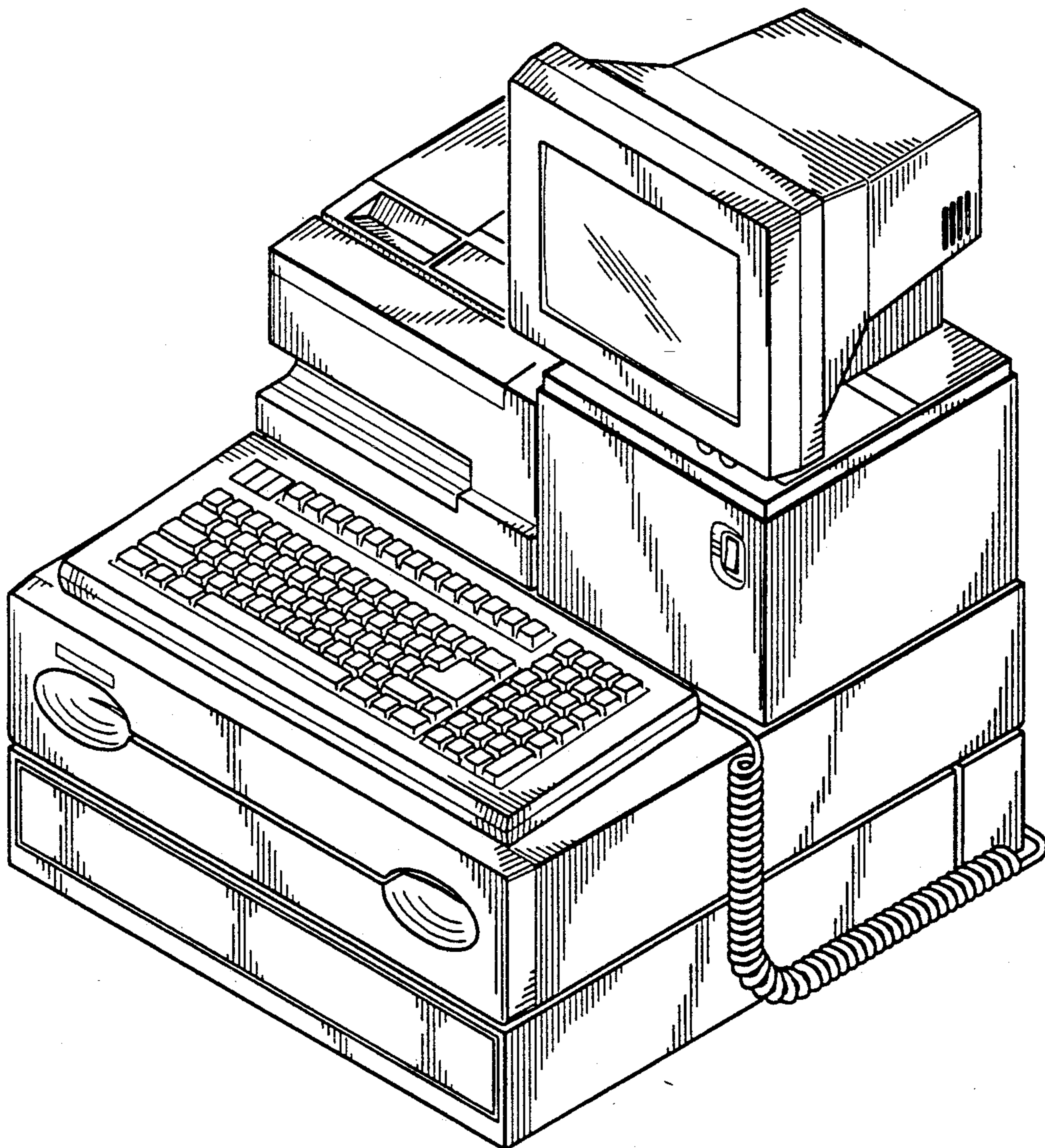


FIG. 1

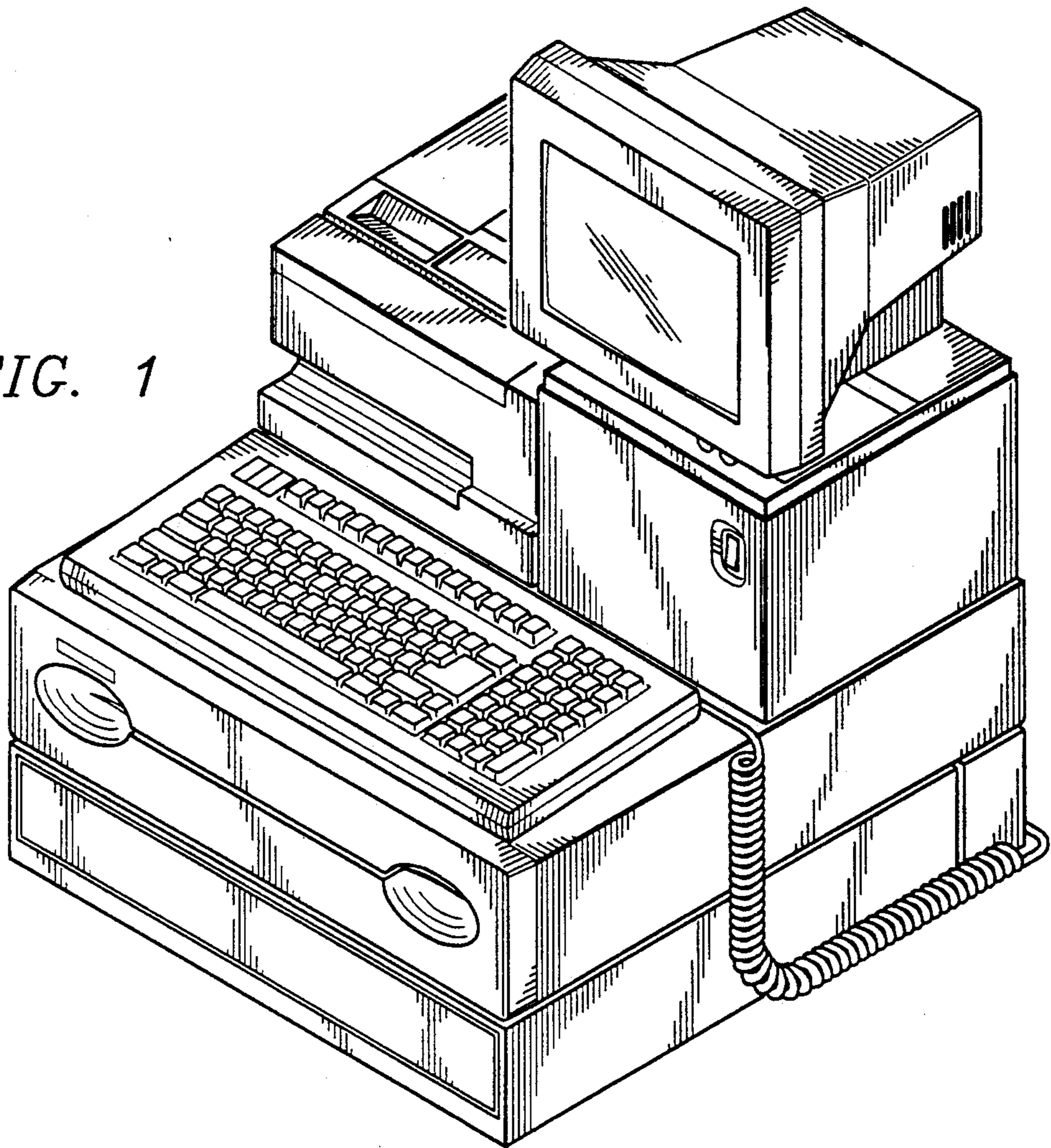
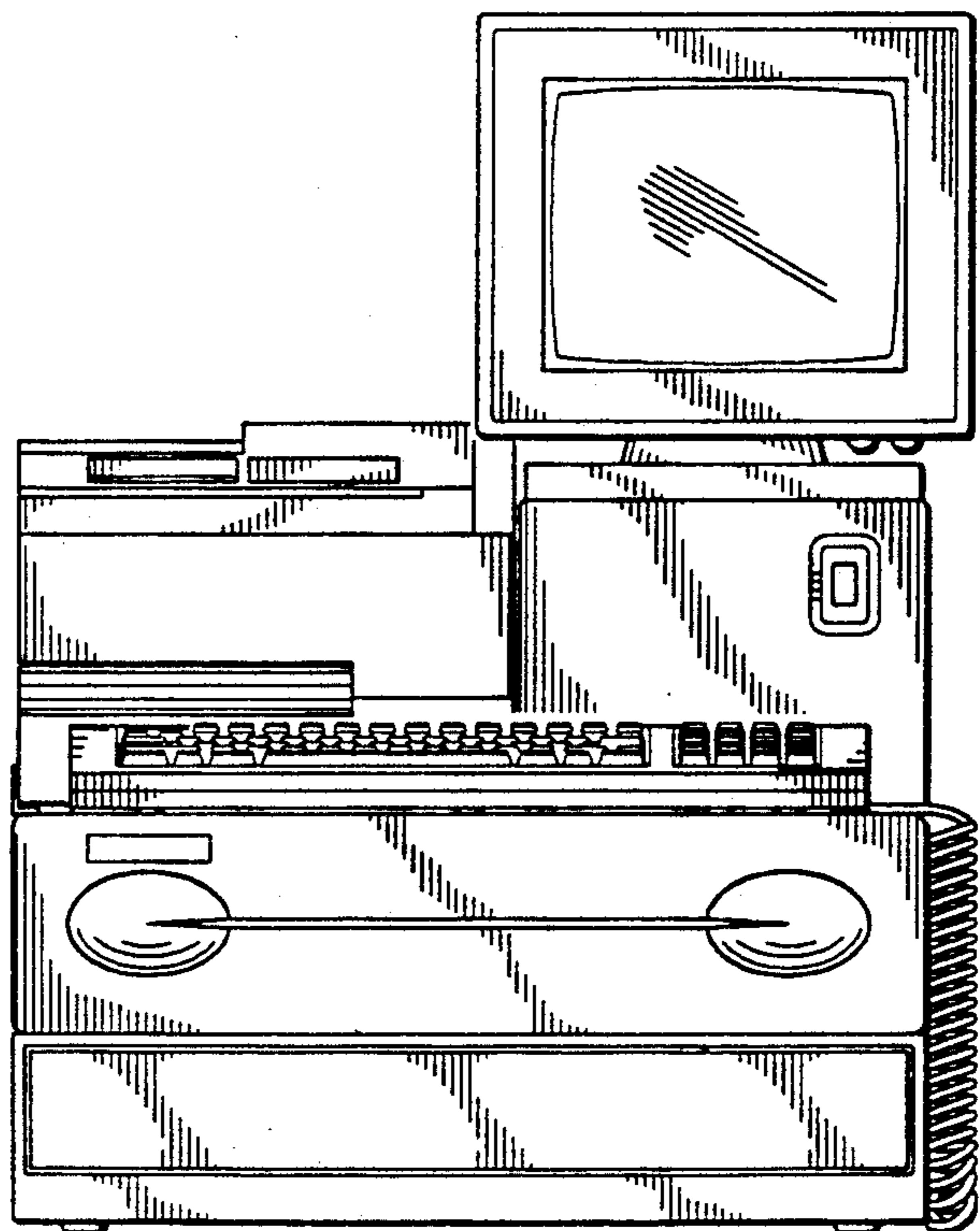
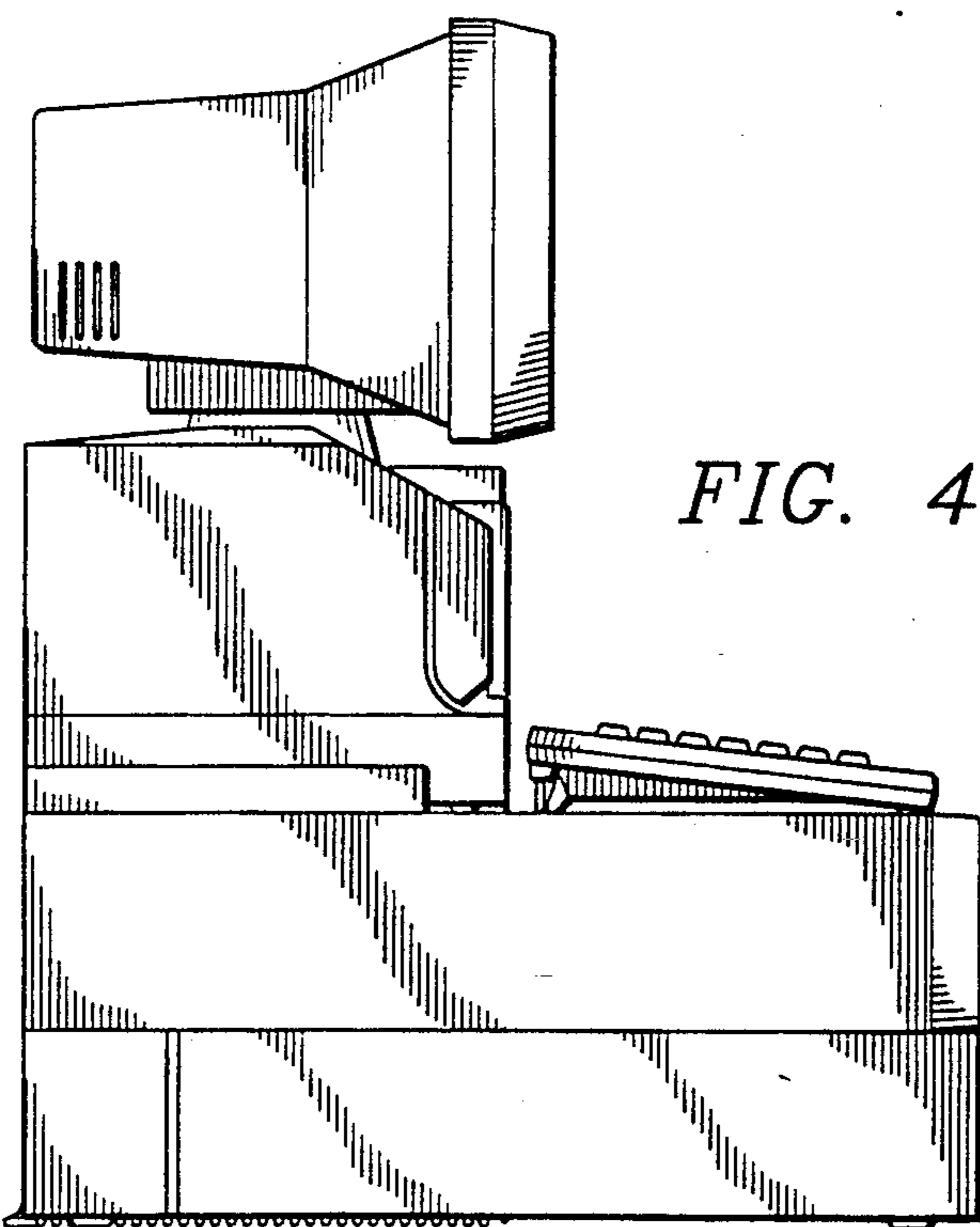
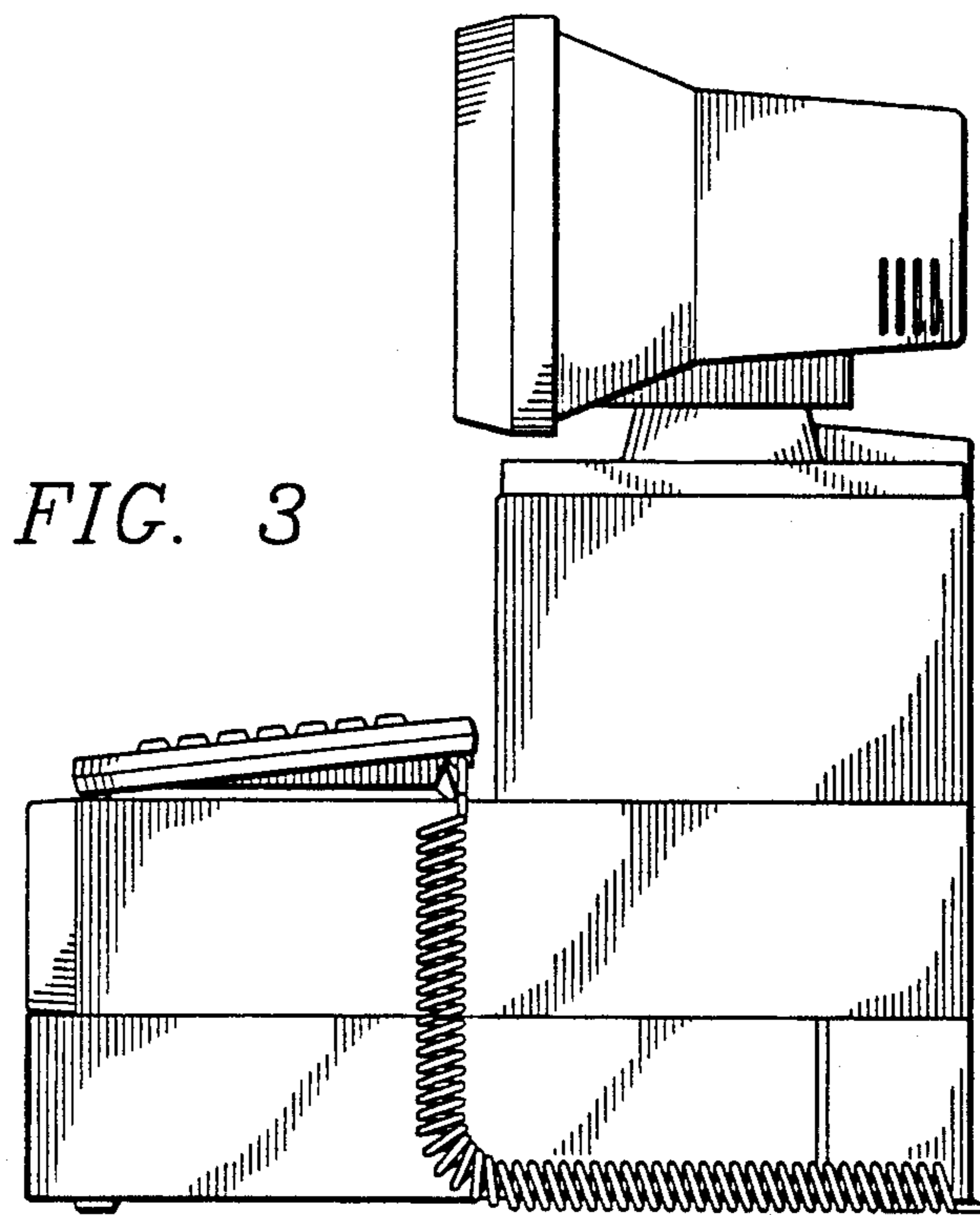


FIG. 2





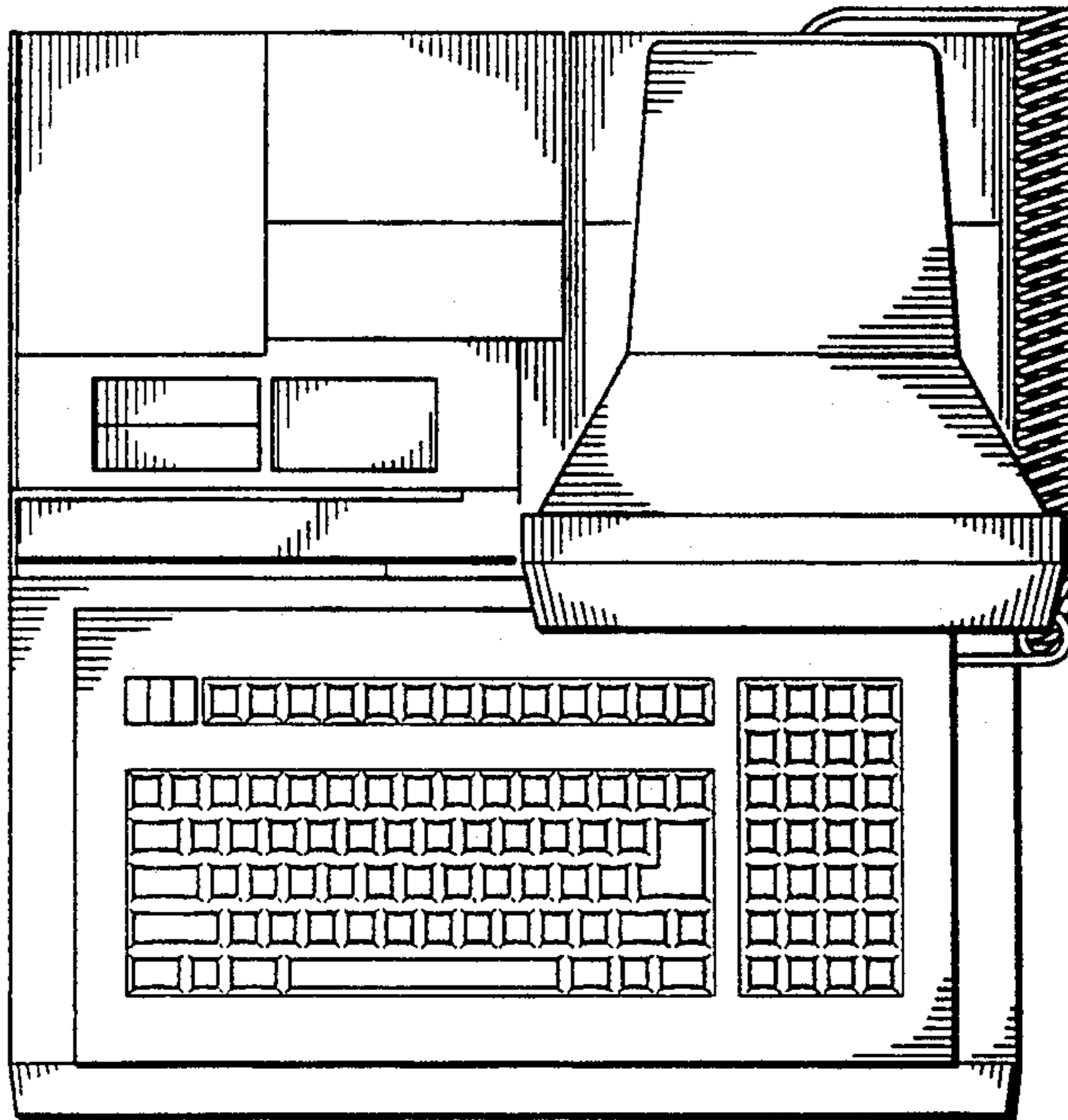


FIG. 5

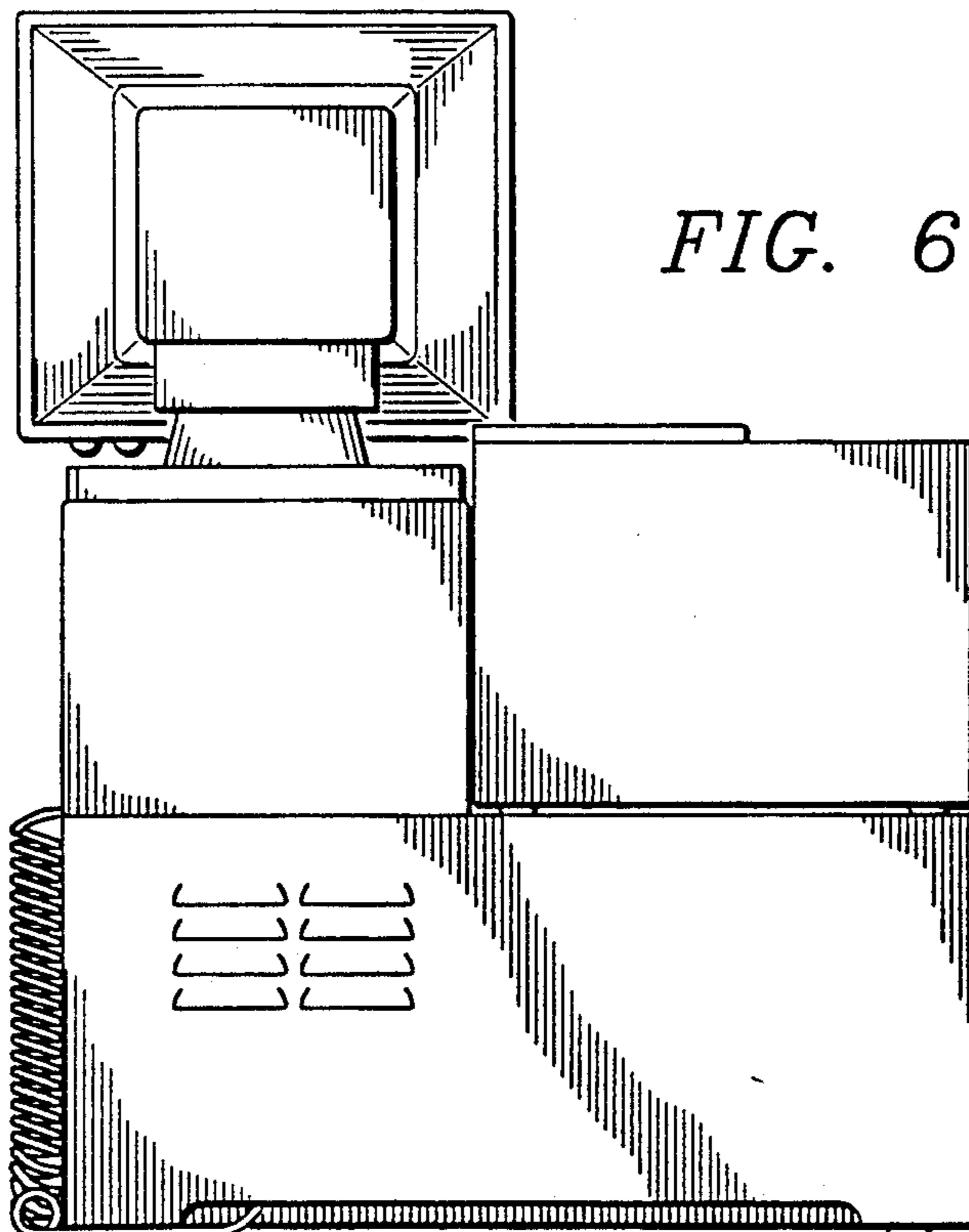


FIG. 6