



US00D333147S

# United States Patent [19]

[11] Patent Number: **Des. 333,147**

Miyake et al.

[45] Date of Patent: **\*\* Feb. 9, 1993**

[54] **CASH REGISTER WITH POS SYSTEM**

[75] Inventors: **Takao Miyake; Masayoshi Kawaishi; Katsuhiko Ishida; Yukio Kanaoka**, all of Nara, Japan

[73] Assignee: **Sharp Kabushiki Kaisha**, Osaka, Japan

[\*\*] Term: **14 Years**

[21] Appl. No.: **786,430**

[22] Filed: **Nov. 1, 1991**

[30] **Foreign Application Priority Data**

May 15, 1991 [JP] Japan ..... 3-14201

[52] U.S. Cl. .... **D18/4**

[58] Field of Search ..... D18/3, 4; D14/100, 105, D14/106, 107, 113; 735/1 D, 1 E, 2, 4, 7 R, 10, 375, 379, 380, 419; 364/404-405

[56] **References Cited**

**U.S. PATENT DOCUMENTS**

D. 279,687 7/1985 Akiyama ..... D18/4

D. 302,436 7/1989 Kubo et al. .... D18/4  
D. 302,826 8/1989 Kato et al. .... D18/4  
D. 303,536 9/1989 Miyaji et al. .... D18/4  
D. 319,458 8/1991 Ave-Lallemant ..... D18/4  
D. 320,036 9/1991 Chen ..... D18/4

*Primary Examiner*—Nelson C. Holtje  
*Assistant Examiner*—Ann Hunt  
*Attorney, Agent, or Firm*—Nixon & Vanderhuy

[57] **CLAIM.**

The ornamental design for a cash register with POS system, as shown and described.

**DESCRIPTION**

FIG. 1 is a top, front and right side perspective view of a cash register with POS system showing our new design;

FIG. 2 is a front elevational view thereof;

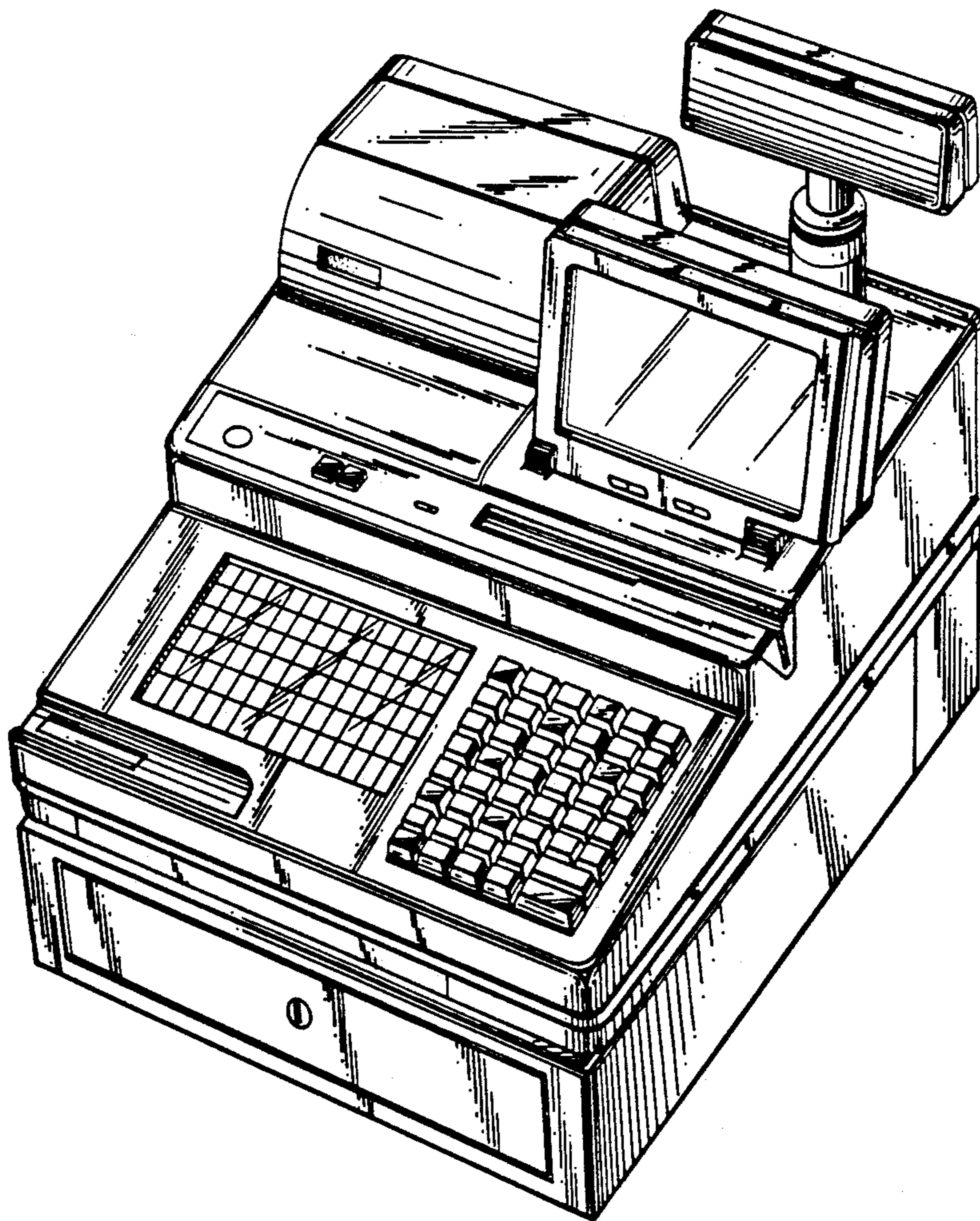
FIG. 3 is a right side elevational view thereof;

FIG. 4 is a left side elevational view thereof;

FIG. 5 is a top plan view thereof;

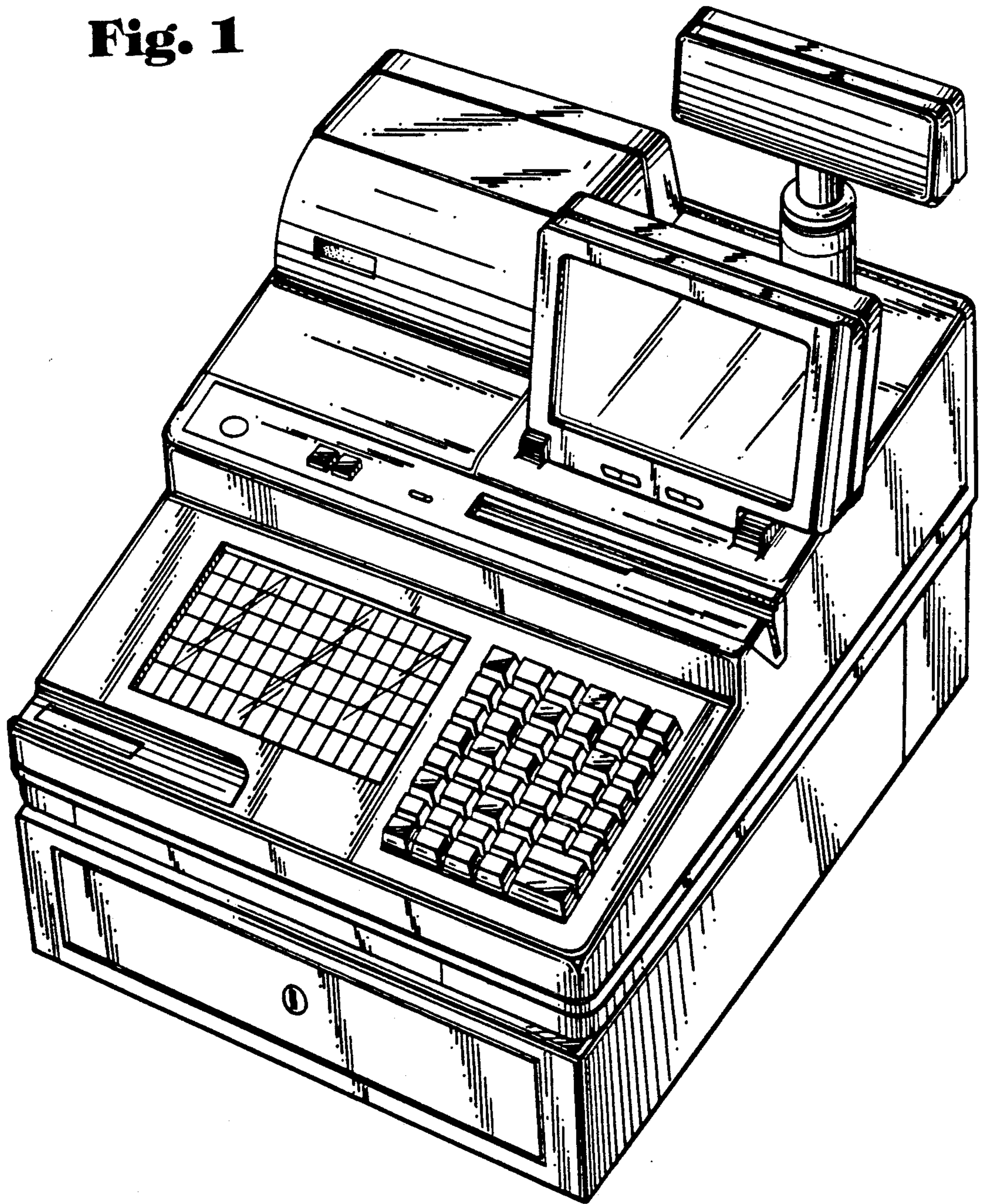
FIG. 6 is a rear elevational view thereof; and,

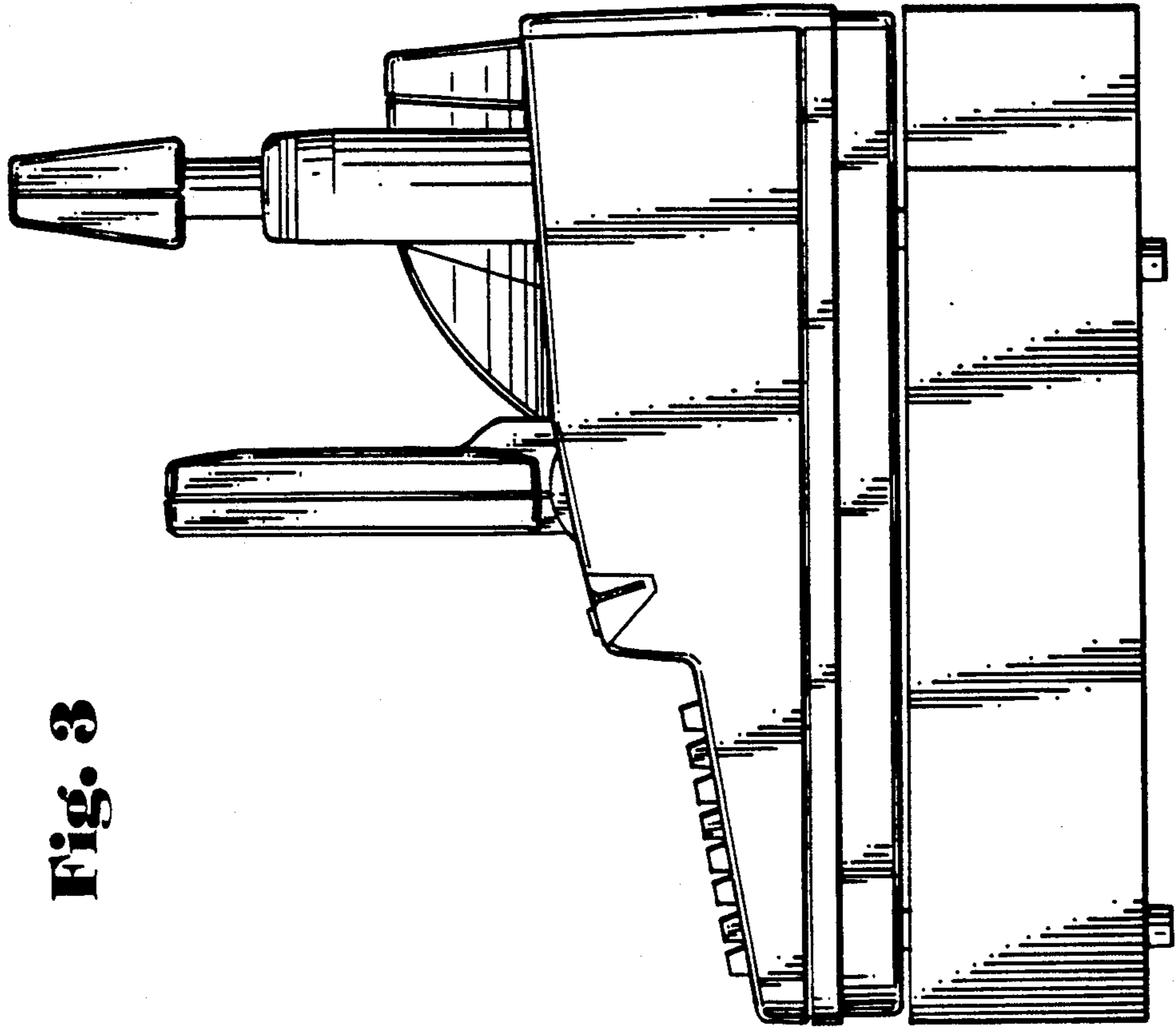
FIG. 7 is a bottom plan view thereof.



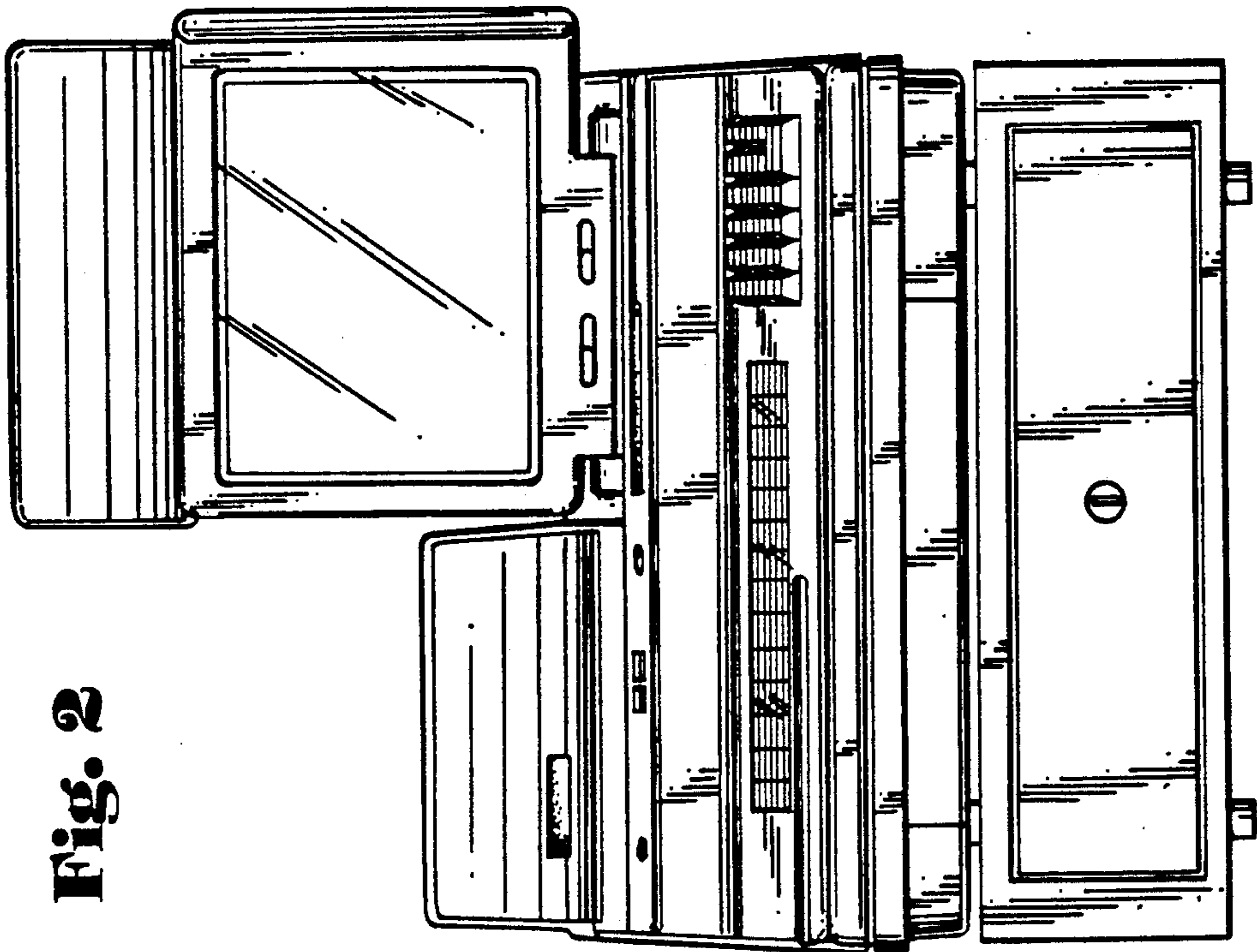


**Fig. 1**



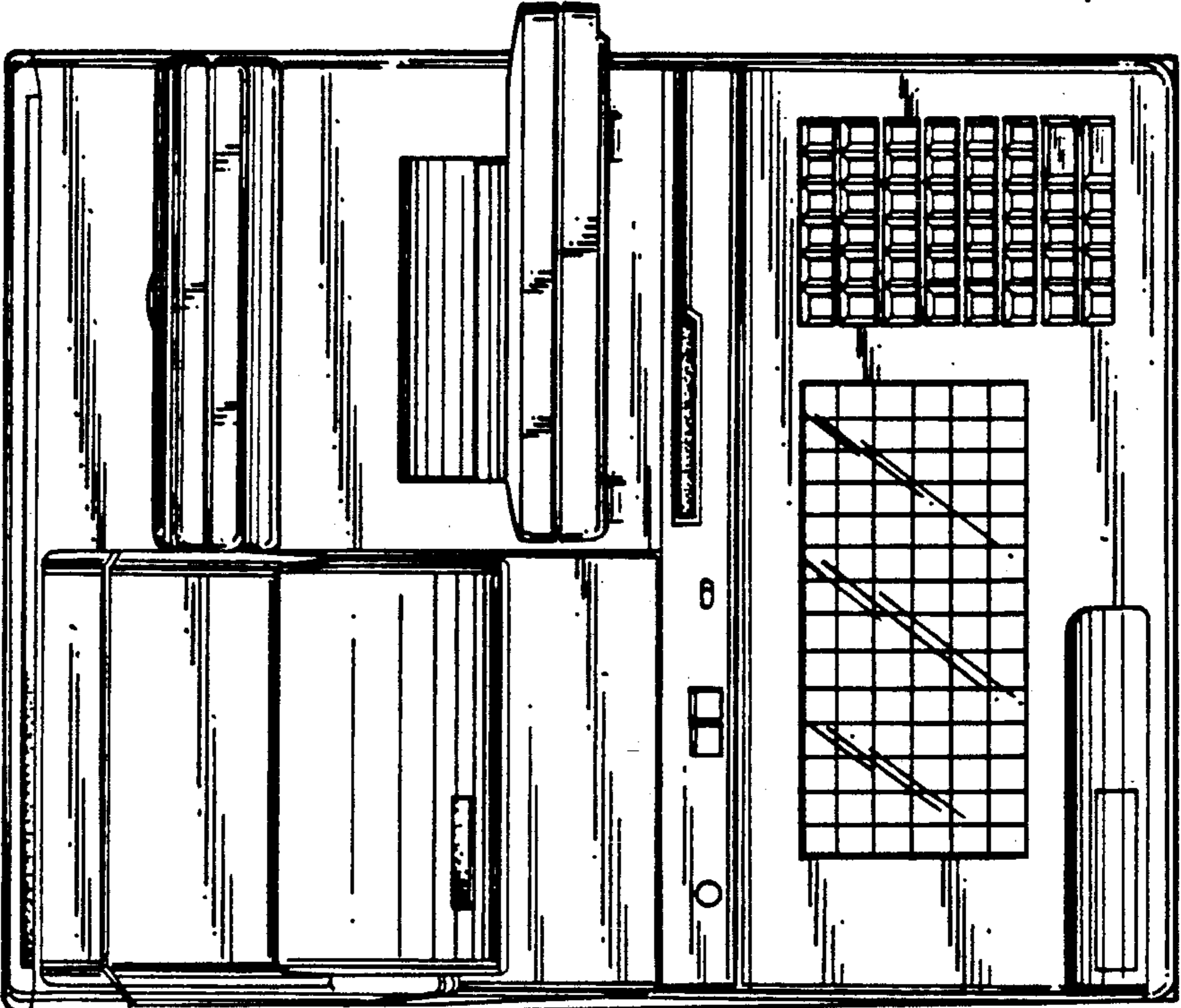


**Fig. 3**

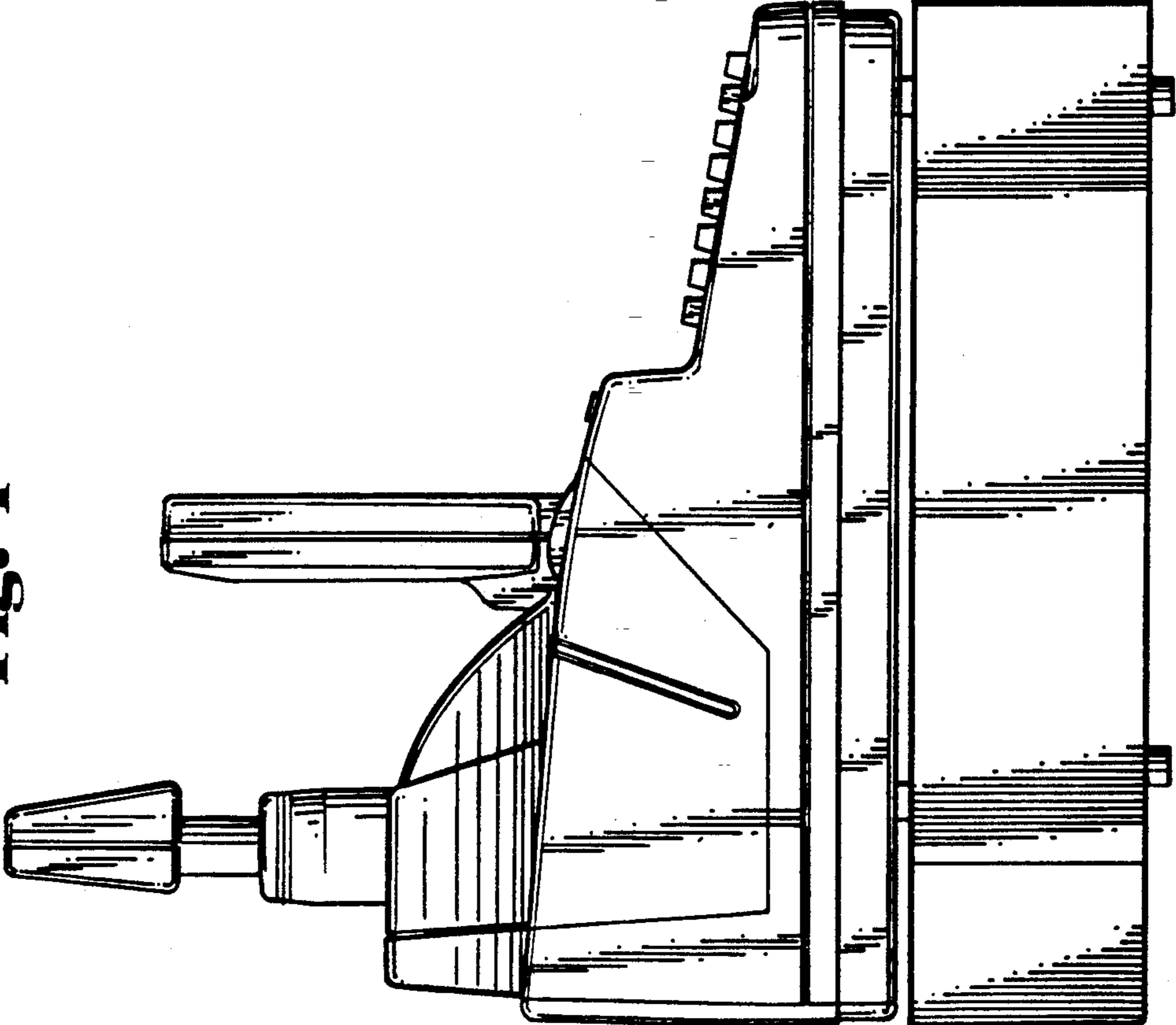


**Fig. 2**

**Fig. 5**

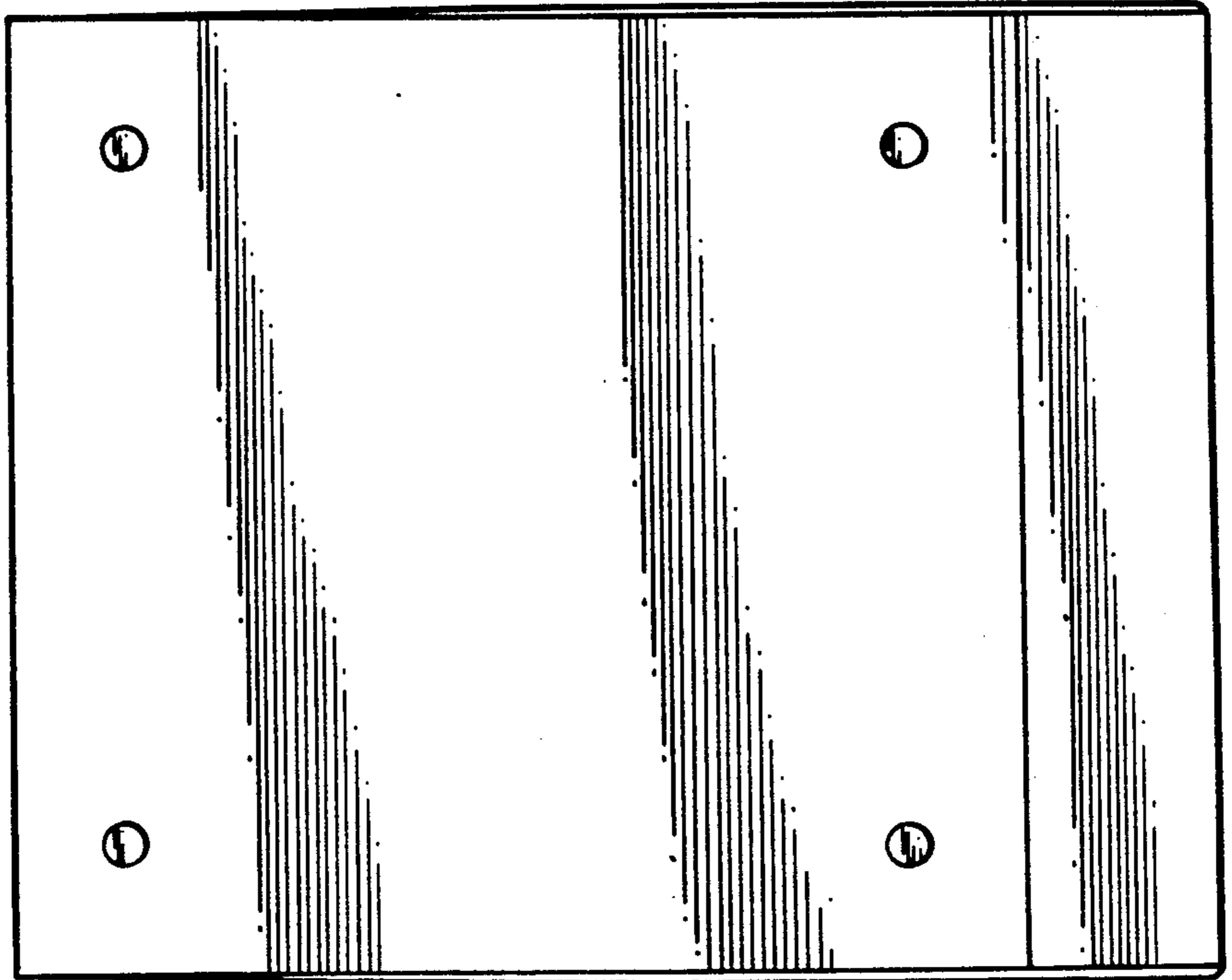


**Fig. 4**





**Fig. 7**



**Fig. 6**

