



US00D333146S

United States Patent [19]

McDevitt

[11] Patent Number: **Des. 333,146**

[45] Date of Patent: **** Feb. 9, 1993**

[54] **PRESCRIPTION BOTTLE MAGNIFIER**

[76] Inventor: **Timothy E. McDevitt, 64 Fairy Dell Rd., Clinton, Conn. 06413**

[**] Term: **14 Years**

[21] Appl. No.: **510,403**

[22] Filed: **Apr. 17, 1990**

[52] U.S. Cl. **D16/135**

[58] Field of Search **D16/135; D24/114; 604/207; 359/442, 710, 818, 802, 803, 805, 808-810, 798; D10/32; D11/1-4, 24**

3,409,347	11/1988	Vogel .	
3,704,938	12/1972	Fanselow	359/710 X
4,178,071	12/1979	Asbell	604/207 X
4,324,050	4/1982	Weir	359/442 X
4,451,117	5/1984	Goode	359/809 X
5,048,928	9/1991	Davis	359/809

Primary Examiner—A. Hugo Word
Assistant Examiner—Doris V. Coles
Attorney, Agent, or Firm—Terry M. Gernstein

[57] **CLAIM**

The ornamental design for a prescription bottle magnifier, as shown and described.

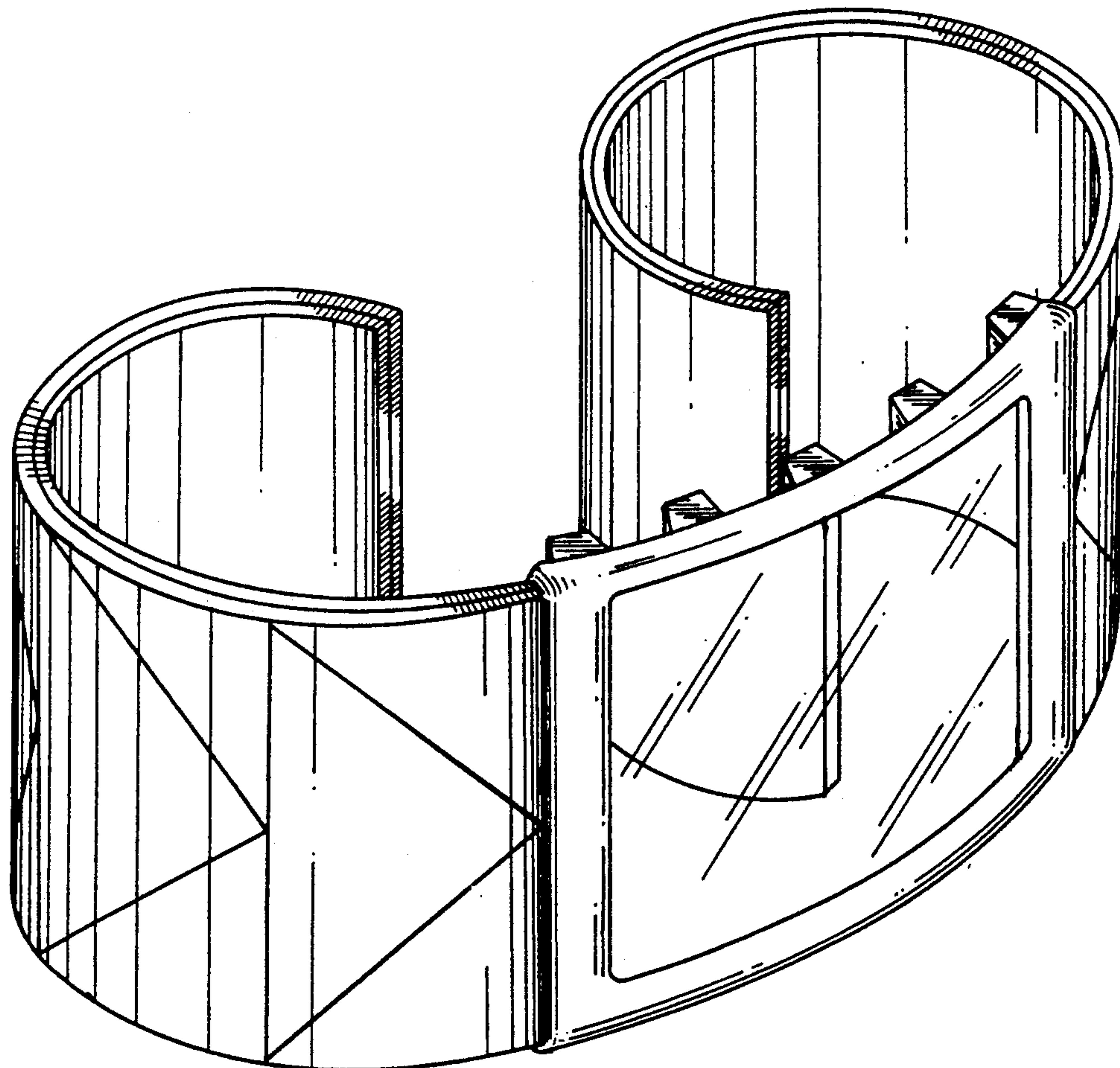
DESCRIPTION

FIG. 1 is a perspective view of a prescription bottle magnifier in the rolled up position, showing our new design;
FIG. 2 is a front elevational view in the unrolled position;
FIG. 3 is a side elevational view, the opposite side being a mirror image thereof;
FIG. 4 is a top plan view thereof; and,
FIG. 5 is a bottom plan view thereof.

[56] **References Cited**

U.S. PATENT DOCUMENTS

D. 186,541	11/1959	Streed	D11/4 X
D. 294,171	2/1884	Watts	359/810
D. 312,593	12/1990	Bulgari	D11/4
1,588,442	6/1926	Bugbee .	
2,056,693	10/1936	Stanley	359/802
2,586,581	2/1952	Tschischeck .	
2,746,346	5/1956	Gaire	359/818 X
2,961,108	11/1960	Johnson	359/809 X



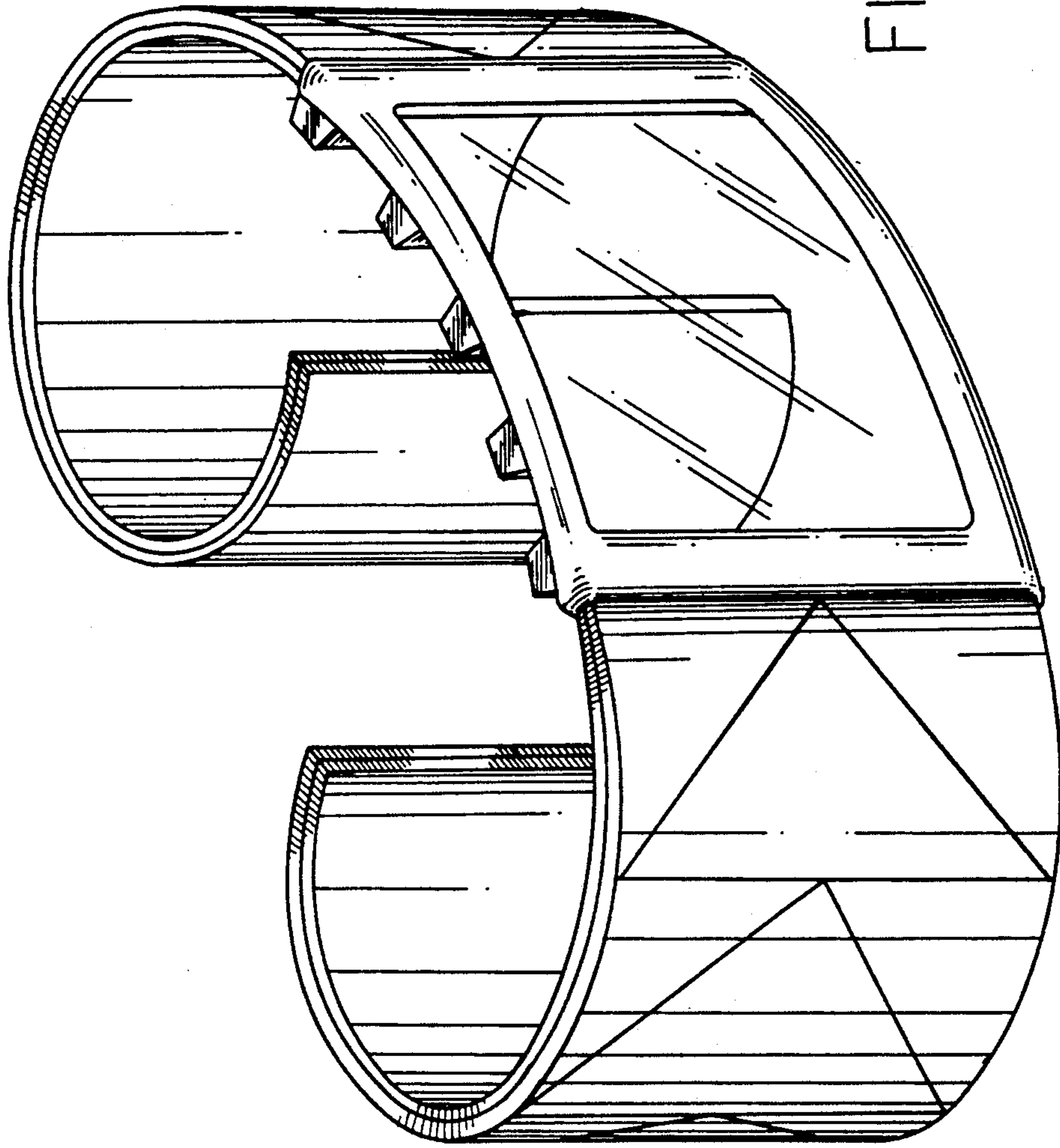


FIG. 1.

FIG. 3.



FIG. 2.



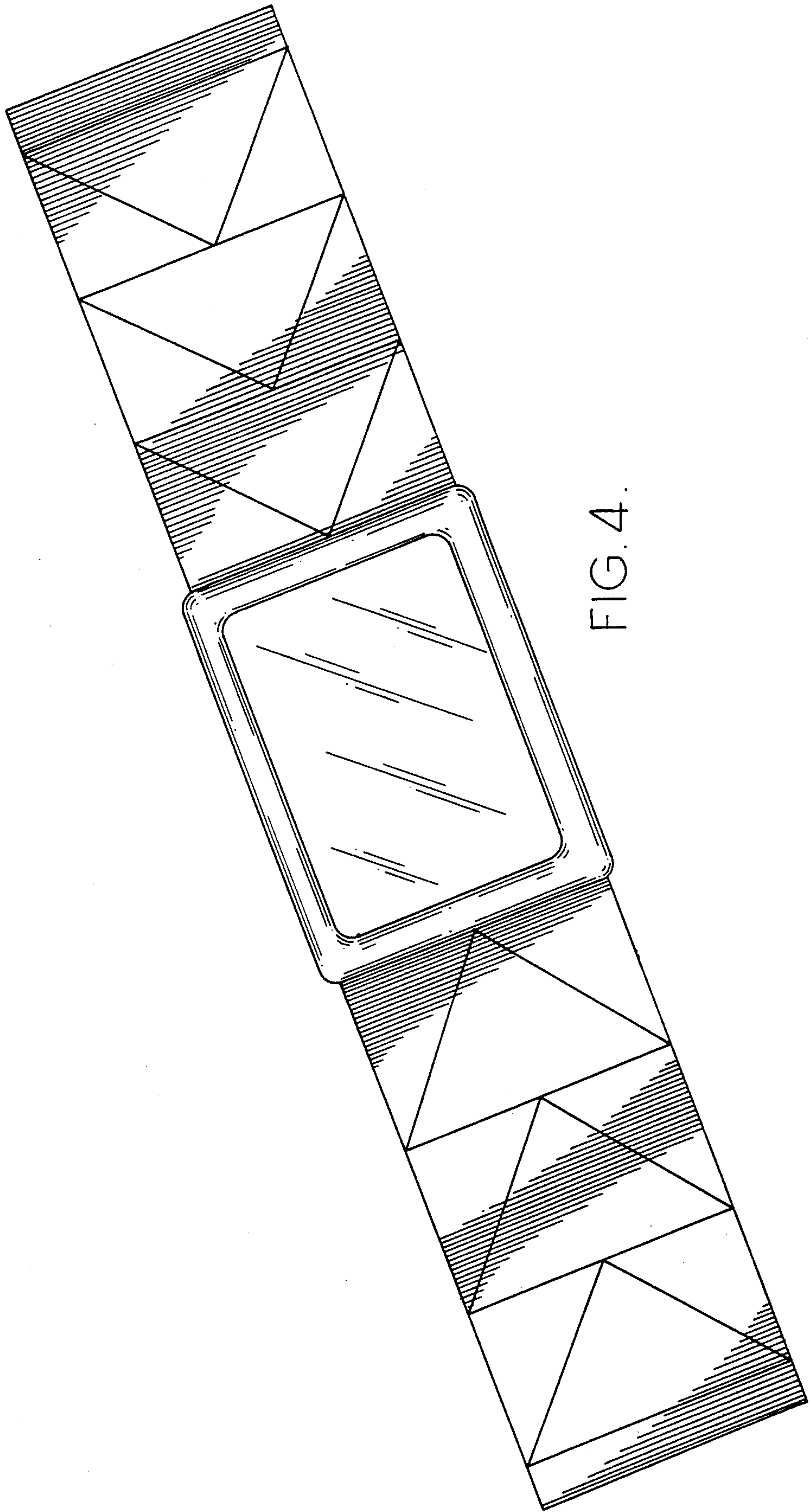


FIG. 4.

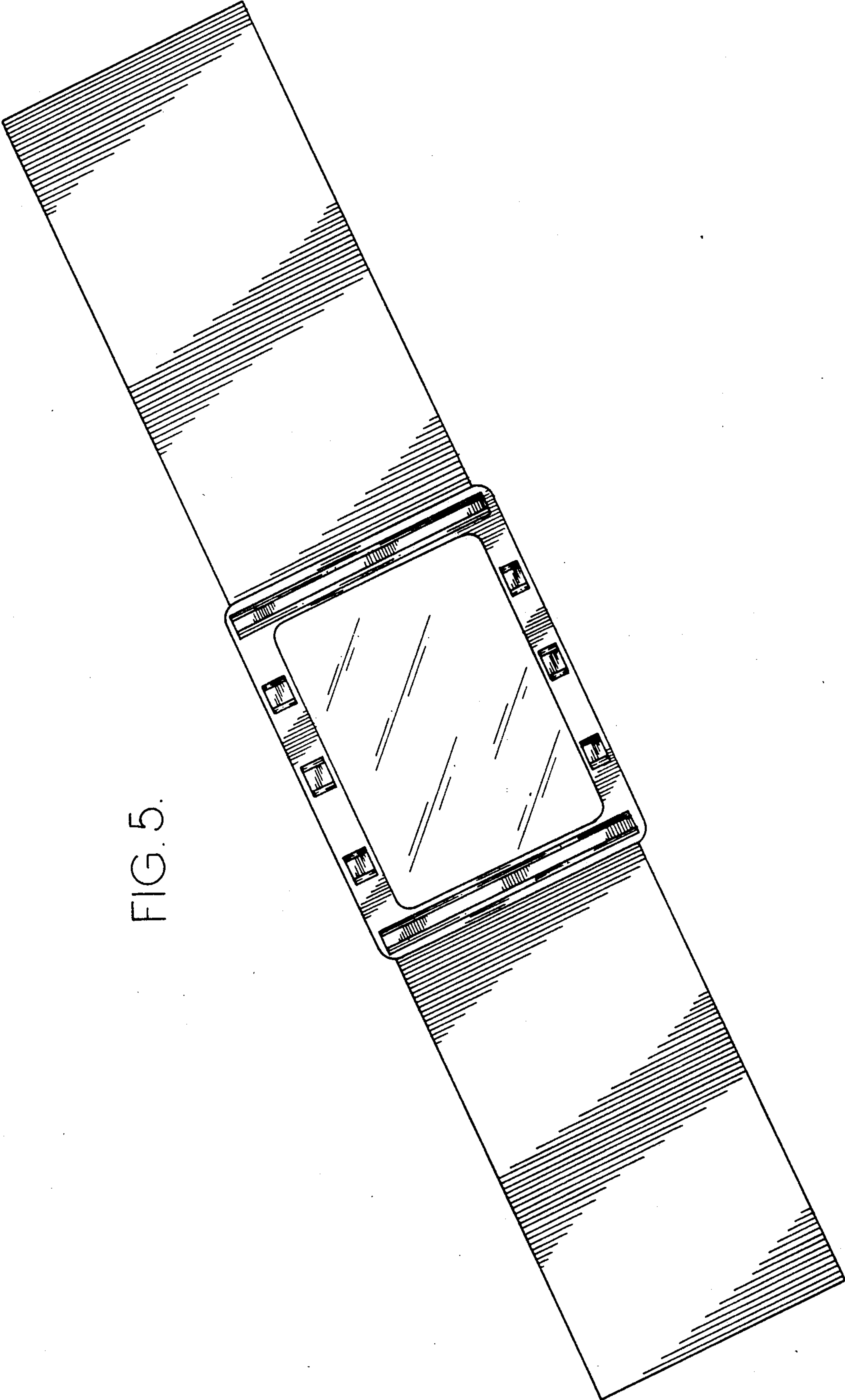


FIG. 5.