



US00D333142S

United States Patent [19]

[11] Patent Number: **Des. 333,142**

Kimura

[45] Date of Patent: **** Feb. 9, 1993**

[54] **PORTABLE HYDRAULIC PUNCHING INSTRUMENT**

3,924,330	12/1975	Mitsubishi et al.	30/362
4,468,995	9/1984	Mireles-Saldiver	D15/128 X
4,731,929	3/1988	McClure	30/361
4,786,215	11/1988	McClure	408/79 X

[75] Inventor: **Kiyoshi Kimura, Fujisawa, Japan**

[73] Assignee: **Kabushiki Kaisha Ogura, Japan**

[**] Term: **14 Years**

[21] Appl. No.: **379,542**

[22] Filed: **Jul. 12, 1989**

[30] **Foreign Application Priority Data**

Jan. 18, 1989 [JP] Japan 1-01280

[52] U.S. Cl. **D15/128; D15/127**

[58] Field of Search D8/61; D15/128; 83/513, 83/514, 515, 516, 517, 518, 519, 33, 34, 50, 639.1, 684, 745; 408/1 R, 79; 30/360, 361, 358

[56] **References Cited**

U.S. PATENT DOCUMENTS

2,782,855	2/1957	Marcoux	30/360
3,008,234	11/1961	Mattera	30/358 X
3,126,630	3/1964	Catlin et al.	30/358

Primary Examiner—Donald P. Walsh
Assistant Examiner—Antoine D. Davis
Attorney, Agent, or Firm—Bruce L. Adams; Van C. Wilks

[57] **CLAIM**

The ornamental design for a portable hydraulic punching instrument, as shown and described.

DESCRIPTION

FIG. 1 is a top, front and right side perspective view of a portable hydraulic punching instrument showing my new design;
FIG. 2 is a top plan view;
FIG. 3 is a right side elevational view;
FIG. 4 is a left side elevational view;
FIG. 5 is a front elevational view;
FIG. 6 is a rear elevational view; and,
FIG. 7 is a bottom plan view thereof.

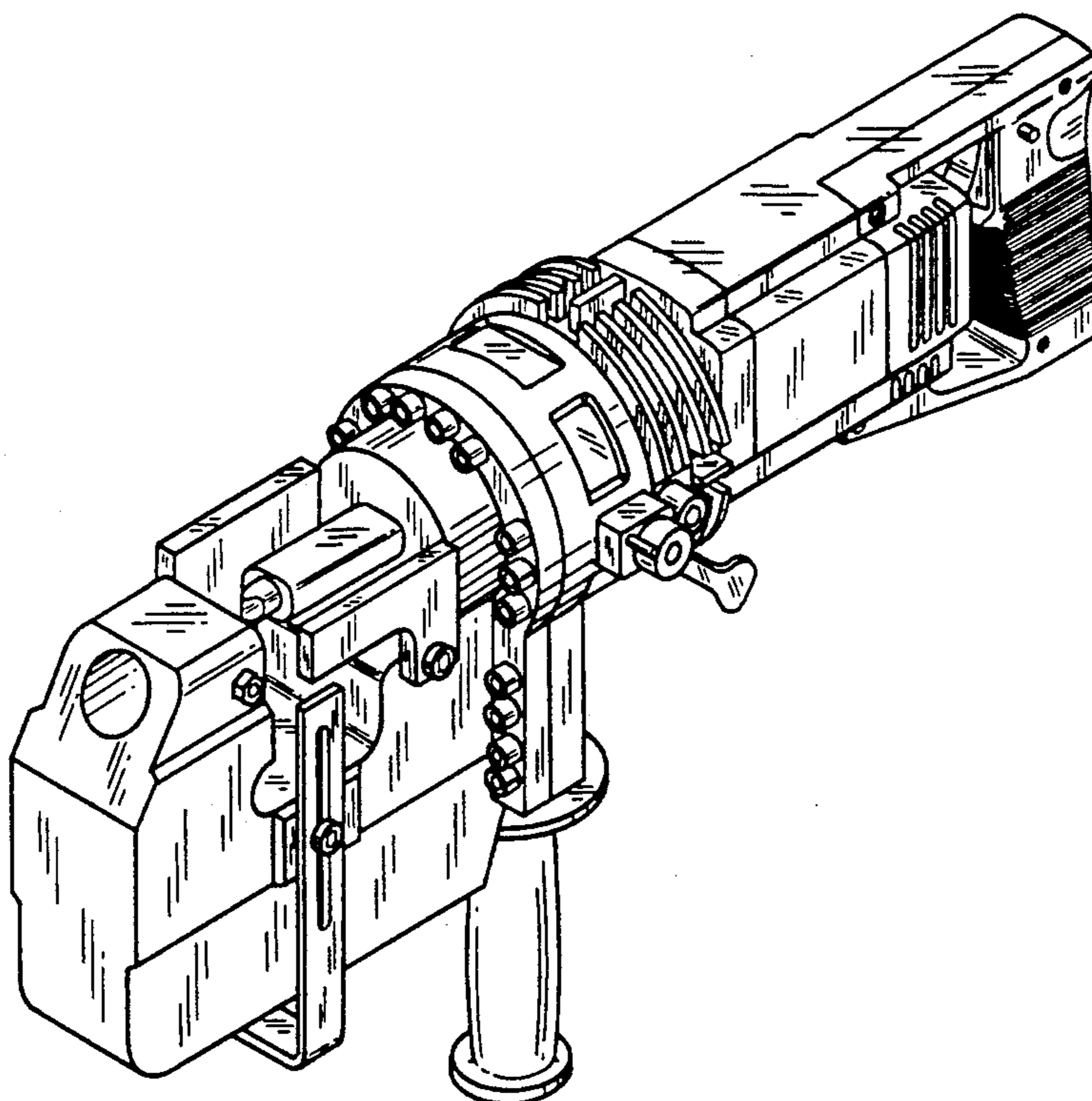


FIG. 1

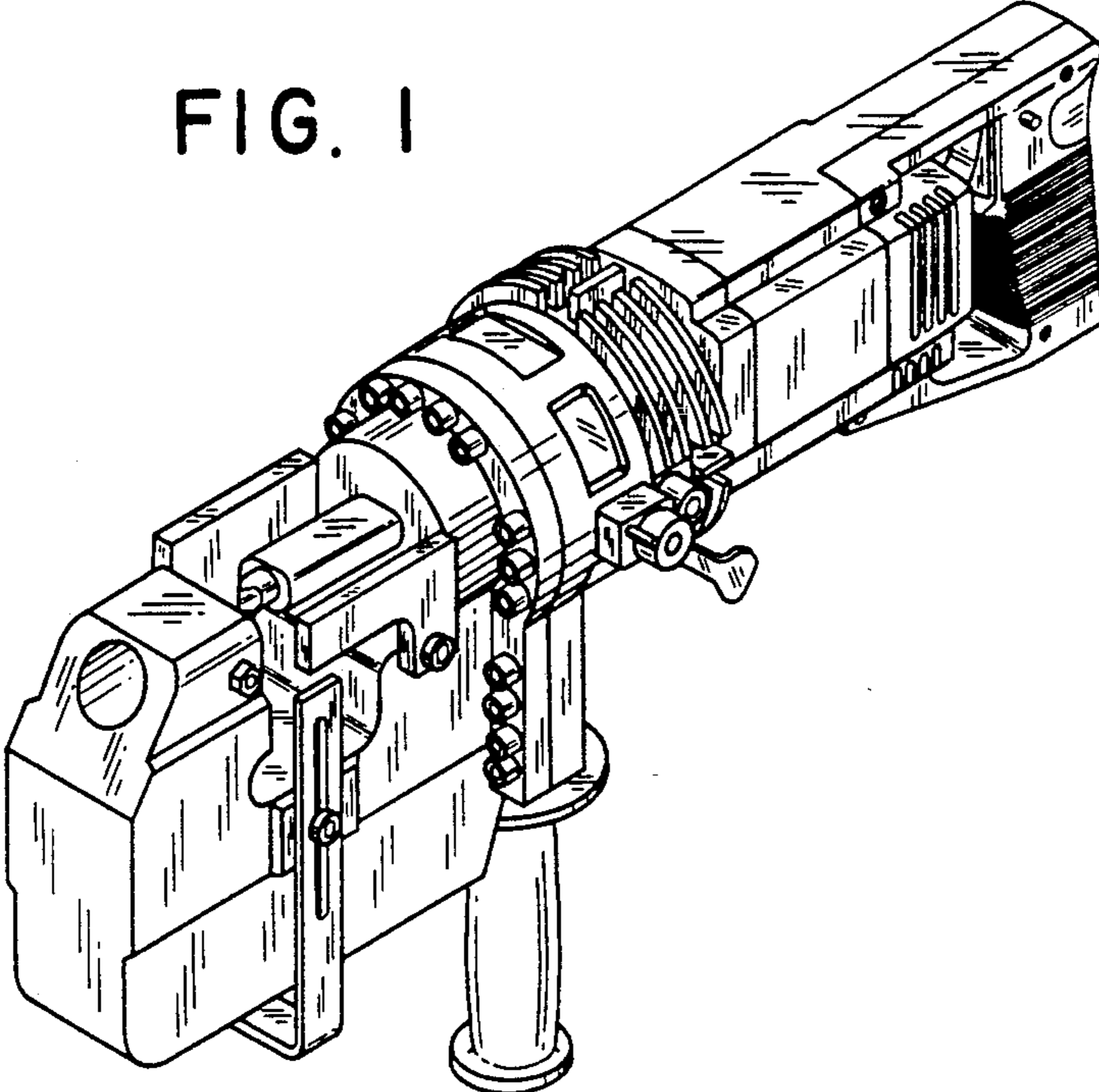


FIG. 2

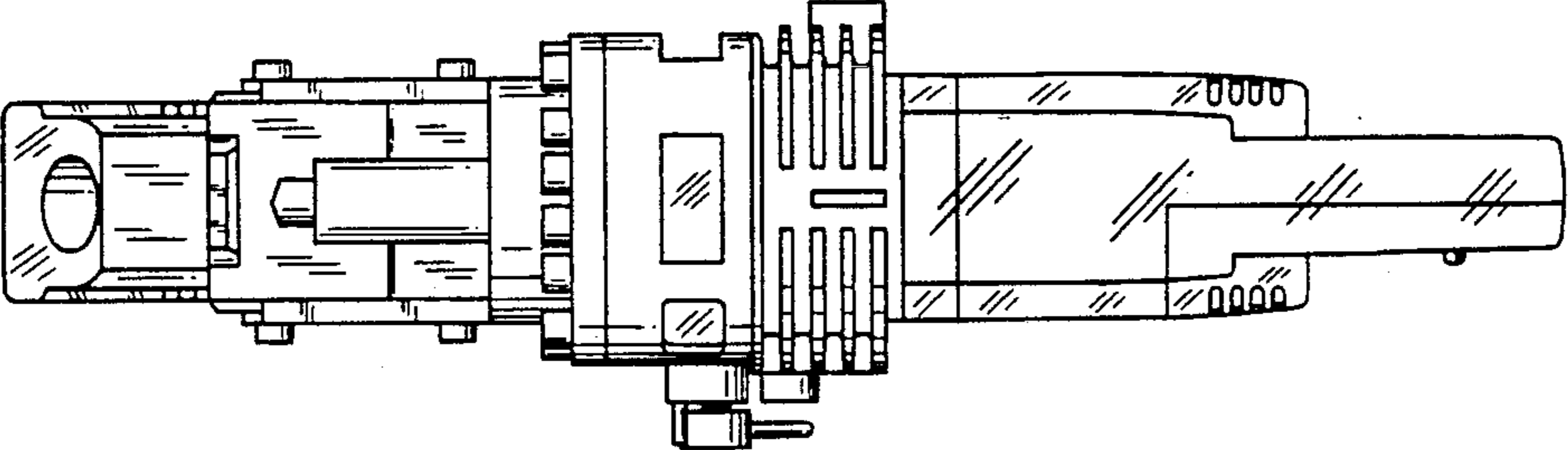


FIG. 3

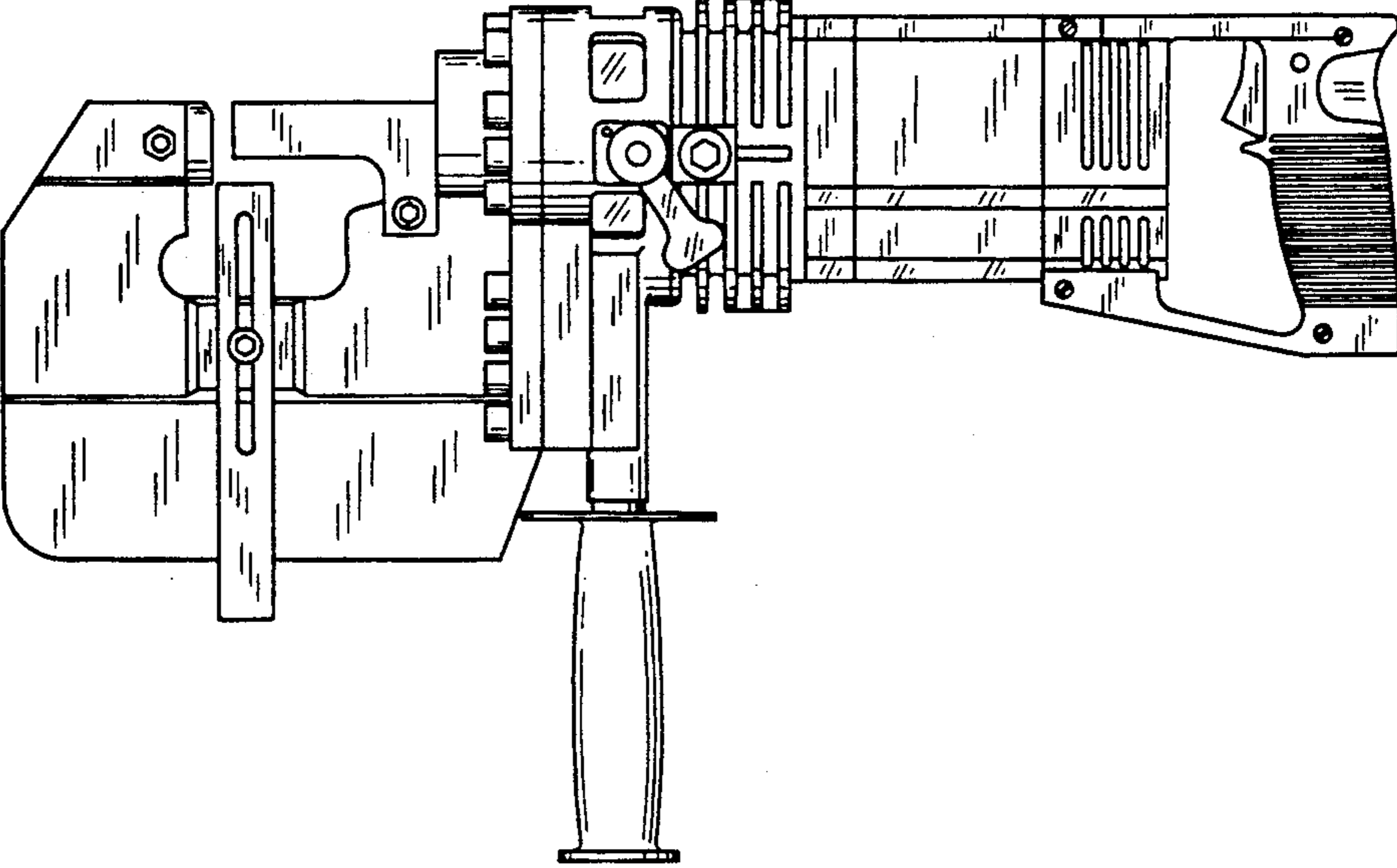


FIG. 4

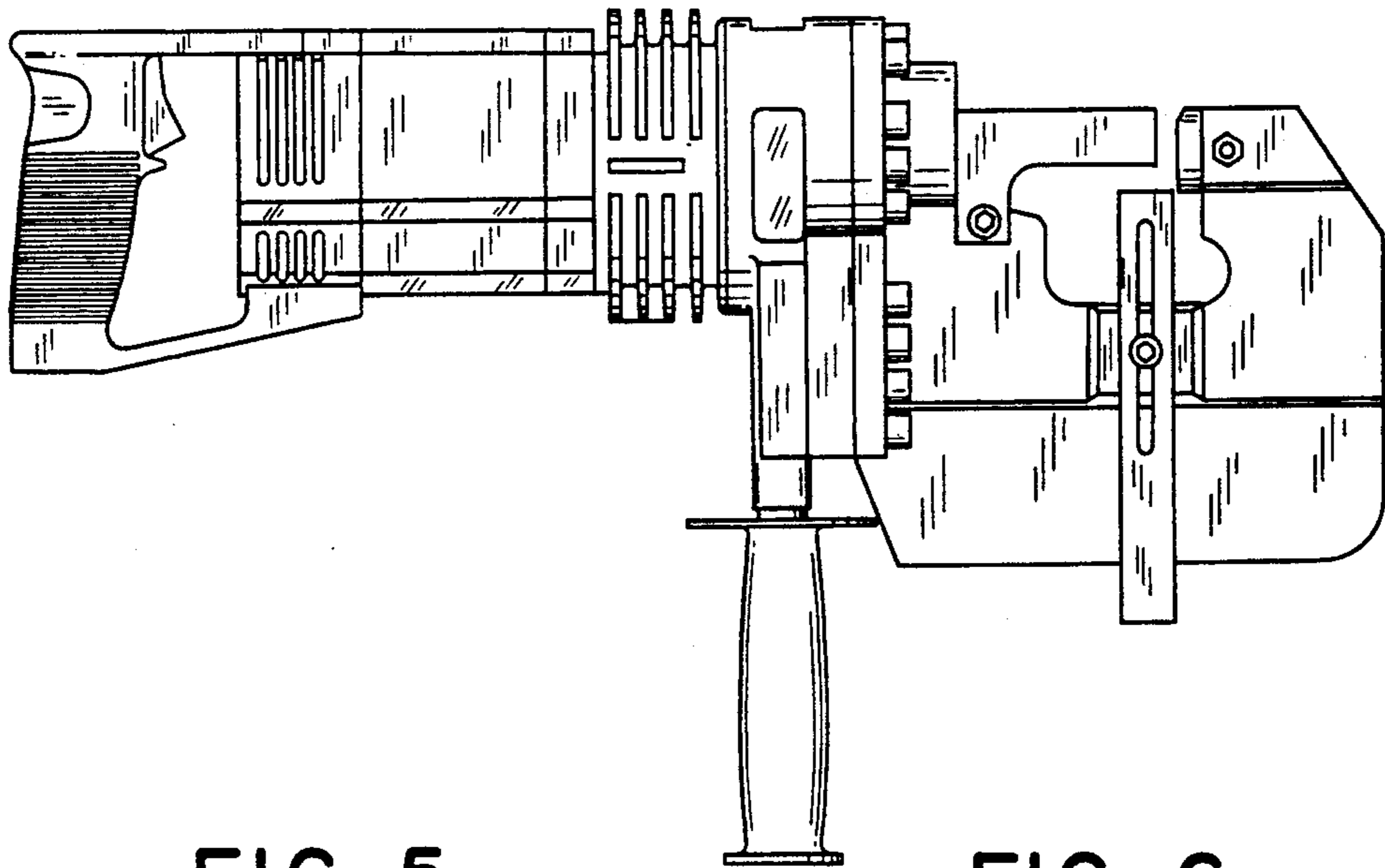


FIG. 5

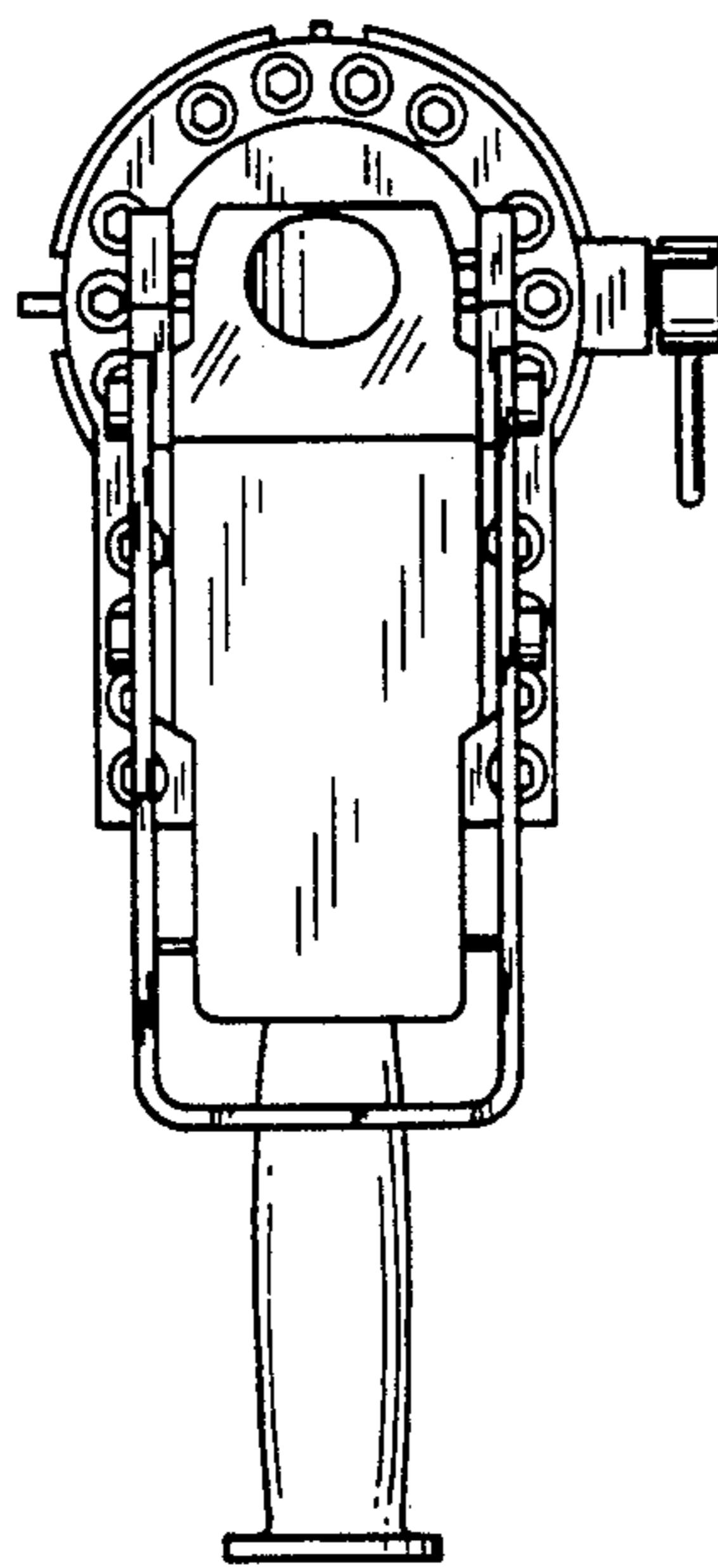


FIG. 6

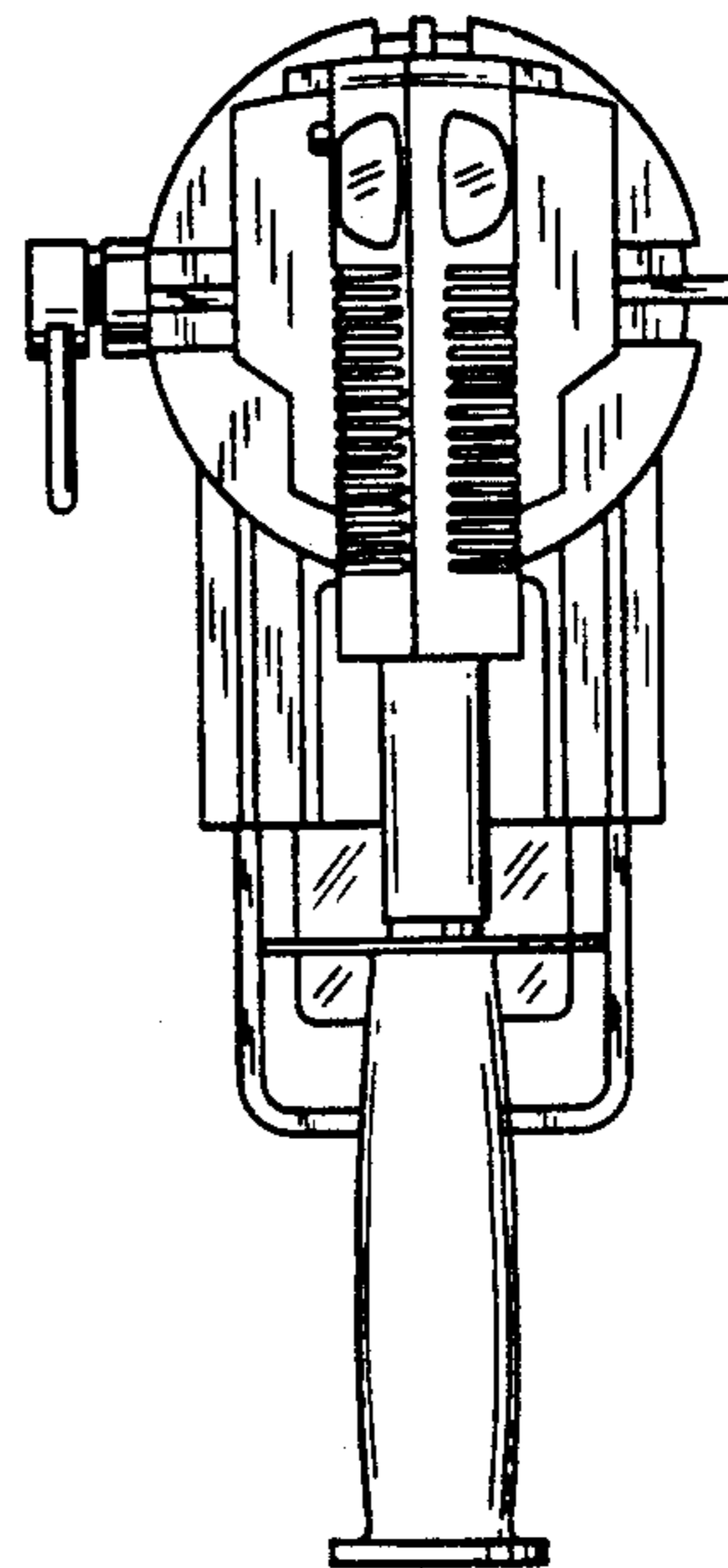


FIG. 7

