



US00D333141S

United States Patent [19]

[11] Patent Number: **Des. 333,141**

Kilström et al.

[45] Date of Patent: **** Feb. 9, 1993**

[54] **SUSPENSION INSTRUMENT FOR ROTOR OF GRINDING MACHINE**

[56] **References Cited**

[75] Inventors: **Lars G. Kilström, Täby; Sten A. R. Hansen, Åmål, both of Sweden**

U.S. PATENT DOCUMENTS

3,678,383 7/1972 Boreas 324/154 R
4,180,774 12/1979 Odone et al. 324/154 R X
4,496,902 1/1985 Miura et al. 324/154 R X

[73] Assignee: **Aktiebolaget Electrolux, Stockholm, Sweden**

Primary Examiner—Alan P. Douglas
Assistant Examiner—Antoine D. Davis
Attorney, Agent, or Firm—Pearne, Gordon, McCoy & Granger

[**] Term: **14 Years**

[57] CLAIM

[21] Appl. No.: **476,279**

The ornamental design for a suspension instrument for rotor of grinding machine, as shown and described.

[22] Filed: **Feb. 7, 1990**

DESCRIPTION

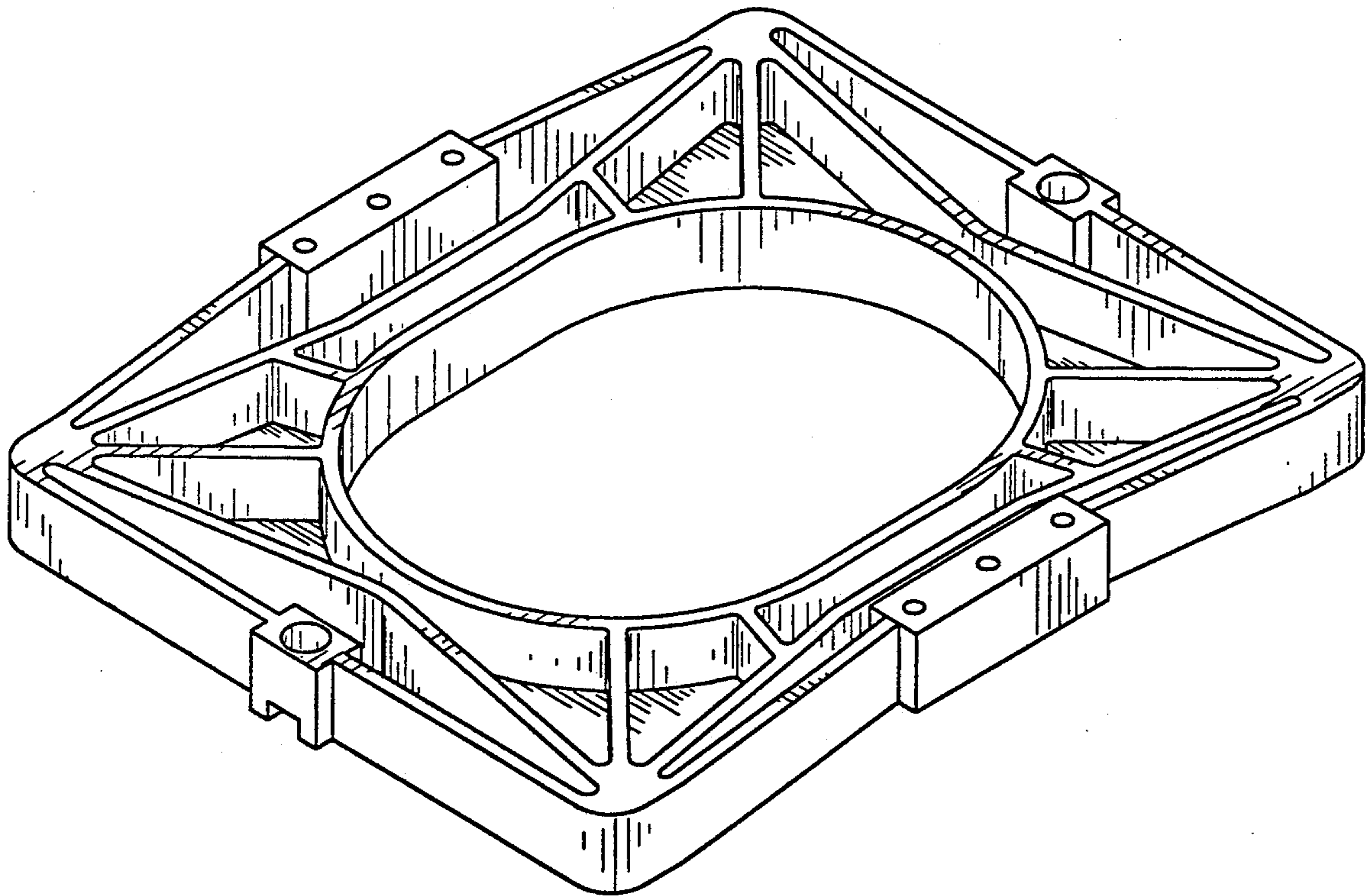
[30] Foreign Application Priority Data

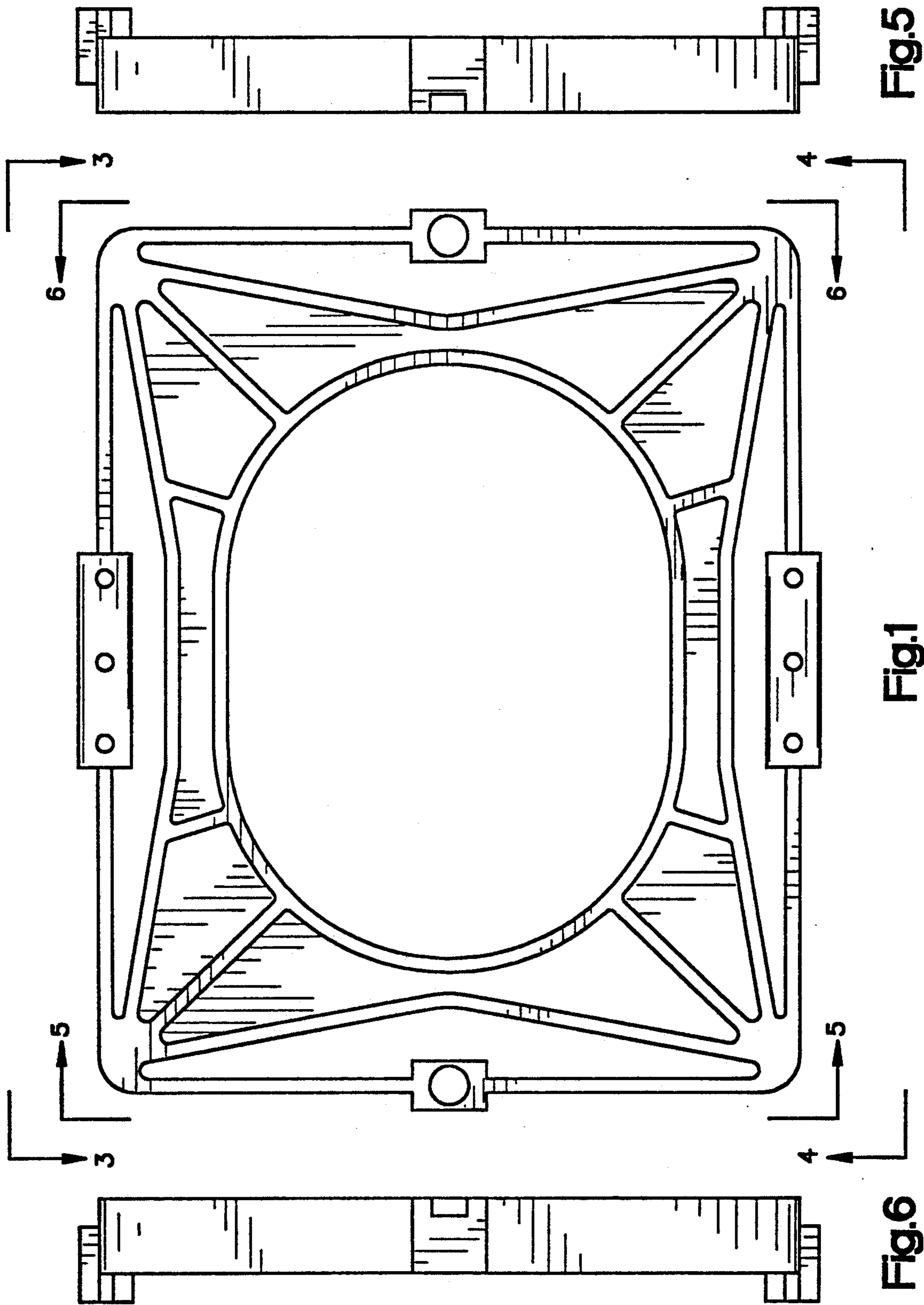
Aug. 8, 1989 [SE] Sweden 891802

[52] U.S. Cl. **D15/124**

[58] Field of Search D15/124, 125, 126, 199;
324/154 R

FIG. 1 is a top plan view of a suspension instrument for rotor of grinding machine showing our new design;
FIG. 2 is a bottom plan view;
FIG. 3 is a front elevational view;
FIG. 4 is a rear elevational view;
FIG. 5 is a right side elevational view;
FIG. 6 is a left side elevational view; and,
FIG. 7 is a perspective view thereof.





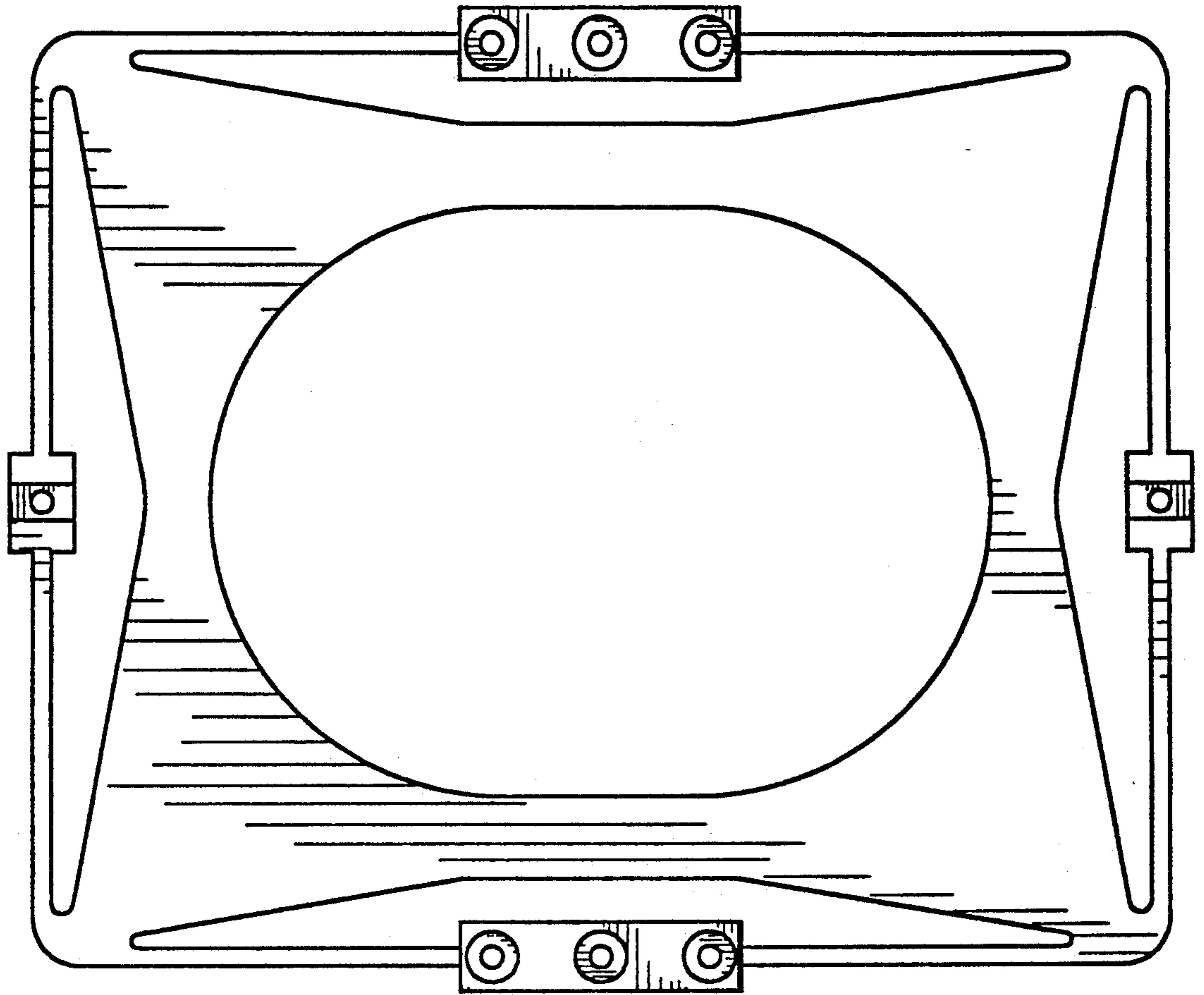


Fig.2

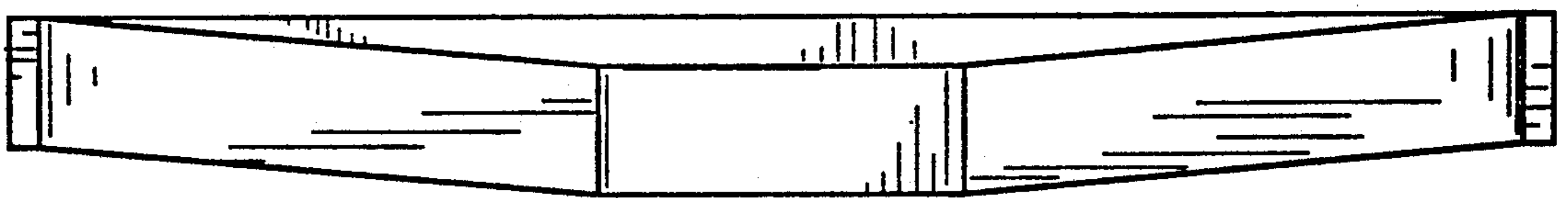


Fig.3

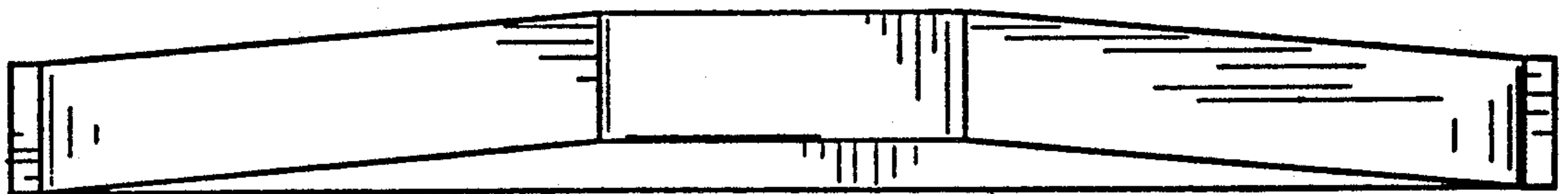


Fig.4

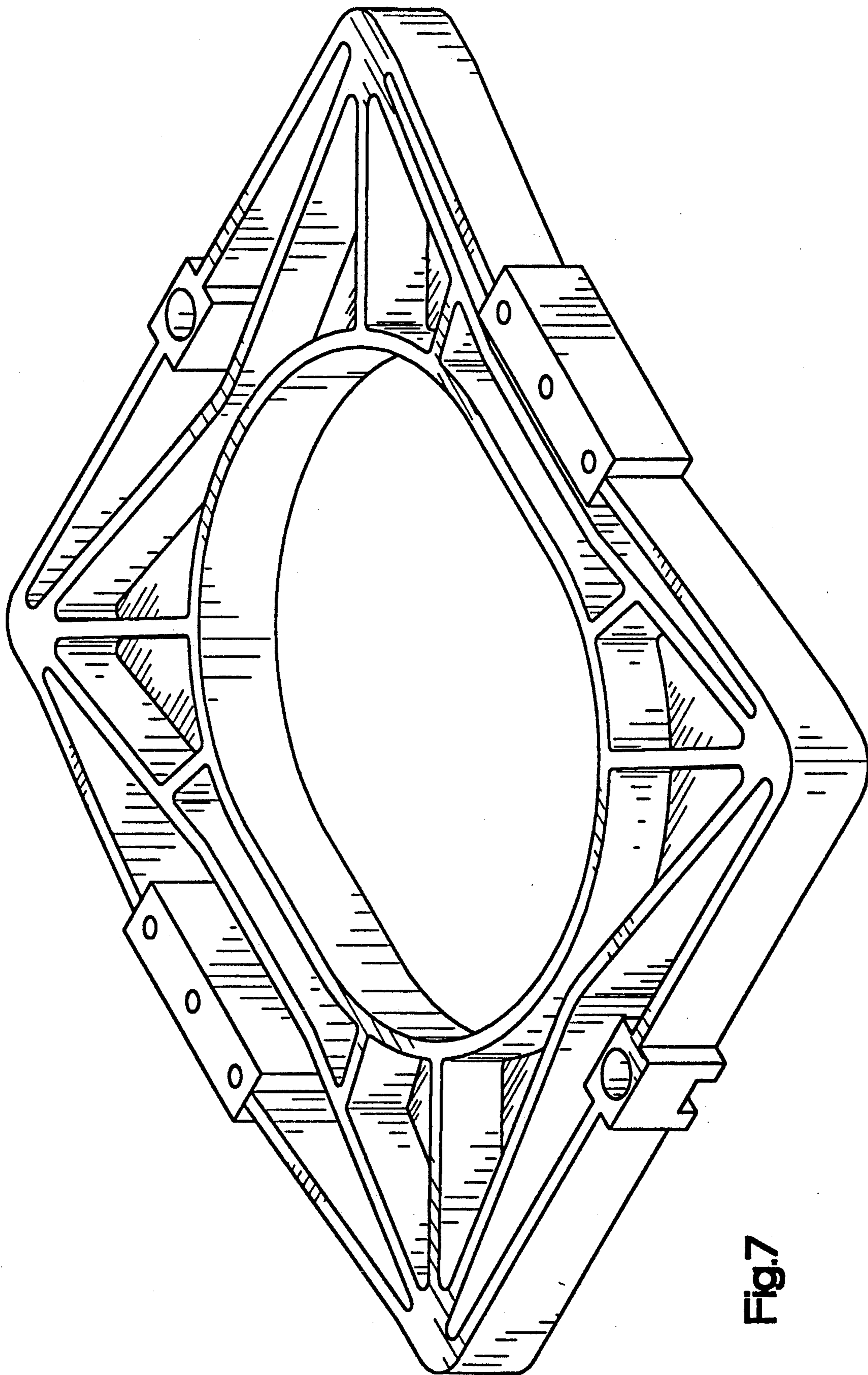


Fig.7