



US00D333135S

United States Patent [19]

[11] Patent Number: **Des. 333,135**

Wachob et al.

[45] Date of Patent: **** Feb. 9, 1993**

[54] **COMBINED REMOTE CONTROL AND CORDLESS TELEPHONE**

D. 322,435 12/1991 Nakamachi et al. D14/147 X
D. 322,437 12/1991 Myoga D14/147 X

[75] Inventors: **David E. Wachob, Elkins Park, Pa.; Charles Curbbun, Huntington Beach, Calif.**

Primary Examiner—Horace B. Fay, Jr.
Attorney, Agent, or Firm—Barry R. Lipsitz

[73] Assignee: **General Instrument Corporation, Hatboro, Pa.**

[57] **CLAIM**

[**] Term: **14 Years**

The ornamental design for a combined remote control and cordless telephone, as shown and described.

[21] Appl. No.: **712,210**

DESCRIPTION

[22] Filed: **Jun. 13, 1991**

FIG. 1 is a perspective view of a combined remote control and cordless handset telephone cradled upon its base showing our new design;

Related U.S. Application Data

[63] Continuation-in-part of Ser. No. 637,747, Jan. 7, 1991.

FIG. 2 is a top plan view of the handset telephone upon its base;

[52] U.S. Cl. **D14/138; D14/147; D14/248**

FIG. 3 is a right side elevational view of the handset telephone, not upon its base, the side opposite being a mirror image thereof;

[58] Field of Search **D14/147, 148, 142, 138, D14/248; 379/433**

FIG. 4 is a bottom plan view of the handset telephone not upon its base;

[56] **References Cited**

U.S. PATENT DOCUMENTS

- D. 272,146 1/1984 Mo D14/147
- D. 284,663 7/1986 Edwards D14/147 X
- D. 298,240 10/1988 Chang D14/148
- D. 300,743 4/1989 Zougg et al. D14/248 X
- D. 302,689 8/1989 Murakami D14/142 X
- D. 305,888 2/1990 Bevikaequa D14/147 X
- D. 316,261 4/1991 Langlos D14/147 X
- D. 316,410 4/1991 Watanabe D14/138
- D. 316,857 5/1991 Park D14/138

FIGS. 5 and 6 are respectively top end and bottom ends of the handset telephone, not upon its base;

FIG. 7 is a rear side perspective view of the handset telephone not upon its base;

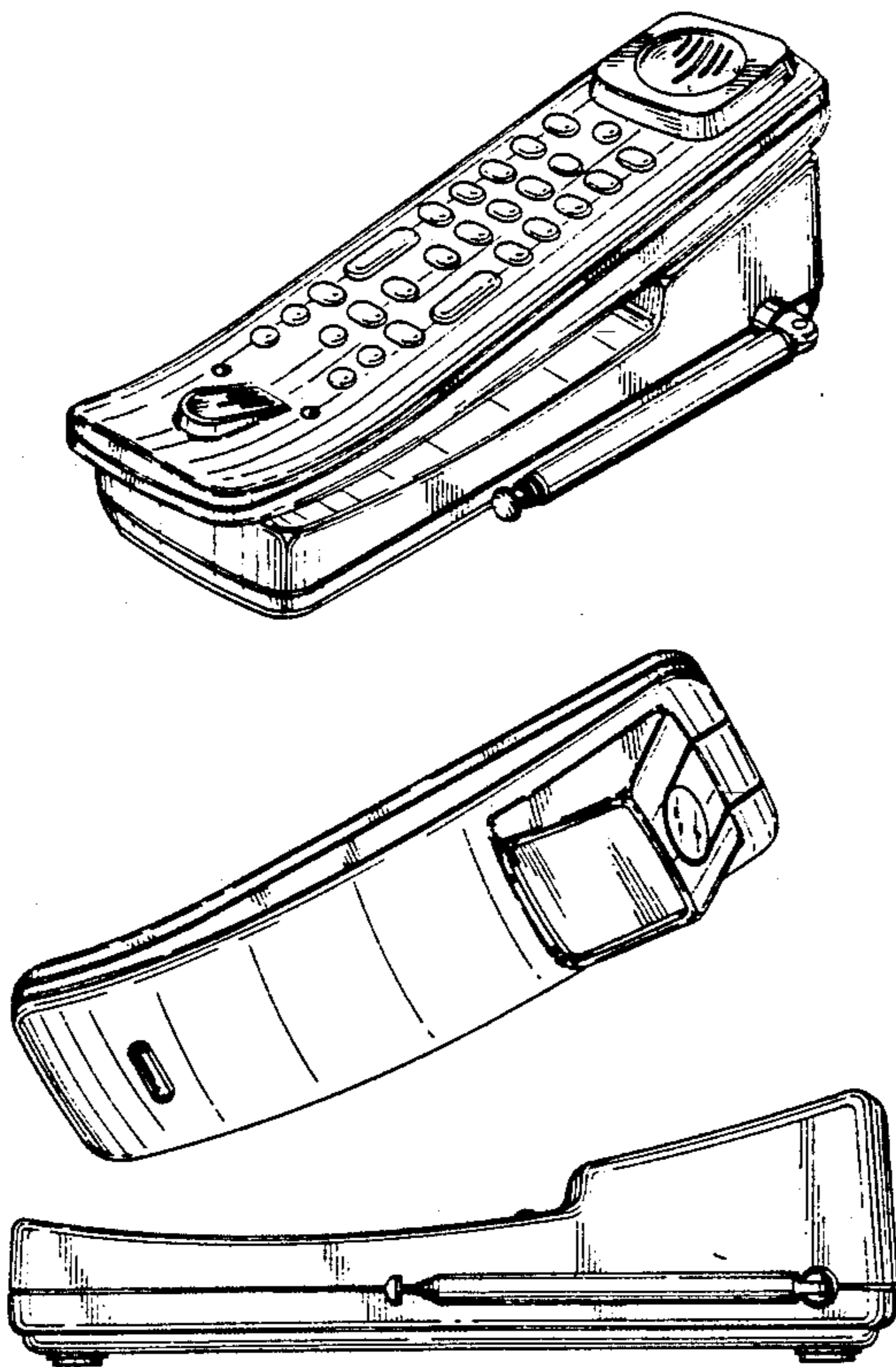
FIG. 8 is a right side elevational view of the base unit above;

FIG. 9 is a left side elevational view of the right side of the base alone;

FIG. 10 is a top plan view of the base unit alone; thereof;

FIGS. 11 and 12 are respectively bottom and top ends of the base unit alone, and,

FIG. 13 is a bottom plan view of the base done.



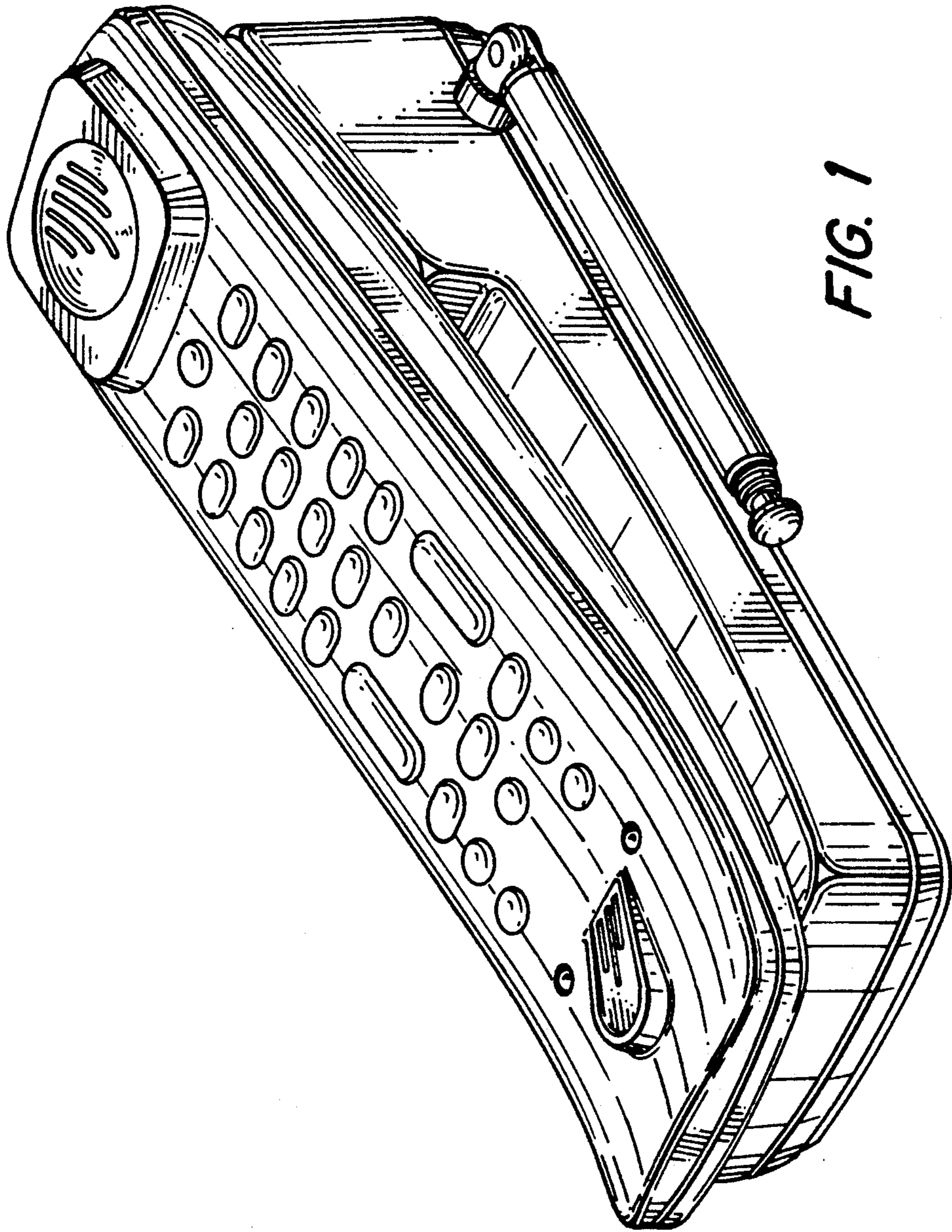


FIG. 1

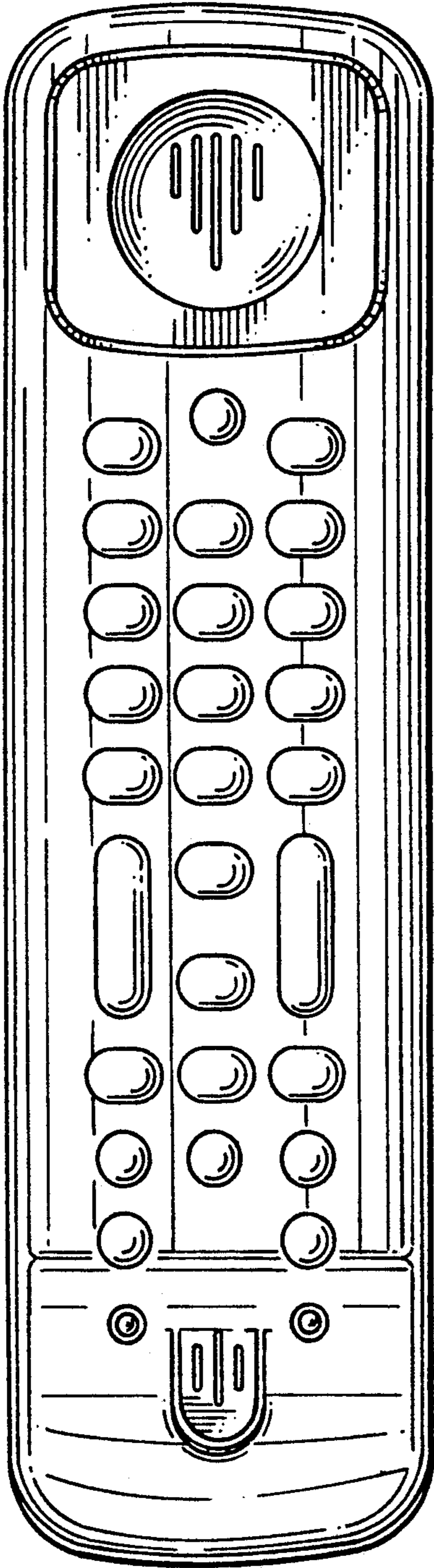


FIG. 2

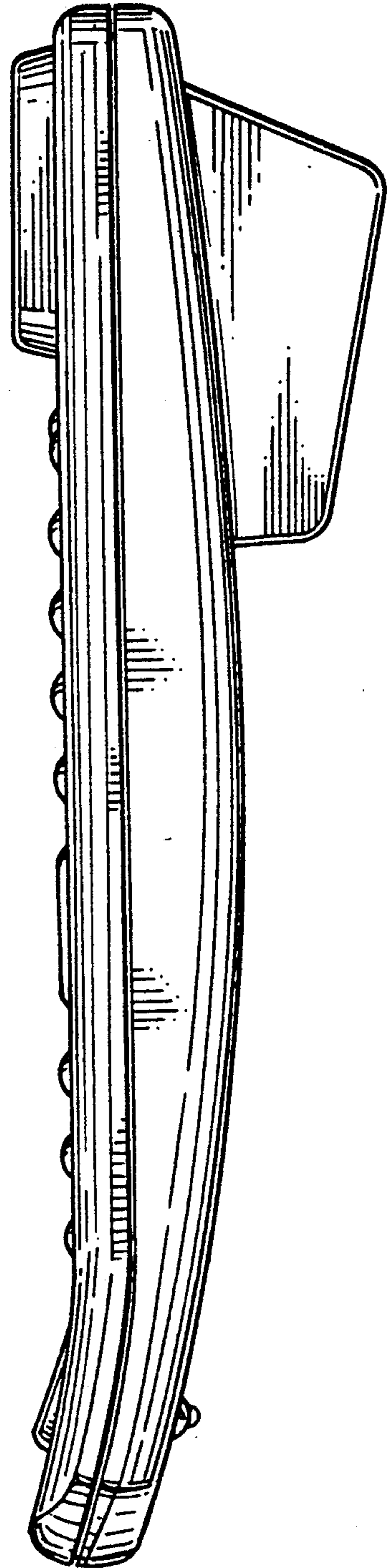


FIG. 3

FIG. 4

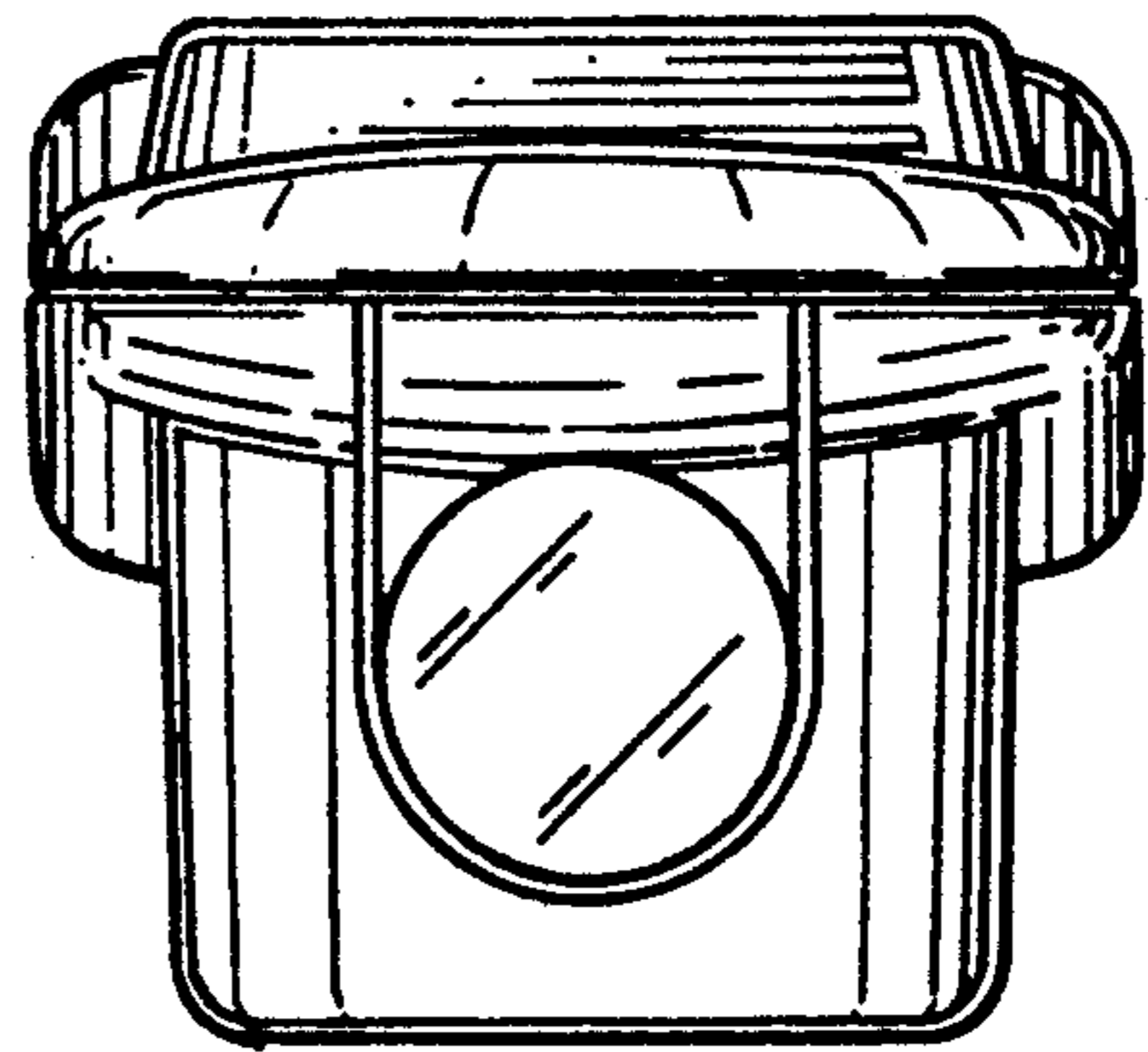
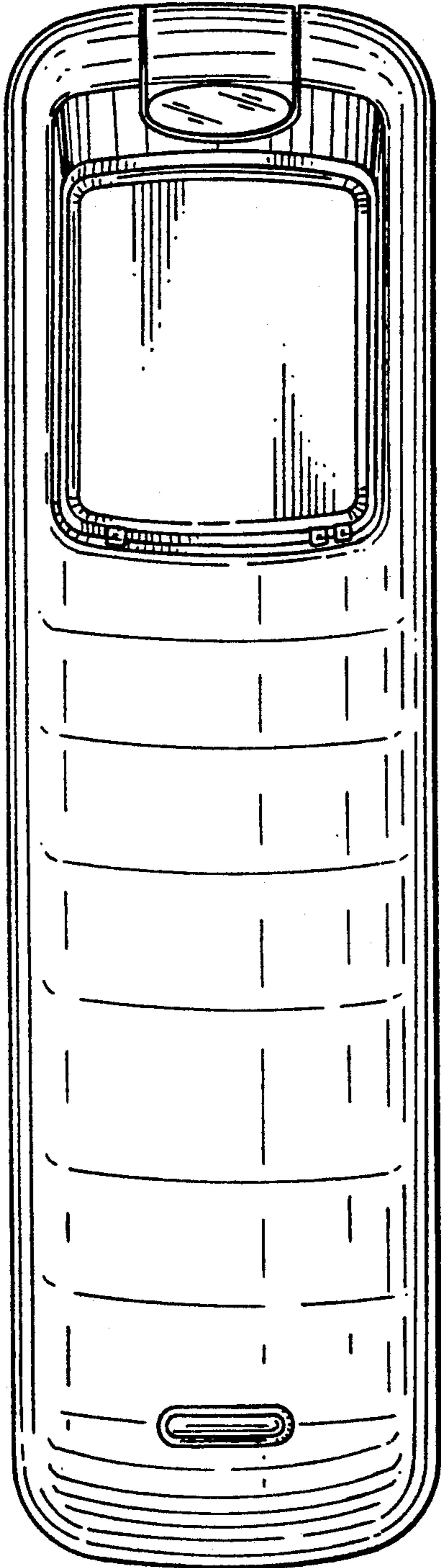


FIG. 5

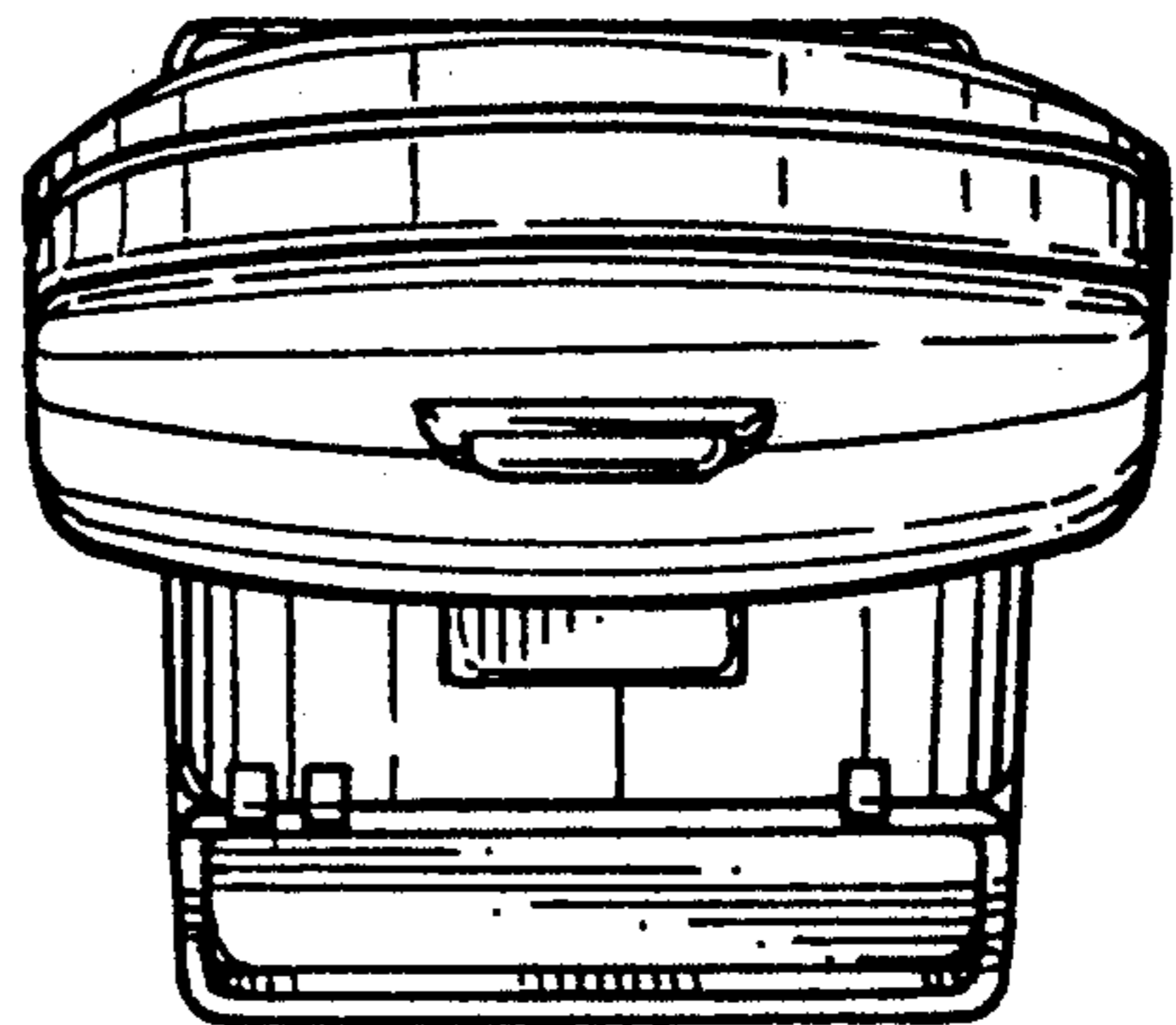
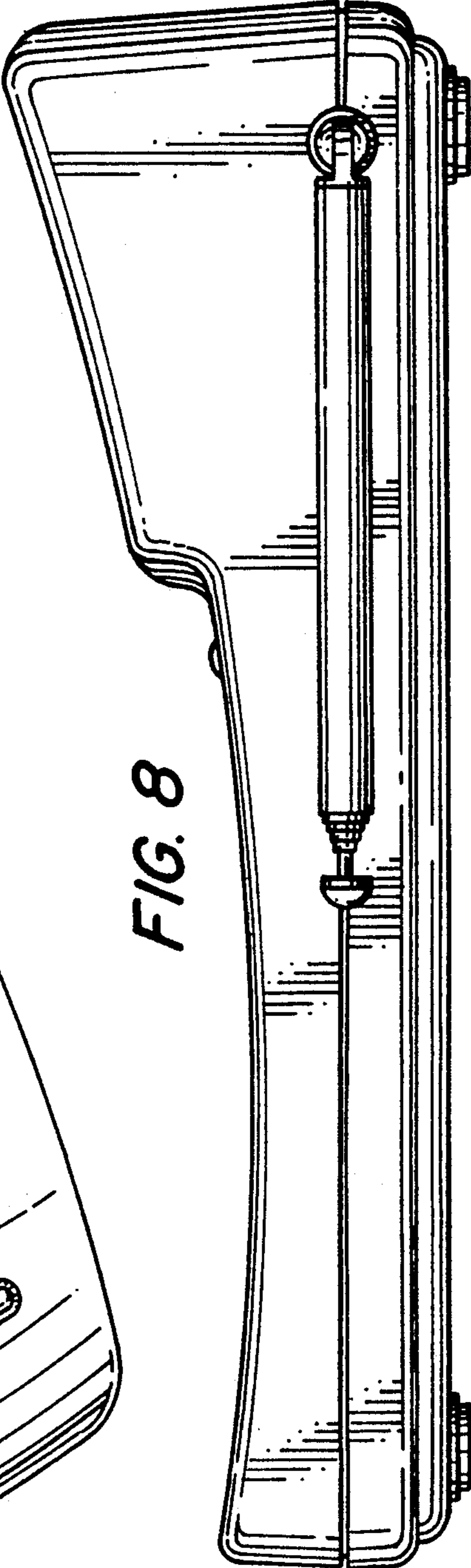
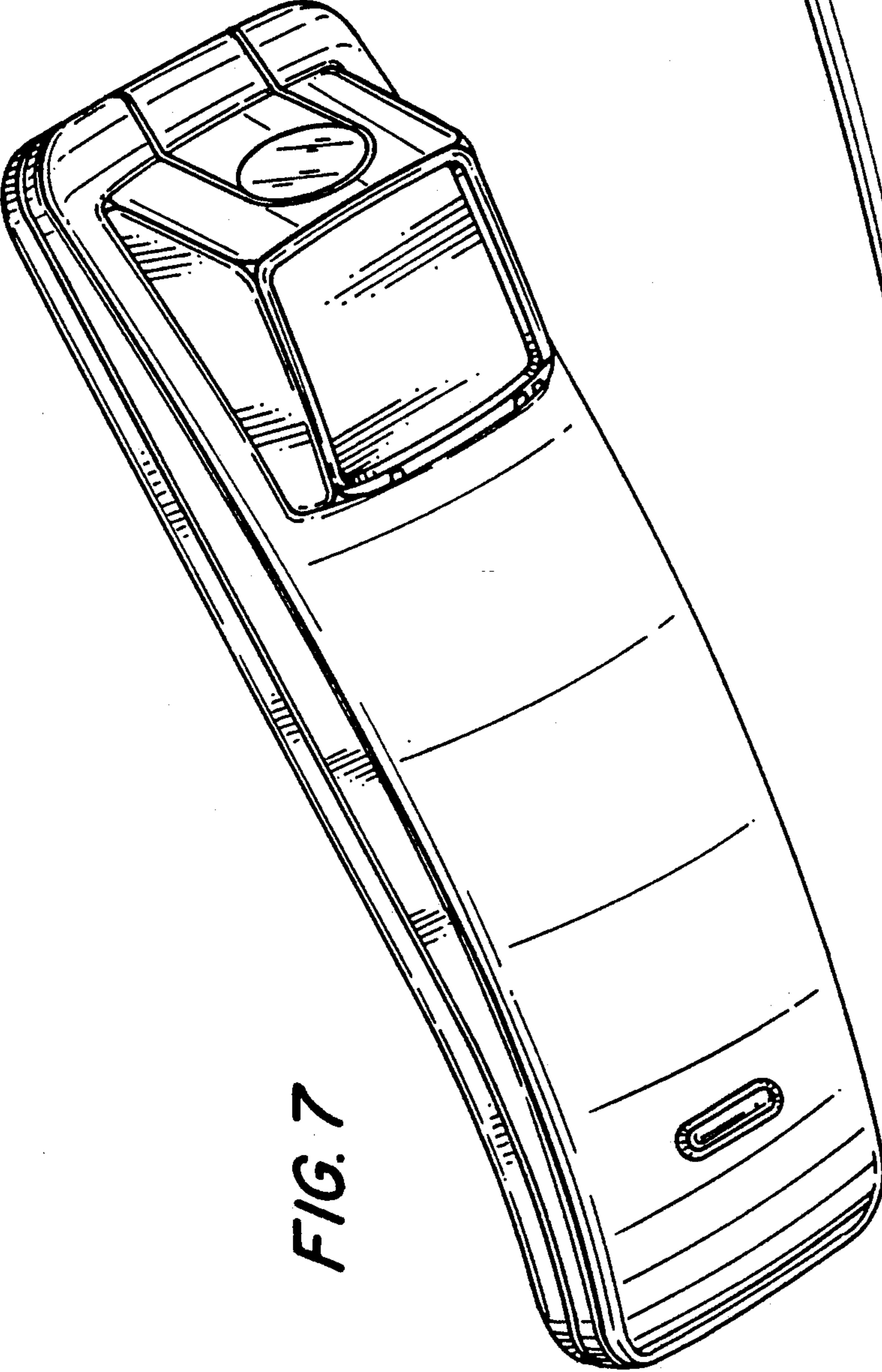
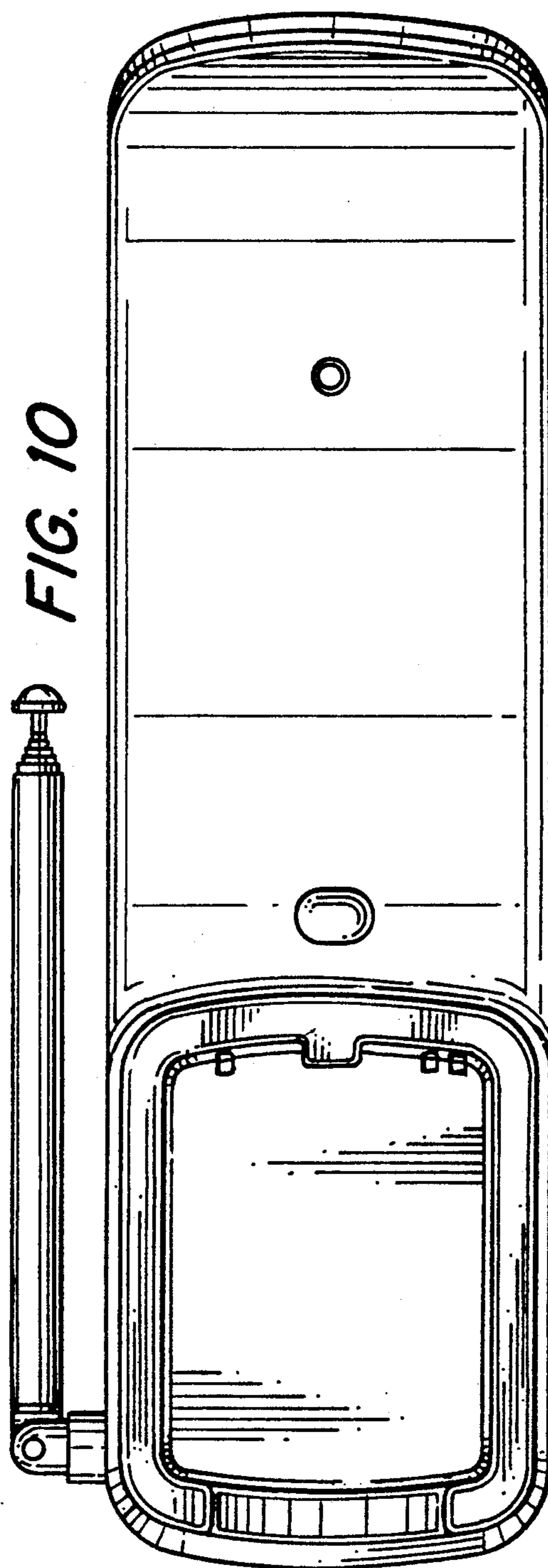
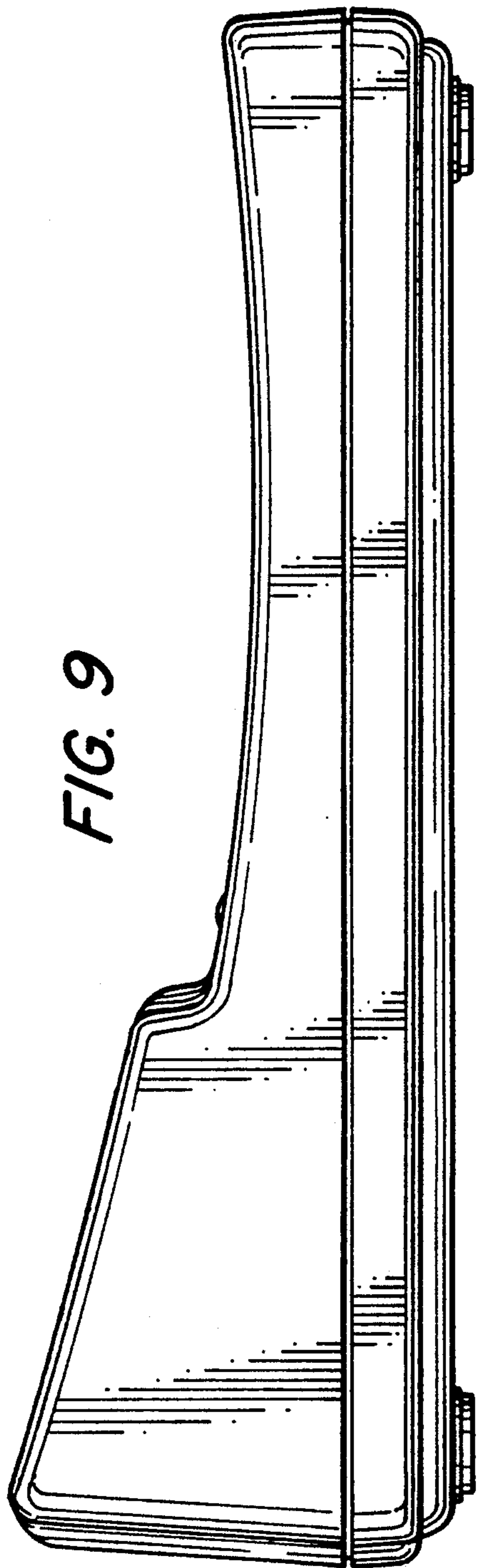


FIG. 6





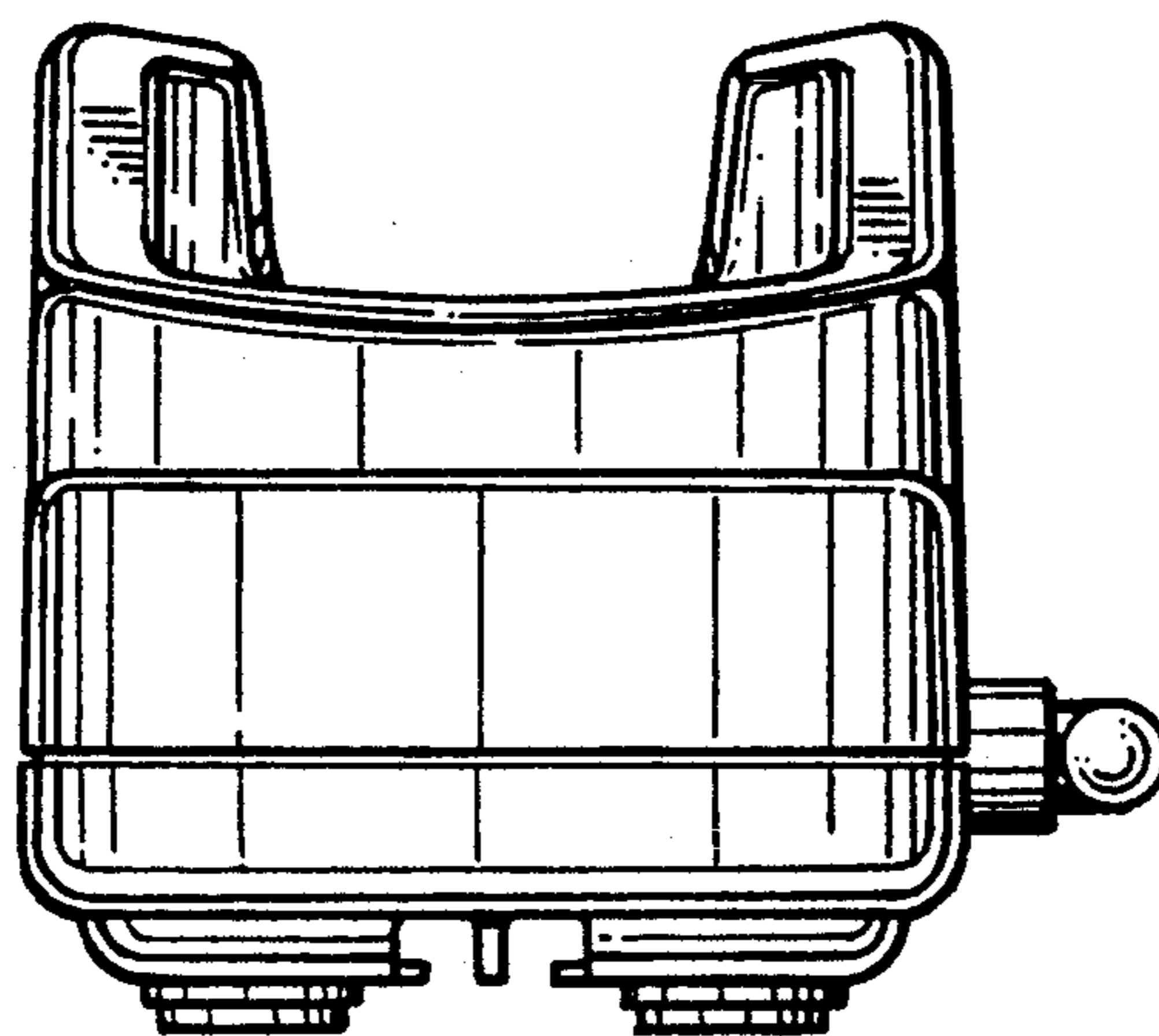


FIG. 11

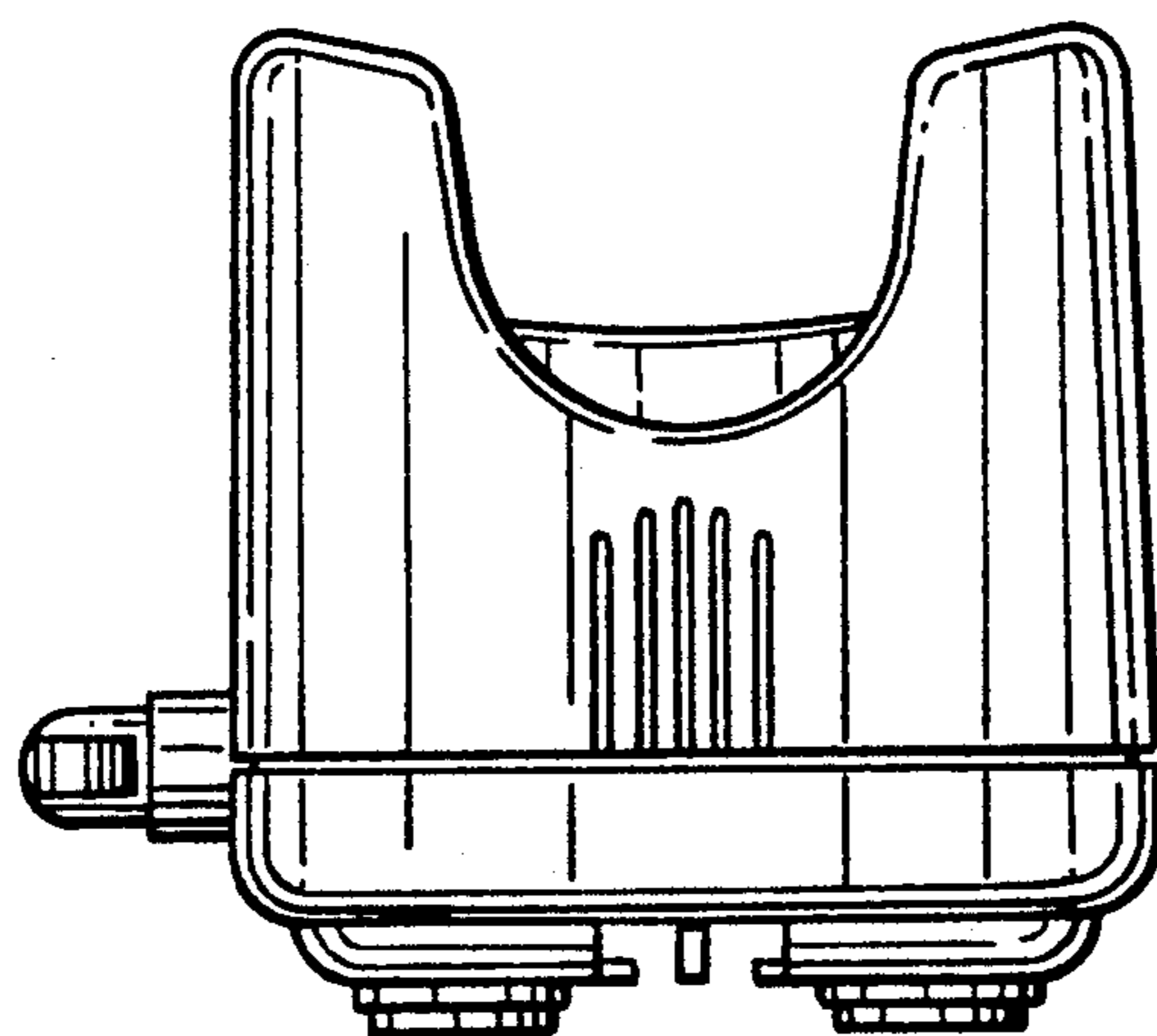


FIG. 12

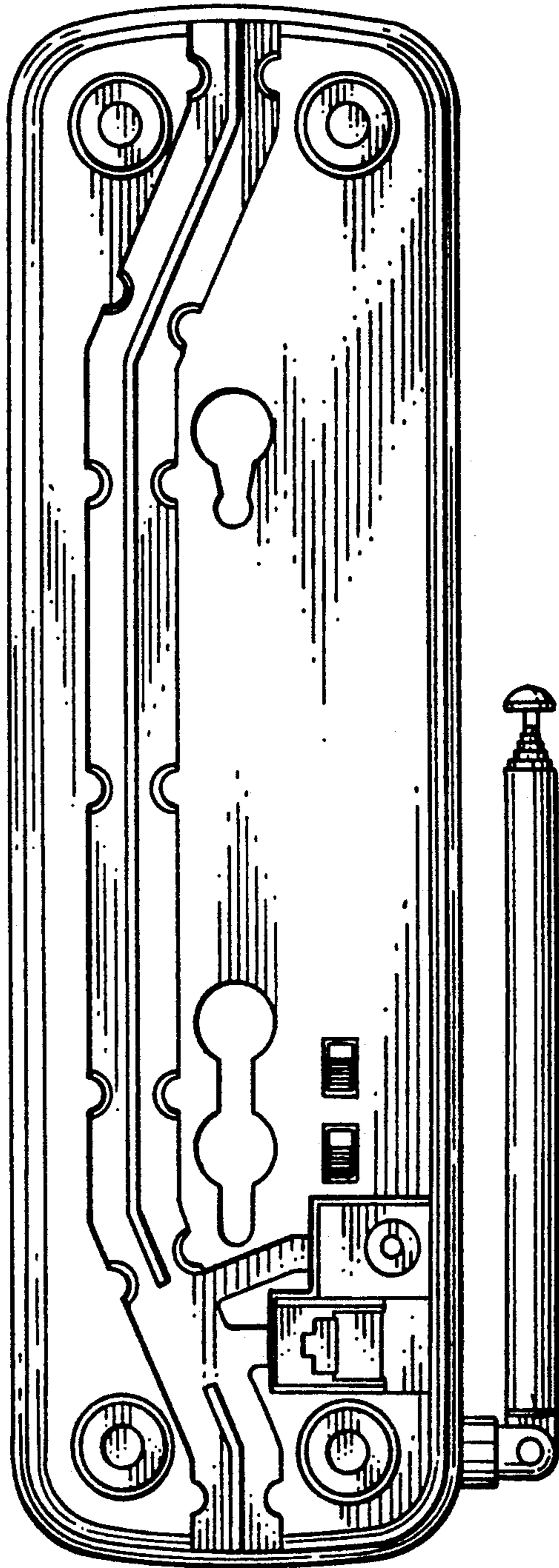


FIG. 13