



US00D333123S

United States Patent [19]

[11] Patent Number: **Des. 333,123**

Van Riper et al.

[45] Date of Patent: **** Feb. 9, 1993**

[54] **LAMP-BULB-RECEPTIVE SOCKET
PORTION OF A MOLDED-PLASTIC
VEHICLE LAMP ASSEMBLY**

Primary Examiner—Wallace R. Burke
Assistant Examiner—Joel Sincavage
Attorney, Agent, or Firm—Mason, Fenwick & Lawrence

[75] Inventors: **Bradley C. Van Riper, Kennedy;
Martin P. Van Fossan, Jamestown,**
both of N.Y.

[57] **CLAIM**

The ornamental design for a lamp-bulb-receptive socket portion of a molded-plastic vehicle lamp assembly, as shown and described.

[73] Assignee: **Truck-Lite Co., Inc., Falconer, N.Y.**

[**] Term: **14 Years**

DESCRIPTION

[21] Appl. No.: **584,865**

[22] Filed: **Sep. 19, 1990**

[52] U.S. Cl. **D13/134**

[58] **Field of Search** **D13/134, 135, 136;**
D26/24, 25, 28; 439/168, 220, 226, 280, 336,
382, 419, 602, 605, 617, 650, 657, 658; 313/318;
362/11, 227, 368, 396; 174/50.52

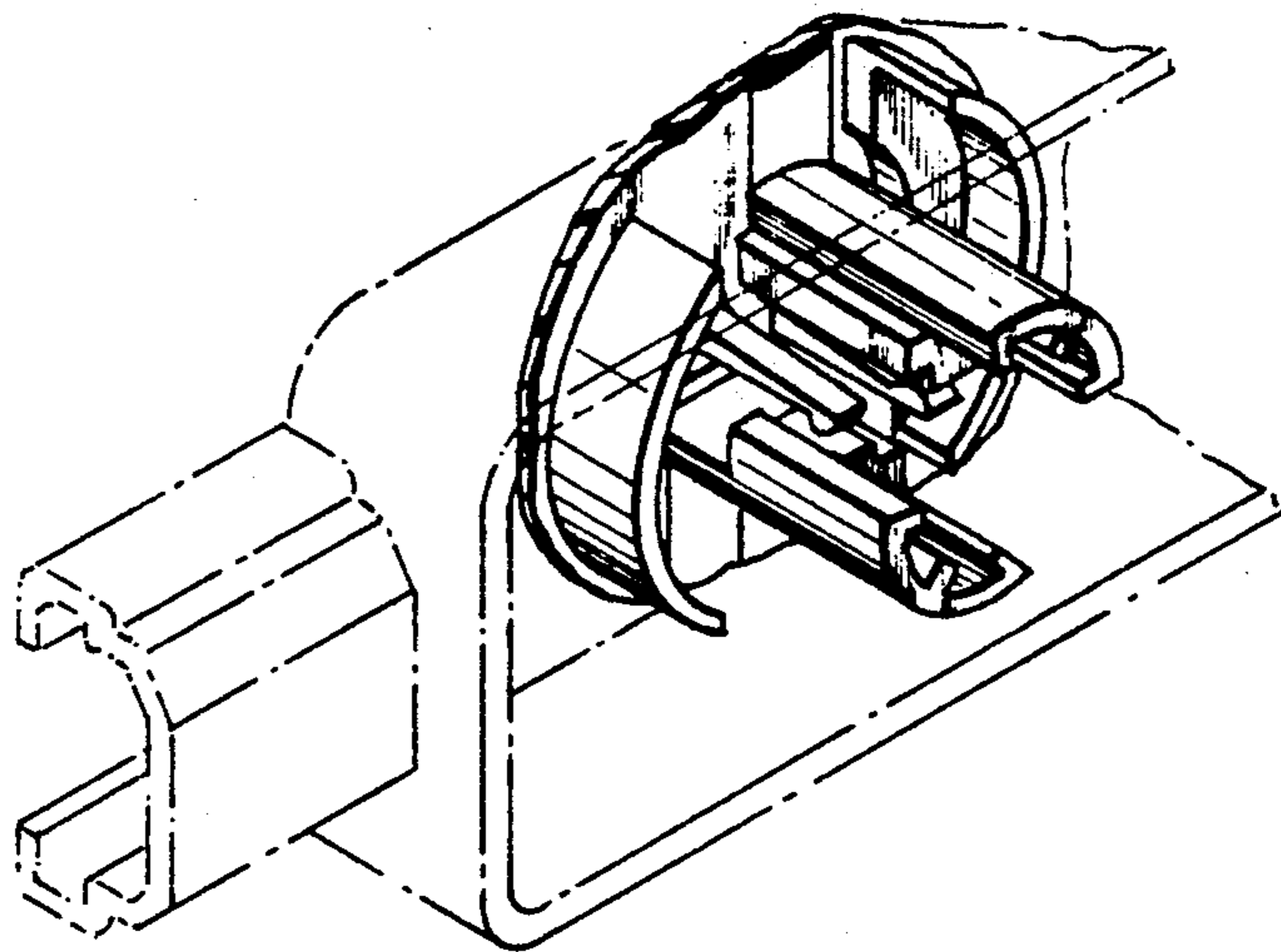
FIG. 1 is a front and upper left perspective view of a lamp-bulb-receptive socket portion of a molded-plastic vehicle lamp assembly showing our new design, the rear wall of the socket, shown in section, being a fragment of the complete lamp assembly. The broken line illustrations of portions of the lamp housing structure are included for the purpose of illustrating environmental elements that form no part of the claimed design;

[56] **References Cited**

U.S. PATENT DOCUMENTS

2,186,469	1/1940	Wolf	D26/25 X
2,534,804	12/1950	Tiscione	D26/25 X
3,032,738	5/1962	Bonanno	D13/136 X
3,093,320	6/1963	Knapp	362/227
3,118,616	1/1964	Magazanik	362/227
3,512,032	5/1970	Malachowski	174/50.52
4,639,841	1/1987	Salestrom et al.	362/227
4,967,328	10/1990	Tatavoosian	439/382 X

FIG. 2 is a front elevational view thereof;
FIG. 3 is a right side elevational view thereof, the left side elevational view thereof being a mirror image and the rear wall of the socket, shown in section, being a fragment of the complete lamp assembly;
FIG. 4 is a bottom plan view thereof;
FIG. 5 is a cross-sectional view thereof taken along line 5—5 of FIG. 2; and,
FIG. 6 is a cross-sectional view thereof taken along line 6—6 of FIG. 4.



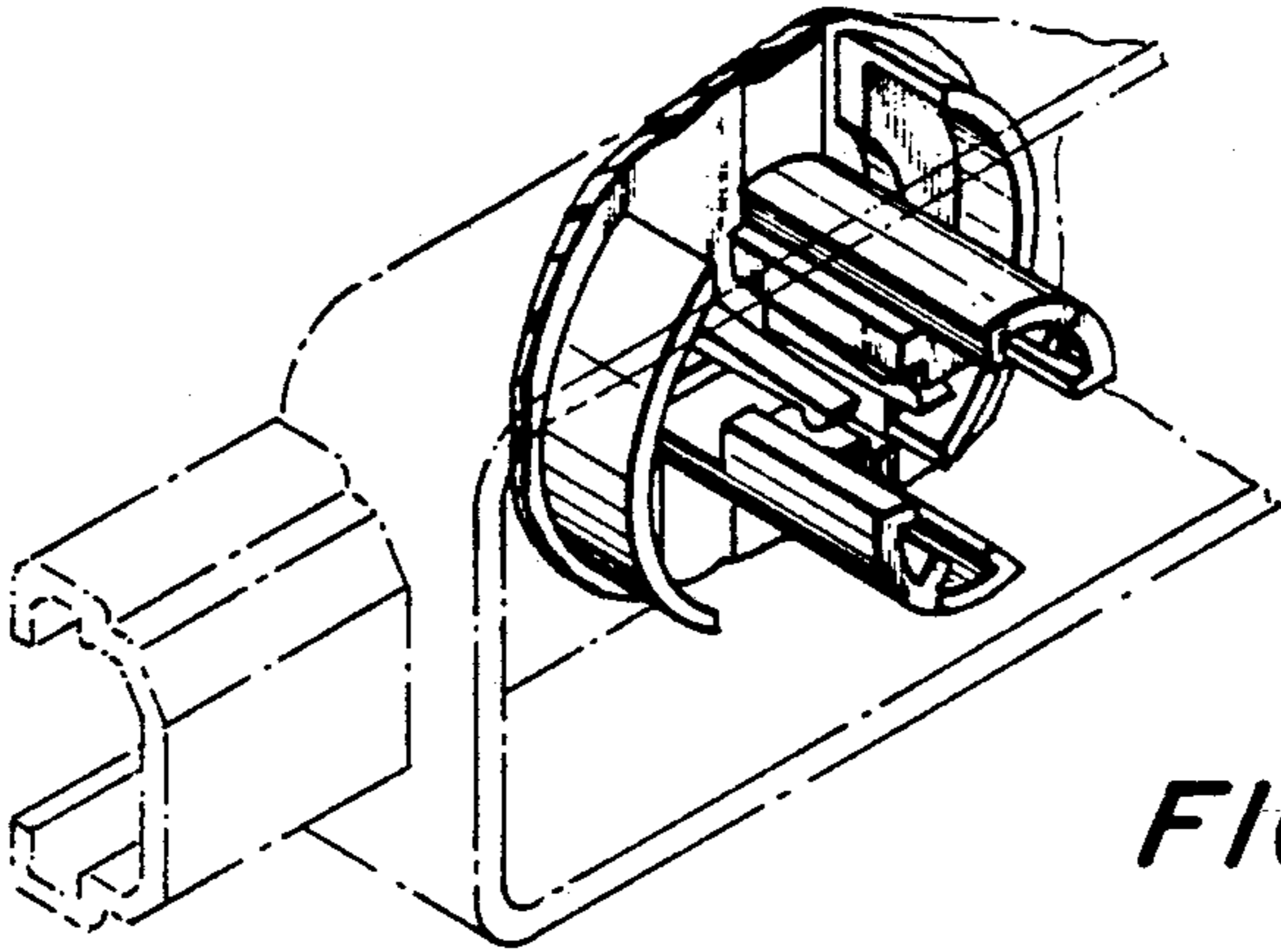


FIG. 1

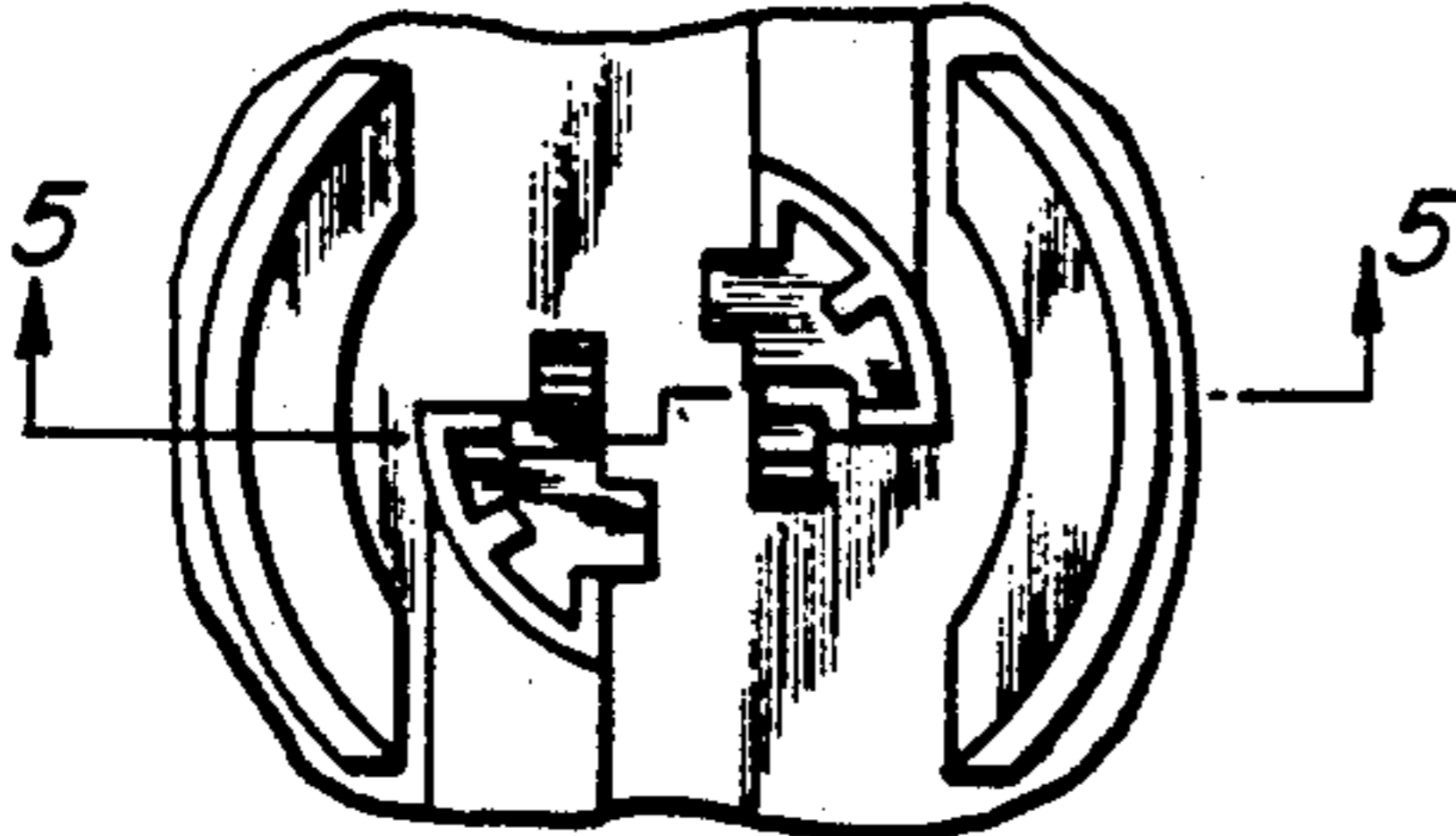


FIG. 2

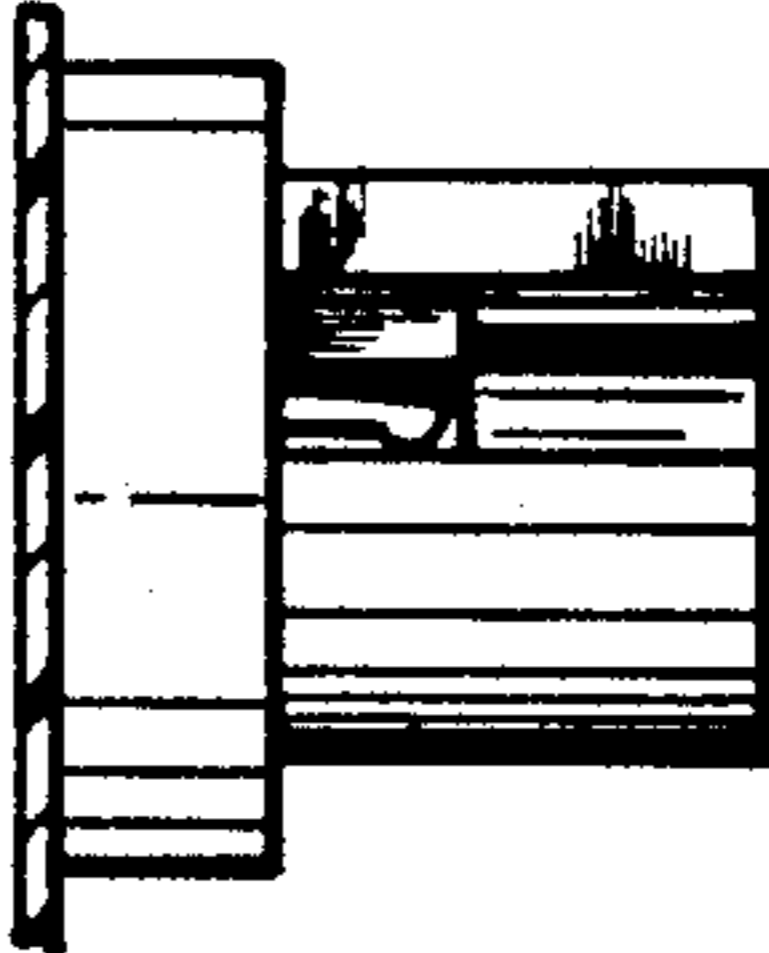


FIG. 3

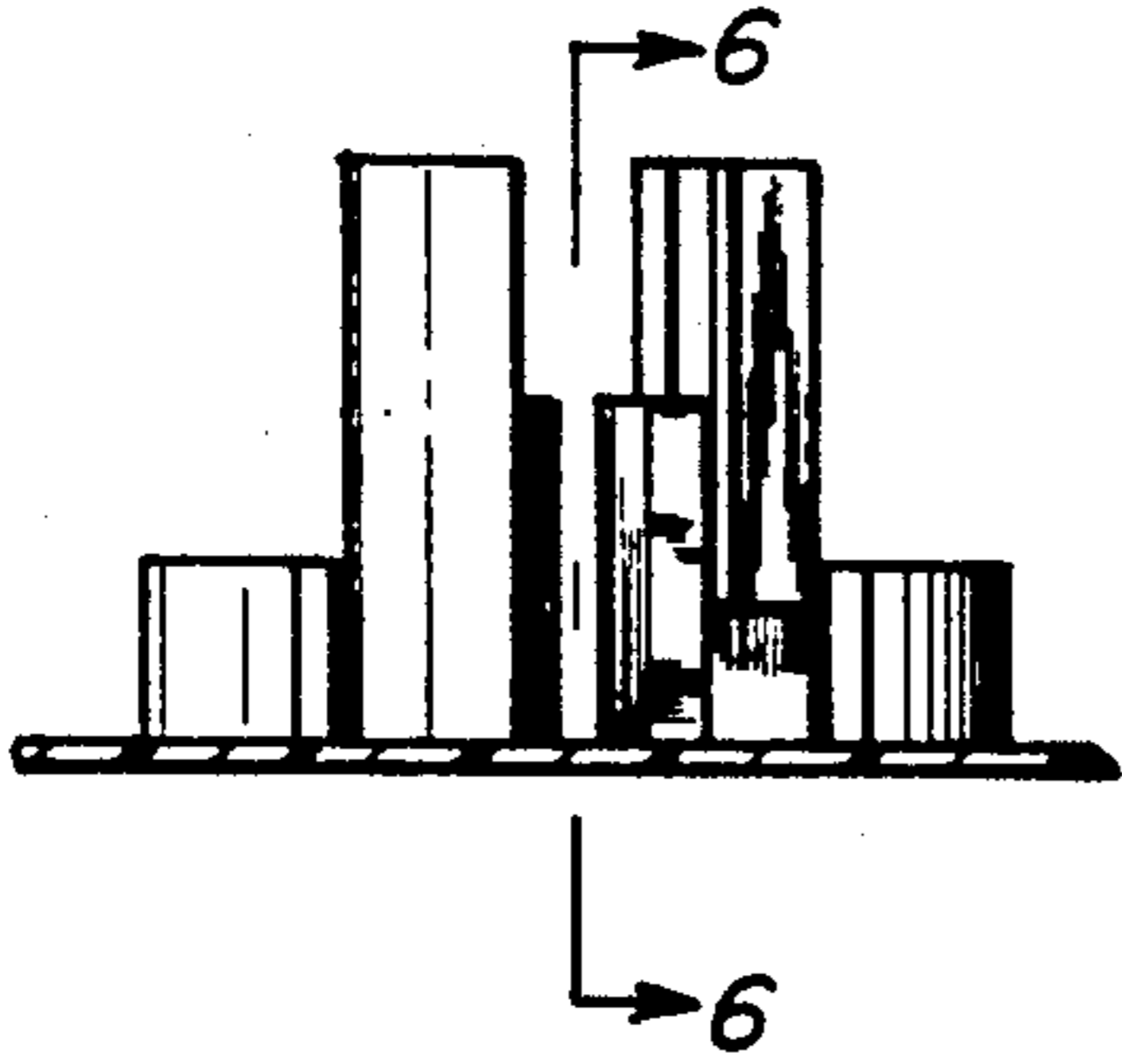


FIG. 4

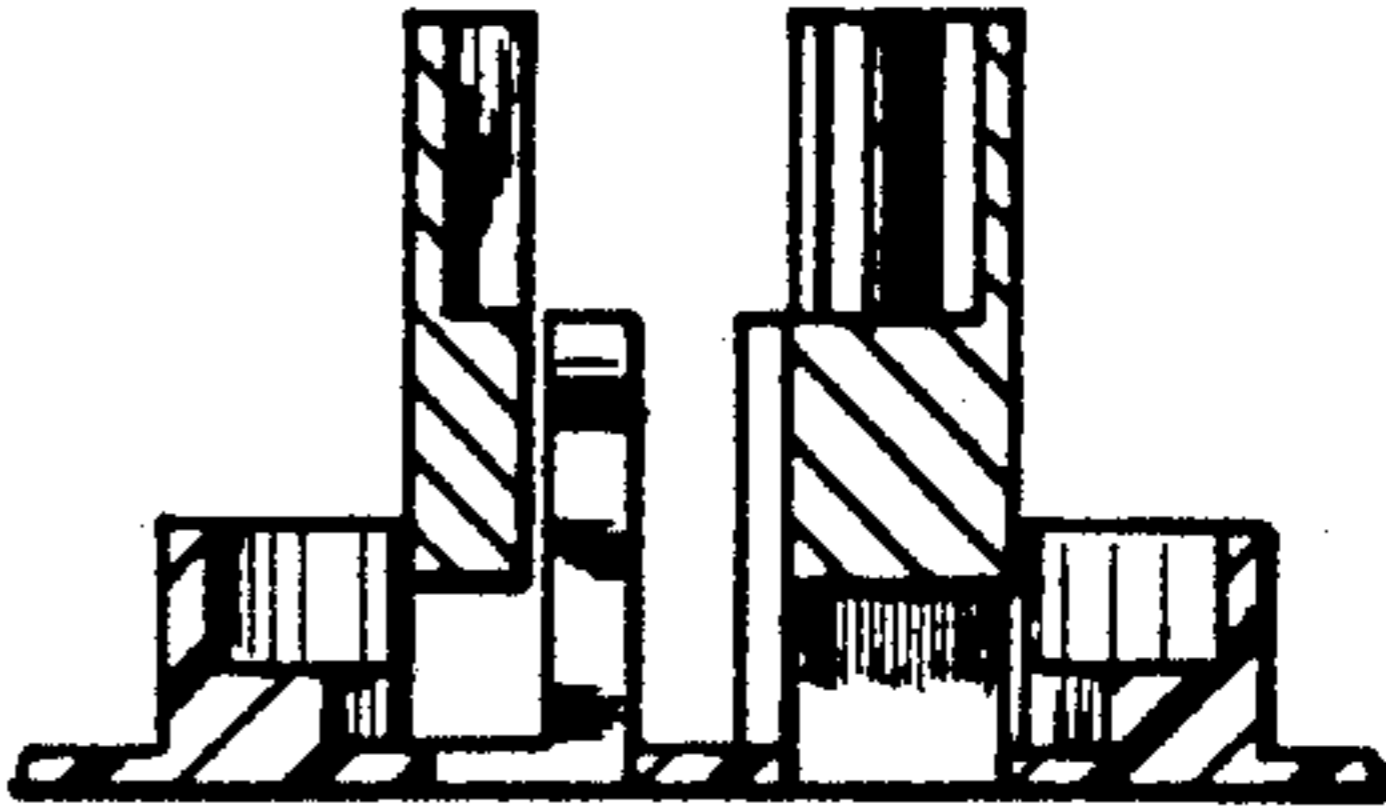


FIG. 5

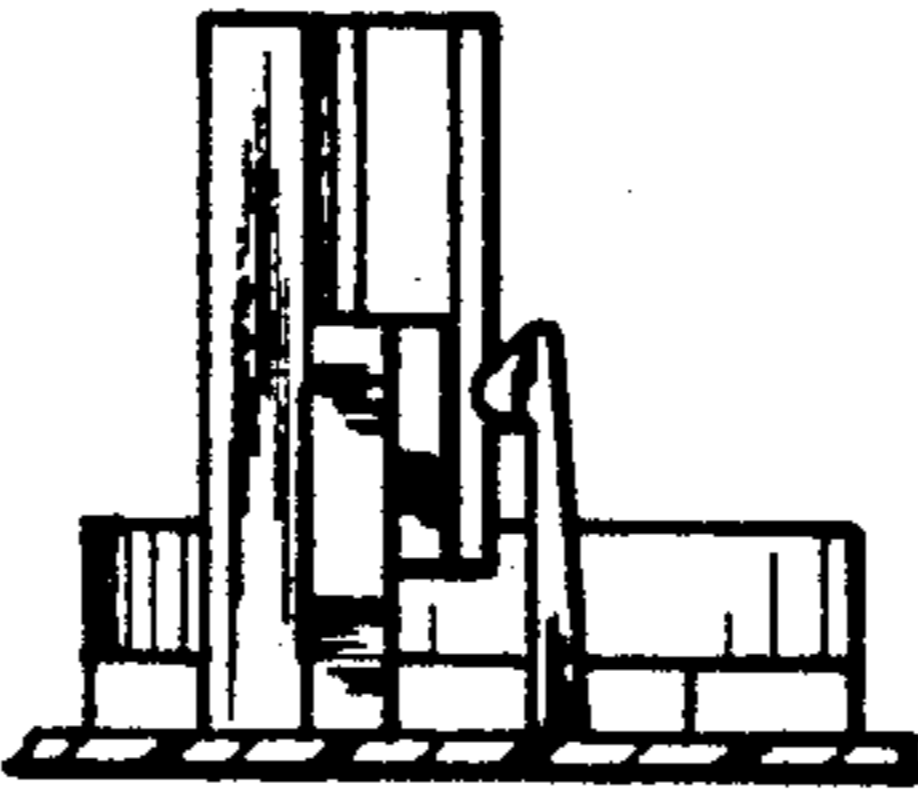


FIG. 6