



US00D333122S

United States Patent [19]

[11] Patent Number: **Des. 333,122**

Kamakura et al.

[45] Date of Patent: **** Feb. 9, 1993**

[54] **OPTICAL RECEIVER/TRANSMITTER MODULE**

[56] **References Cited**

U.S. PATENT DOCUMENTS

[75] Inventors: **Mitsutoshi Kamakura; Hisao Go; Osamu Akita; Kazuhiro Tanida**, all of Yokohama, Japan

2,005,939 4/1991 Arvanitakis et al. 358/53
4,597,631 7/1986 Flores 358/53

[73] Assignee: **Sumitomo Electric Industries, Ltd.**, Osaka, Japan

Primary Examiner—Wallace R. Burke
Assistant Examiner—J. Sincavage
Attorney, Agent, or Firm—Cushman, Darby & Cushman

[**] Term: **14 Years**

[57] CLAIM

The ornamental design for an optical receiver/transmitter module, as shown.

[21] Appl. No.: **593,619**

DESCRIPTION

[22] Filed: **Oct. 5, 1990**

FIG. 1 is a perspective view from the front, top and right side of an optical receiver/transmitter module showing my new design;

[30] **Foreign Application Priority Data**

Apr. 5, 1990 [JP] Japan 2-11582

FIG. 2 is a perspective view from the rear, top and left side thereof;

[52] U.S. Cl. **D13/123; D13/147**

FIG. 3 is a front elevational view thereof;

[58] Field of Search **D13/133, 146, 147, 165;**

FIG. 4 is a rear elevational view thereof;

359/147, 152, 170, 180, 181, 182, 195, 235, 236;

FIG. 5 is a right side elevational view thereof;

385/53, 75

FIG. 6 is a top plan view thereof; and,

FIG. 7 is a bottom plan view thereof.

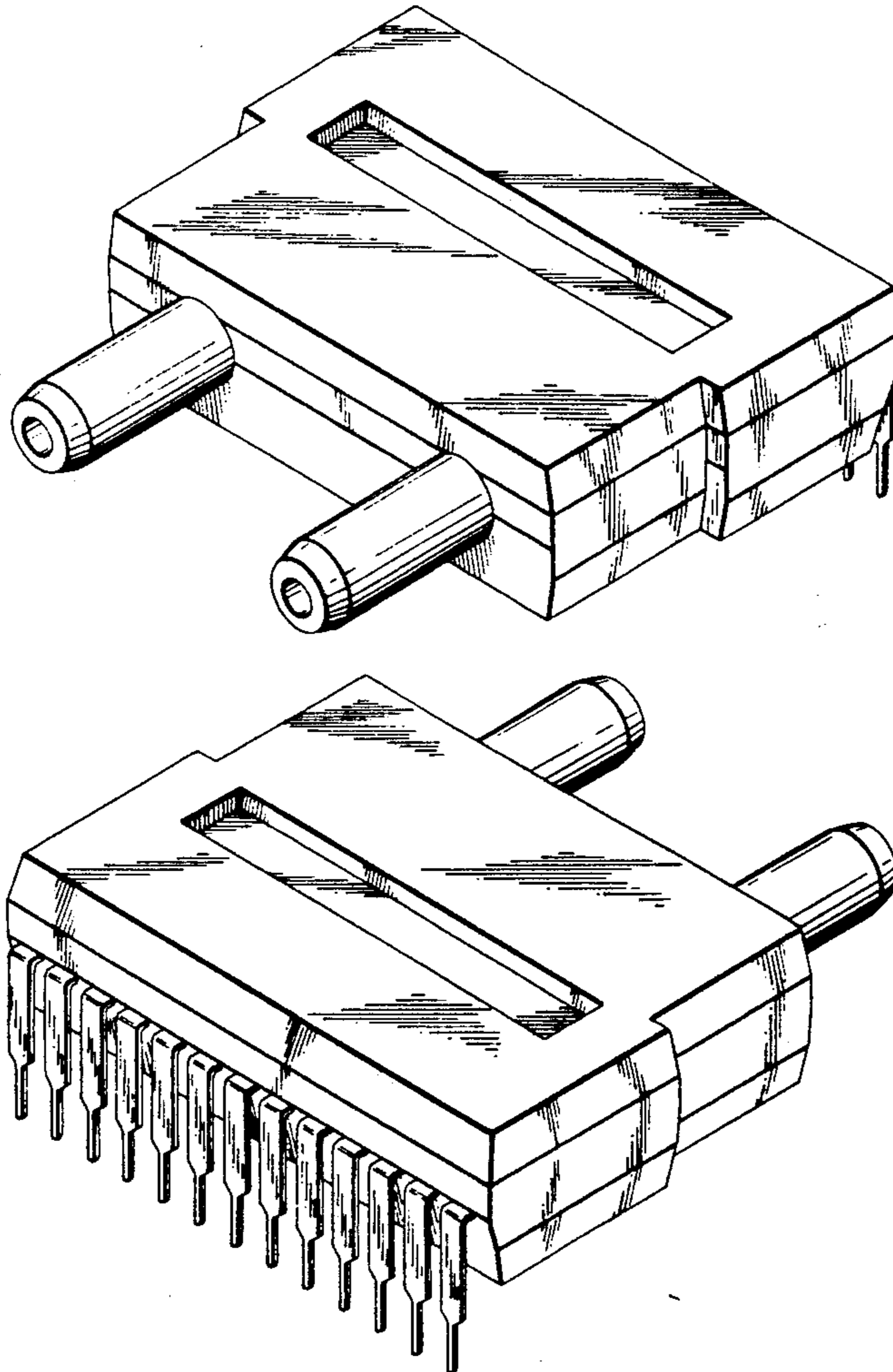


FIG. 1

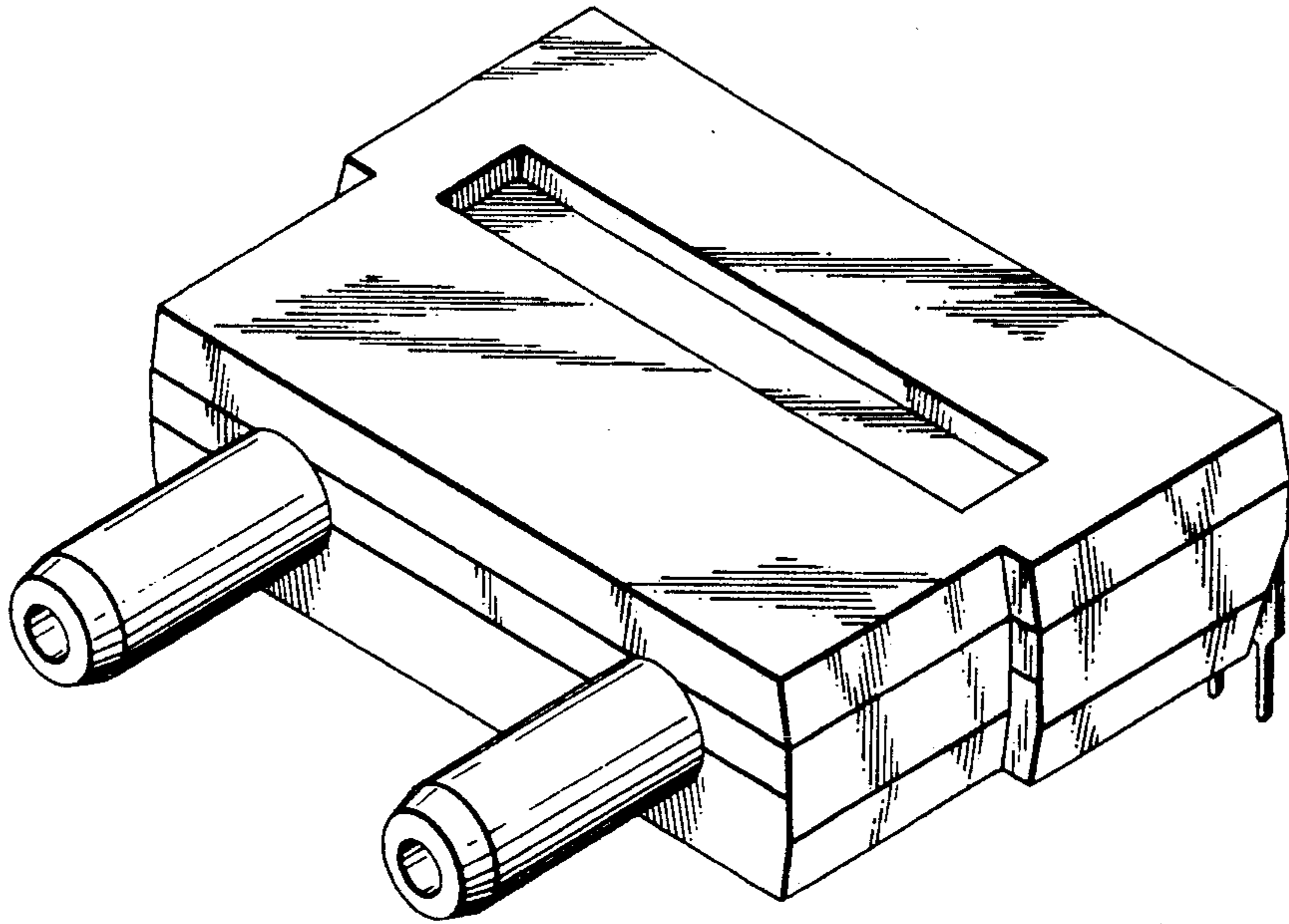


FIG. 2

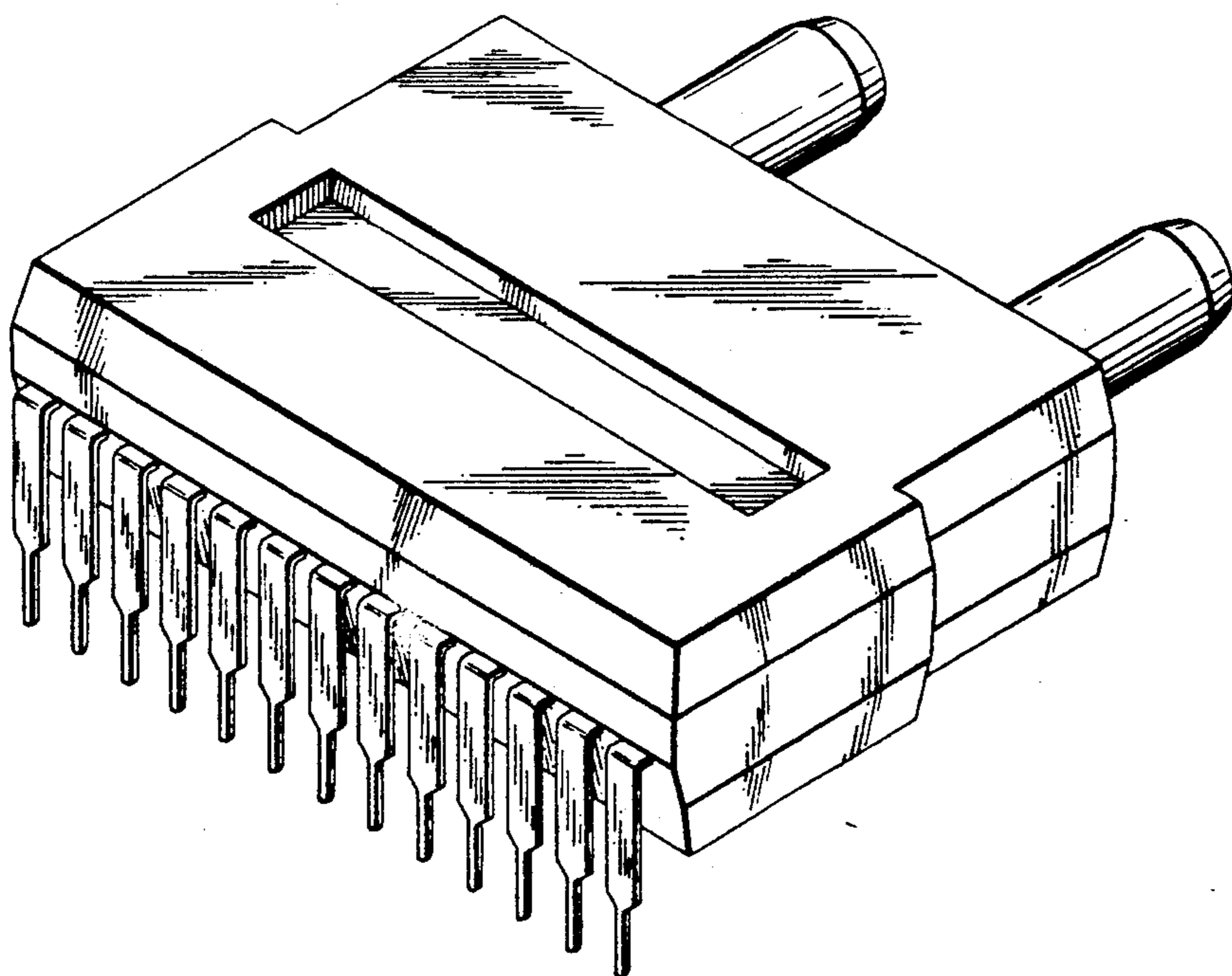


FIG. 3

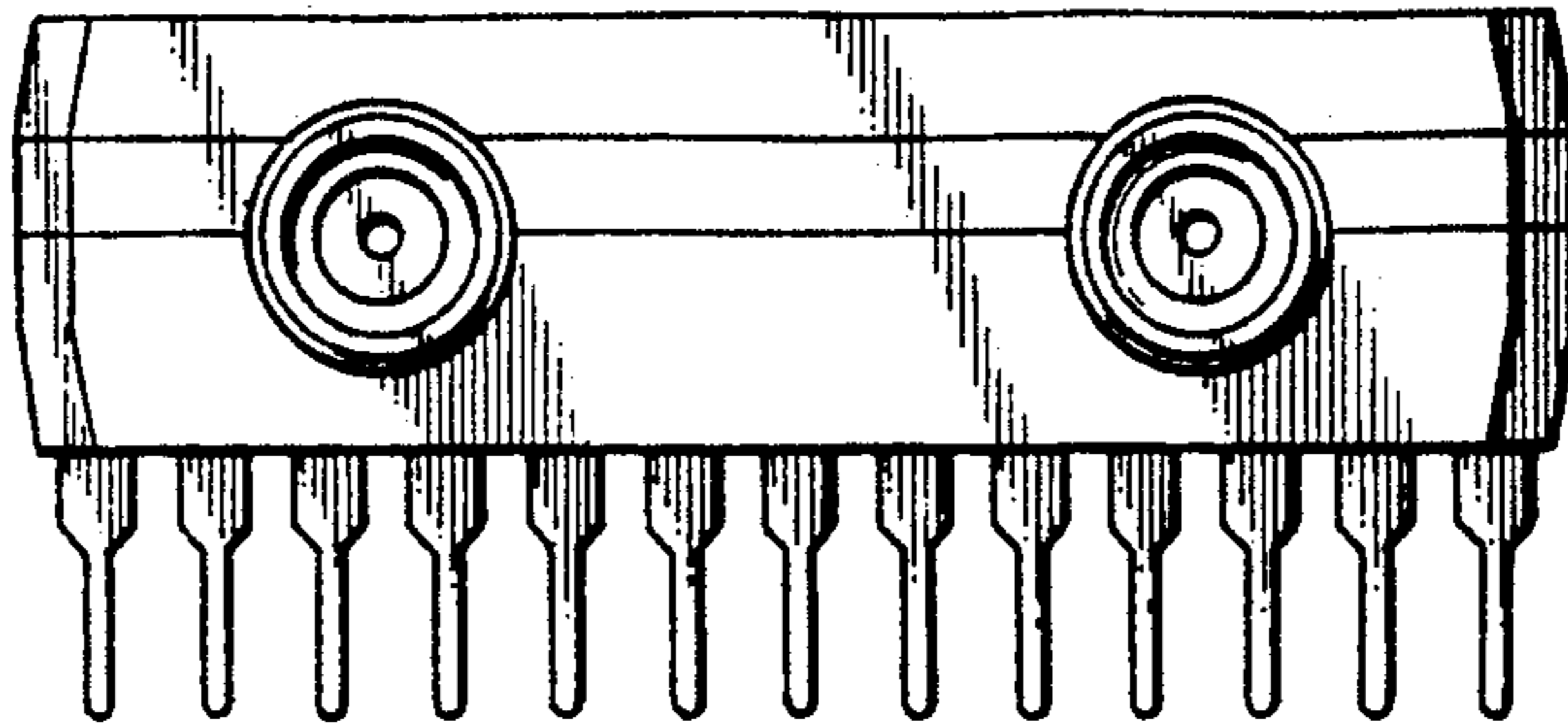


FIG. 4

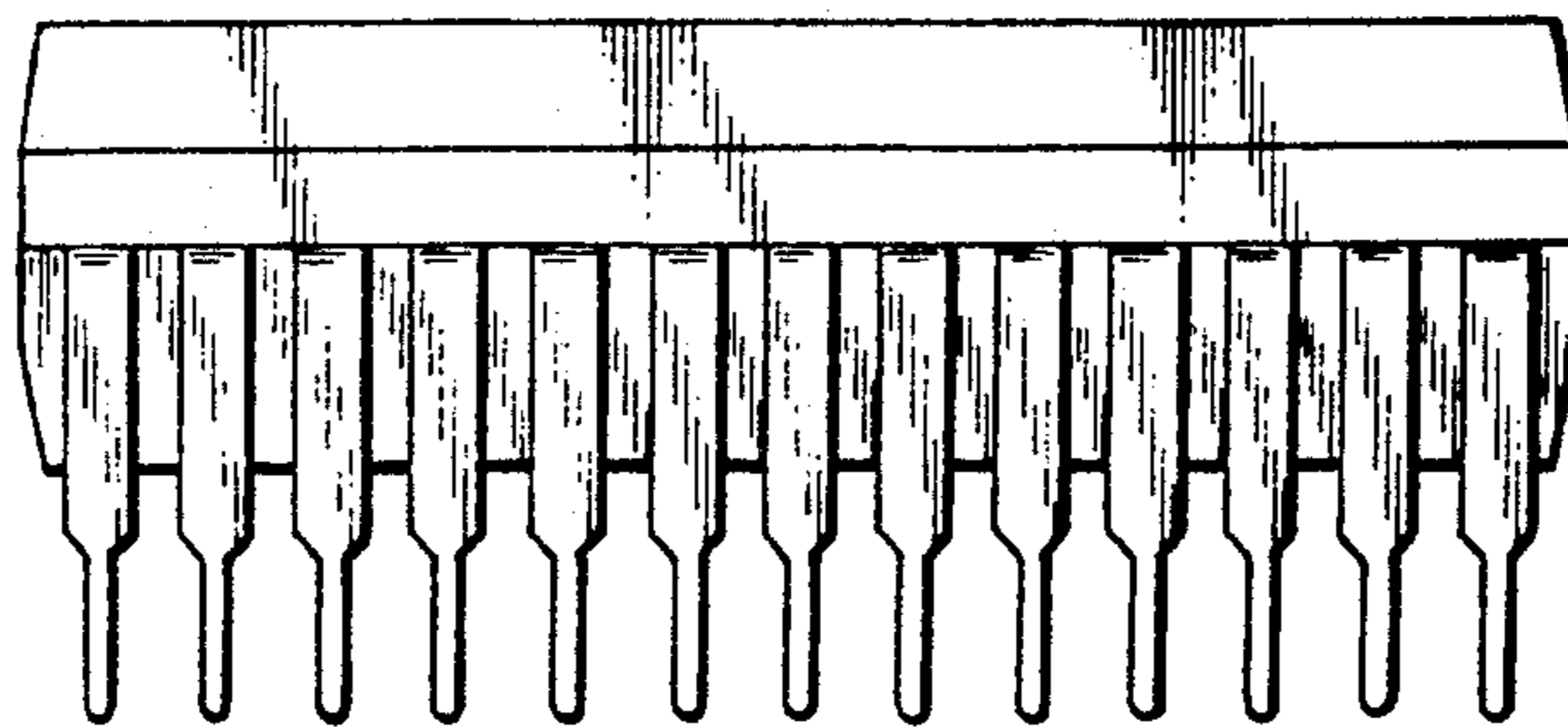


FIG. 5

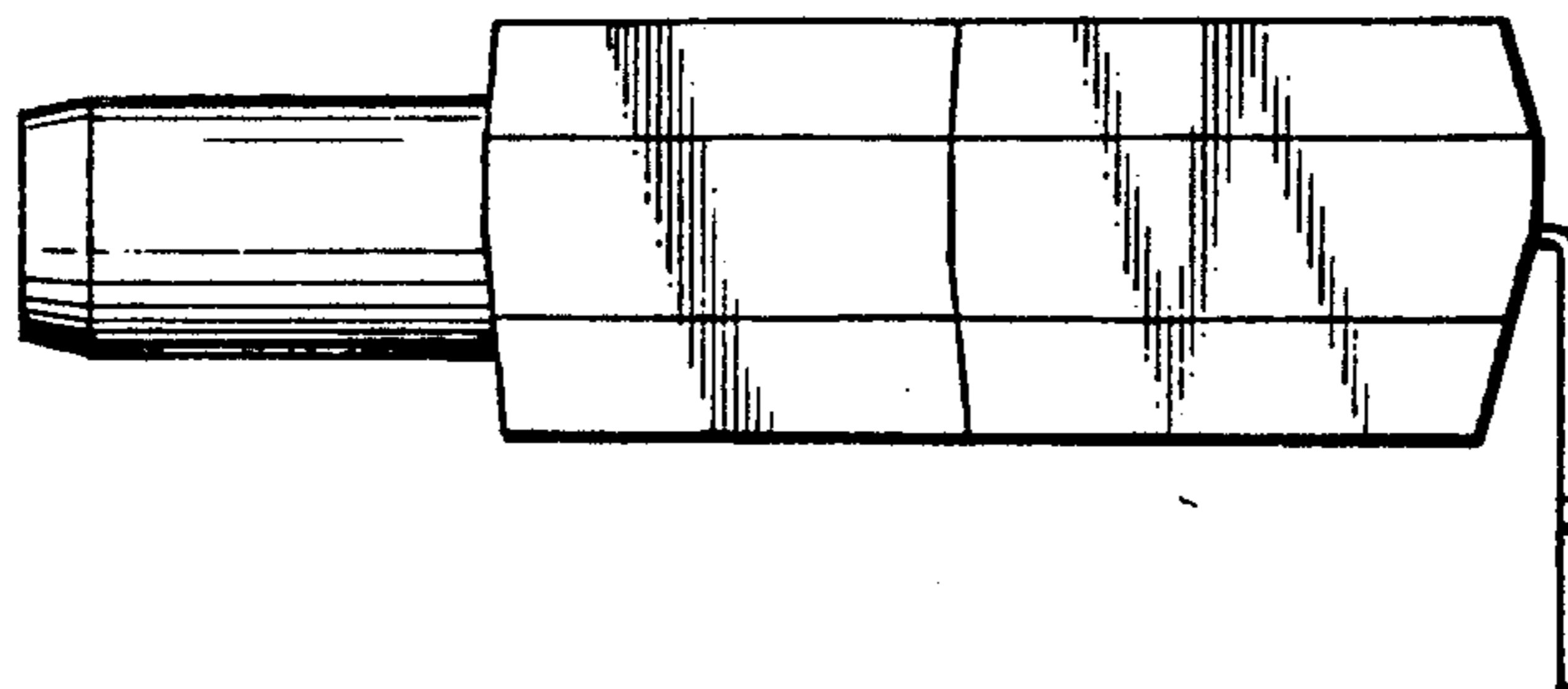


FIG. 6

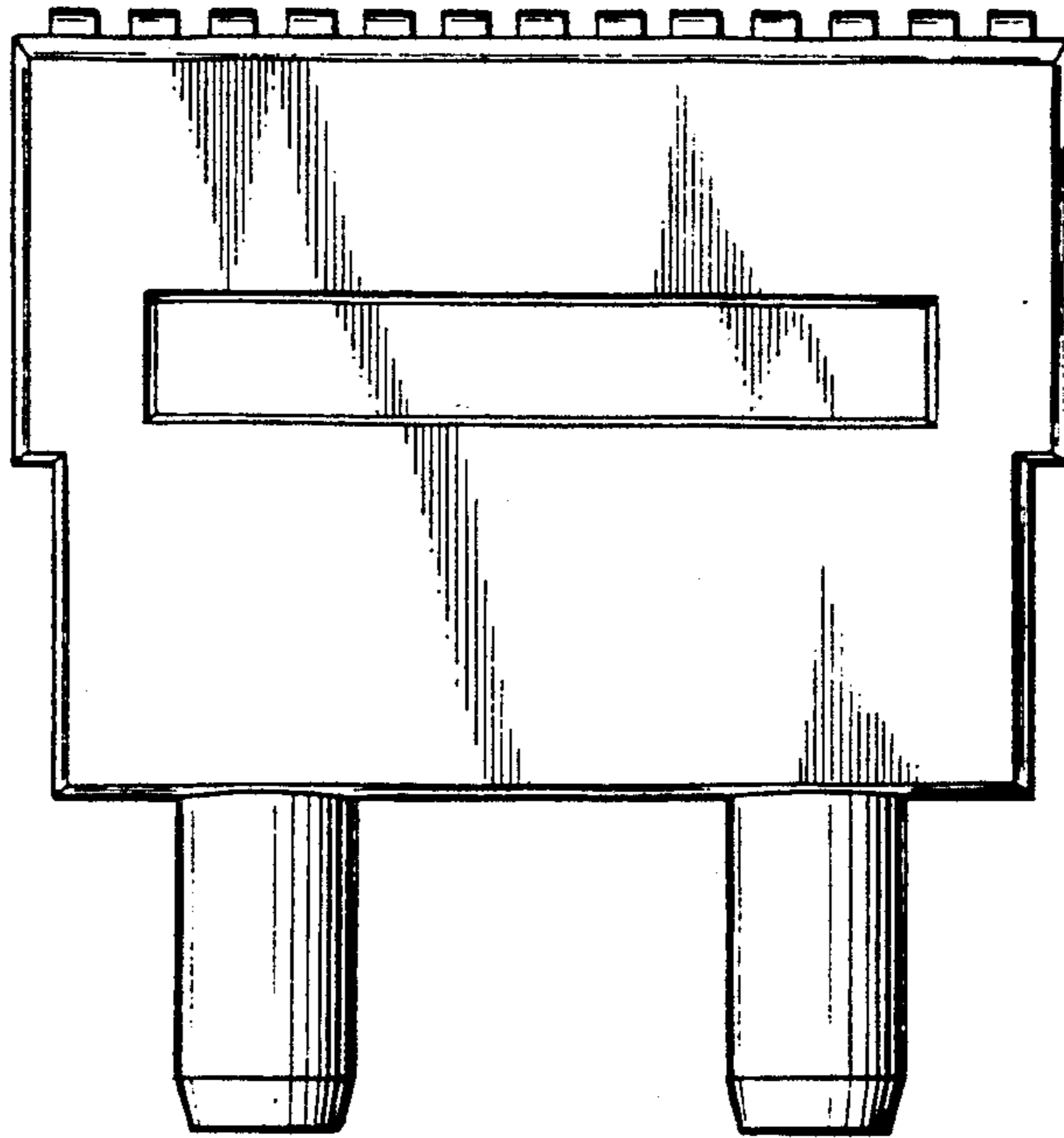


FIG. 7

