



US00D333118S

United States Patent [19]

[11] Patent Number: **Des. 333,118**

Stauffer

[45] Date of Patent: **** Feb. 9, 1993**

[54] **EXTERIOR BODY PANEL KIT FOR ATTACHMENT TO A TRUCK BODY**

[76] Inventor: **George J. Stauffer**, 10967 Division St., Blue Mounds, Wis. 53517

[**] Term: **14 Years**

[21] Appl. No.: **601,863**

[22] Filed: **Oct. 23, 1990**

[52] U.S. Cl. **D12/190**

[58] Field of Search **D12/190, 169, 196; 296/192-197, 180.1**

[56] **References Cited**

U.S. PATENT DOCUMENTS

- D. 291,075 7/1987 Kitahashi D12/169
- D. 293,311 12/1987 Strosek D12/169

OTHER PUBLICATIONS

- J. C. Whitney Catalog No. 515J, p. 48, Urethane Styling Accessories for Nissan Hardbody Pickups, top right side of page.
- J. C. Whitney Catalog No. 515J, p. 67, Custom-Fit

Aerodynamic Styling Accessories for Pickup Trucks, top right & bottom left side of page.

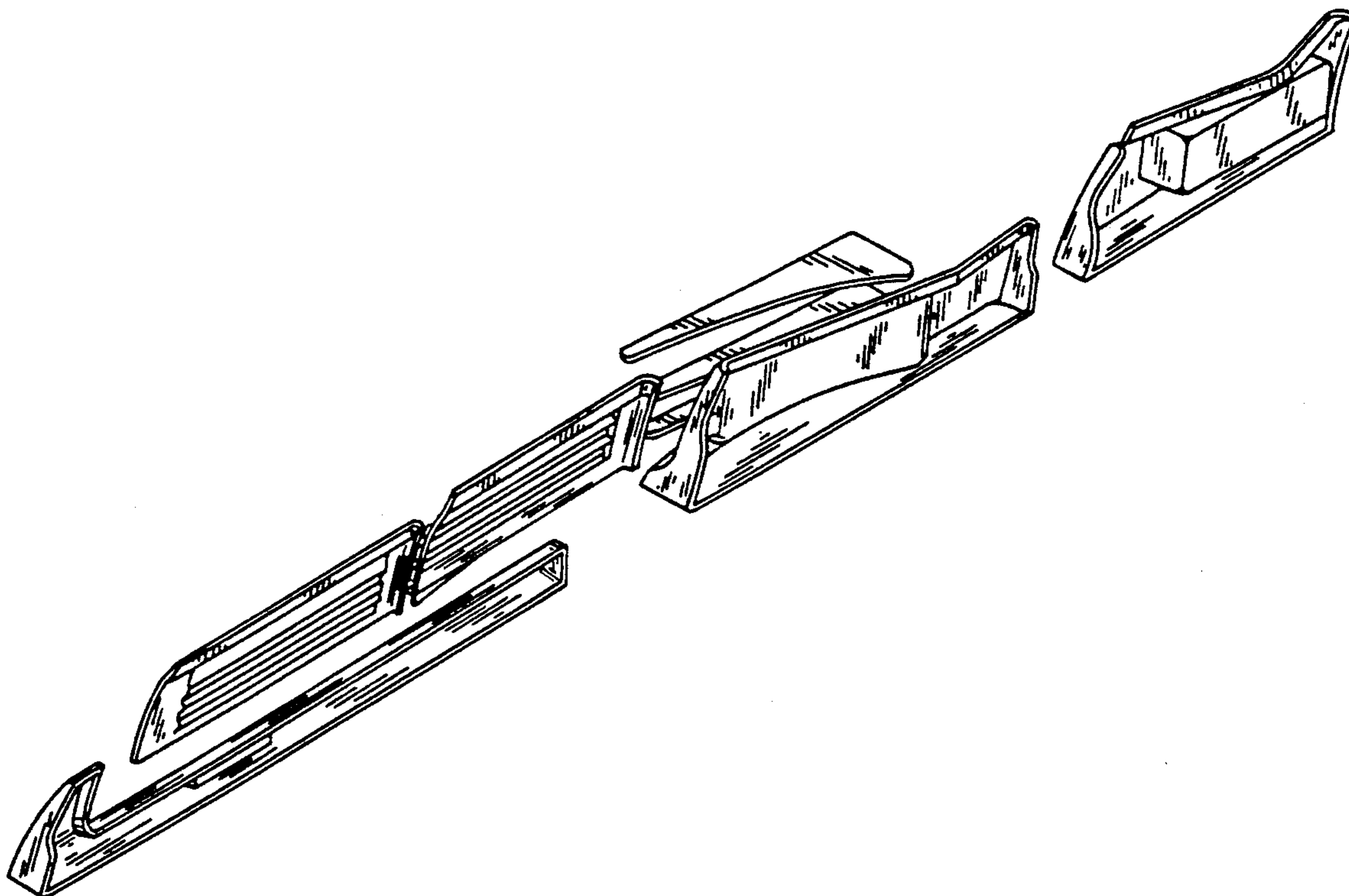
Primary Examiner—James M. Gandy
Attorney, Agent, or Firm—Whyte & Hirschboeck

[57] **CLAIM**

The ornamental design for an exterior body panel kit for attachment to a truck body, as shown and described.

DESCRIPTION

FIG. 1 is a front, top and left side perspective view of an exterior body panel kit for attachment to a truck body showing my new design, the right side of the design being a mirror image of the left side shown in FIG. 1; FIG. 2 is a rear, top and left side perspective view of the left rear fender extension thereof shown separately for clarity of illustration; FIG. 3 is a top, rear and right side perspective view of the front air dam thereof shown separately for clarity of illustration; FIG. 4 is a top plan view thereof; and, FIG. 5 is a bottom plan view thereof.



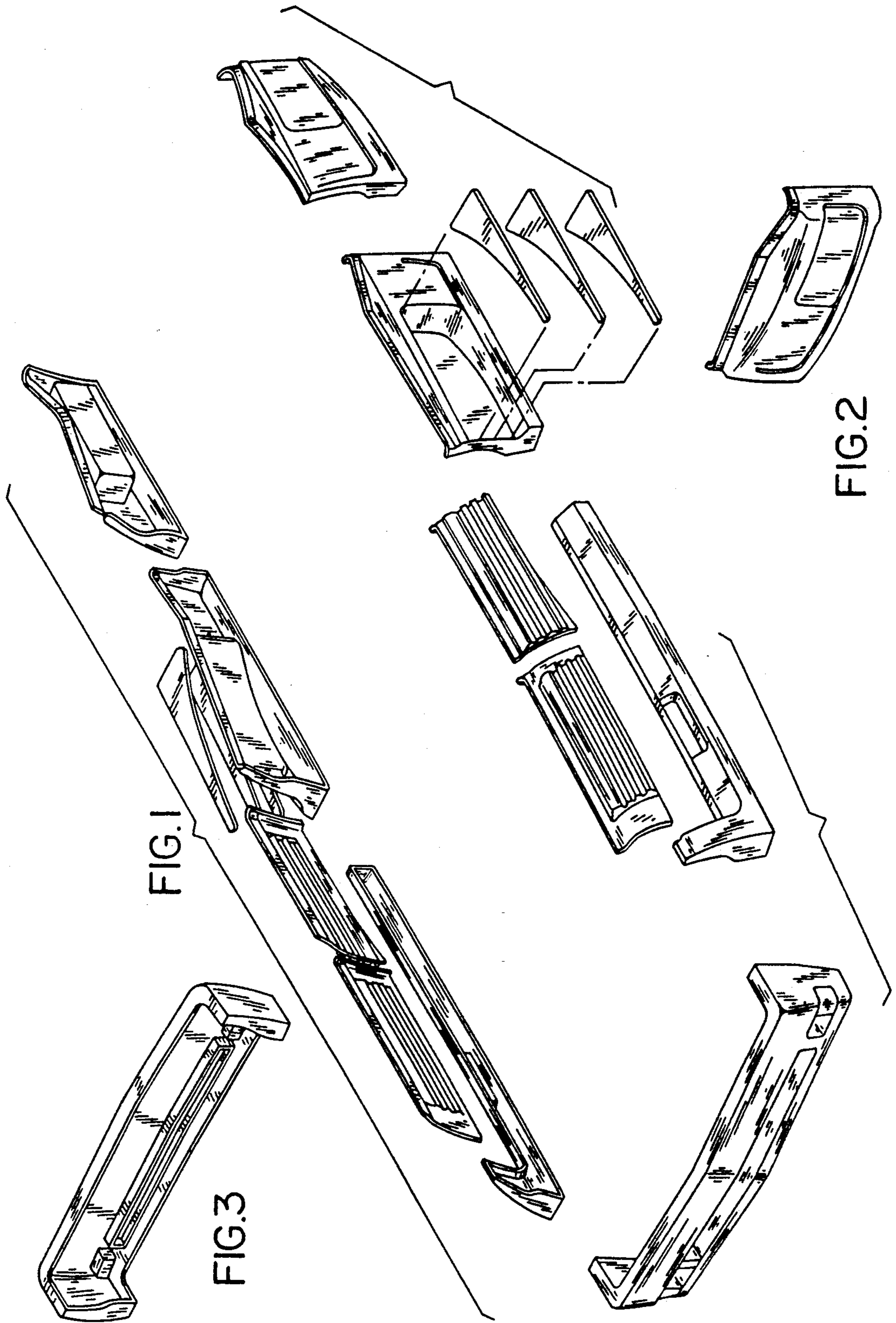


FIG. 1

FIG. 2

FIG. 3

FIG.4

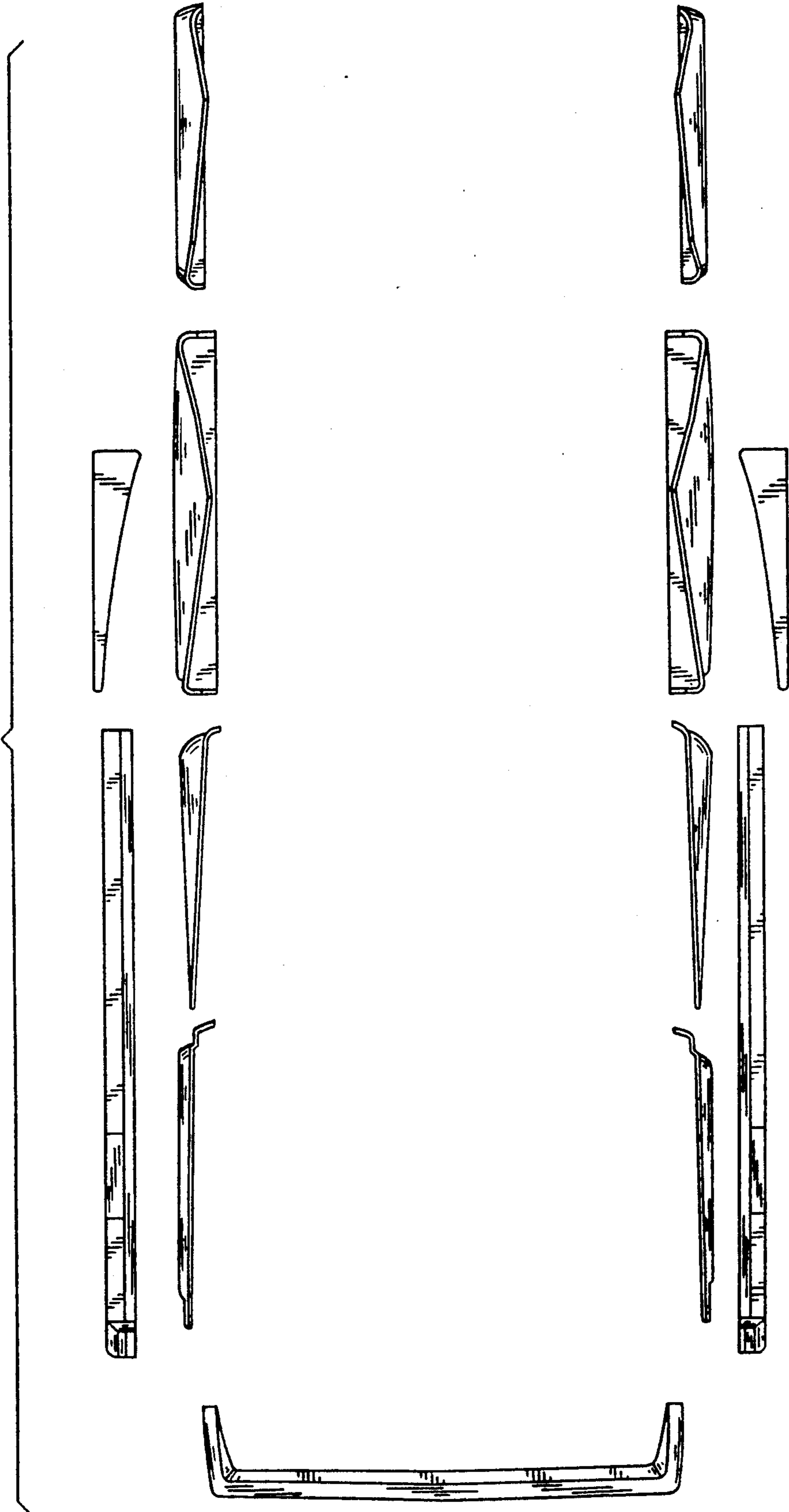


FIG. 5

