



US00D333117S

United States Patent [19]

[11] Patent Number: **Des. 333,117**

Hamilton

[45] Date of Patent: **** Feb. 9, 1993**

[54] **INTERIOR CARGO COVER FOR MOTOR VEHICLES**

[56] **References Cited**

U.S. PATENT DOCUMENTS

D. 298,817 12/1988 Hamilton D12/155

[75] Inventor: **Thomas F. Hamilton, 1634 Ixias Ct., San Jose, Calif. 95124**

Primary Examiner—James M. Gandy

[73] Assignee: **Thomas F. Hamilton, San Jose, Calif.**

[57] **CLAIM**

The ornamental design for an interior cargo cover for motor vehicles, as shown and described.

[**] Term: **14 Years**

DESCRIPTION

[21] Appl. No.: **728,939**

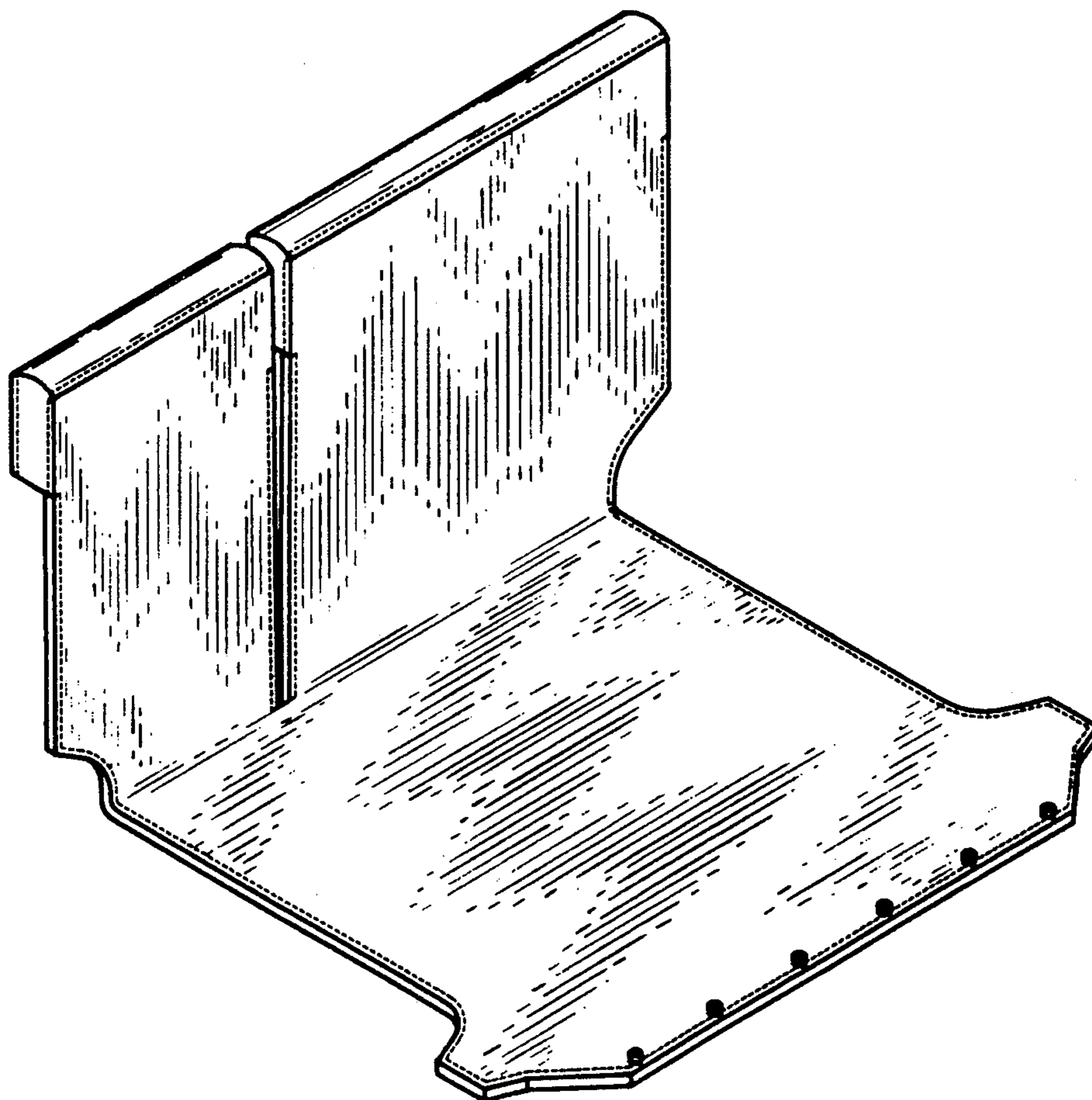
FIG. 1 is a top plan view of an interior cargo cover for motor vehicles showing my new design; FIG. 2 is a bottom plan view thereof; FIG. 3 is a side elevational view thereof, the opposite side being a mirror image of that shown; FIG. 4 is a front elevational view thereof; FIG. 5 is a rear elevational view thereof; and, FIG. 6 is a perspective view thereof.

[22] Filed: **Jun. 11, 1991**

[52] U.S. Cl. **D12/155**

[58] Field of Search **D12/155; 296/39.1, 39.2, 296/39.3; 280/770**

The broken lines shown in the drawing are representative of stitching.



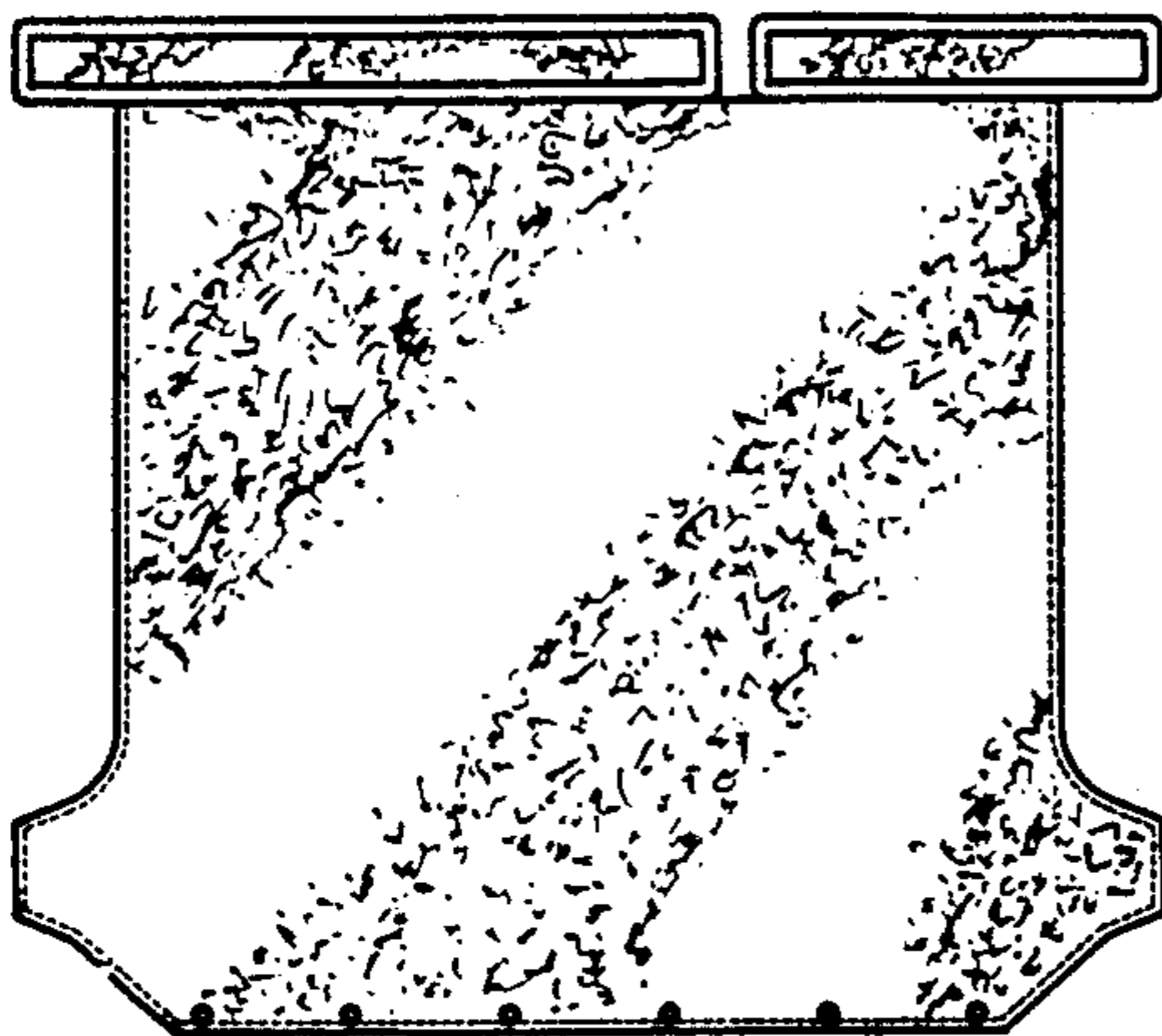


FIG. 2

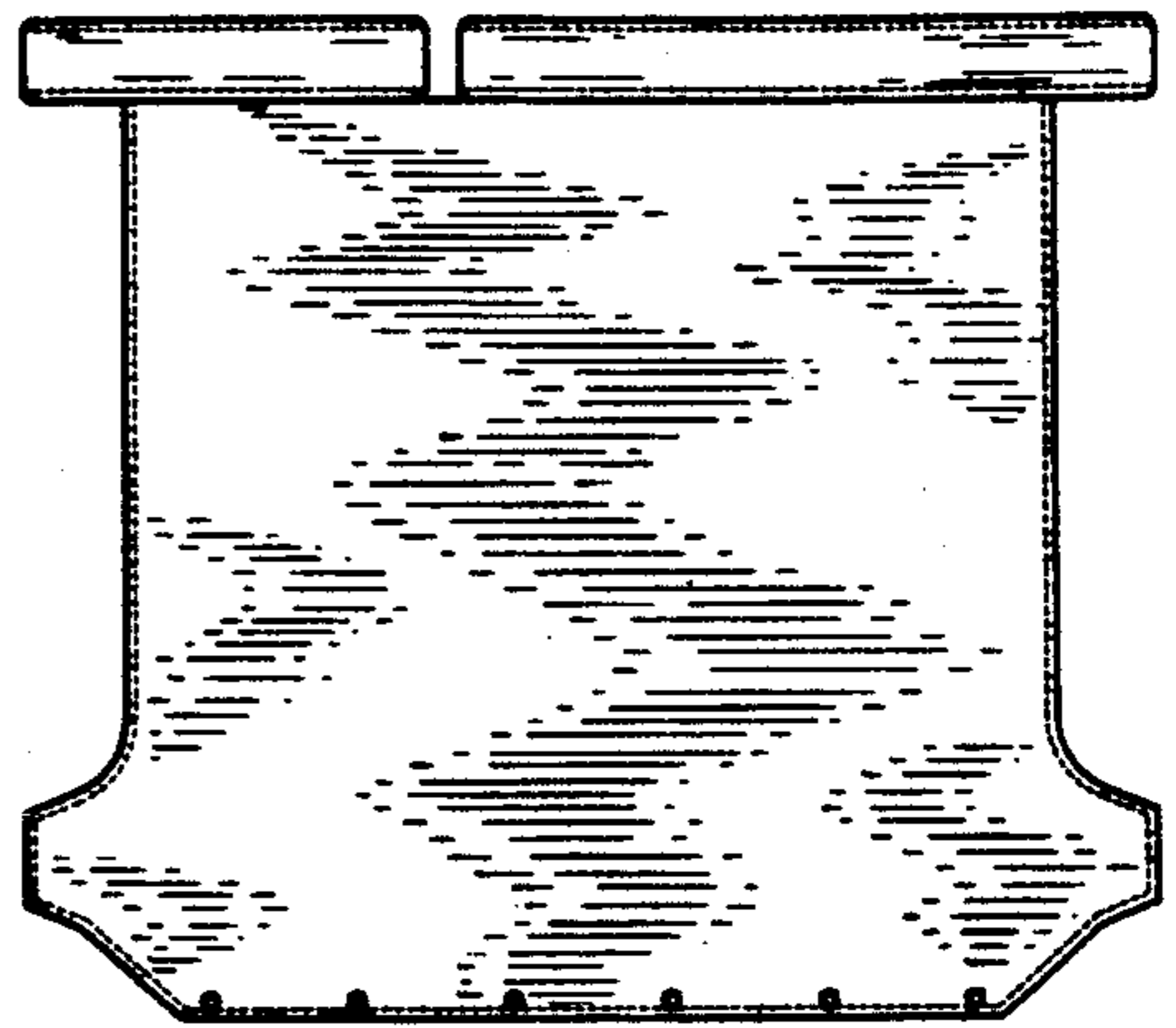


FIG. 1

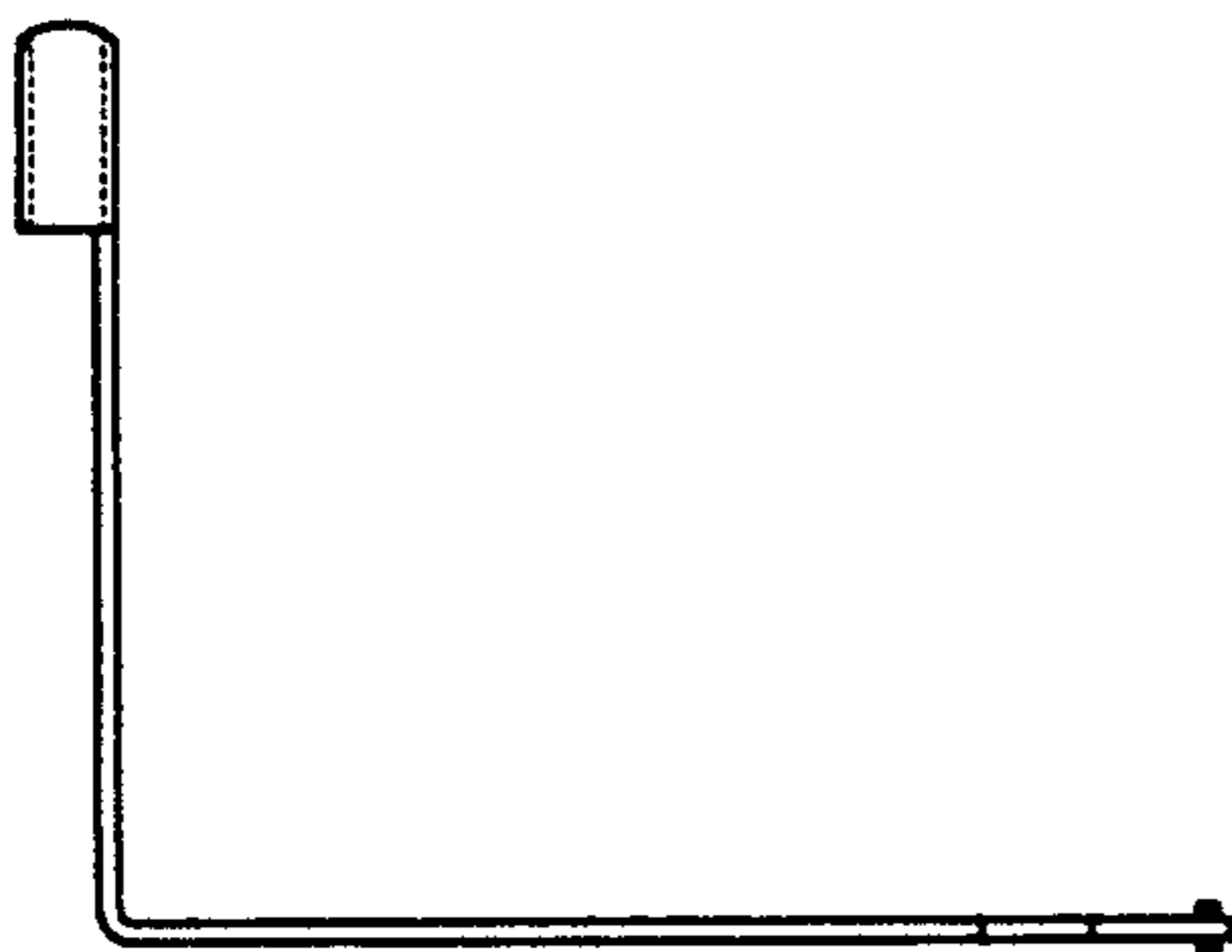


FIG. 3

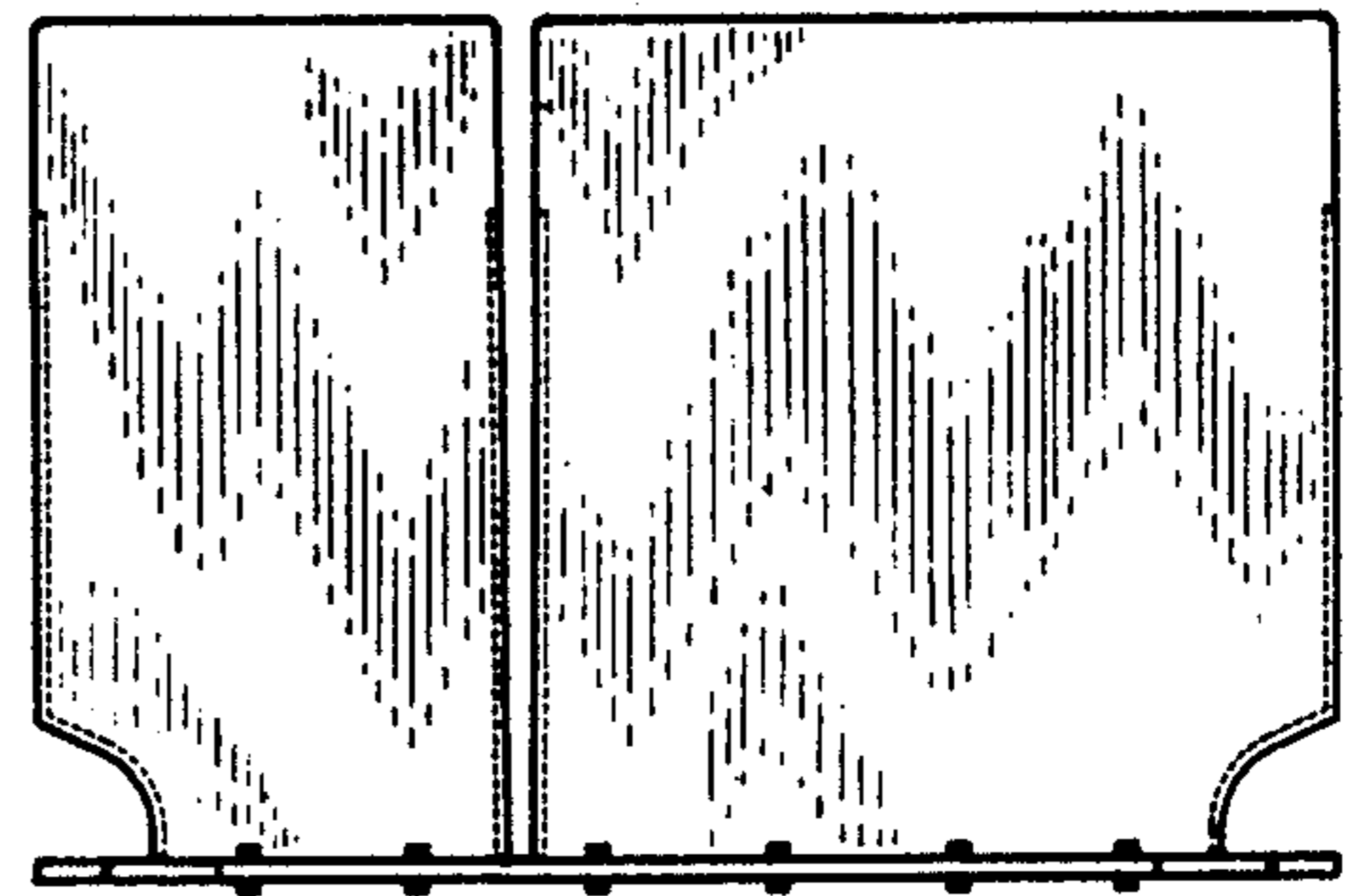


FIG. 4

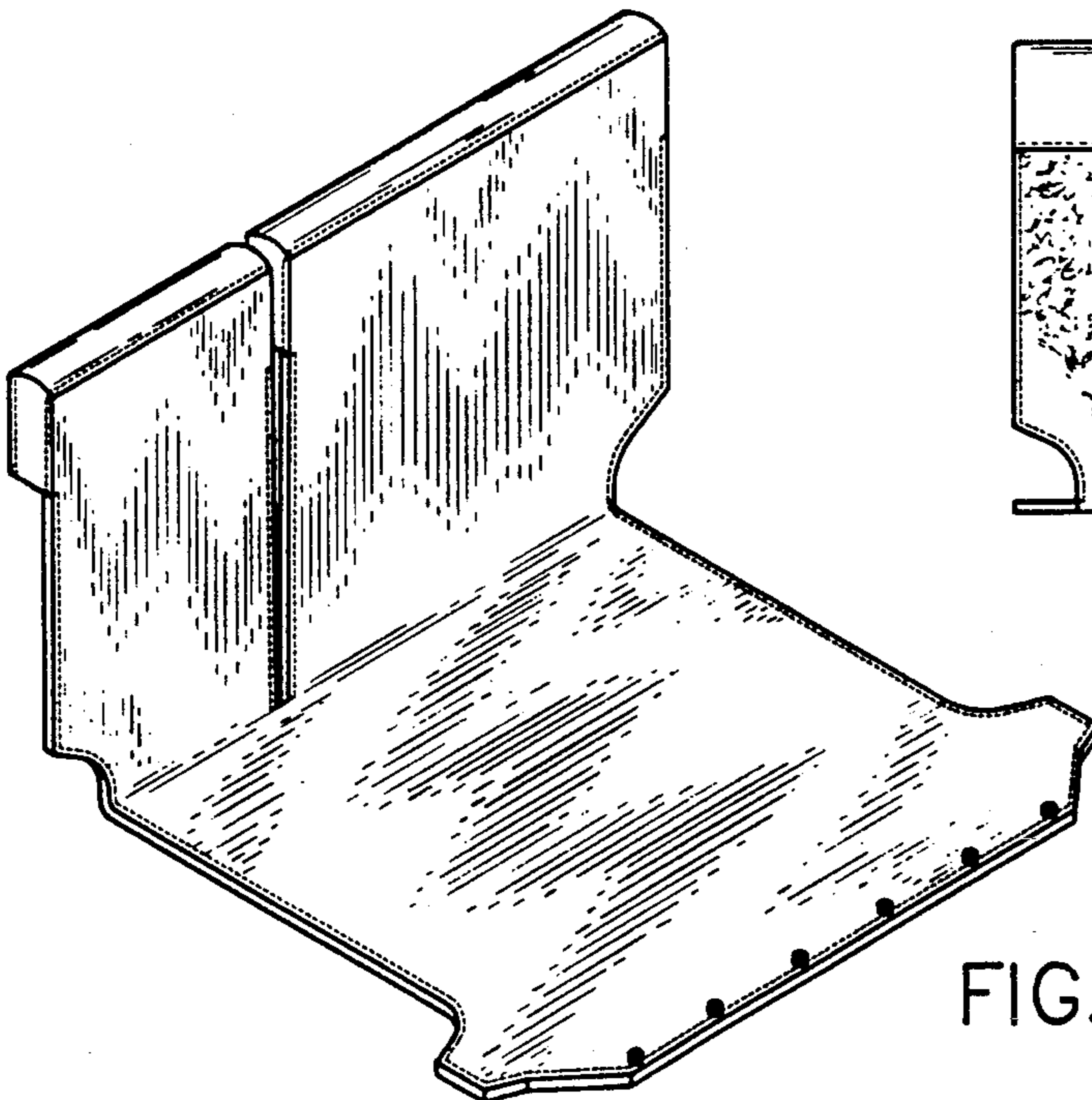


FIG. 6



FIG. 5