



US00D333104S

United States Patent [19]
Hollander

[11] **Patent Number: Des. 333,104**
[45] **Date of Patent: ** Feb. 9, 1993**

[54] **MAP DISTANCE RECORDER**
[75] **Inventor: Alan R. Hollander, Needham, Mass.**
[73] **Assignee: Rhonda G. Hollander, Needham, Mass.**
[**] **Term: 14 Years**
[21] **Appl. No.: 639,940**
[22] **Filed: Jan. 11, 1991**
[52] **U.S. Cl. D10/70; D10/74**
[58] **Field of Search D10/70, 74; 33/1 M, 33/18.1, 20.1, 20.2, 20.3, 20.4, 32.2, 32.3, 772, 773, 779, 780**

5,115,569 5/1992 Kubo 33/773 X

FOREIGN PATENT DOCUMENTS

2751620 5/1978 Fed. Rep. of Germany 33/780

Primary Examiner—Alan P. Douglas
Assistant Examiner—Antoine D. Davis
Attorney, Agent, or Firm—Wolf, Greenfield & Sacks

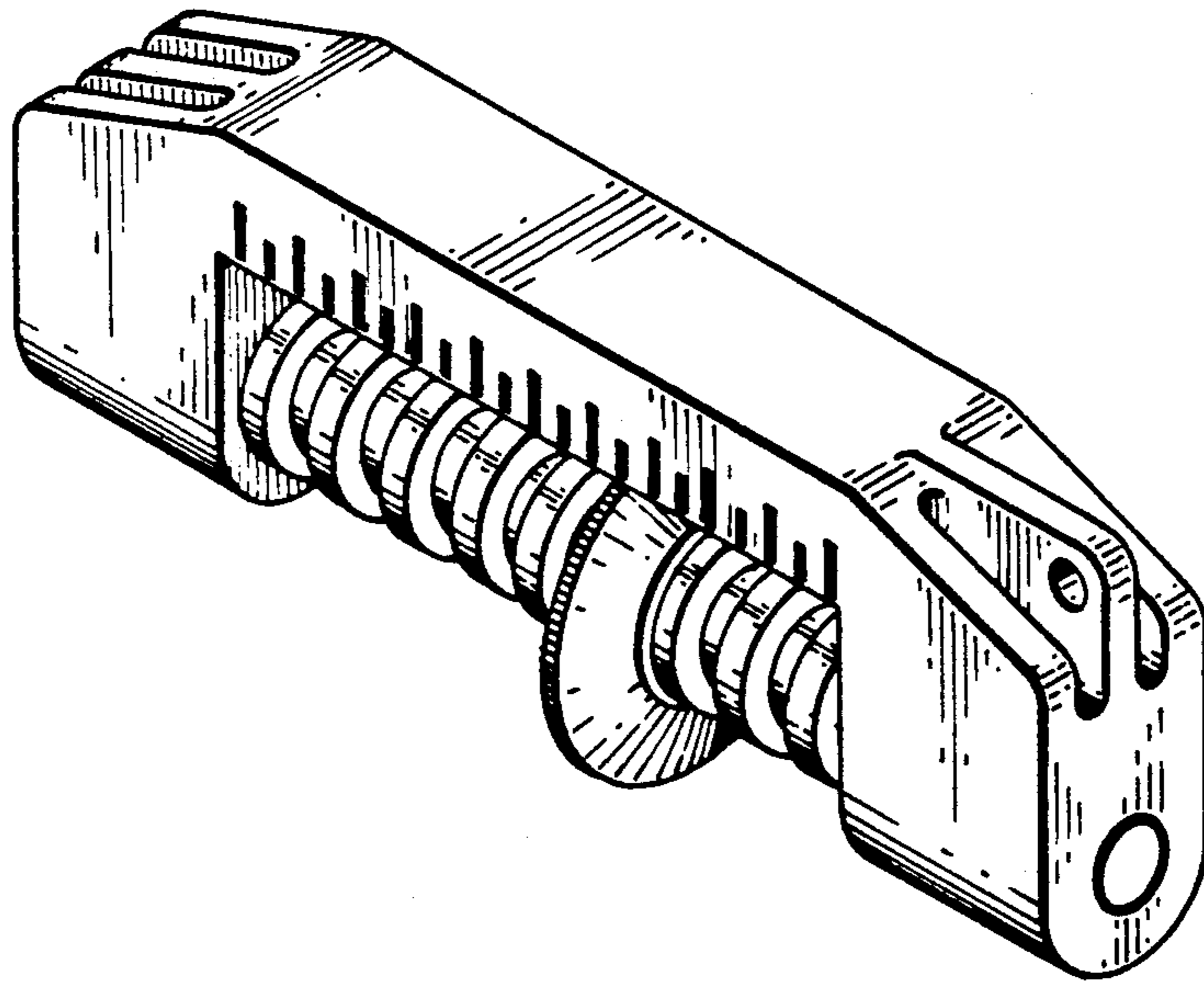
[57] **CLAIM**

The ornamental design for a map distance recorder, as shown and described.

DESCRIPTION

FIG. 1 is a top, front and right side perspective view of a map distance recorder showing my new design; FIG. 2 is a front elevational view; FIG. 3 is a bottom plan view; FIG. 4 is a top plan view; FIG. 5 is a right side elevational view; and, FIG. 6 is a left side elevational view thereof.

[56] **References Cited**
U.S. PATENT DOCUMENTS
840,331 1/1907 Hölzermann 33/32.2
5,067,249 11/1991 Terrigno 33/773



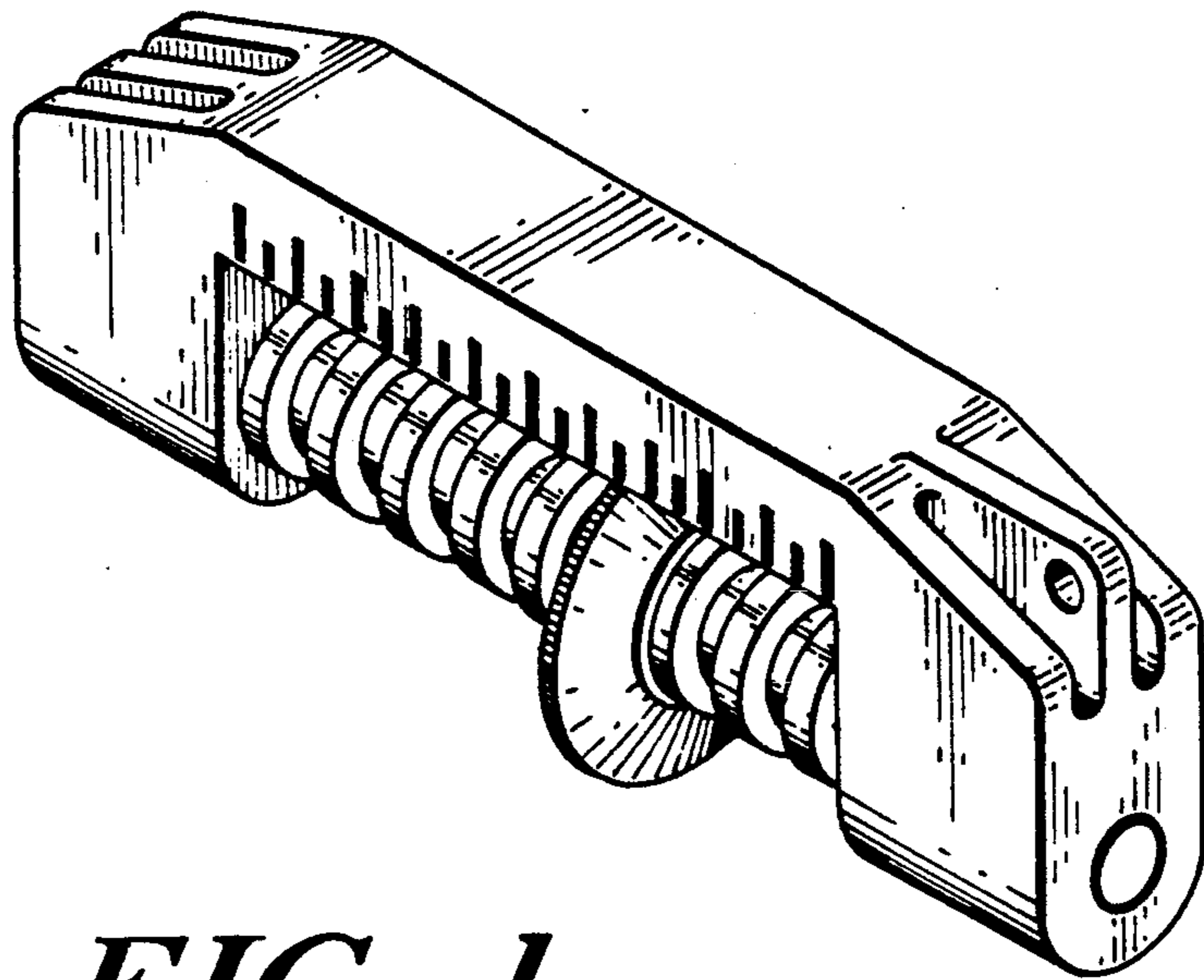


FIG. 1

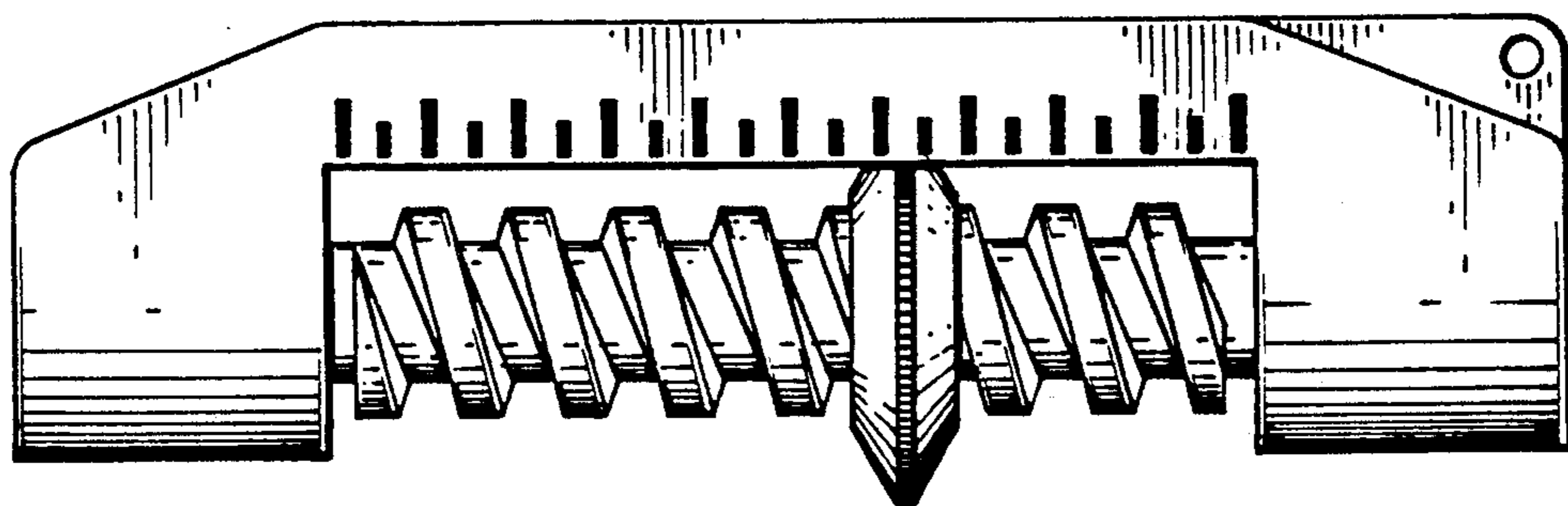


FIG. 2

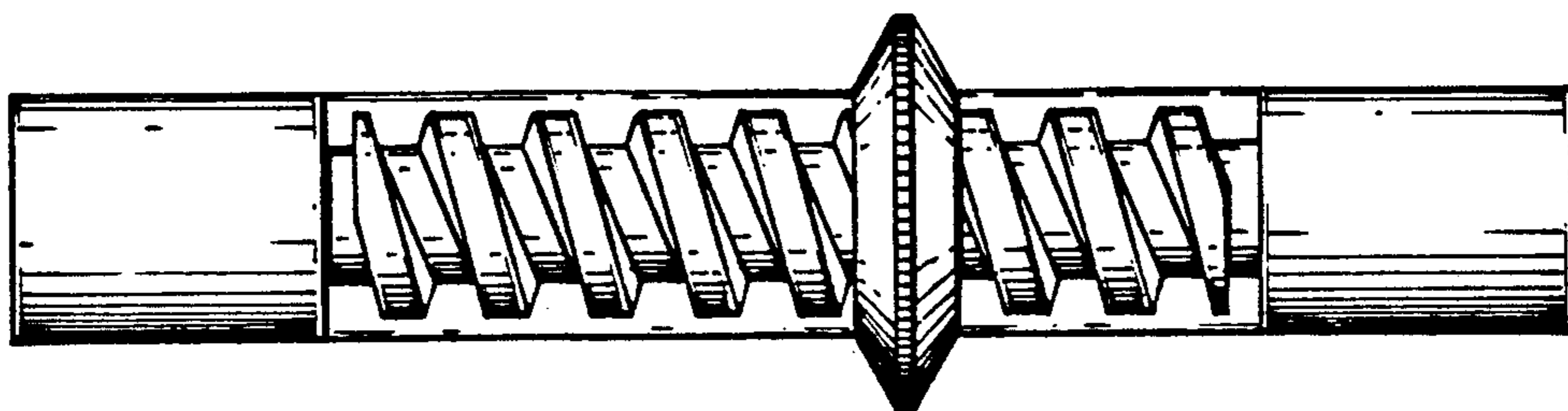


FIG. 3

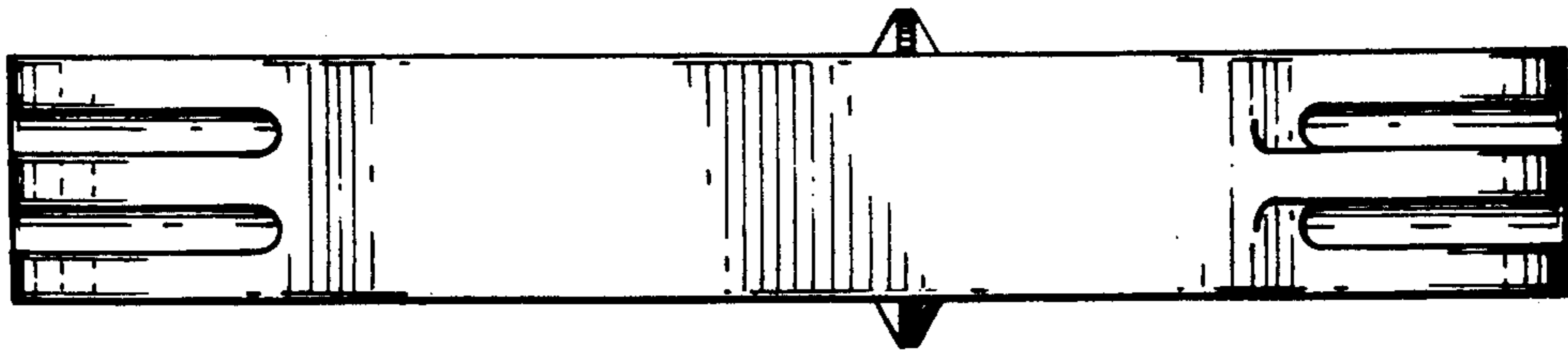


FIG. 4

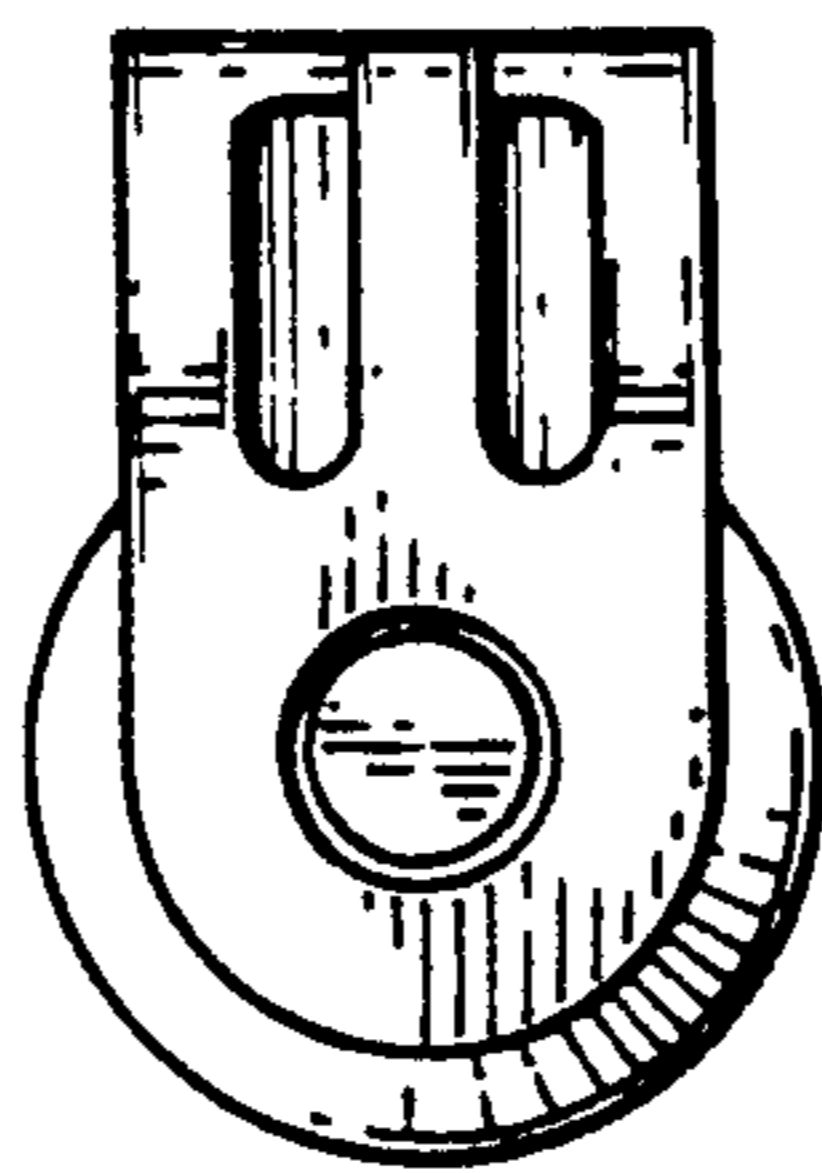


FIG. 5

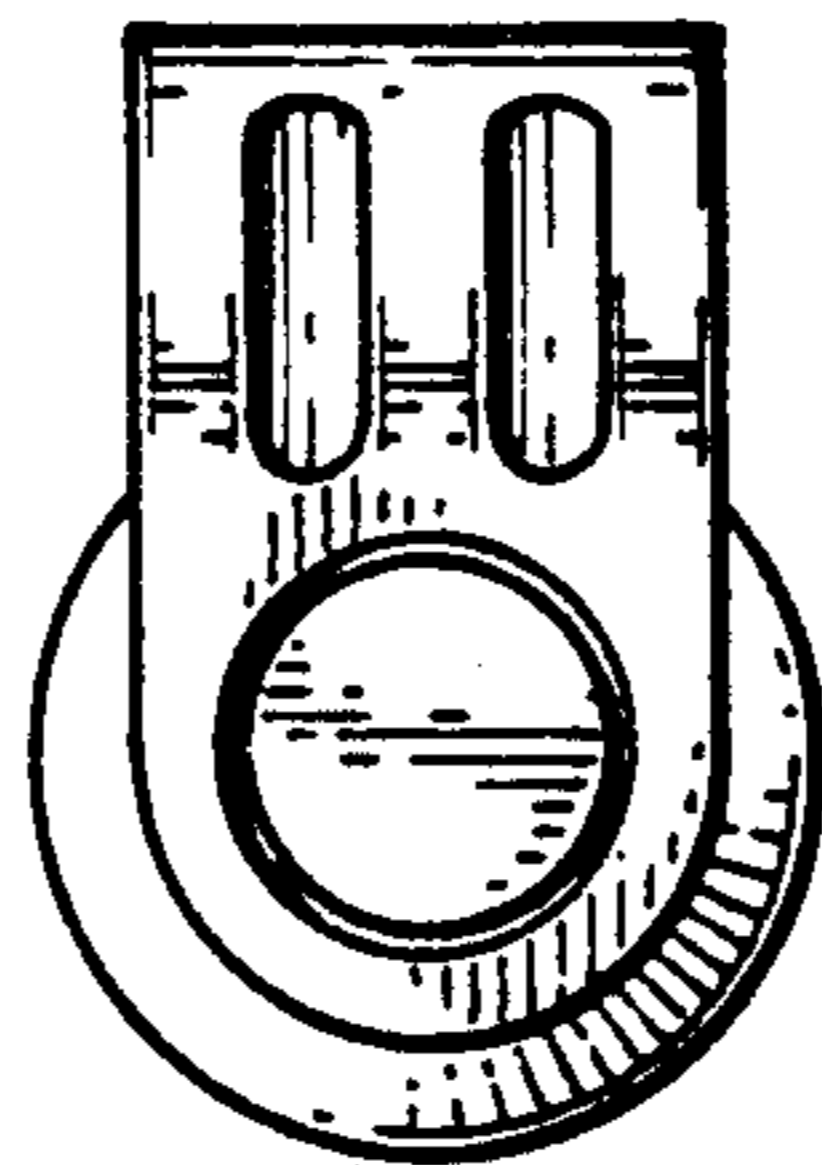


FIG. 6