



US00D333098S

United States Patent [19]

[11] Patent Number: **Des. 333,098**

Hestehave et al.

[45] Date of Patent: **** Feb. 9, 1993**

[54] BOTTLE

D. 303,497 9/1989 Larson D9/378
D. 312,398 11/1990 Neto D9/411

[75] Inventors: **Borge Hestehave, Alta Loma; Kjeld Hestehave, Upland, both of Calif.**

Primary Examiner—Bernard Ansher
Assistant Examiner—Lucy Lieberman
Attorney, Agent, or Firm—Sixbey, Friedman, Leedom & Ferguson

[73] Assignee: **Bomatic, Inc., Ontario, Calif.**

[**] Term: **14 Years**

[57] **CLAIM**

[21] Appl. No.: **467,574**

The ornamental design for a bottle, as shown and described.

[22] Filed: **Jan. 19, 1990**

[52] U.S. Cl. **D9/531; D9/537; D9/557**

DESCRIPTION

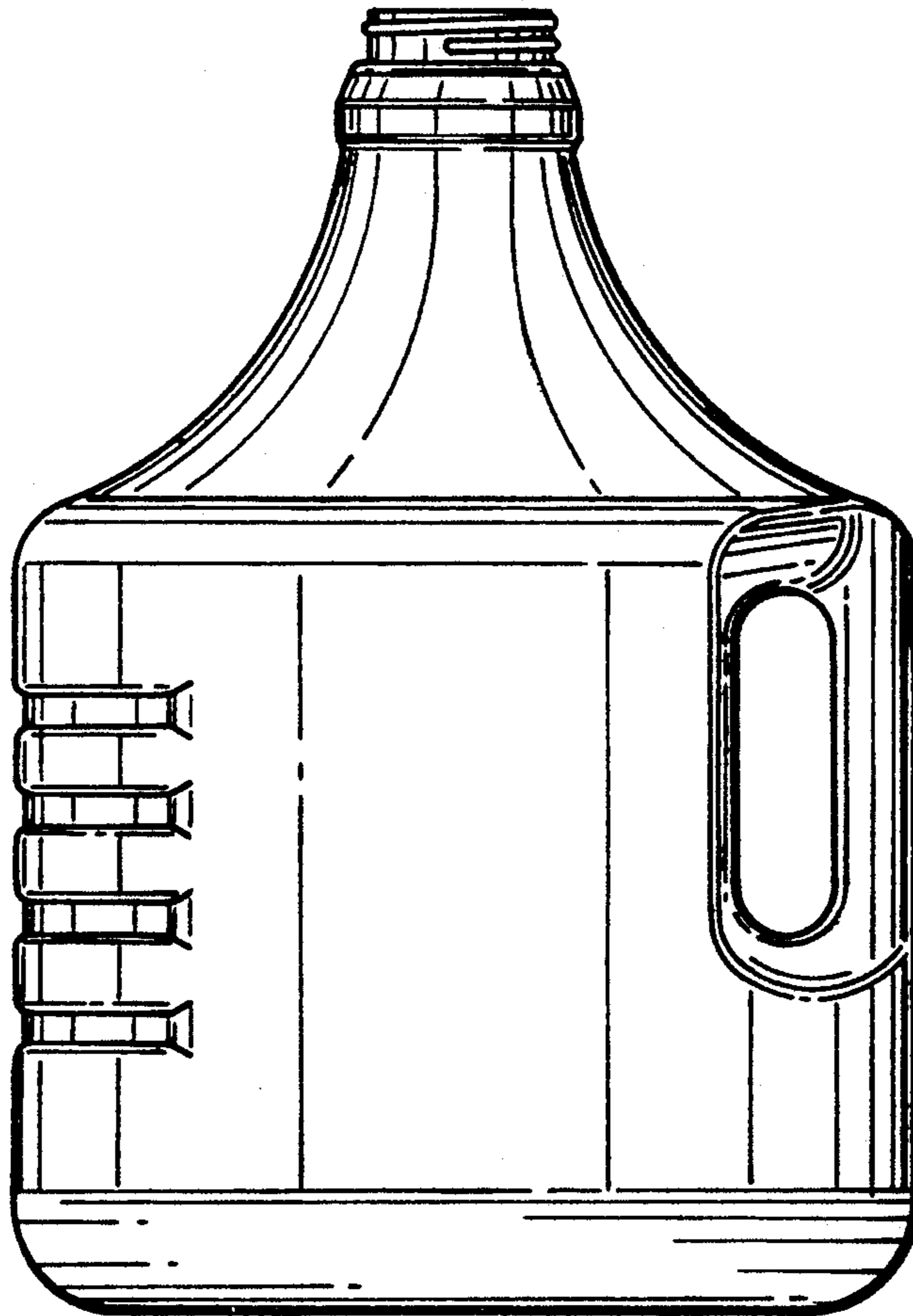
[58] Field of Search **D9/378, 396, 397, 411, D9/376, 382, 383; 215/1 R, 1 C, 100 A**

FIG. 1 is a perspective view of a bottle showing our new design;
FIG. 2 is a bottom plan view thereof;
FIG. 3 is a side elevation, the opposite side being a mirror image thereof;
FIG. 4 is a rear elevation thereof;
FIG. 5 is a front elevation thereof; and,
FIG. 6 is a top view thereof.

[56] **References Cited**

U.S. PATENT DOCUMENTS

D. 272,521 2/1984 Glenn D9/411 X
D. 288,531 3/1987 Tarasevich et al. D9/376



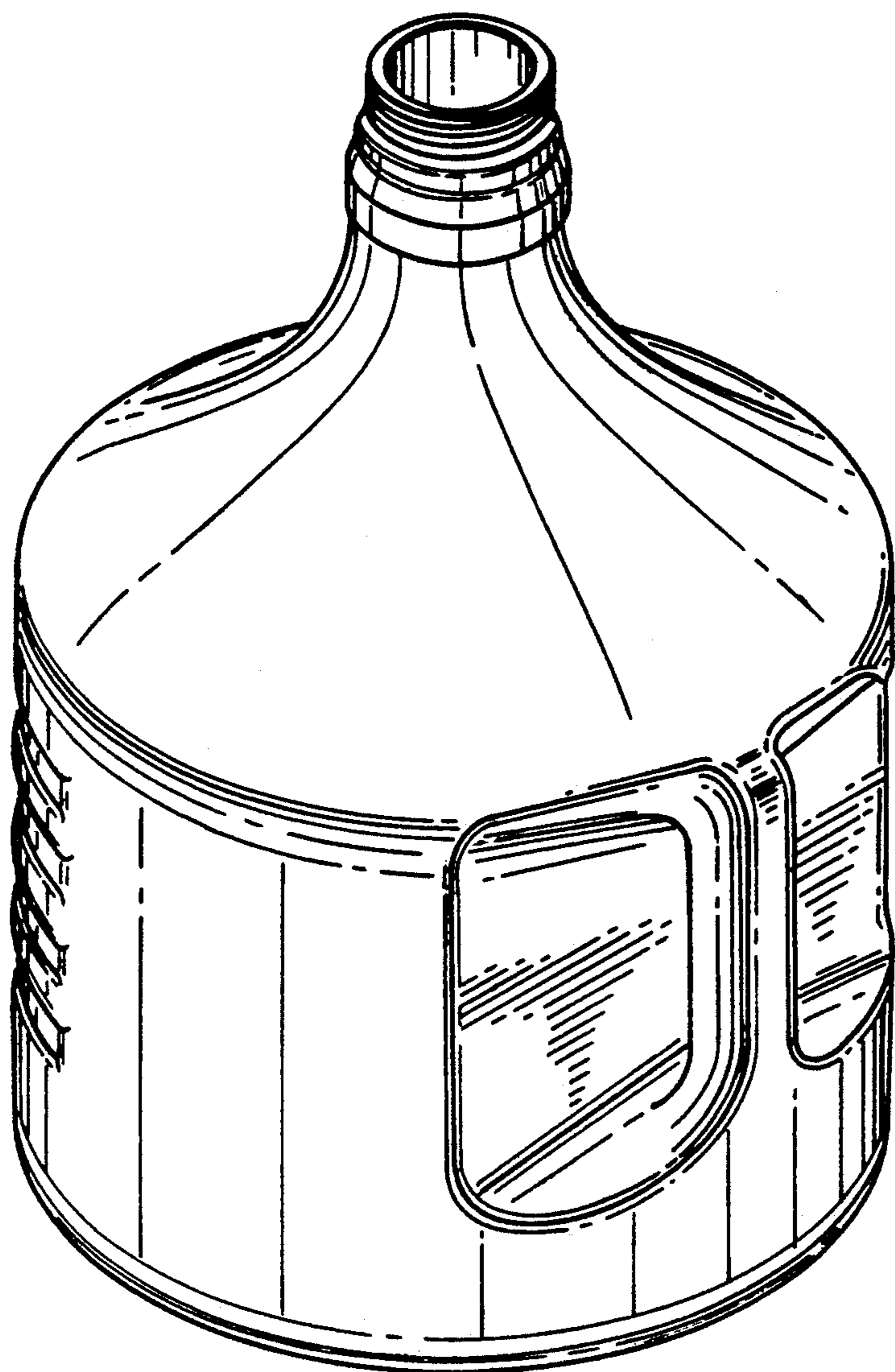


FIG. 1

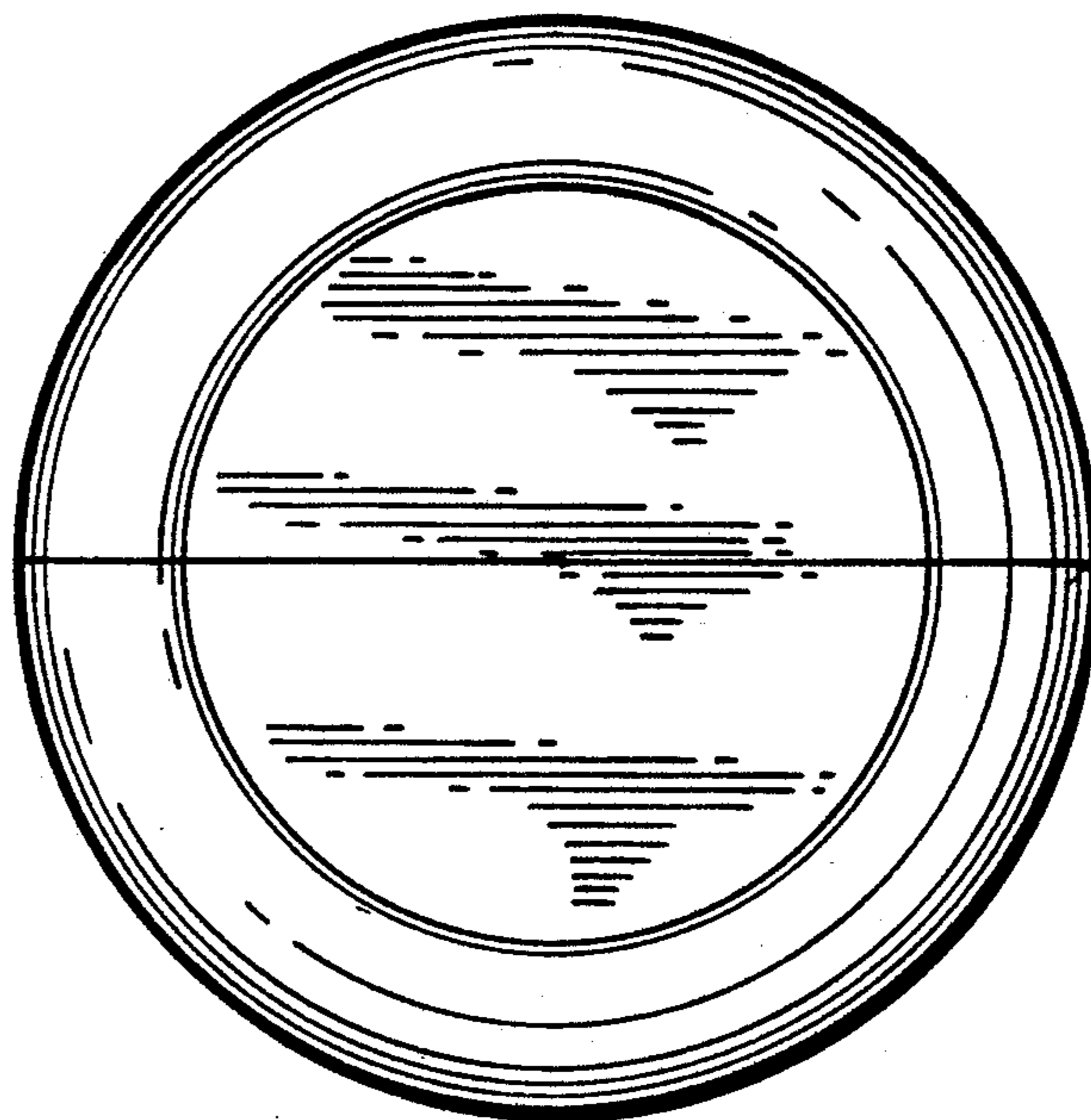


FIG. 2

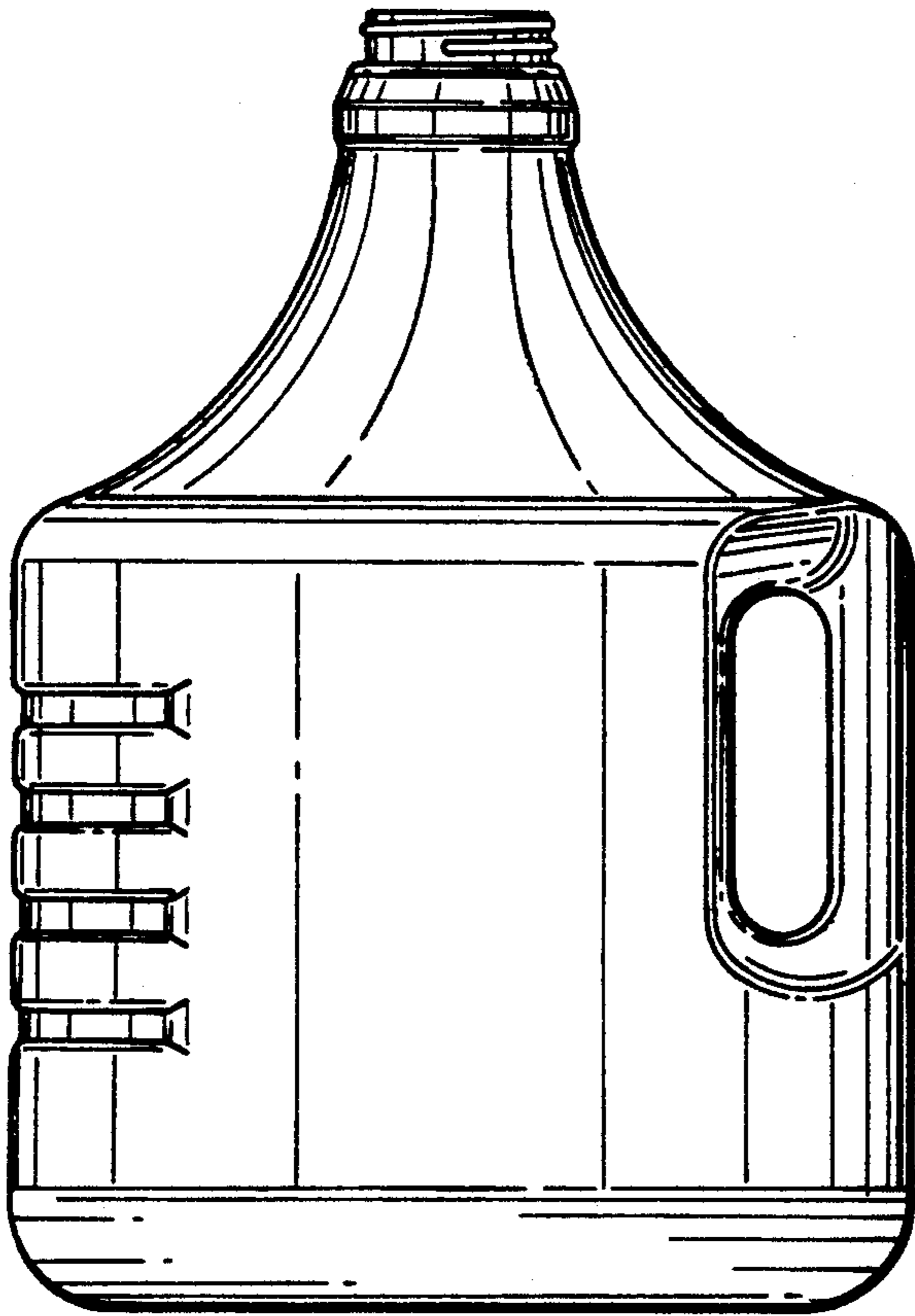
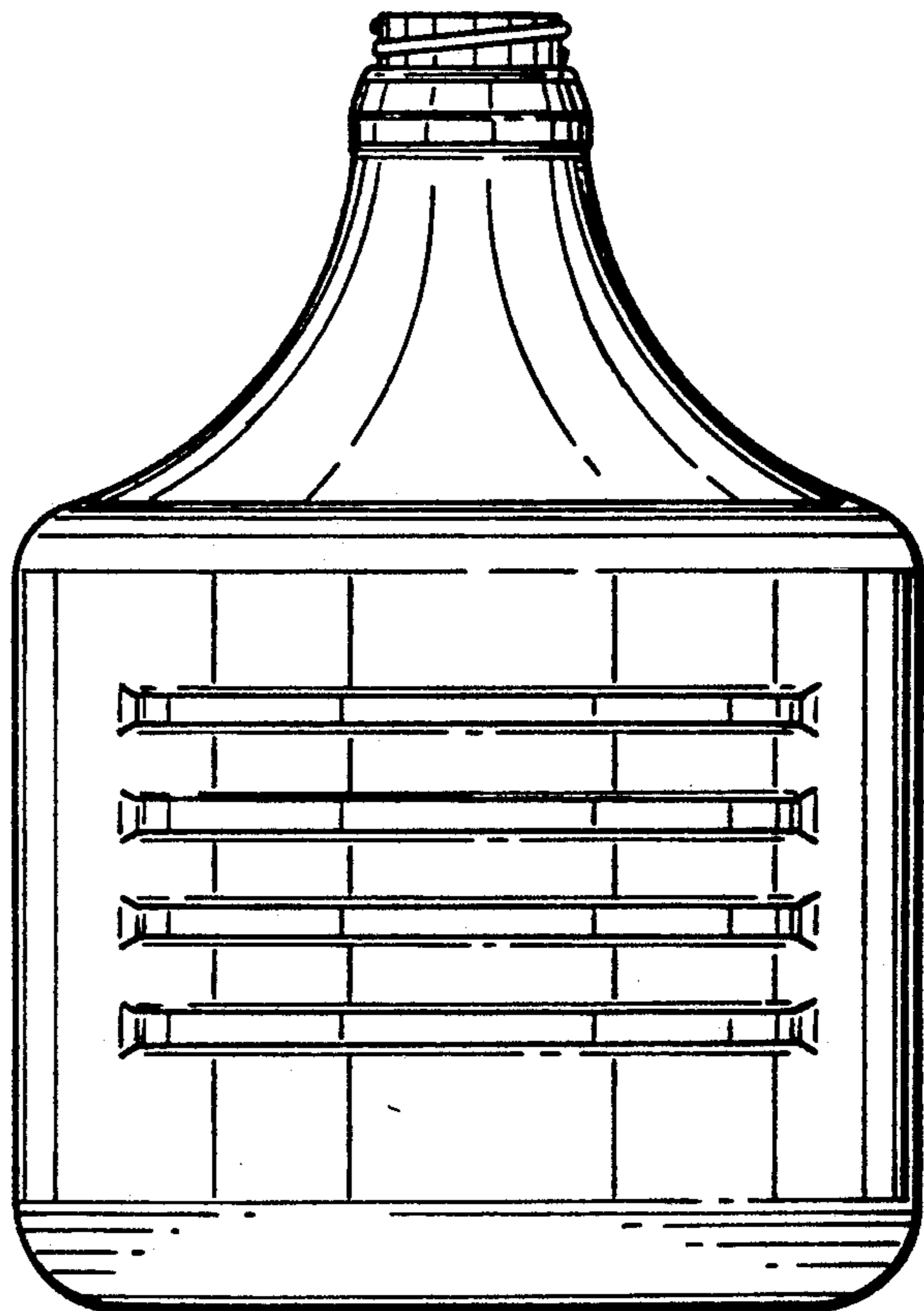


FIG. 3

FIG. 4



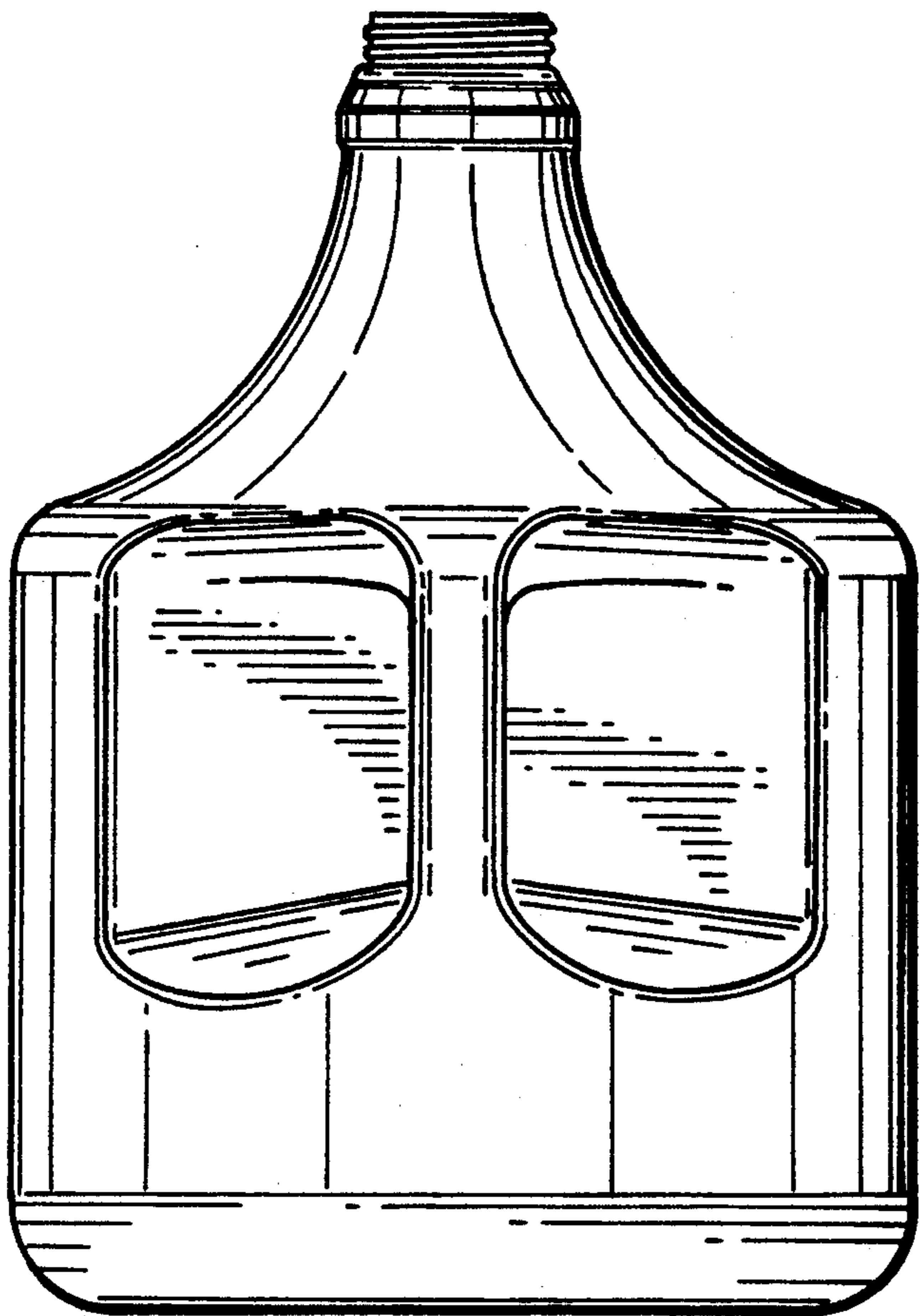


FIG. 5

FIG. 6

