



US00D333095S

United States Patent [19]

[11] Patent Number: **Des. 333,095**

Haubner

[45] Date of Patent: **** Feb. 9, 1993**

[54] **ADJUSTABLE SPRAY CAN HOLDER TOOL FOR SPRAYING AT HIGH POSITIONS**

[76] Inventor: **Clarence L. Haubner**, Rte. 1, Box 75B, Canaan, Ind. 47224-9514

[**] Term: **14 Years**

[21] Appl. No.: **608,312**

[22] Filed: **Nov. 2, 1990**

[52] U.S. Cl. **D9/434; D8/14**

[58] Field of Search **D8/355, 356, 373, 14, D8/51, 106; D23/366; D6/512; 211/74, 71, 98; 248/122, 124, 161, 157, 178, 264; D9/369, 455, 434; 222/174**

[56] **References Cited**

U.S. PATENT DOCUMENTS

D. 198,280	5/1964	Hummel et al.	D8/355
D. 227,439	6/1973	Brothers	D8/355
4,023,711	5/1977	Sena	222/174
4,660,745	4/1987	Hess, Jr.	222/174
4,789,084	12/1988	Yoshitomi	222/174
4,886,191	12/1989	Yoshitomi	222/174

OTHER PUBLICATIONS

Dreyfuss Symbol Source Book, 1974, p. 88, gemini symbol, located lower right side of page.

The Picture Book of Symbols, 1956 p. 18, gemini sign, left side of page.

Primary Examiner—Wallace R. Burke

Assistant Examiner—H. Baynham

Attorney, Agent, or Firm—Leon Gildea

[57] **CLAIM**

The ornamental design for a adjustable spray can holder for spraying at high positions, as shown and described.

DESCRIPTION

FIG. 1 is a front elevational view of the adjustable spray can holder tool for spraying at high positions showing my new design;

FIG. 2 is a rear elevational view thereof;

FIG. 3 is a left side elevational view thereof;

FIG. 4 is a right side elevational view thereof;

FIG. 5 is a top plan view thereof;

FIG. 6 is a bottom plan view thereof; and,

FIG. 7 is a perspective view thereof.

The cross-hatched shading on the straps represents conventional woven material and is understood to cover the entire surface.

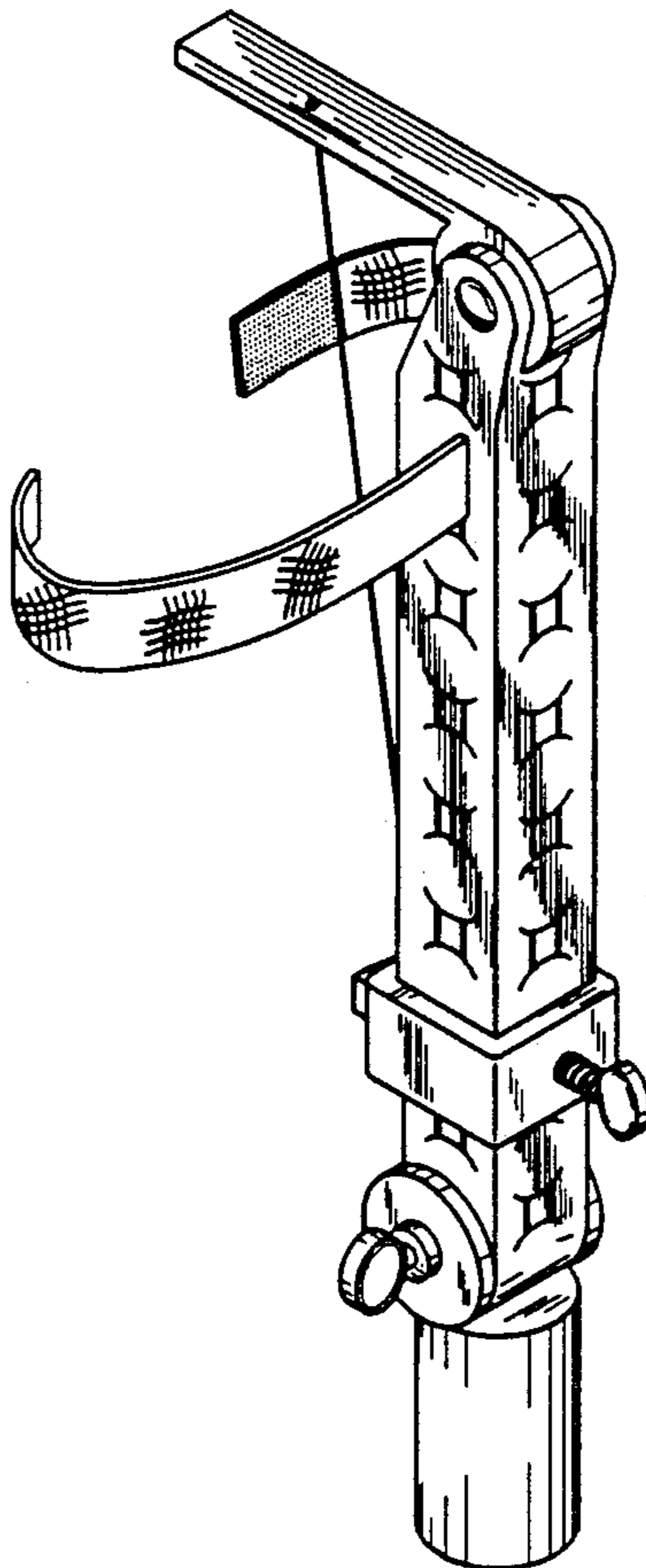


FIG. 1

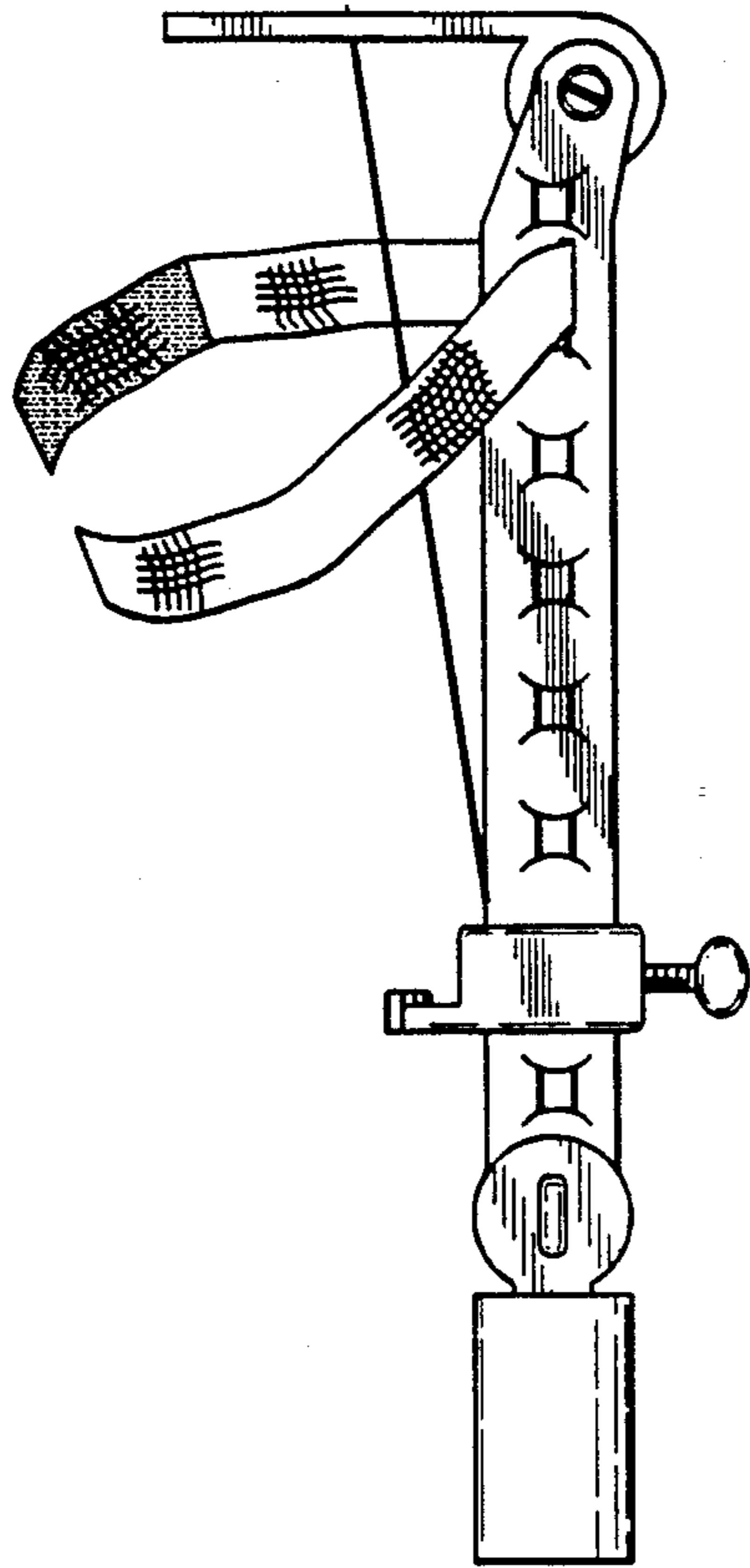


FIG. 2

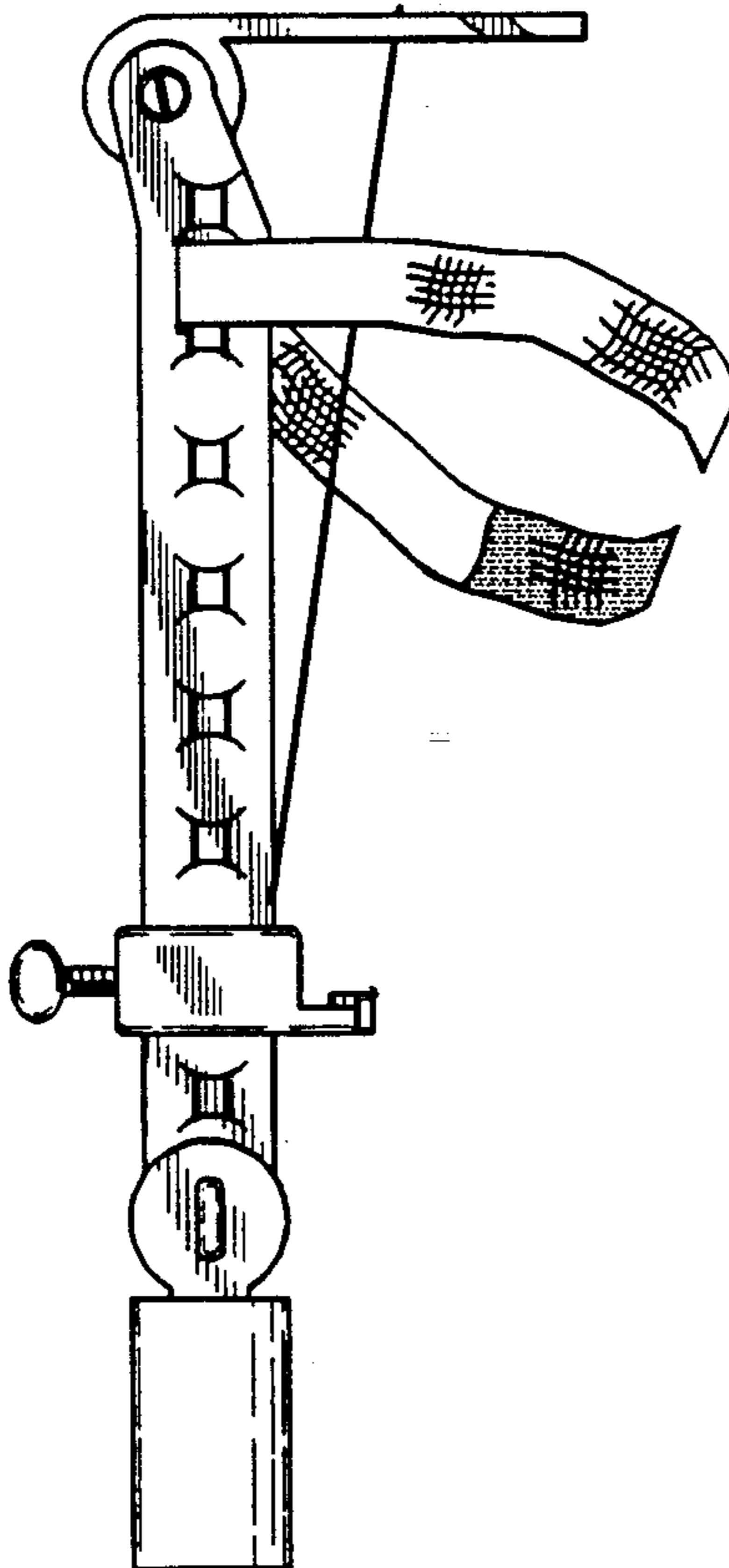


FIG. 3

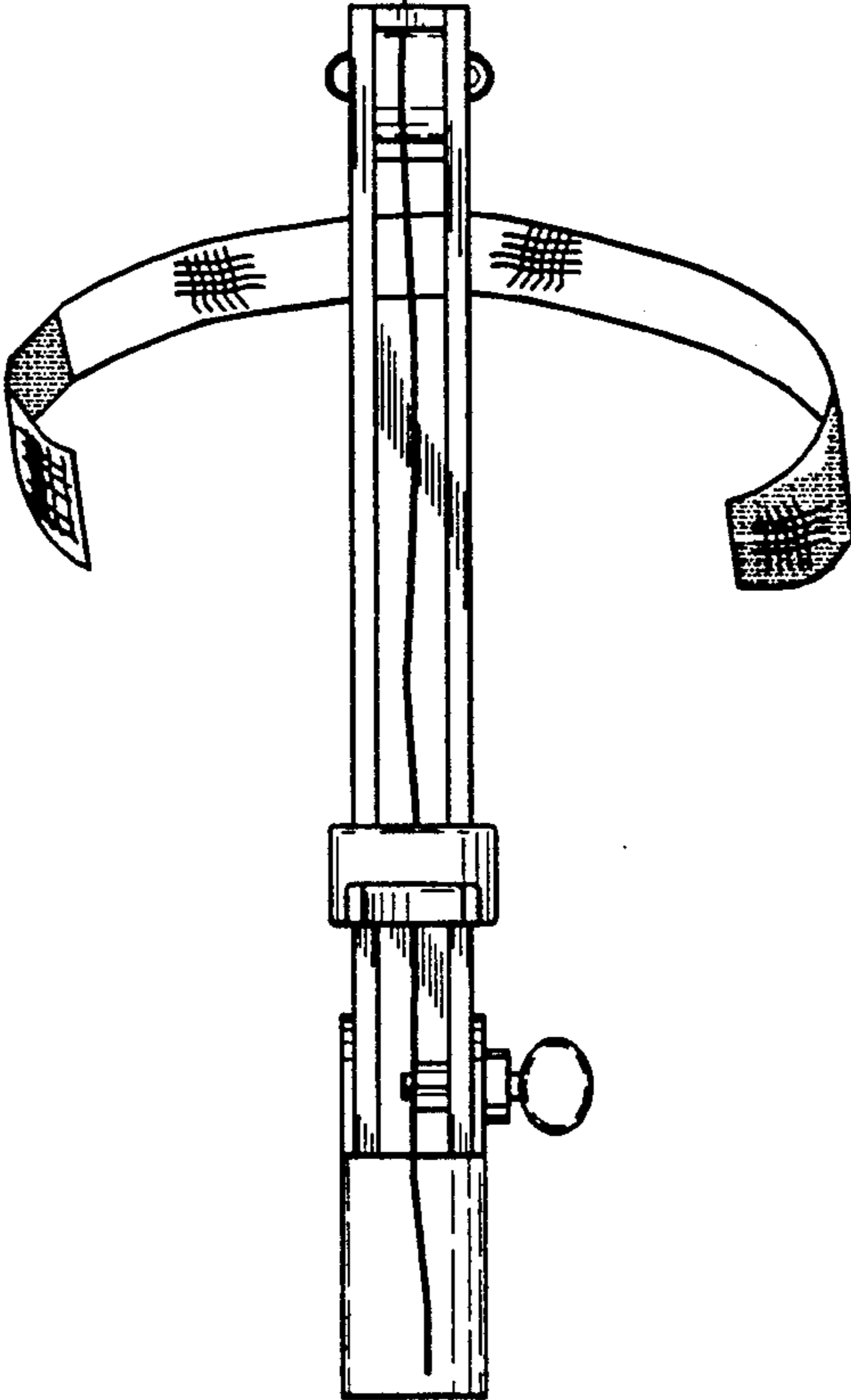


FIG. 4

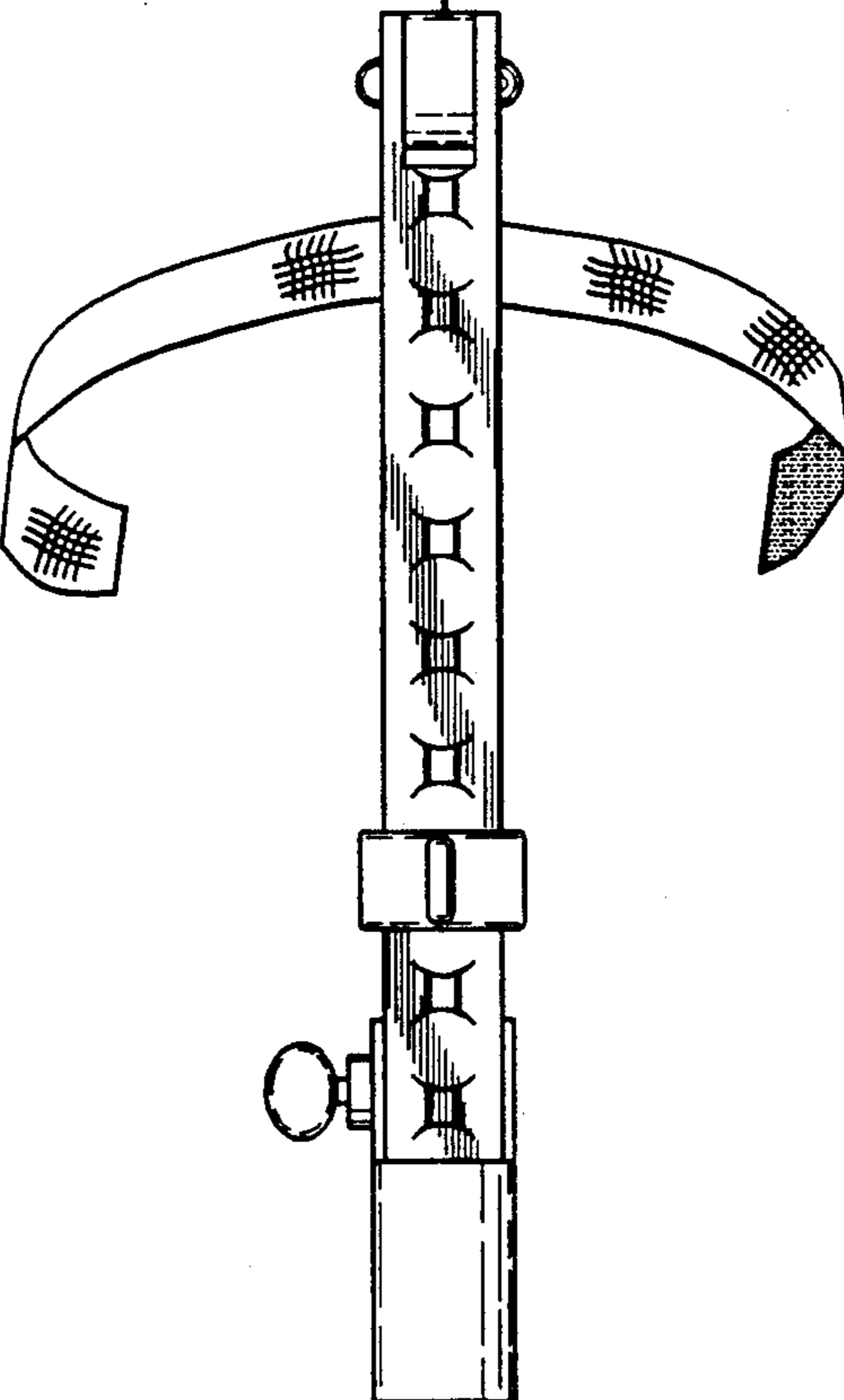


FIG. 5

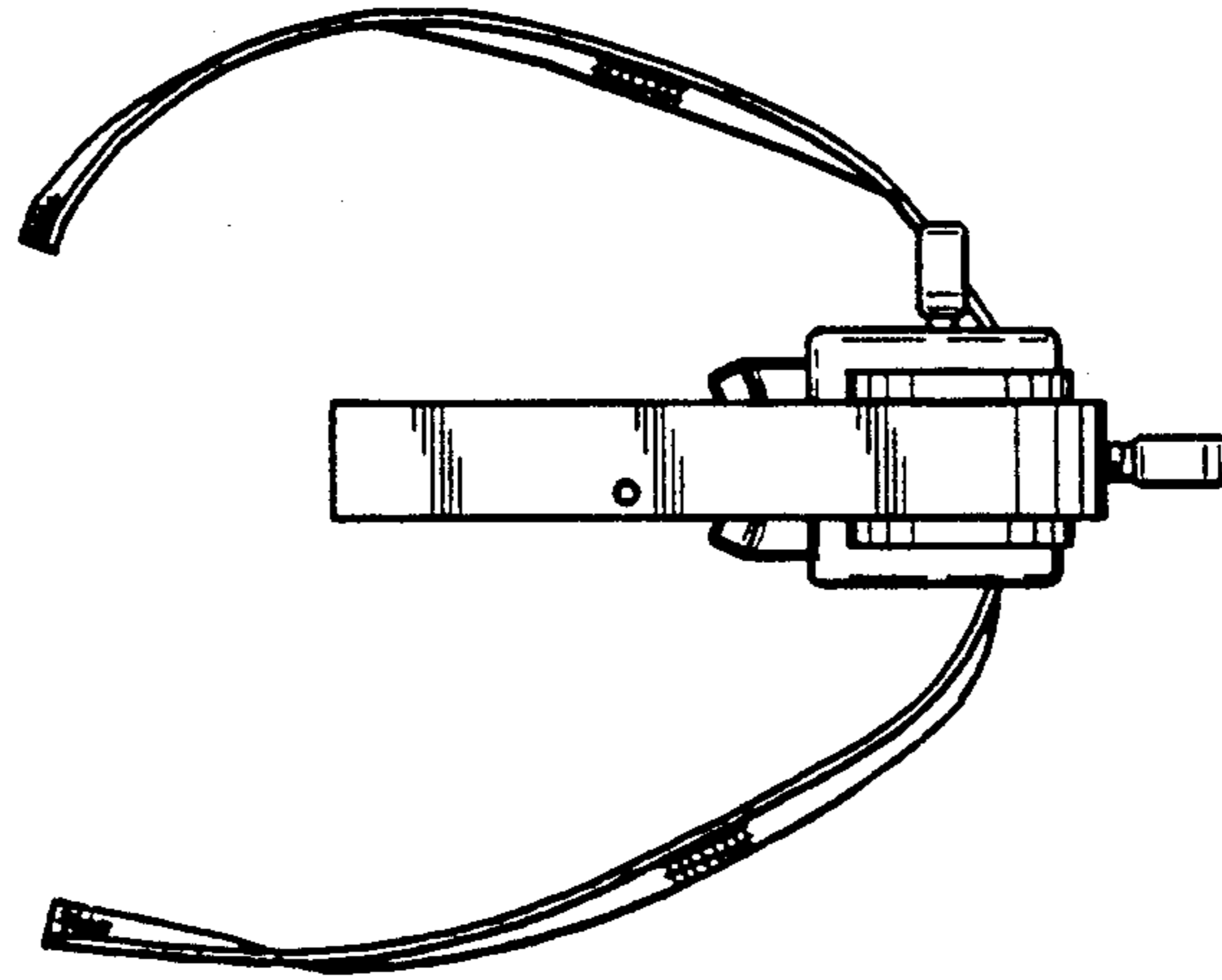


FIG. 6

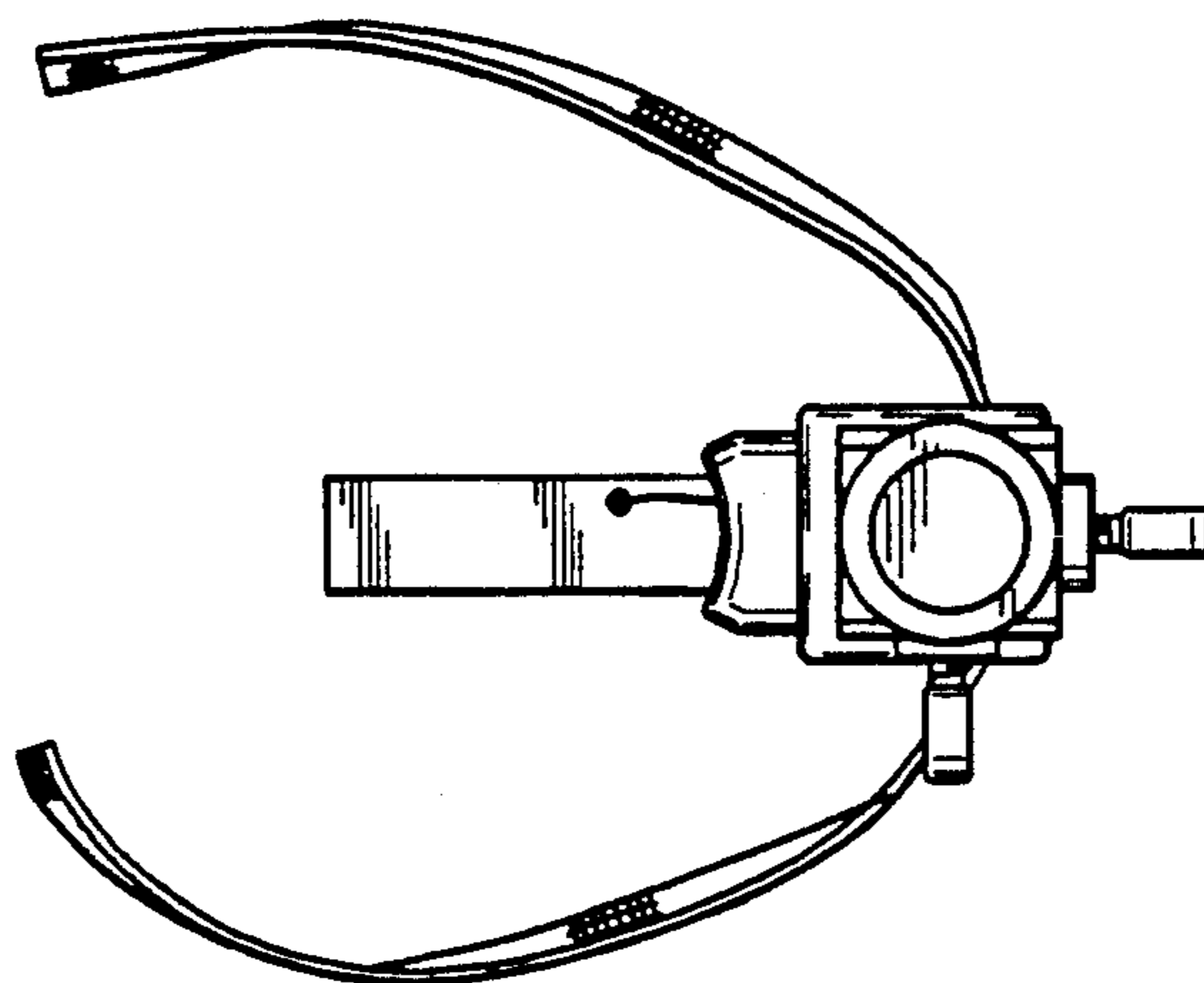


FIG. 7

