



US00D333087S

United States Patent [19]

[11] Patent Number: **Des. 333,087**

Tekirian

[45] Date of Patent: **** Feb. 9, 1993**

[54] PIPE CLAMP

3,735,950 5/1973 Paintin 248/62

[76] Inventor: **Harry Tekirian, 4561 Curtis, Dearborn, Mich. 48126**

Primary Examiner—Wallace R. Burke
Assistant Examiner—H. Baynham
Attorney, Agent, or Firm—Gifford, Groh, Sprinkle, Patmore and Anderson

[**] Term: **14 Years**

[21] Appl. No.: **732,707**

[57] **CLAIM**

[22] Filed: **Jul. 19, 1991**

The ornamental design for a pipe clamp, as shown and described.

[52] U.S. Cl. **D8/394; D8/354; D8/396**

[58] Field of Search **D8/354, 396, 394; 248/61-65, 69, 74.1**

DESCRIPTION

[56] **References Cited**

FIG. 1 is a front elevational view of a pipe clamp showing my new design;
FIG. 2 is a left side elevational view thereof;
FIG. 3 is a right side elevational view thereof;
FIG. 4 is a rear elevational view thereof;
FIG. 5 is a top plan view thereof;
FIG. 6 is a bottom plan view thereof; and,
FIG. 7 is a cross-sectional view thereof taken along line 7-7 of FIG. 1.

U.S. PATENT DOCUMENTS

D. 269,946	8/1983	Drew	D8/356 X
1,017,975	2/1912	Kenway	248/62
1,705,233	3/1929	Brenizer	248/61
2,923,509	2/1960	Kolodin	248/62
2,999,661	9/1961	Shuter	248/62

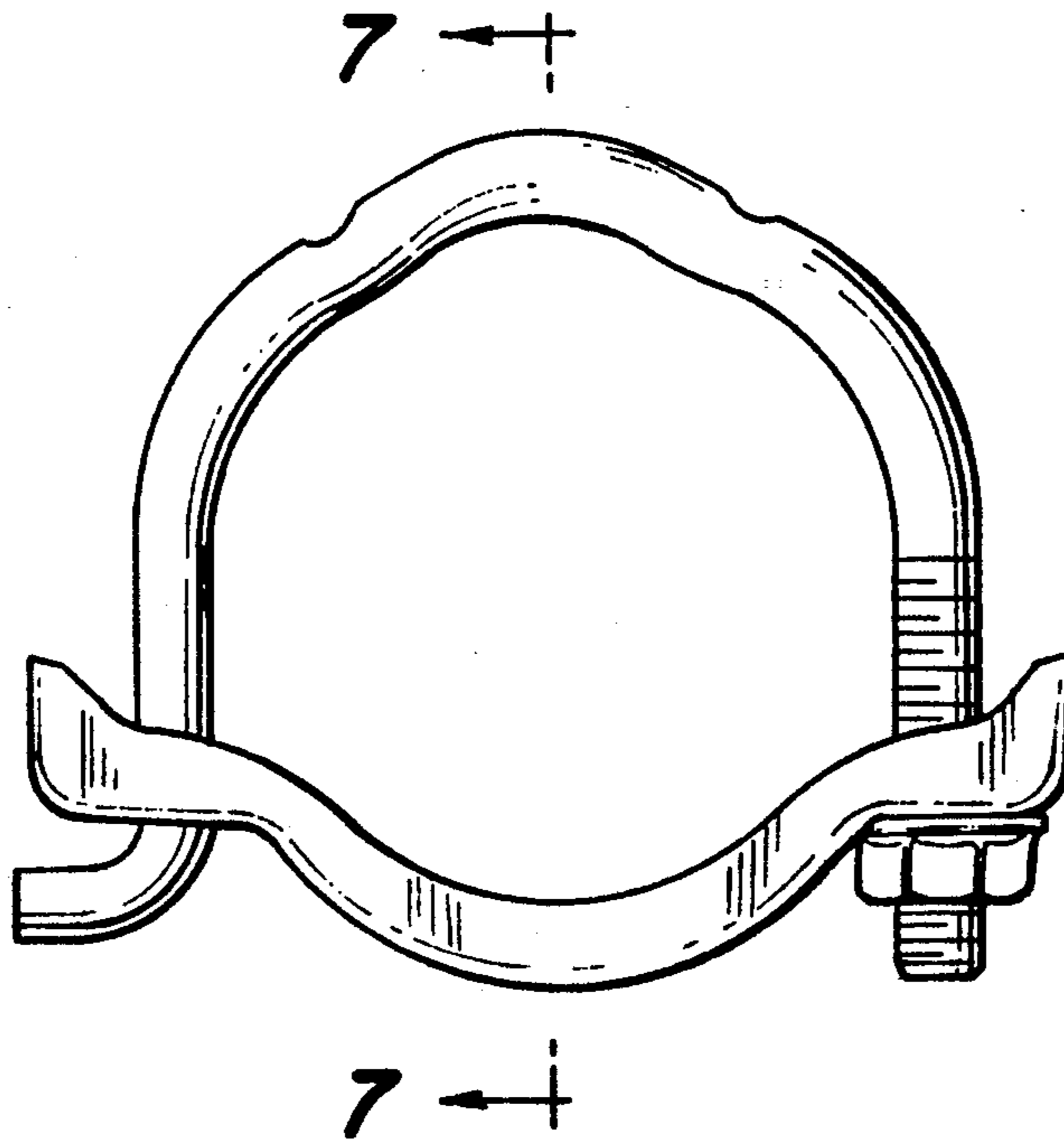


Fig-2

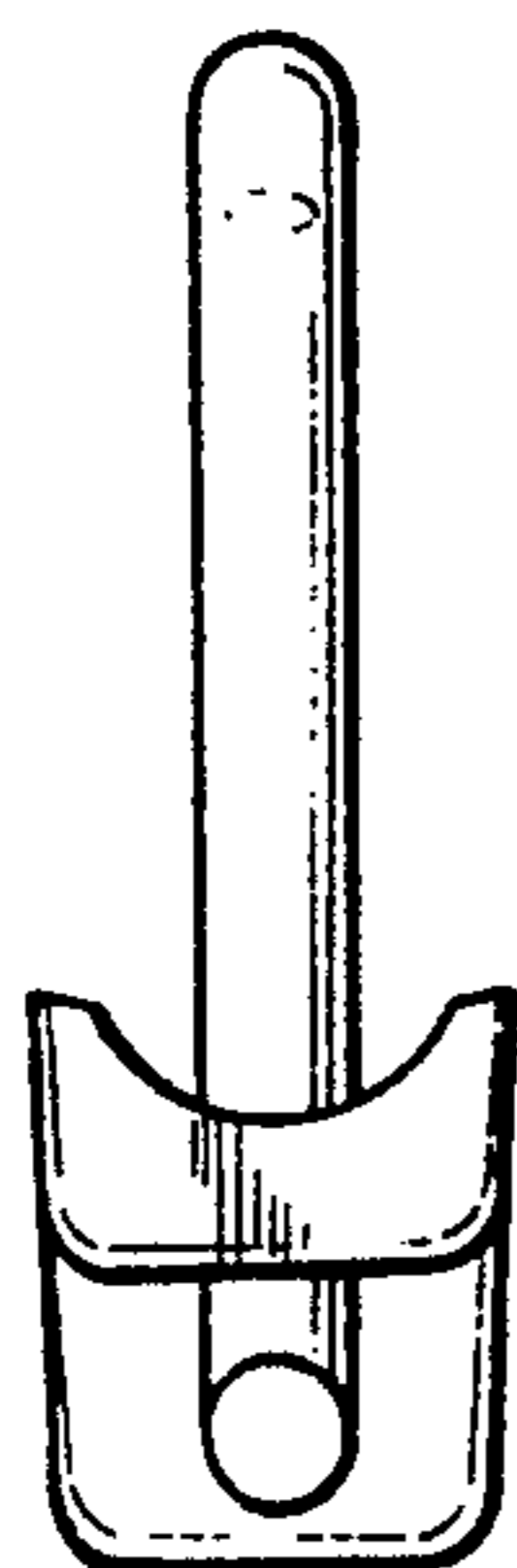


Fig-1

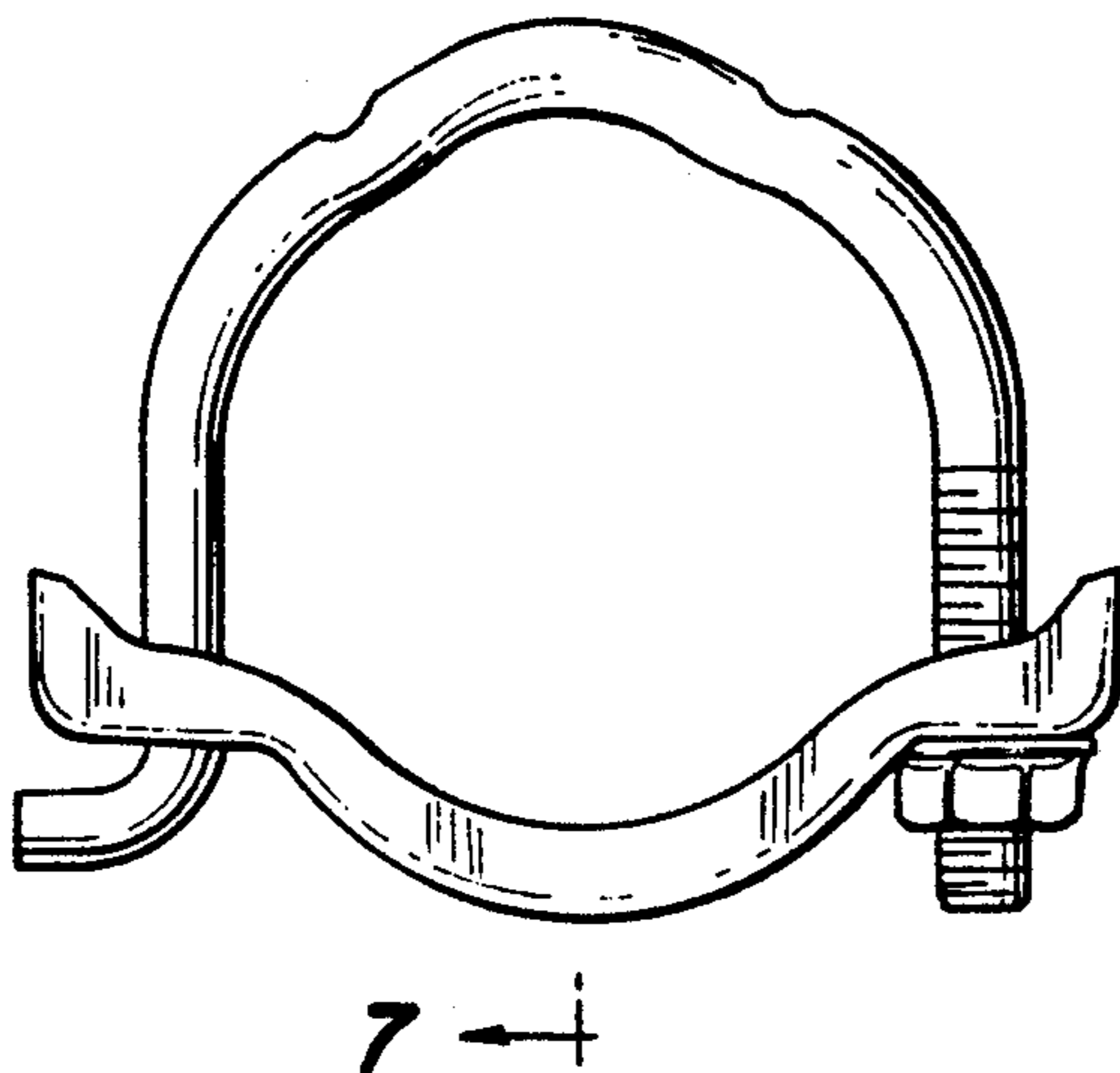


Fig-3

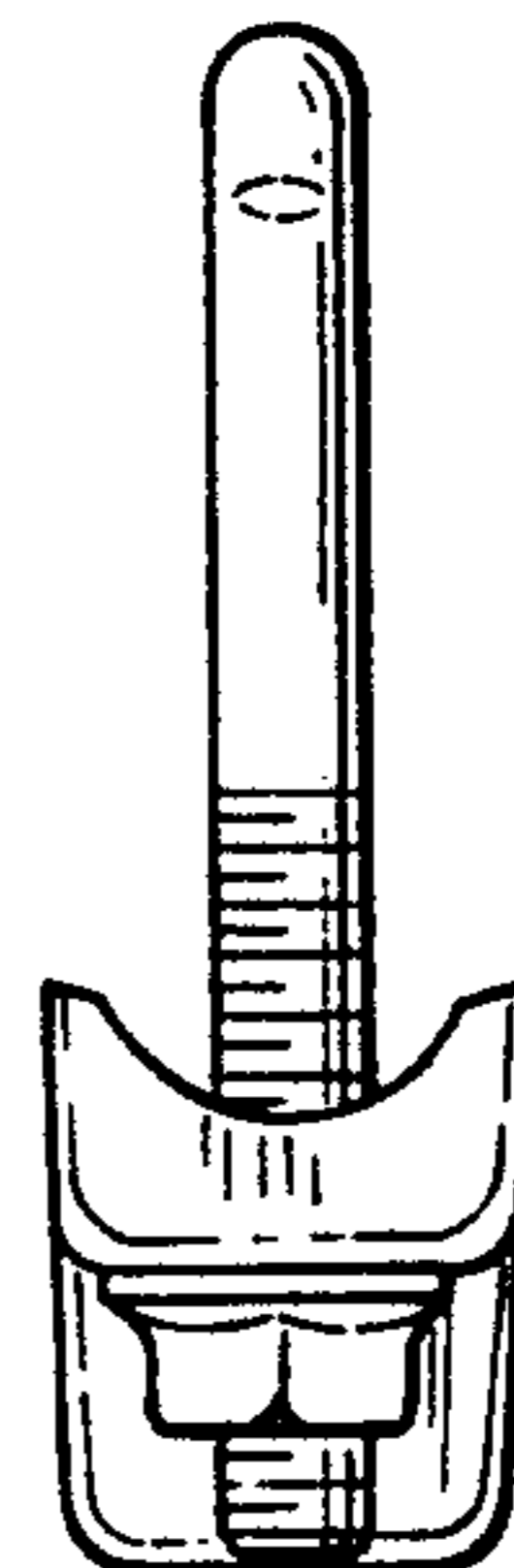


Fig-4

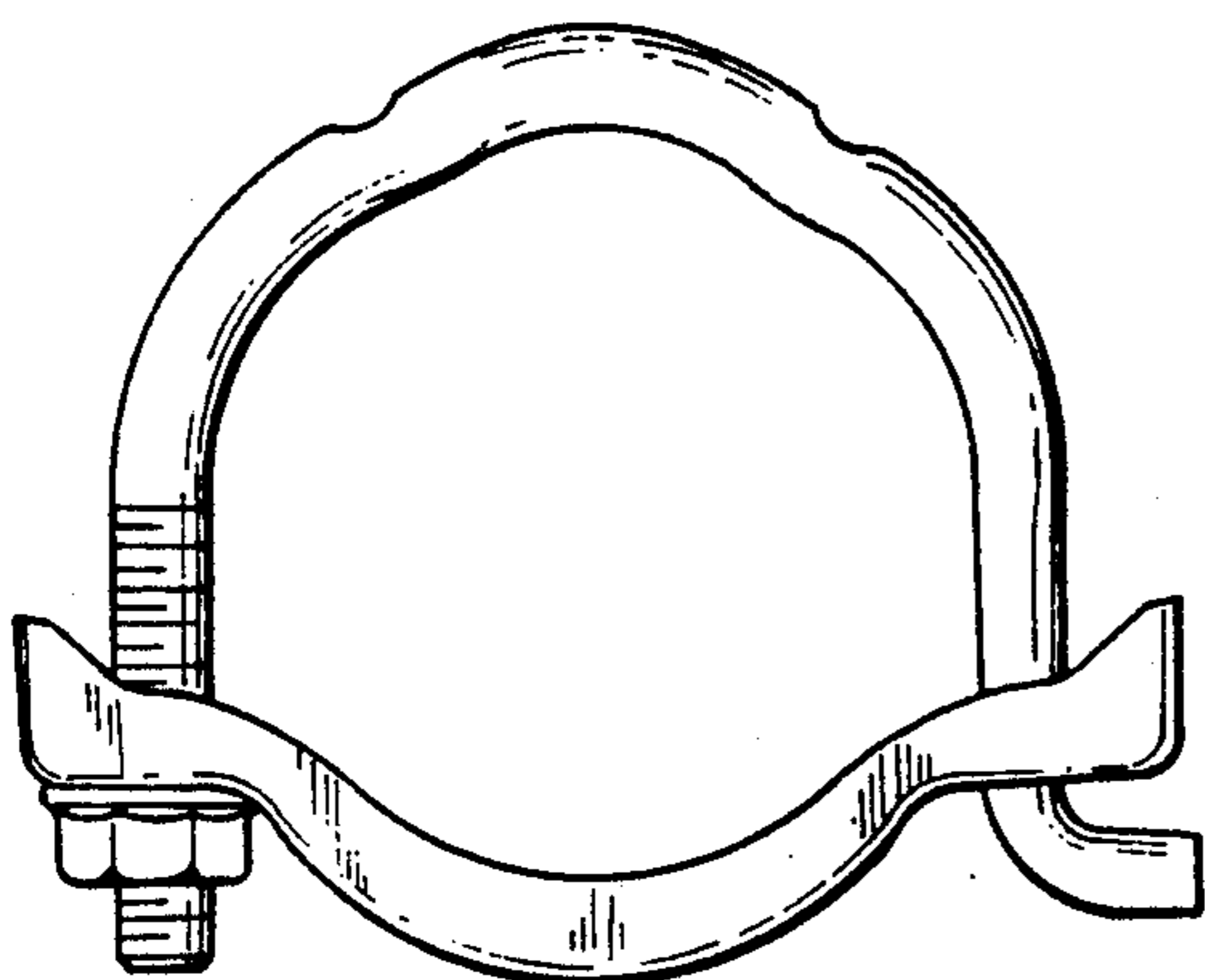


Fig-5

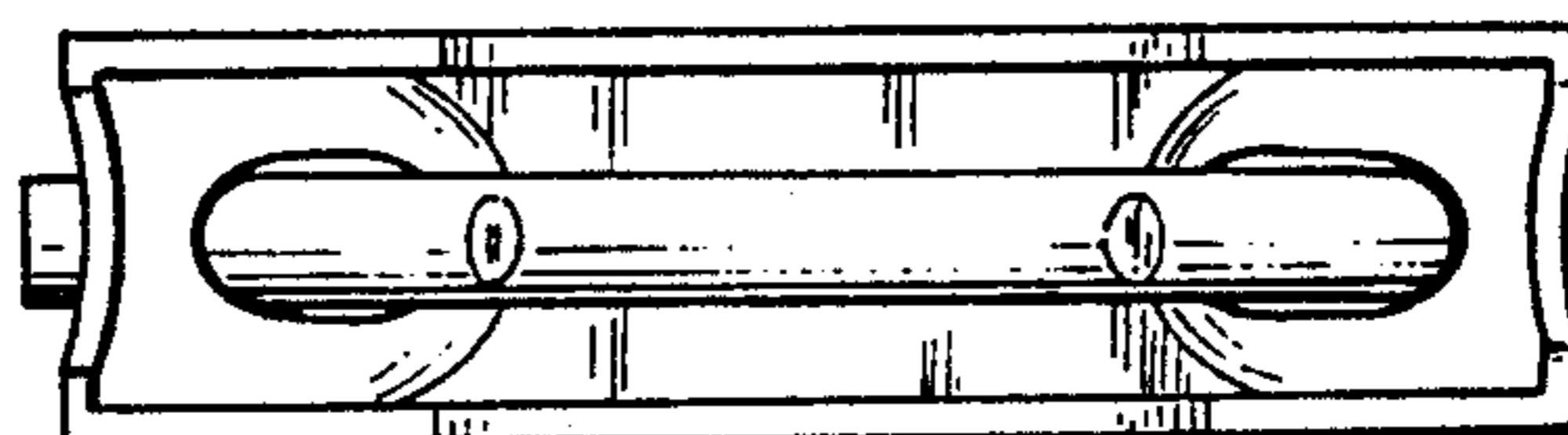


Fig-6

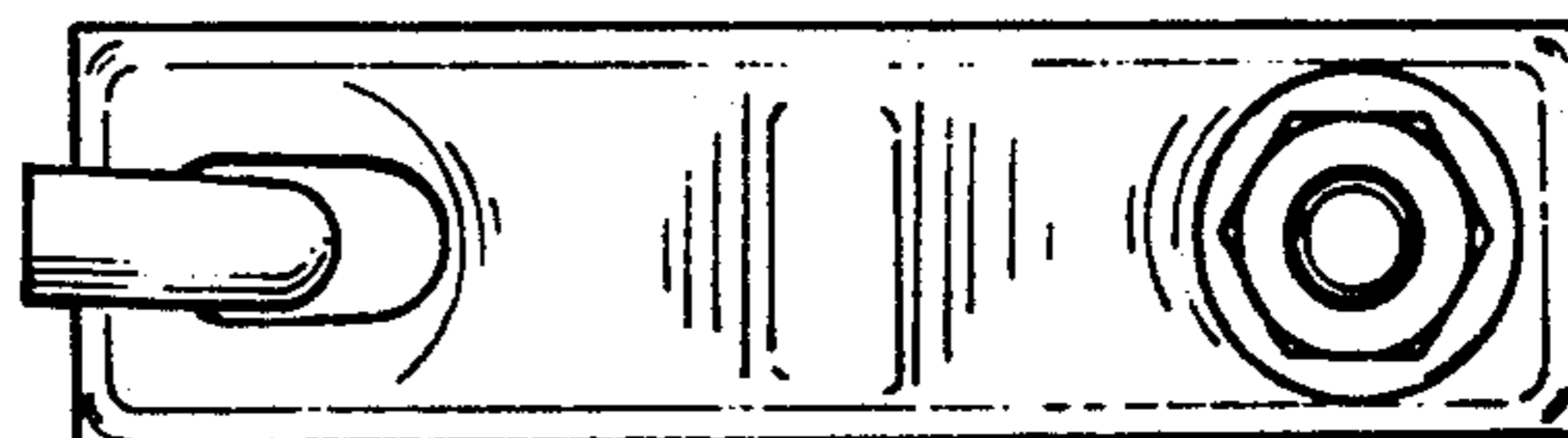


Fig-7

