



US00D333083S

United States Patent [19]

[11] Patent Number: **Des. 333,083**

Stenger

[45] Date of Patent: **** Feb. 9, 1993**

[54] **LOCKING COVER FOR A VEHICLE TAILGATE LATCH**

[76] Inventor: **Jesse Stenger, 3323 Rancho El Encino Dr., Covina, Calif. 91724**

[**] Term: **14 Years**

[21] Appl. No.: **551,573**

[22] Filed: **Jun. 6, 1990**

[52] U.S. Cl. **D8/346**

[58] Field of Search **D8/330-331, D8/343, 346; 70/57, 77, 158, 159, 160, 162, 163, 167, 169, 237, 258, DIG. 56**

[56] **References Cited**

U.S. PATENT DOCUMENTS

3,412,586	11/1968	Sterner	252/DIG. 71 X
3,563,069	2/1971	Ferrer	70/209 X
4,041,741	8/1977	Cintron	70/DIG. 43 X
4,248,069	2/1981	Burbank	70/160
4,350,032	9/1982	Kochackis	70/78 X
4,584,856	4/1986	Petersdorff et al.	70/168 X

Primary Examiner—Brian N. Vinson
Attorney, Agent, or Firm—Nilsson, Wurst & Green

[57] **CLAIM**

The ornamental design of a locking cover for a vehicle tailgate latch, as shown and described.

DESCRIPTION

FIG. 1 is a left side and front perspective view of a locking cover for a vehicle tailgate latch showing my new design;

FIG. 2 is a greatly enlarged front elevational view thereof;

FIG. 3 is a greatly enlarged bottom plan view thereof;

FIG. 4 is a greatly enlarged rear elevational view thereof;

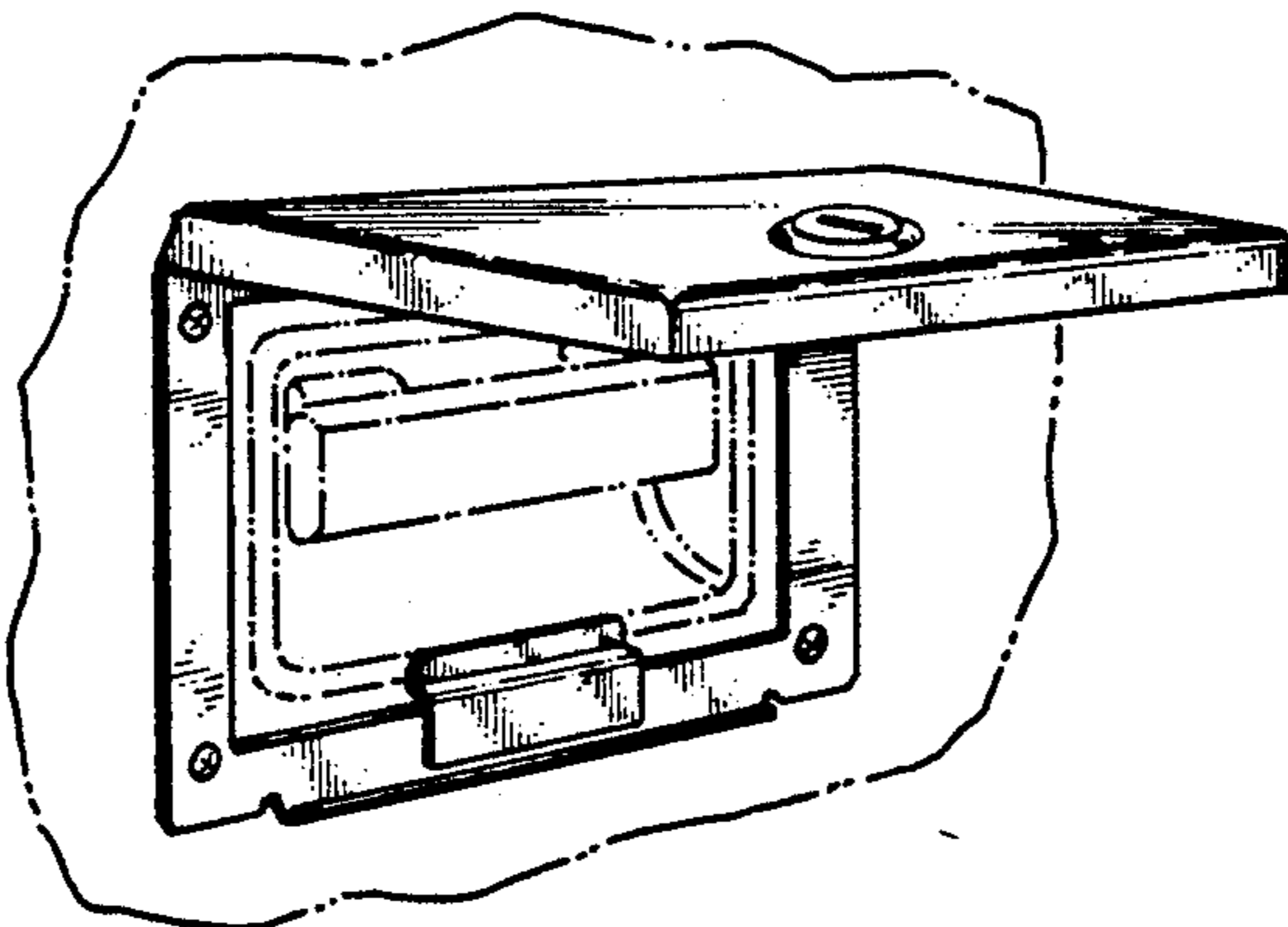
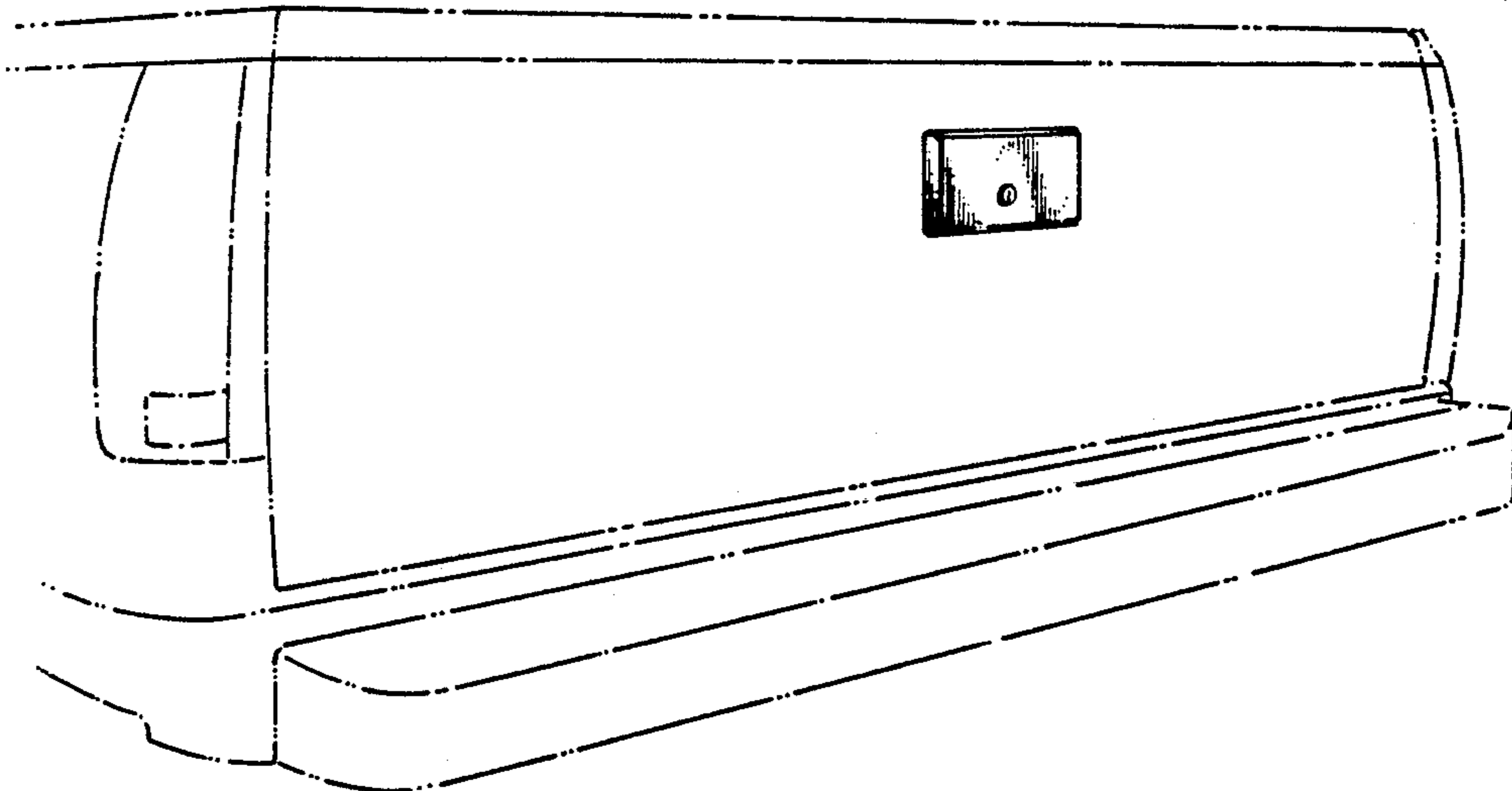
FIG. 5 is a greatly enlarged left side elevational view thereof, the right side being a mirror image of that shown;

FIG. 6 is a greatly enlarged top plan view thereof;

FIG. 7 is an enlarged top, front, and left side perspective view thereof, shown in an open position; and,

FIG. 8 is a top, front and left side perspective view of an alternate embodiment thereof, the only difference residing in the proportions and location of the keyway.

The broken-line disclosure of partial vehicle tailgates in the views is for illustrative purposes only and forms no part of the claimed design.



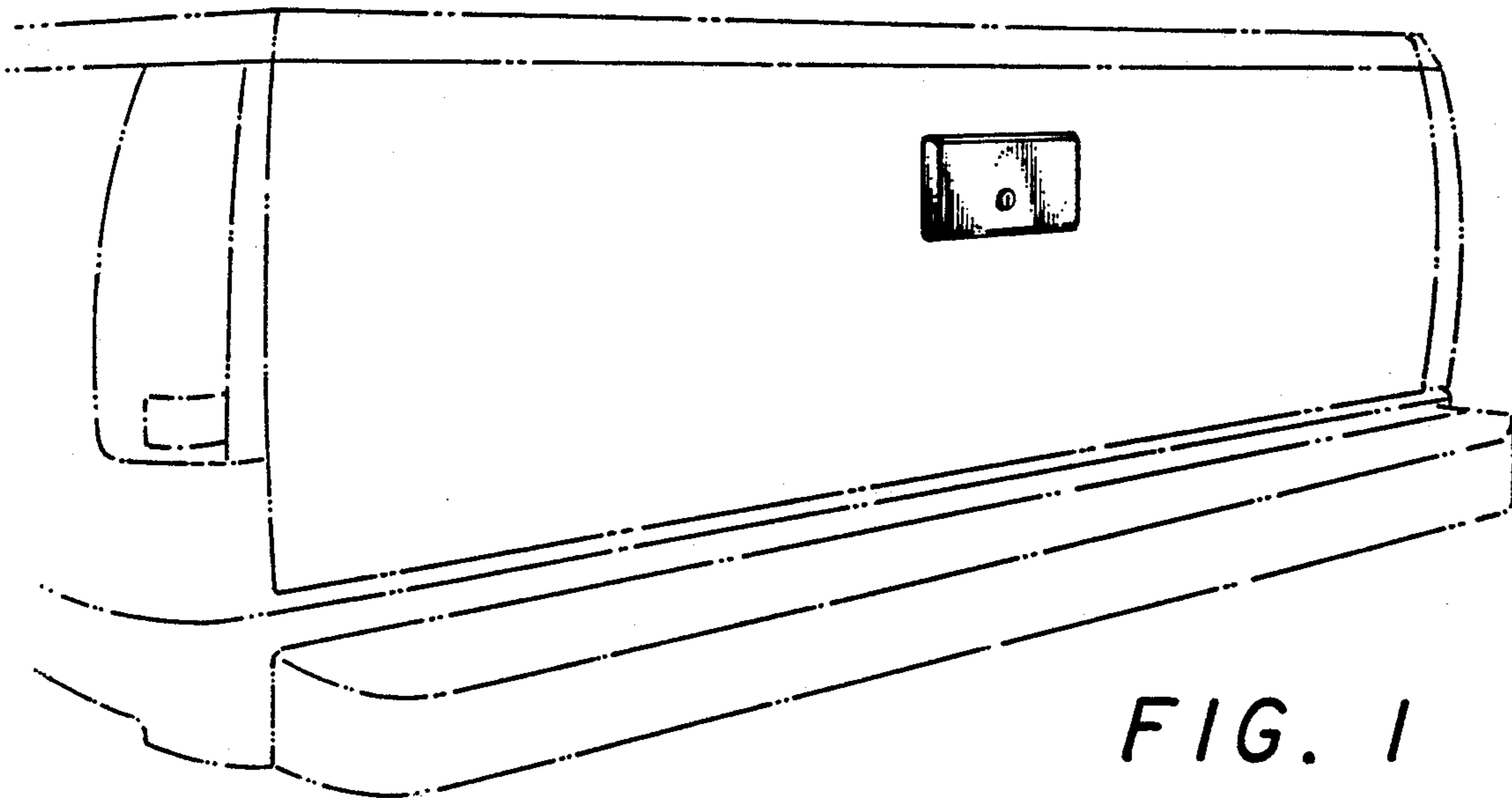


FIG. 1

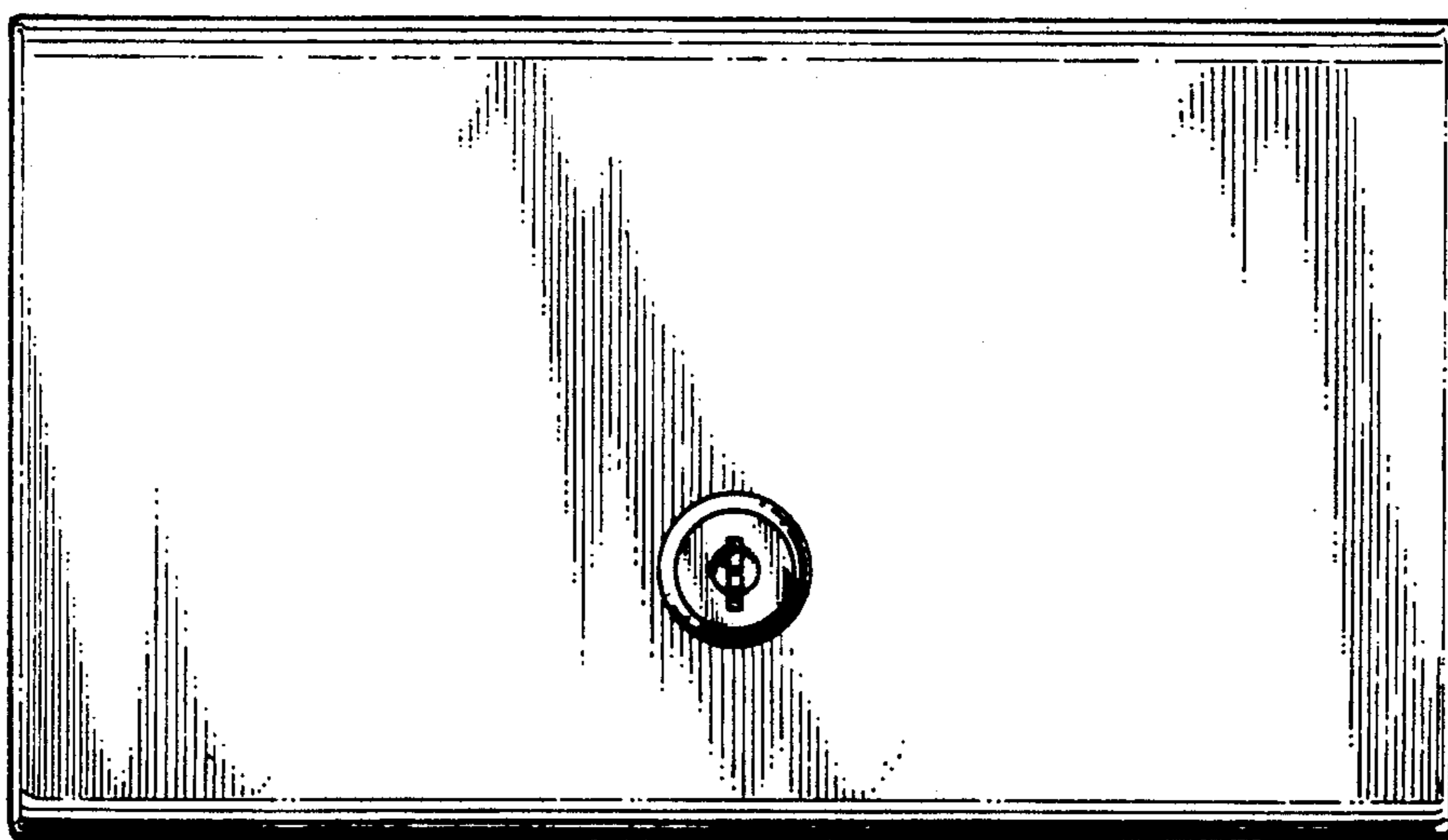


FIG. 2



FIG. 3

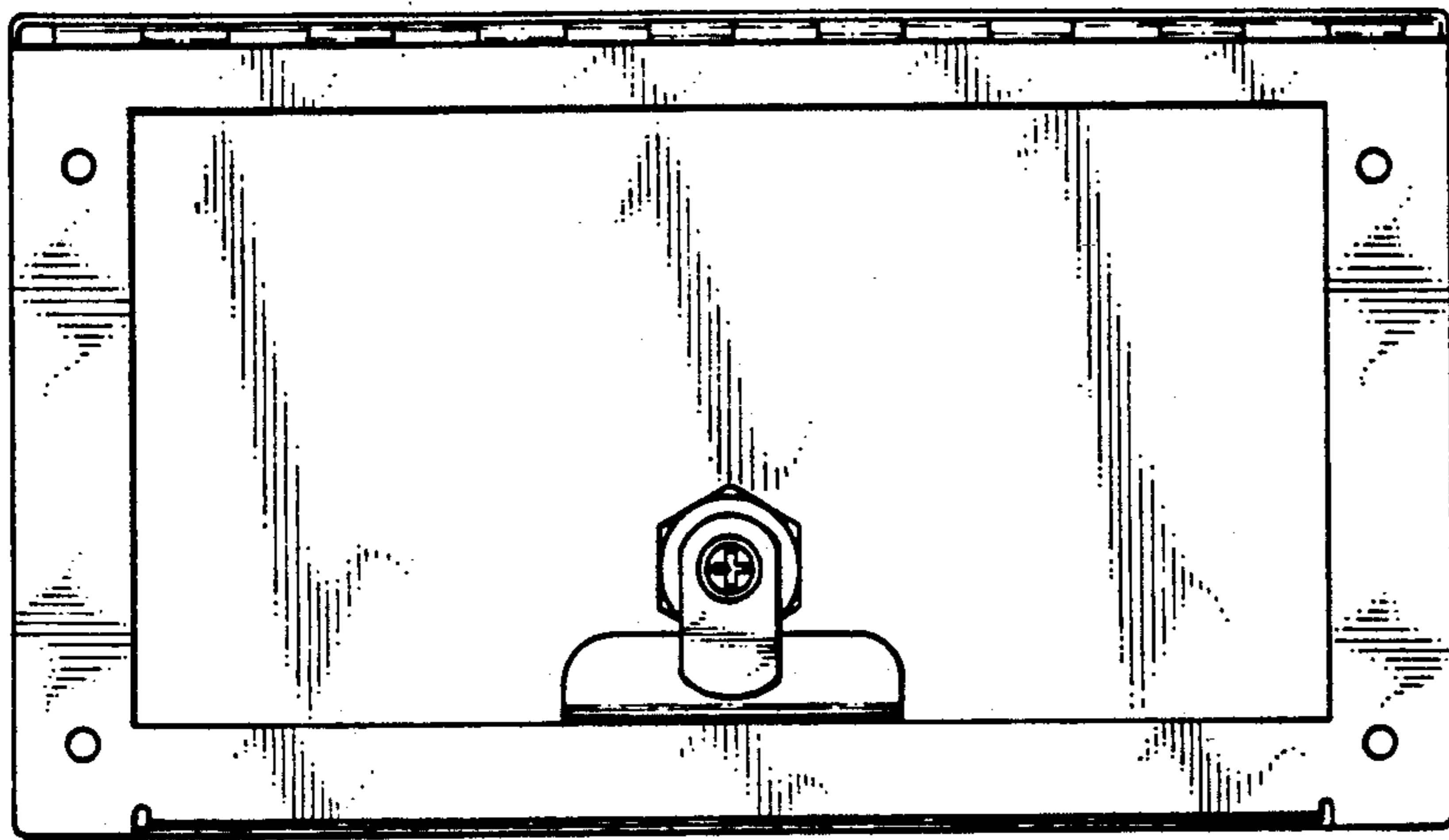


FIG. 4



FIG. 5



FIG. 6

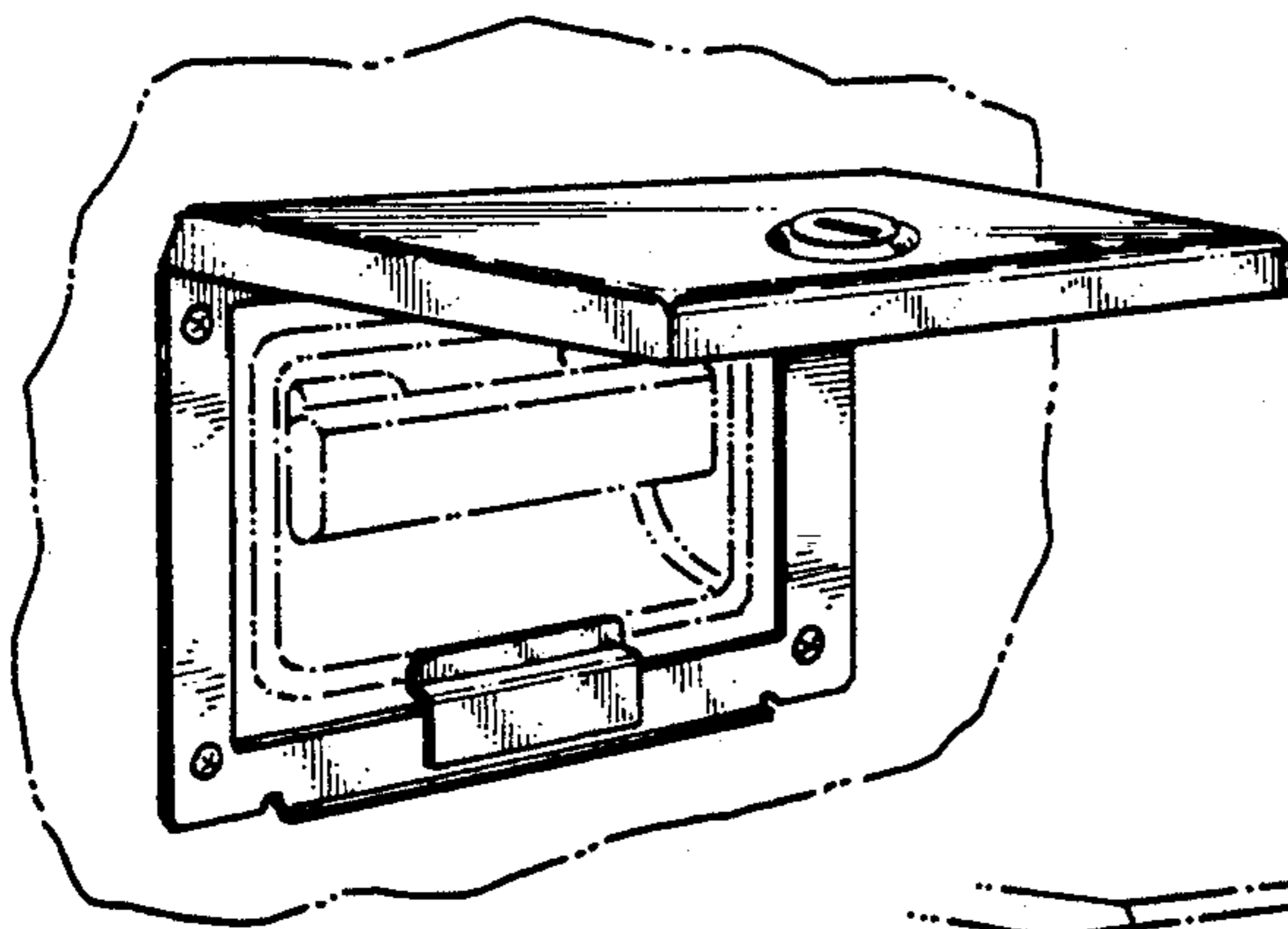


FIG. 7

FIG. 8

