



US00D333081S

United States Patent [19]

Glesser

[11] Patent Number: **Des. 333,081**

[45] Date of Patent: **** Feb. 9, 1993**

[54] **KNIFE SHARPENER**

[76] Inventor: **Louis S. Glesser, 164 Aspen La.,
Evergreen, Colo. 80439**

[**] Term: **14 Years**

[21] Appl. No.: **608,327**

[22] Filed: **Oct. 31, 1990**

[52] U.S. Cl. **D8/91; D8/93**

[58] Field of Search **D8/14, 90, 91, 92, 93;
51/205, 211 R, 211 H, 214; 76/89.1, 89.2**

[56] **References Cited**

U.S. PATENT DOCUMENTS

- D. 248,729 8/1978 Gunzner D8/91
- D. 295,142 4/1988 Patrick D8/91

- D. 296,518 7/1988 Sadler D8/91
- D. 297,209 8/1988 Cohen D8/91
- D. 313,735 1/1991 Walker D8/91

Primary Examiner—Bernard Ansher

Assistant Examiner—P. Hyder

[57] **CLAIM**

The ornamental design for a knife sharpener, as shown.

DESCRIPTION

FIG. 1 is a perspective view of a knife sharpener showing my new design;

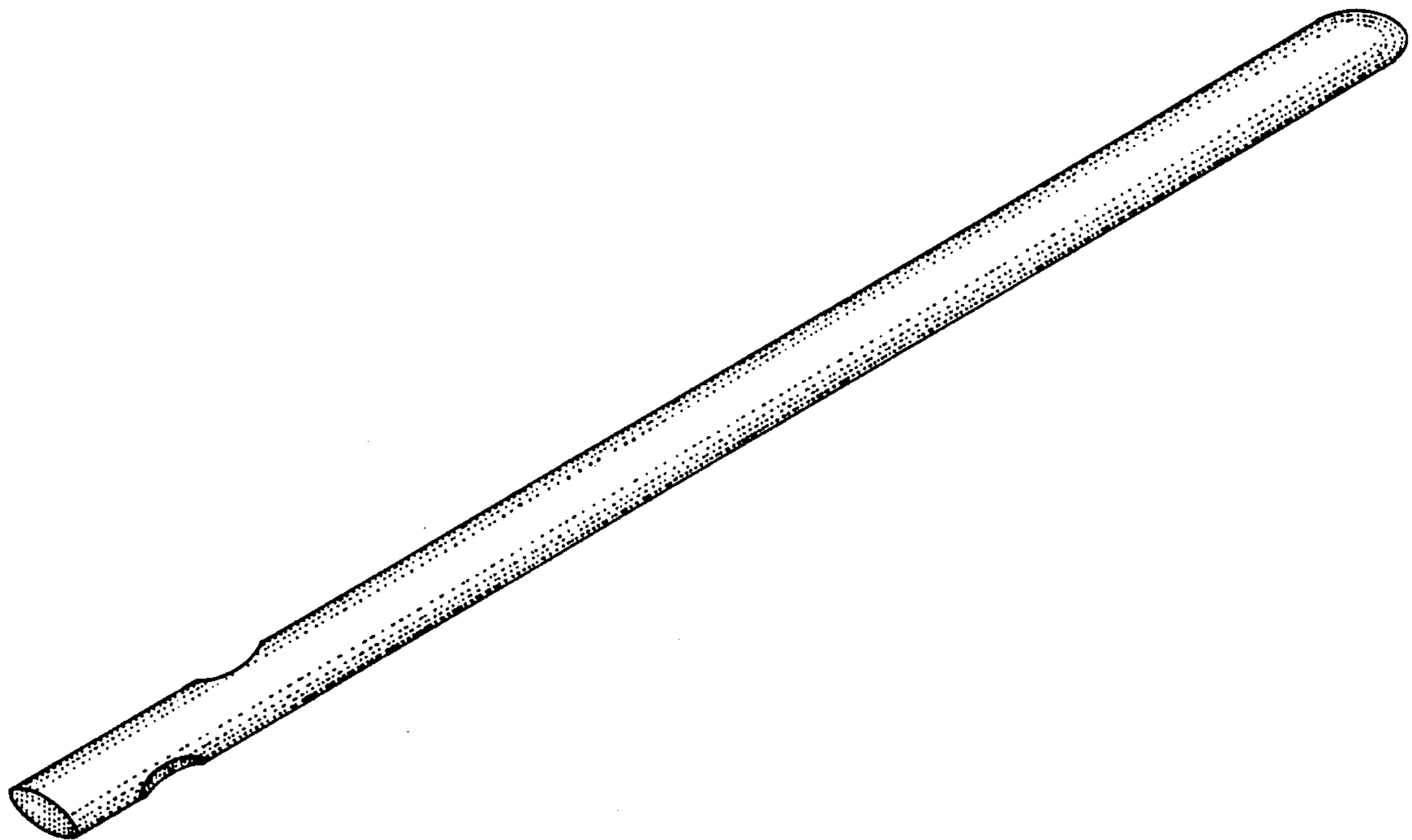
FIG. 2 is a top plan view thereof;

FIG. 3 is a front elevational view thereof;

FIG. 4 is a rear elevational view thereof;

FIG. 5 is a left side elevational view thereof; and,

FIG. 6 is a right side elevational view thereof.



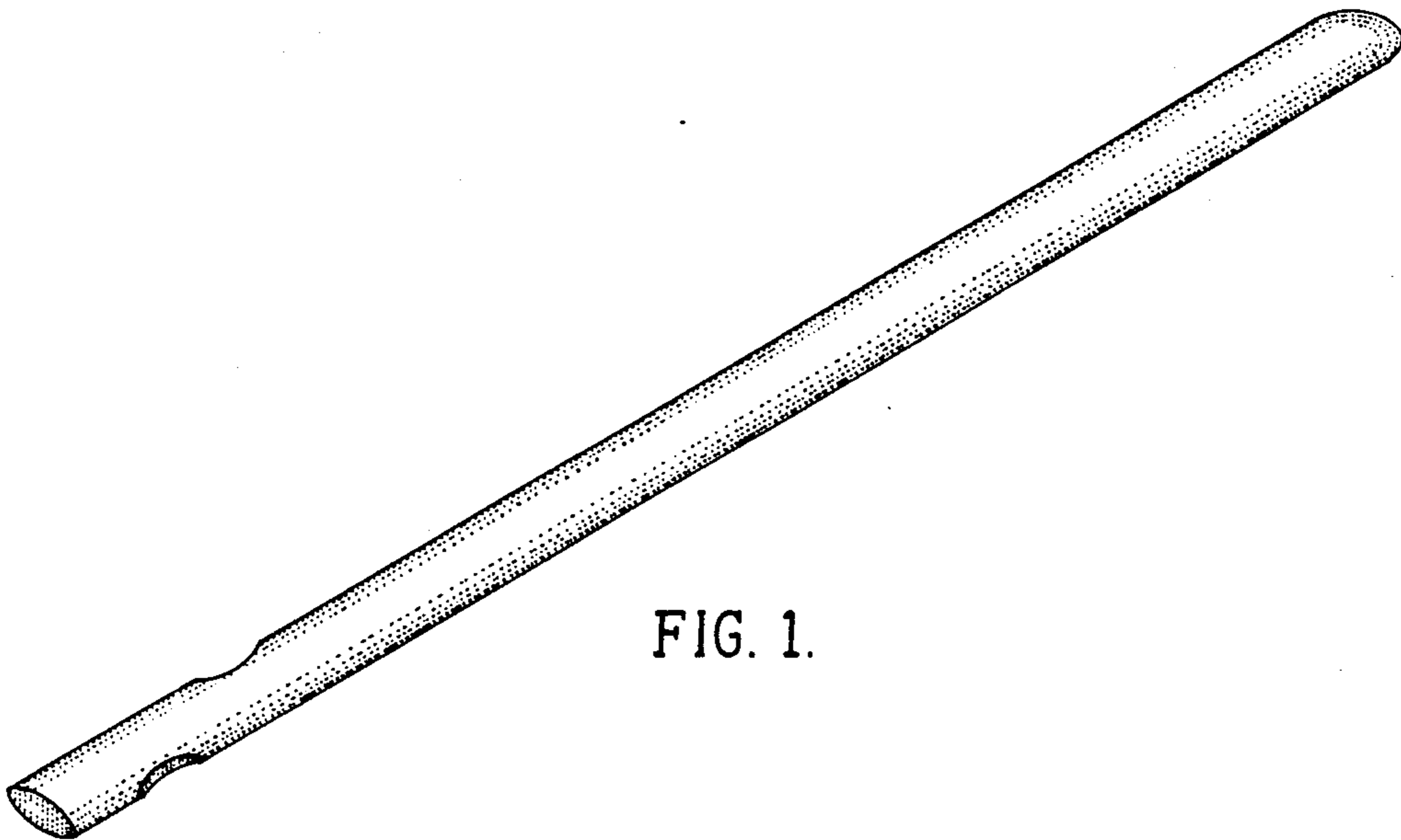


FIG. 1.

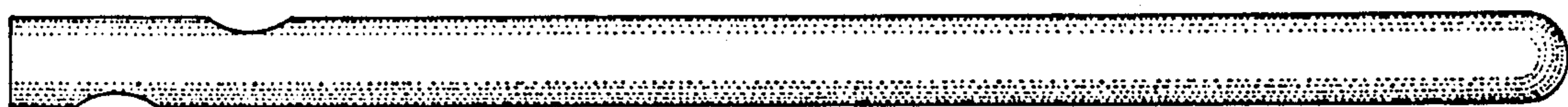


FIG. 2.



FIG. 3.



FIG. 4.



FIG. 5.



FIG. 6.