



US00D333080S

United States Patent [19]

[11] Patent Number: **Des. 333,080**

Fushiya et al.

[45] Date of Patent: **** Feb. 9, 1993**

[54] PORTABLE ELECTRIC DRILL

[75] Inventors: **Fusao Fushiya; Michio Okumura,**
both of Anjo, Japan

[73] Assignee: **Makita Electric Works, Ltd.,** Anjo,
Japan

[**] Term: **14 Years**

[21] Appl. No.: **655,976**

[22] Filed: **Feb. 15, 1991**

[30] Foreign Application Priority Data

Aug. 17, 1990 [JP] Japan 2-27799

[52] U.S. Cl. **D8/68**

[58] Field of Search **D8/61, 68; 81/57.11,**
81/57.14; 173/170; 408/124, 125; 310/50

[56] References Cited

U.S. PATENT DOCUMENTS

D. 300,718	4/1989	Fushiya et al.	D8/68
D. 301,968	7/1989	Kmetz	D8/68
D. 314,498	2/1991	Hoshino et al.	D8/68
D. 328,411	8/1992	Cavedo	D8/68

FOREIGN PATENT DOCUMENTS

536433 5/1980 Japan .

OTHER PUBLICATIONS

Japanese Catalog, printed Jun. 1980 and distributed in Japan.

Primary Examiner—Alan P. Douglas

Assistant Examiner—J. H. Musgrove

Attorney, Agent, or Firm—Dennison, Meserole, Pollack & Scheiner

[57] CLAIM

The ornamental design for a portable electric drill, as shown and described.

DESCRIPTION

FIG. 1 is a perspective view of a portable electric drill showing our new design;

FIG. 2 is a front elevational view thereof;

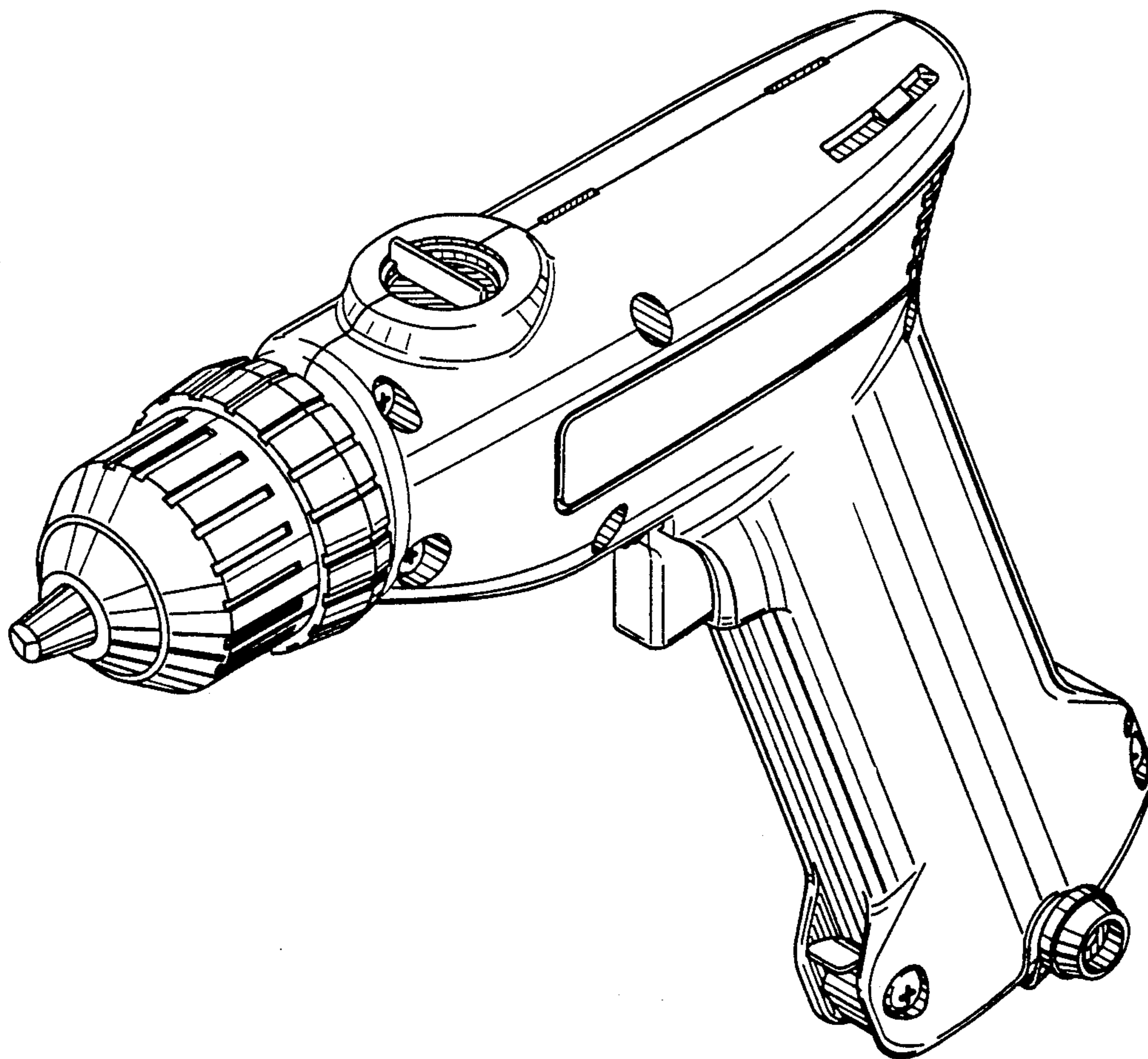
FIG. 3 is a rear elevational view thereof;

FIG. 4 is a left side elevational view thereof;

FIG. 5 is a right side elevational view thereof;

FIG. 6 is a top plan view thereof; and,

FIG. 7 is a bottom plan view thereof.



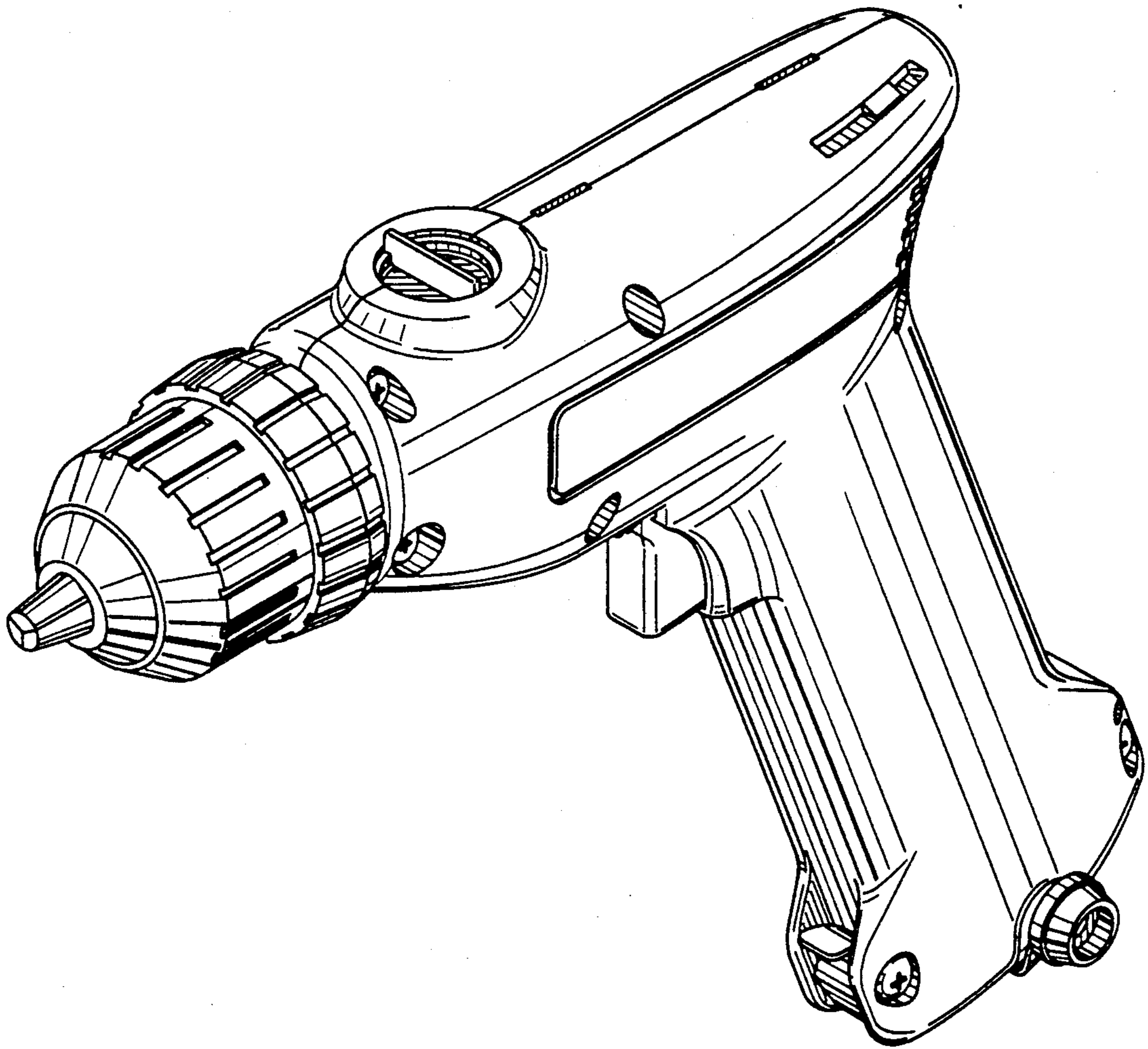


FIG. 1

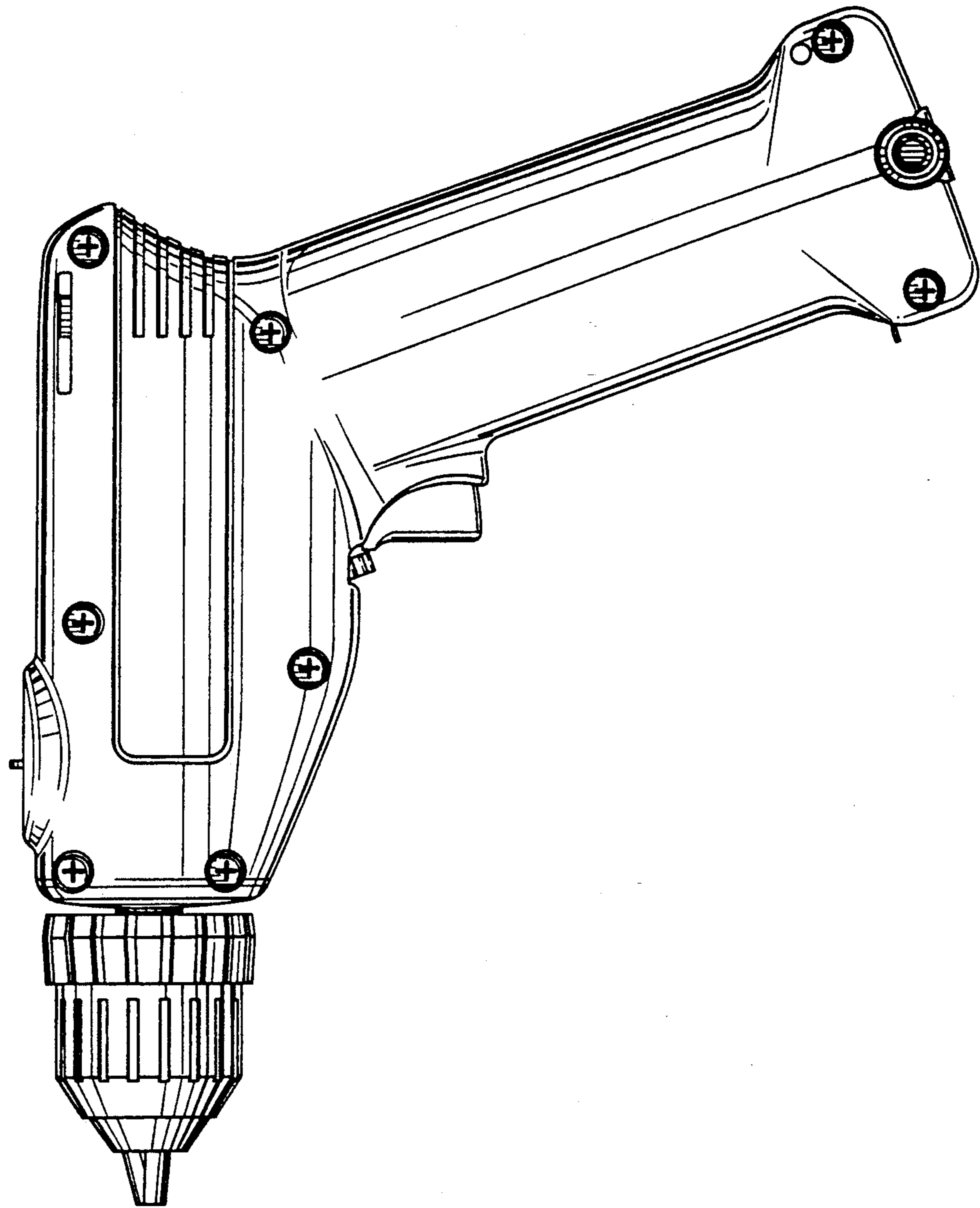


FIG. 2

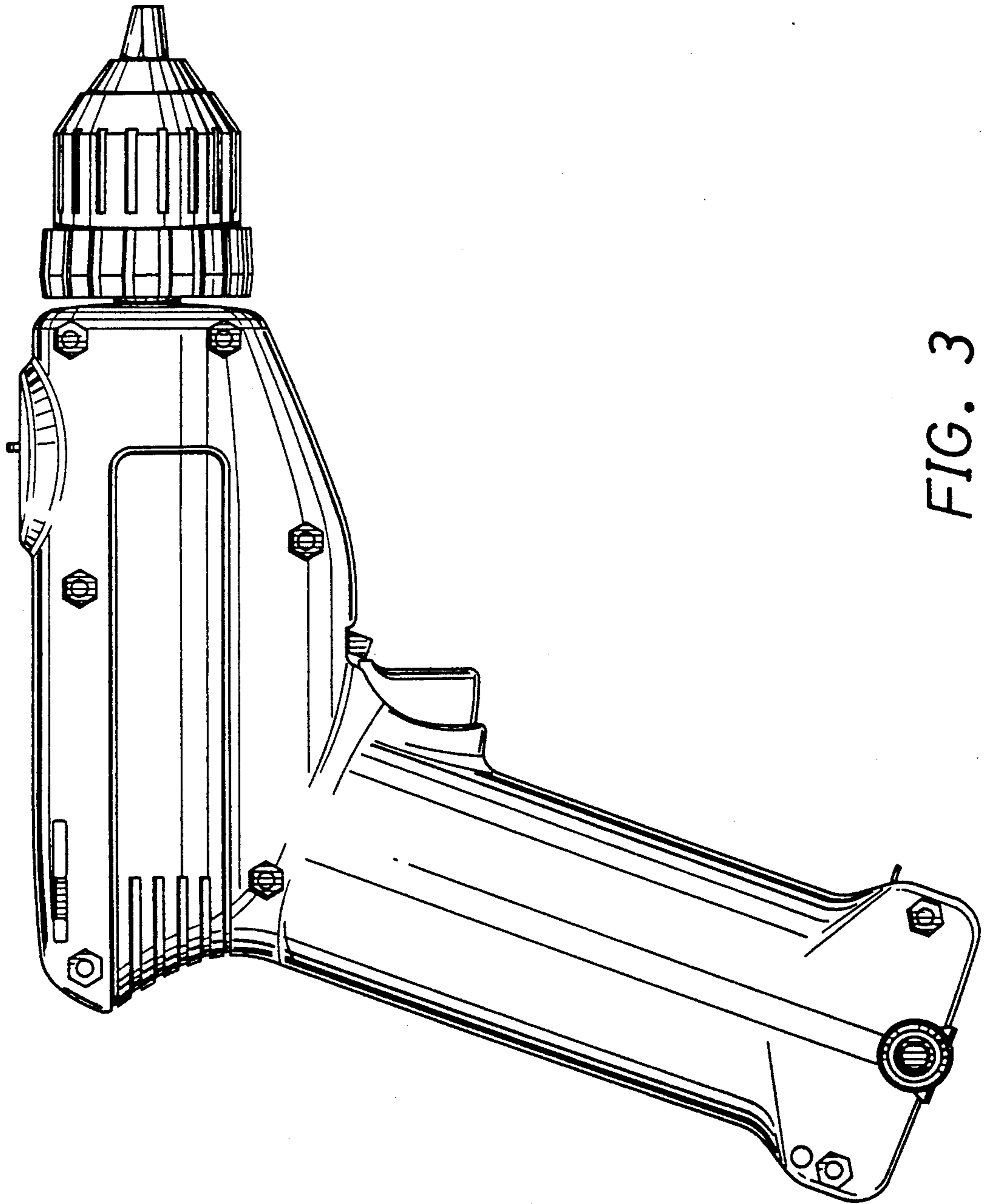


FIG. 3

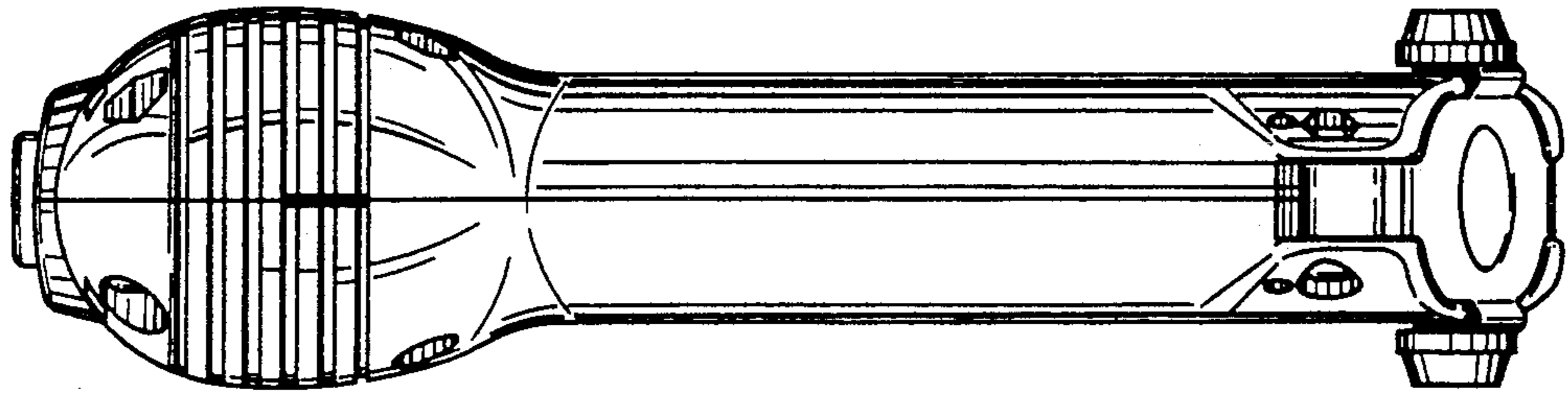


FIG. 4

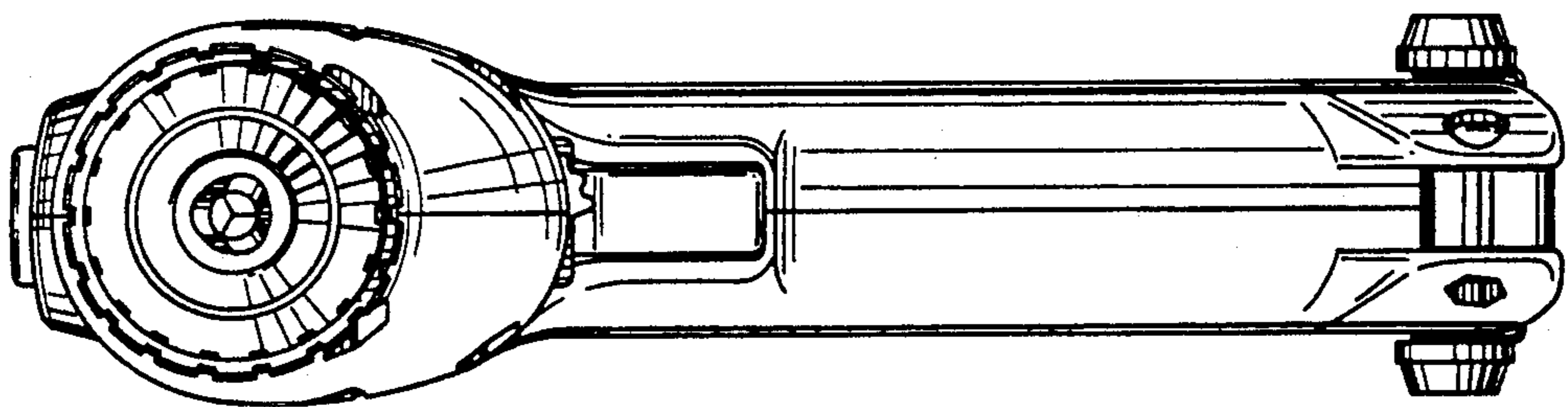


FIG. 5

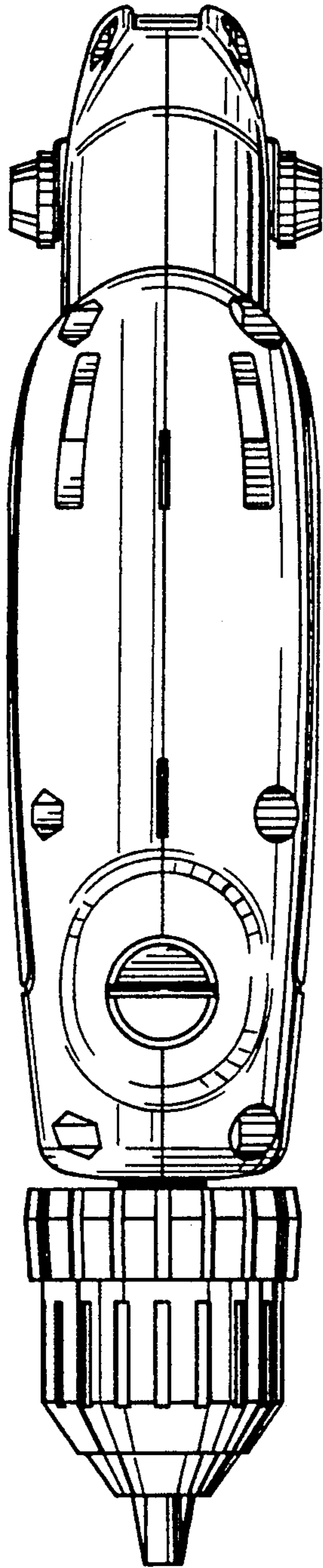


FIG. 6

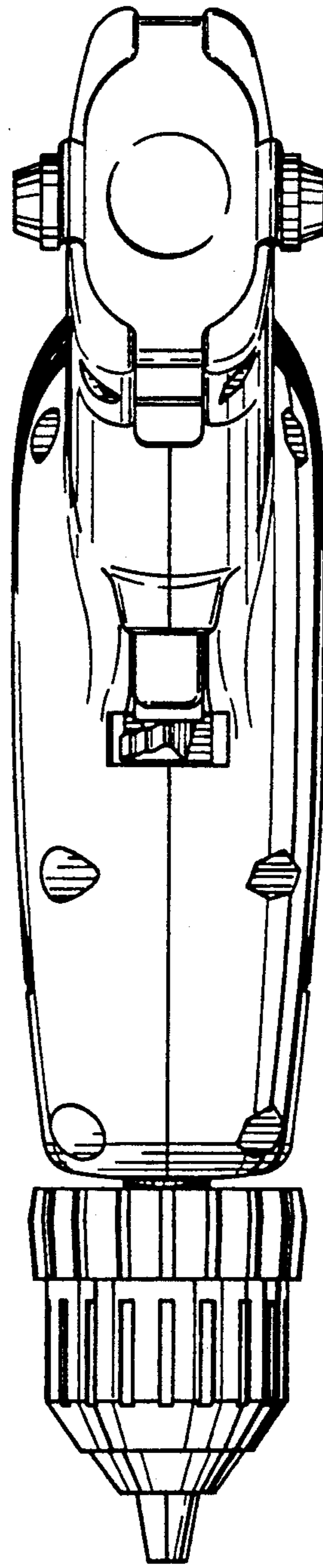


FIG. 7