



US00D333079S

# United States Patent [19]

Mikiya

[11] Patent Number: **Des. 333,079**

[45] Date of Patent: **\*\* Feb. 9, 1993**

[54] **PORTABLE VIBRATING CHISEL**

[75] Inventor: **Toshio Mikiya, Tokyo, Japan**

[73] Assignee: **Nitto Kohki Co., Ltd., Tokyo, Japan**

[\*\*] Term: **14 Years**

[21] Appl. No.: **634,072**

[22] Filed: **Dec. 26, 1990**

[52] U.S. Cl. .... **D8/68**

[58] Field of Search ..... **D8/61, 68, 67;**  
**81/57.14, 57.11, 463, 464; 125/41; 173/48, 93.5,**  
**93, 91**

[56] **References Cited**

**U.S. PATENT DOCUMENTS**

- D. 292,368 10/1987 Mikiya ..... D8/61
- D. 293,073 12/1987 Kurihara ..... D8/61

- D. 299,411 1/1989 Porcaro ..... D8/68
- 4,368,784 1/1983 Wunsch et al. .... 81/464 X

*Primary Examiner*—Alan P. Douglas  
*Assistant Examiner*—J. H. Musgrove  
*Attorney, Agent, or Firm*—Wenderoth, Lind & Ponack

[57] **CLAIM**

The ornamental design for portable vibrating chisel, as shown.

**DESCRIPTION**

FIG. 1 is a top, front and right-side perspective view of a portable vibrating chisel showing my new design; FIG. 2 is a right side elevational view; FIG. 3 is a top plan view thereof; FIG. 4 is a bottom plan view; FIG. 5 is a front elevational view; FIG. 6 is a rear elevational view; and, FIG. 7 is a left side elevational view thereof.

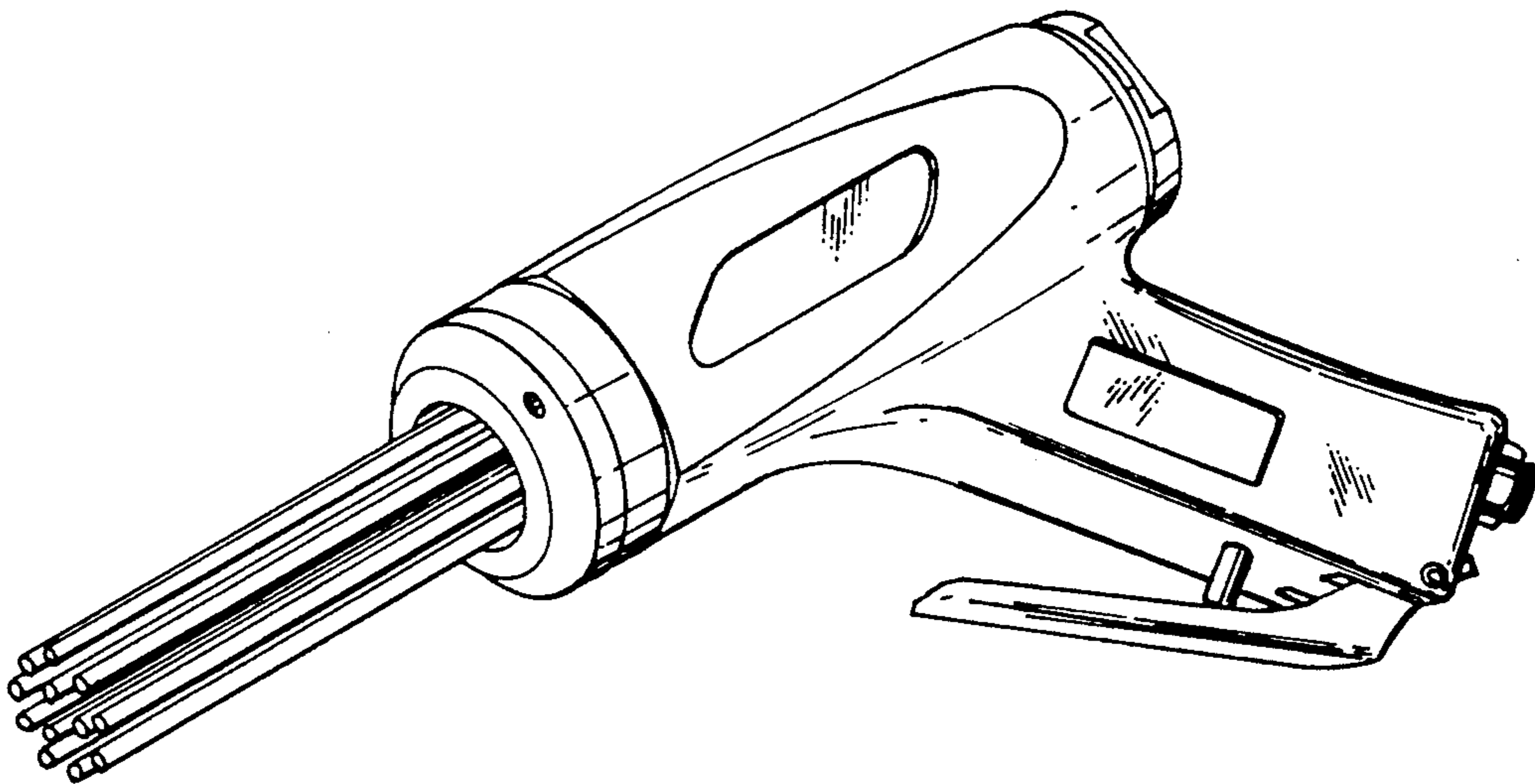


FIG. 1

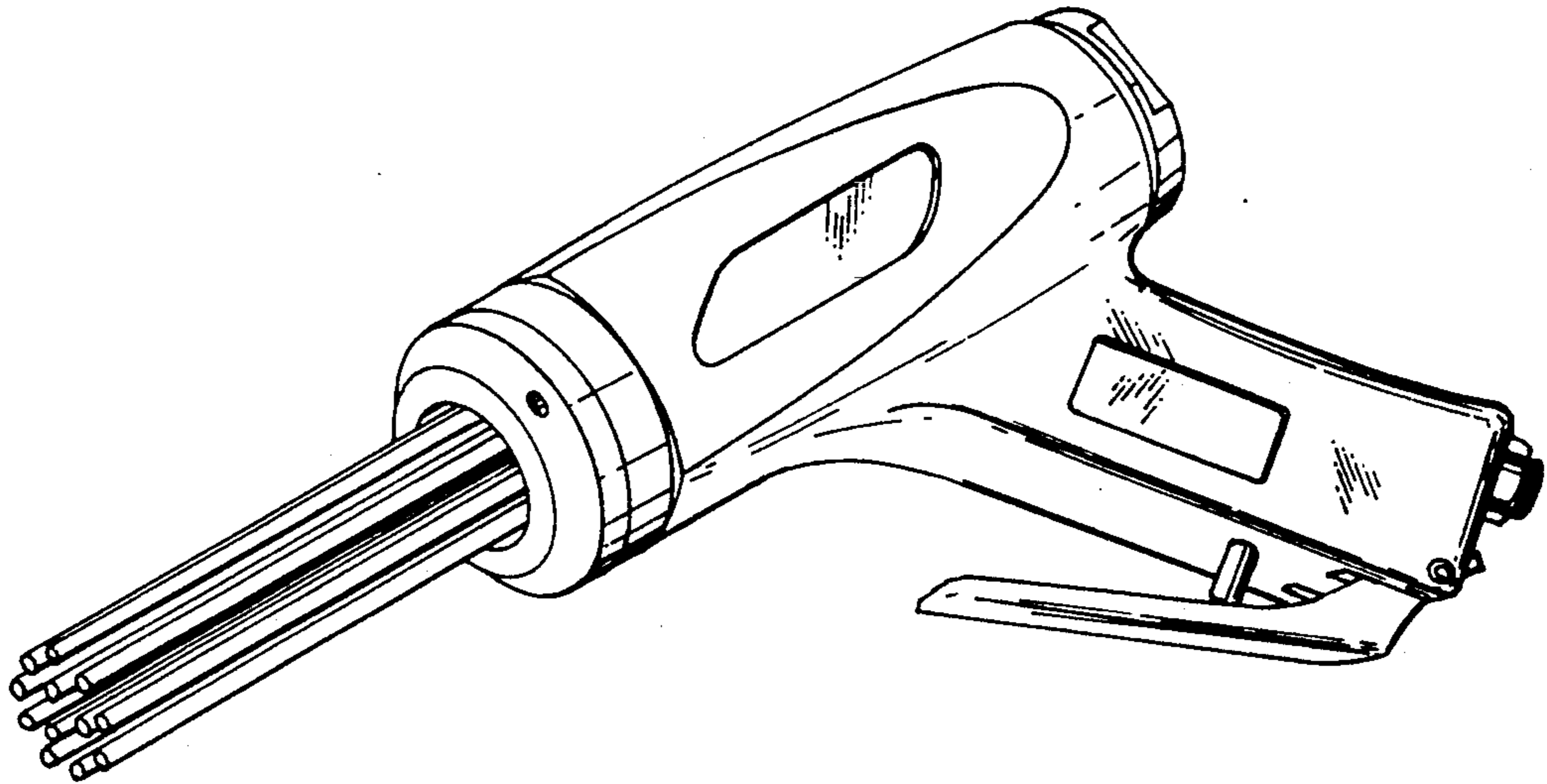


FIG. 2

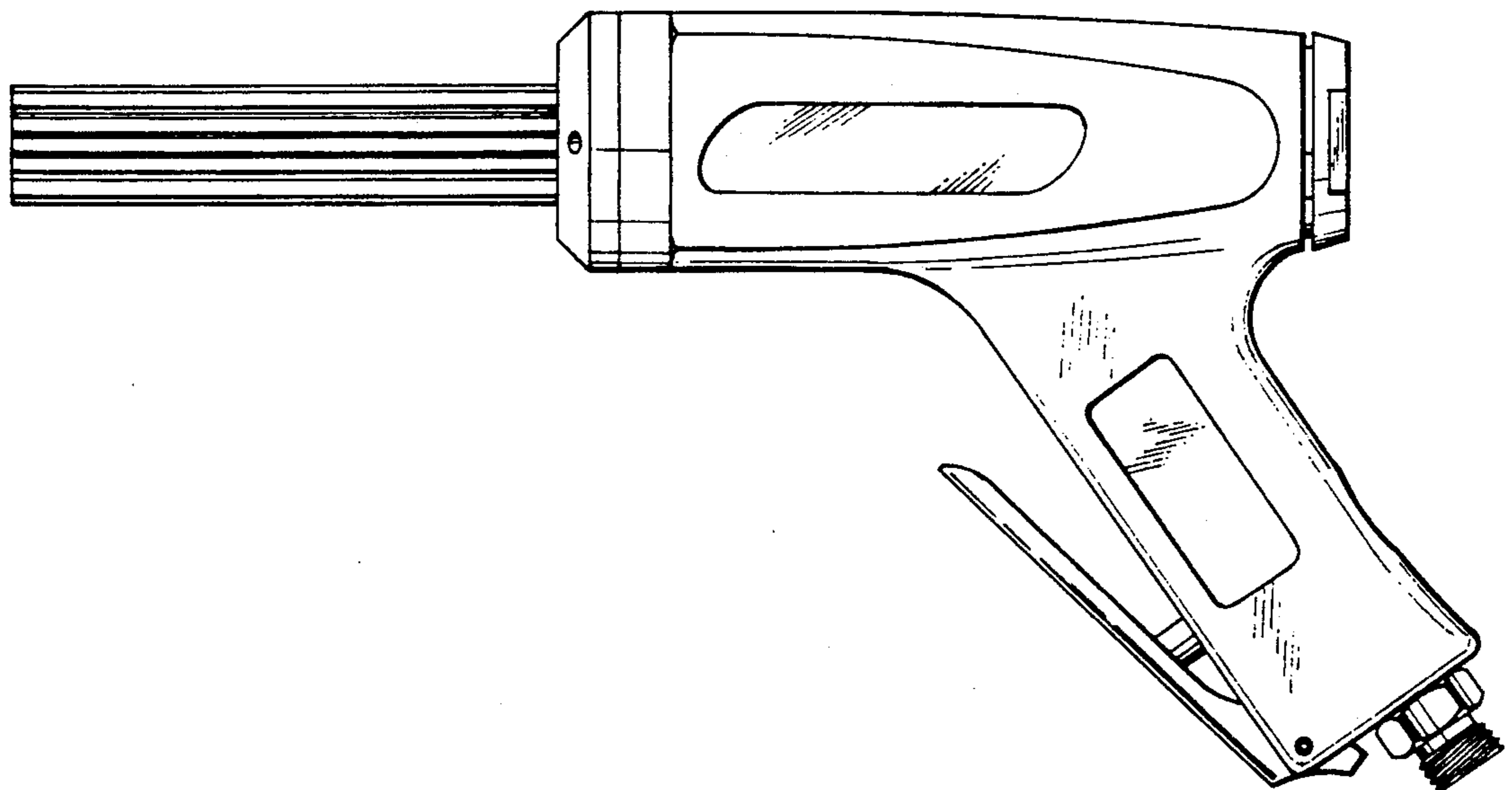


FIG. 3

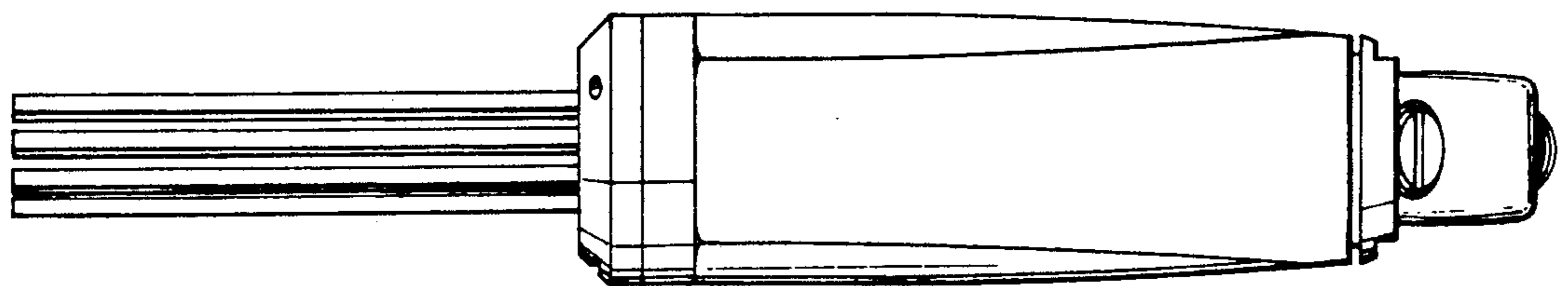


FIG. 4

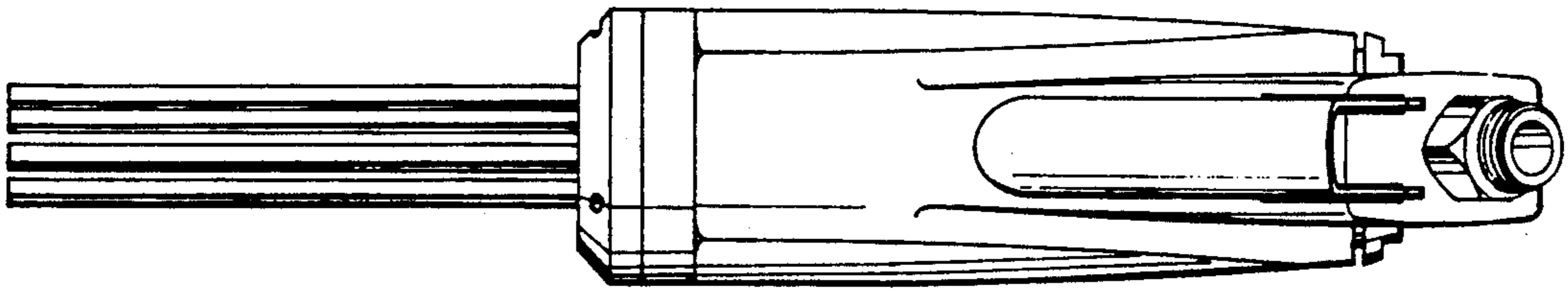


FIG. 5

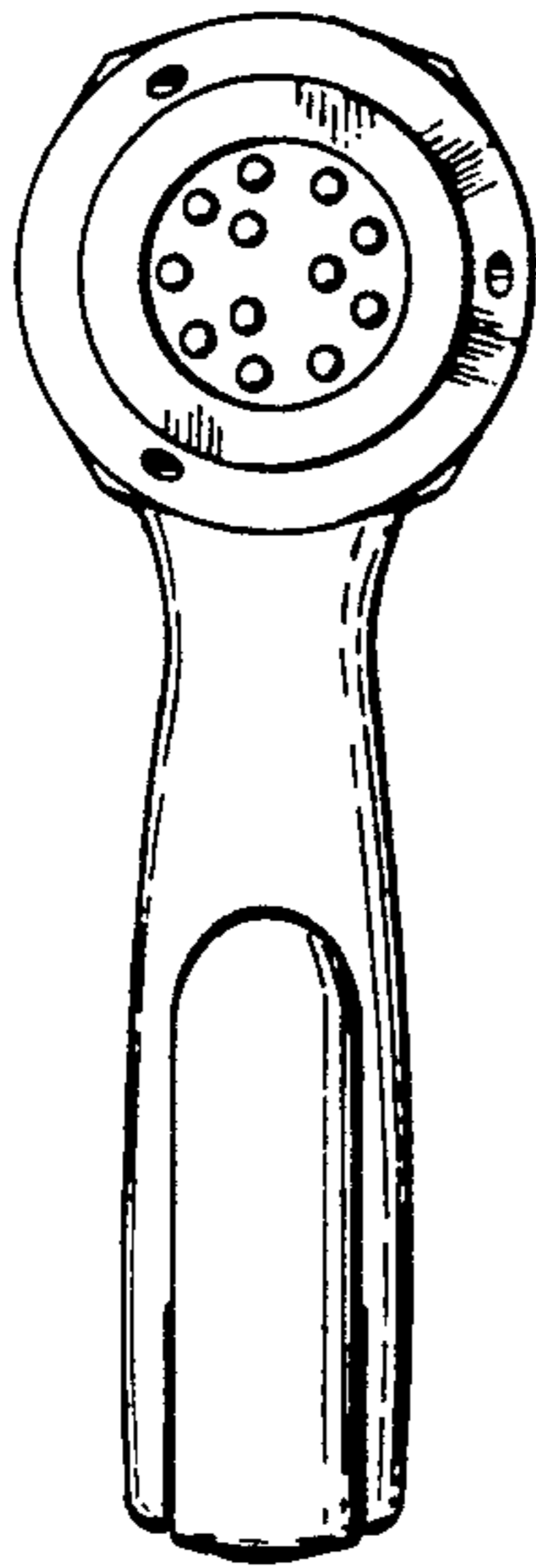


FIG. 6

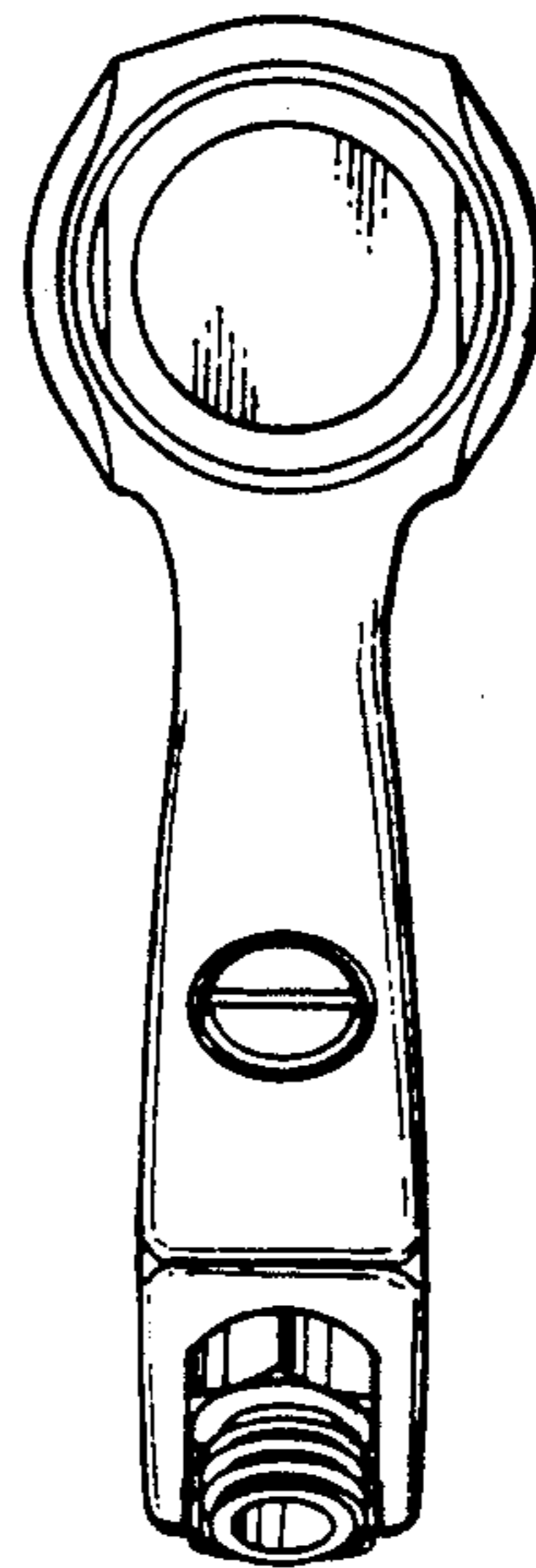


FIG. 7

