



US00D333076S

United States Patent [19]

[11] Patent Number: **Des. 333,076**

Fushiya et al.

[45] Date of Patent: **** Feb. 9, 1993**

[54] **PORTABLE ELECTRIC WRENCH**

5,103,696 4/1992 Beuke 81/57.39
5,142,951 9/1992 Walton 81/57.39

[75] Inventors: **Fusao Fushiya; Shigeki Yamauchi,**
both of Anjo, Japan

FOREIGN PATENT DOCUMENTS

[73] Assignee: **Makita Electric Works, Ltd.,** Anjo,
Japan

D635812 7/1984 Japan .

[**] Term: **14 Years**

Primary Examiner—Alan P. Douglas
Assistant Examiner—J. H. Musgrove
Attorney, Agent, or Firm—Dennison, Meserole, Pollack
& Scheiner

[21] Appl. No.: **665,717**

[22] Filed: **Mar. 7, 1991**

[57] CLAIM

[30] Foreign Application Priority Data

Sep. 13, 1990 [JP] Japan 2-31000

The ornamental design for a portable electric wrench,
as shown and described.

[52] U.S. Cl. **D8/61**

[58] Field of Search D8/61; 81/57, 57.13,
81/57.14, 57.29, 57.39, 57.40

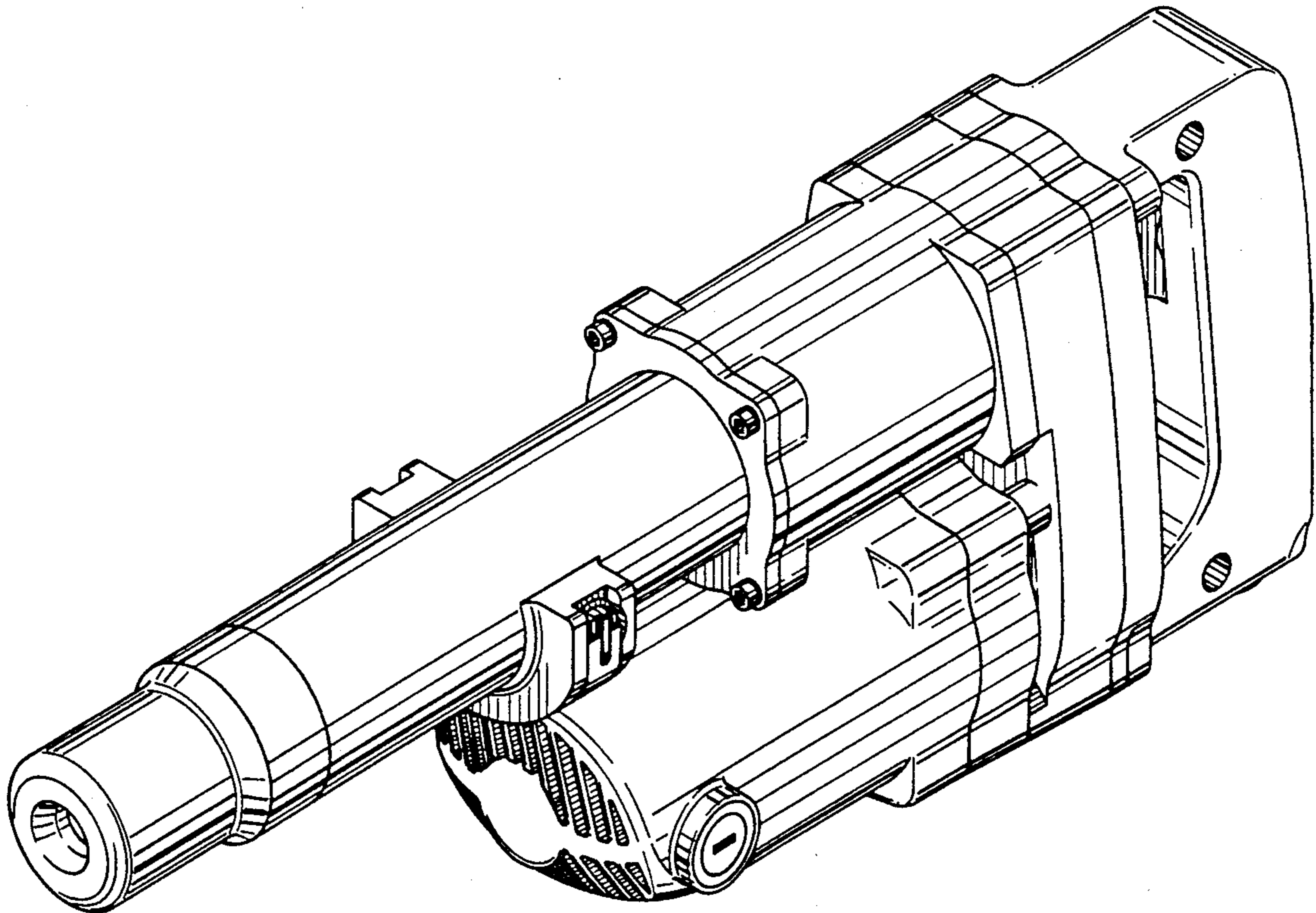
DESCRIPTION

[56] References Cited

U.S. PATENT DOCUMENTS

4,179,955 12/1979 Akiyoshi et al. 81/57.13
4,538,484 9/1985 Hardy et al. 81/57.14

FIG. 1 is a perspective view of a portable electric wrench showing our new design;
FIG. 2 is a front elevational view thereof;
FIG. 3 is a rear elevational view thereof;
FIG. 4 is a left side elevational view thereof;
FIG. 5 is a right side elevational view thereof;
FIG. 6 is a top plan view thereof; and,
FIG. 7 is a bottom plan view thereof.



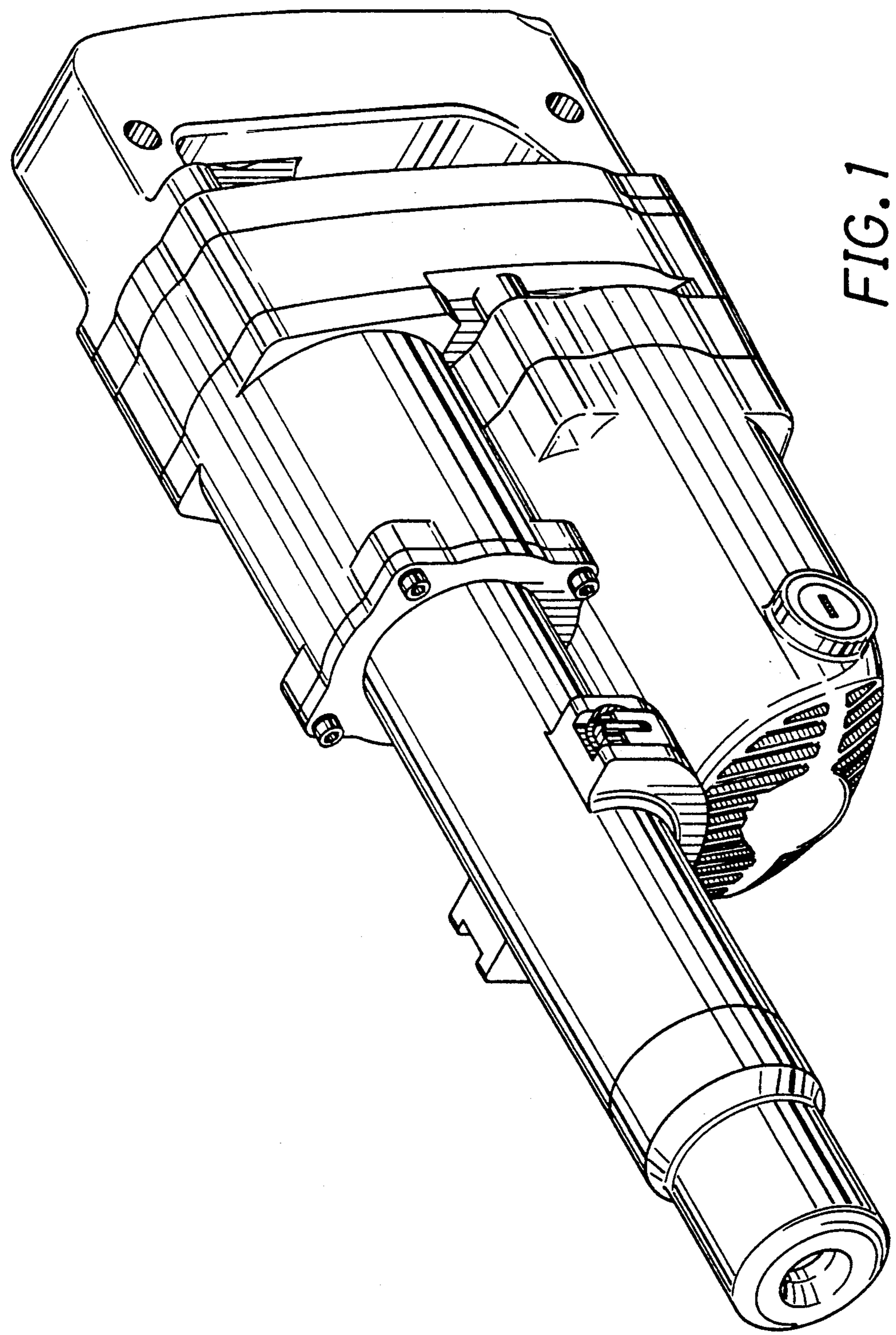


FIG. 1

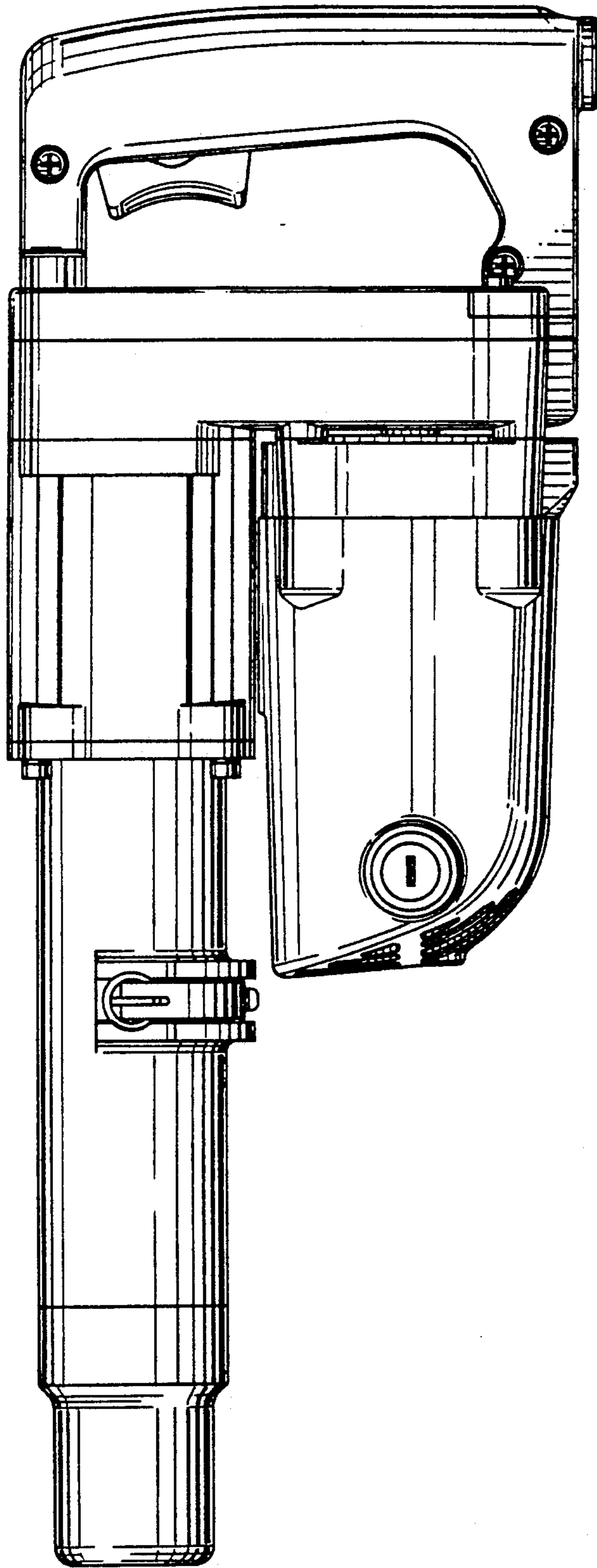


FIG. 2

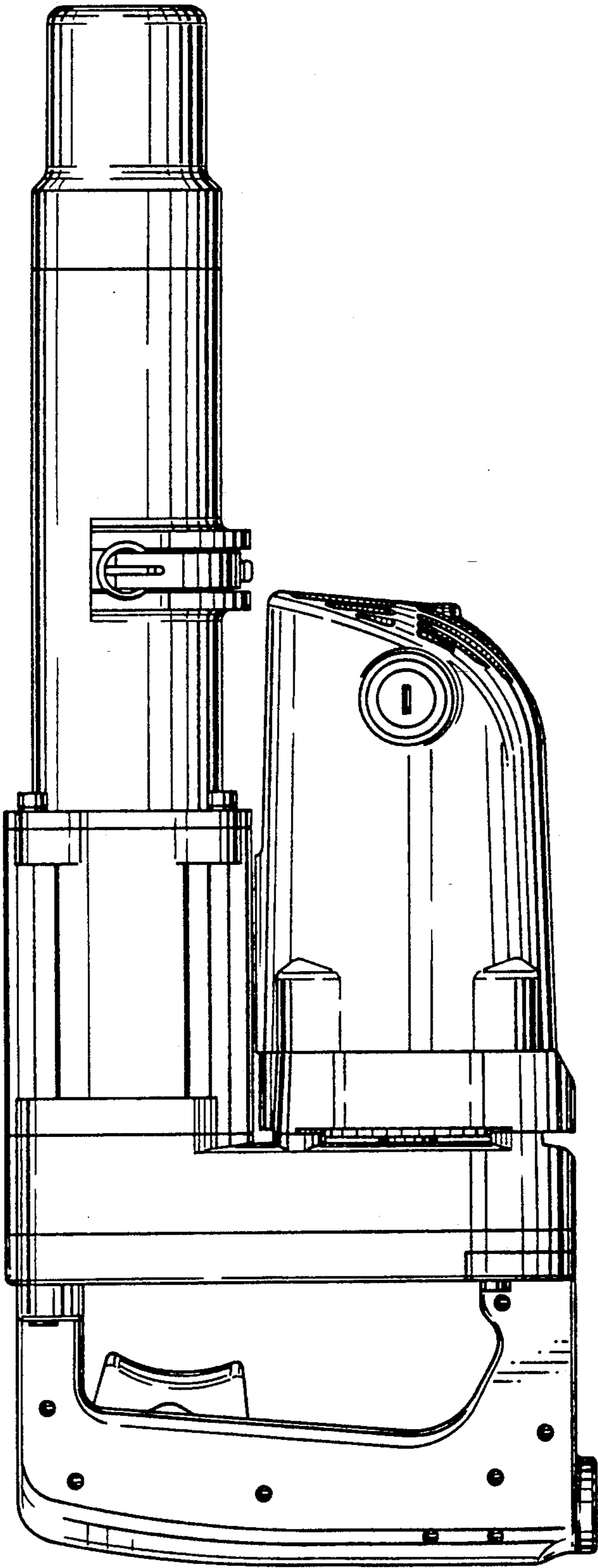


FIG. 3

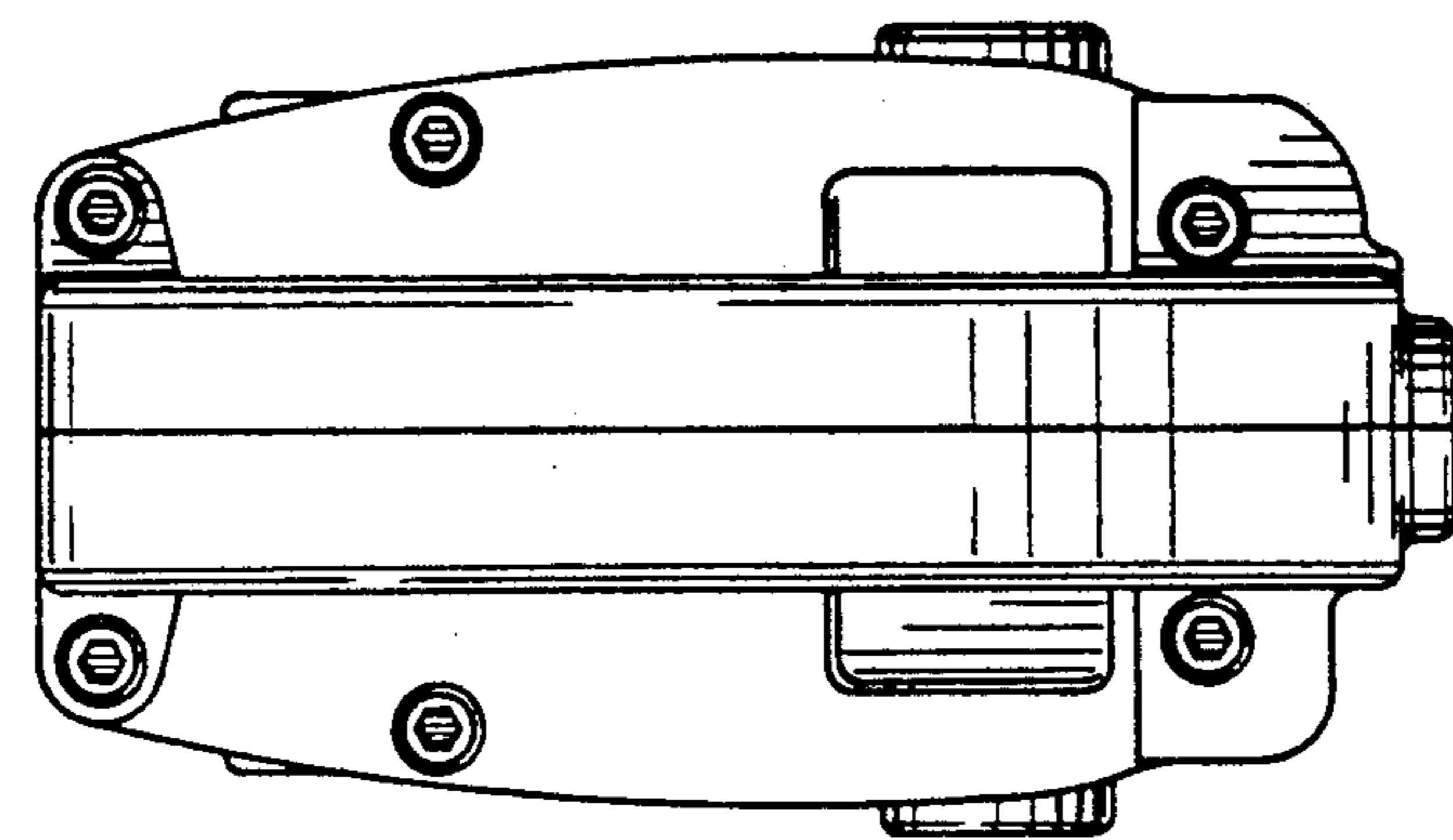


FIG. 5

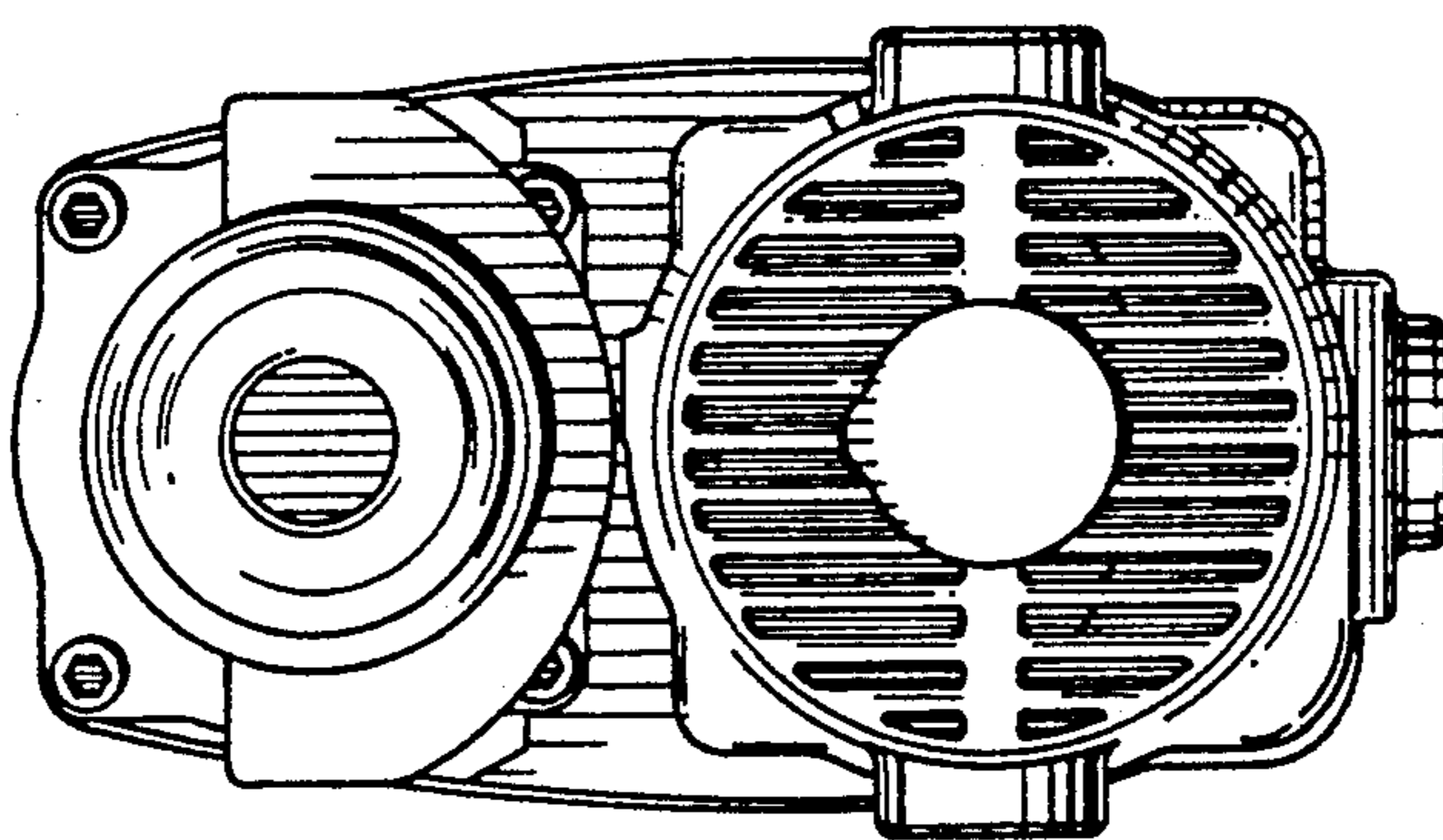


FIG. 4

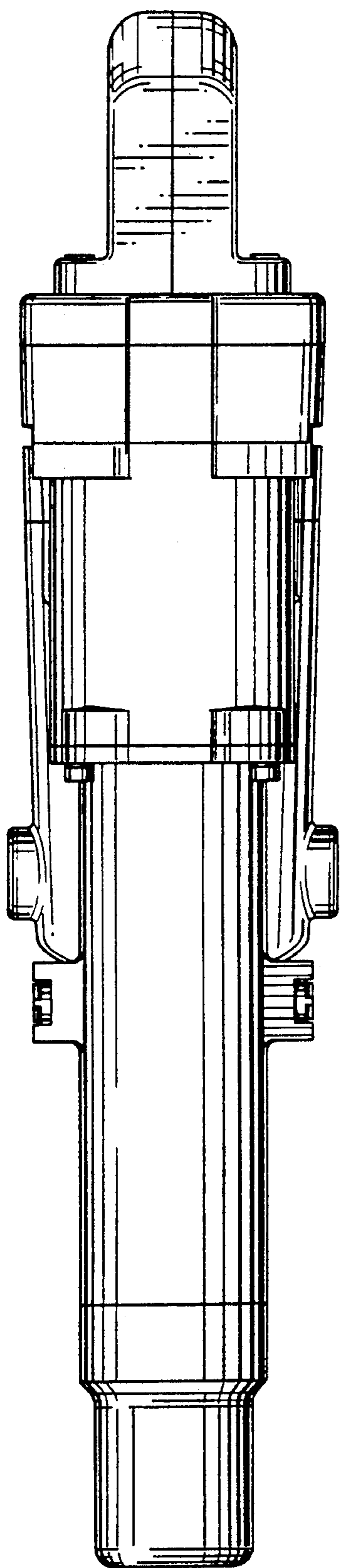


FIG. 6

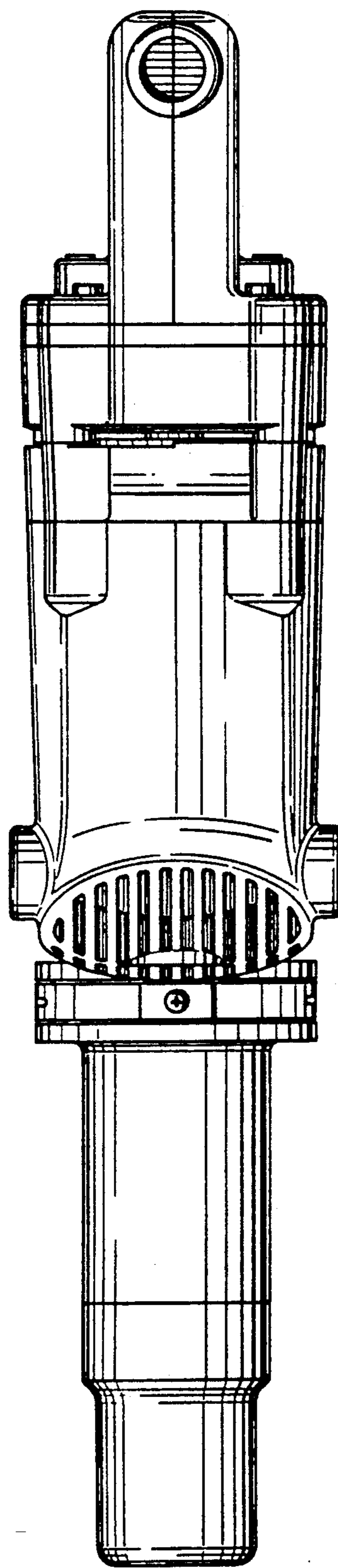


FIG. 7