



US00D333074S

United States Patent [19]
Ciccarelli

[11] **Patent Number: Des. 333,074**
[45] **Date of Patent: ** Feb. 9, 1993**

[54] **SHOVEL**

[76] **Inventor: Sam M. Ciccarelli, 795 E. Linden Ave., Lake Forest, Ill. 60045**

[**] **Term: 14 Years**

[21] **Appl. No.: 584,885**

[22] **Filed: Sep. 19, 1990**

[52] **U.S. Cl. D8/10**

[58] **Field of Search D8/10; 294/49, 54.5, 294/55, 59**

[56] **References Cited**

U.S. PATENT DOCUMENTS

2,933,836	4/1960	McKinley	294/59 X
3,024,547	3/1962	Harrison .	
4,198,090	4/1980	Gutman	294/59
4,214,385	7/1980	Baranowski .	

OTHER PUBLICATIONS

Union Fork and Hoe Company, Dec. 4, 1986, p. 21, snow pusher, item no. 2 on left side of page.

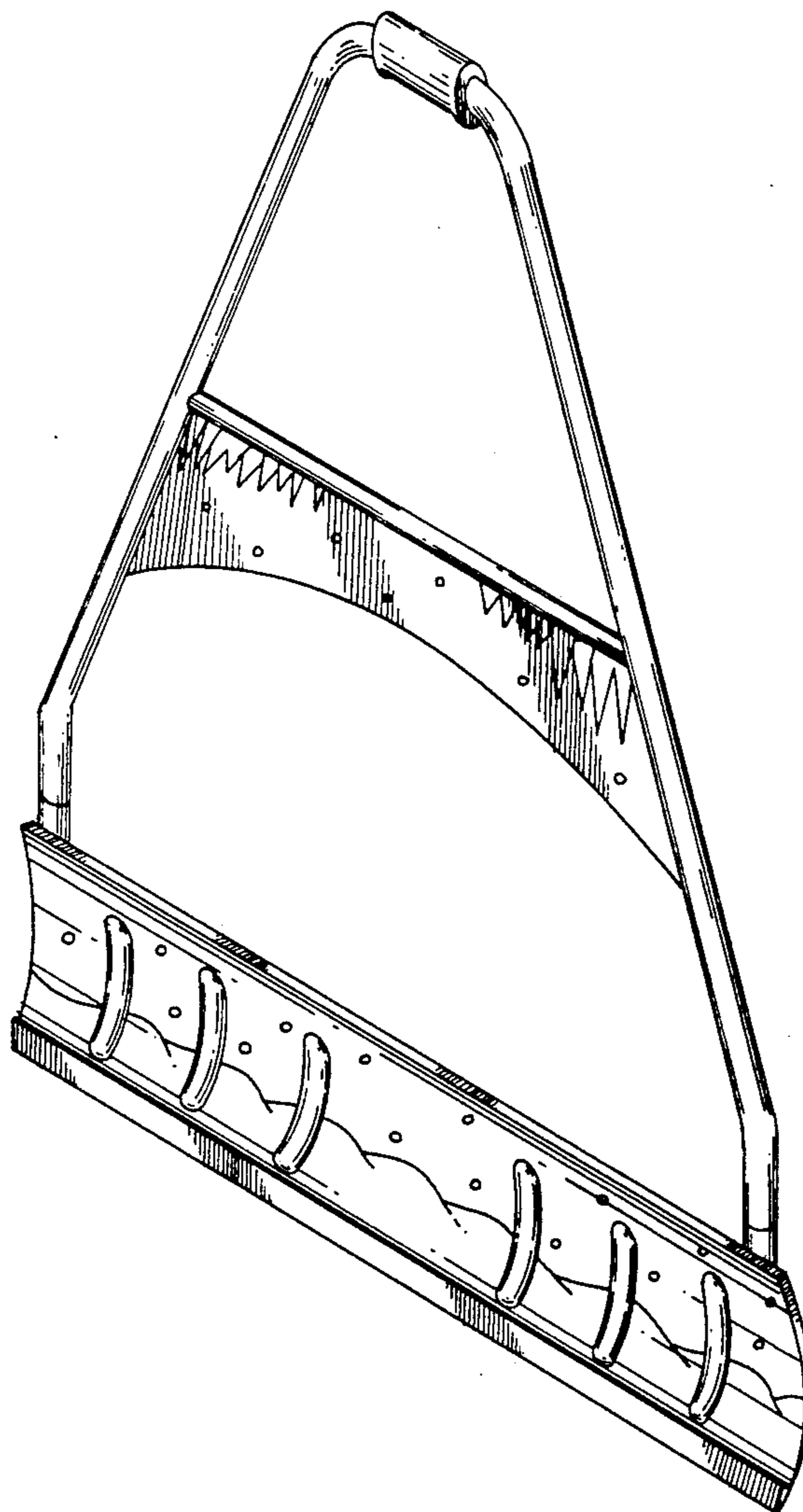
Primary Examiner—Wallace R. Burke
Assistant Examiner—H. Baynham
Attorney, Agent, or Firm—Terry M. Gernstein

[57] **CLAIM**

The ornamental design for a shovel, as shown and described.

DESCRIPTION

FIG. 1 is a perspective view of a shovel showing my new design;
FIG. 2 is a front elevational view thereof;
FIG. 3 is a rear elevational view thereof;
FIG. 4 is a side elevational view thereof, the side opposite being a mirror image of the side shown in FIG. 4;
FIG. 5 is a top plan view thereof; and,
FIG. 6 is a bottom view thereof.



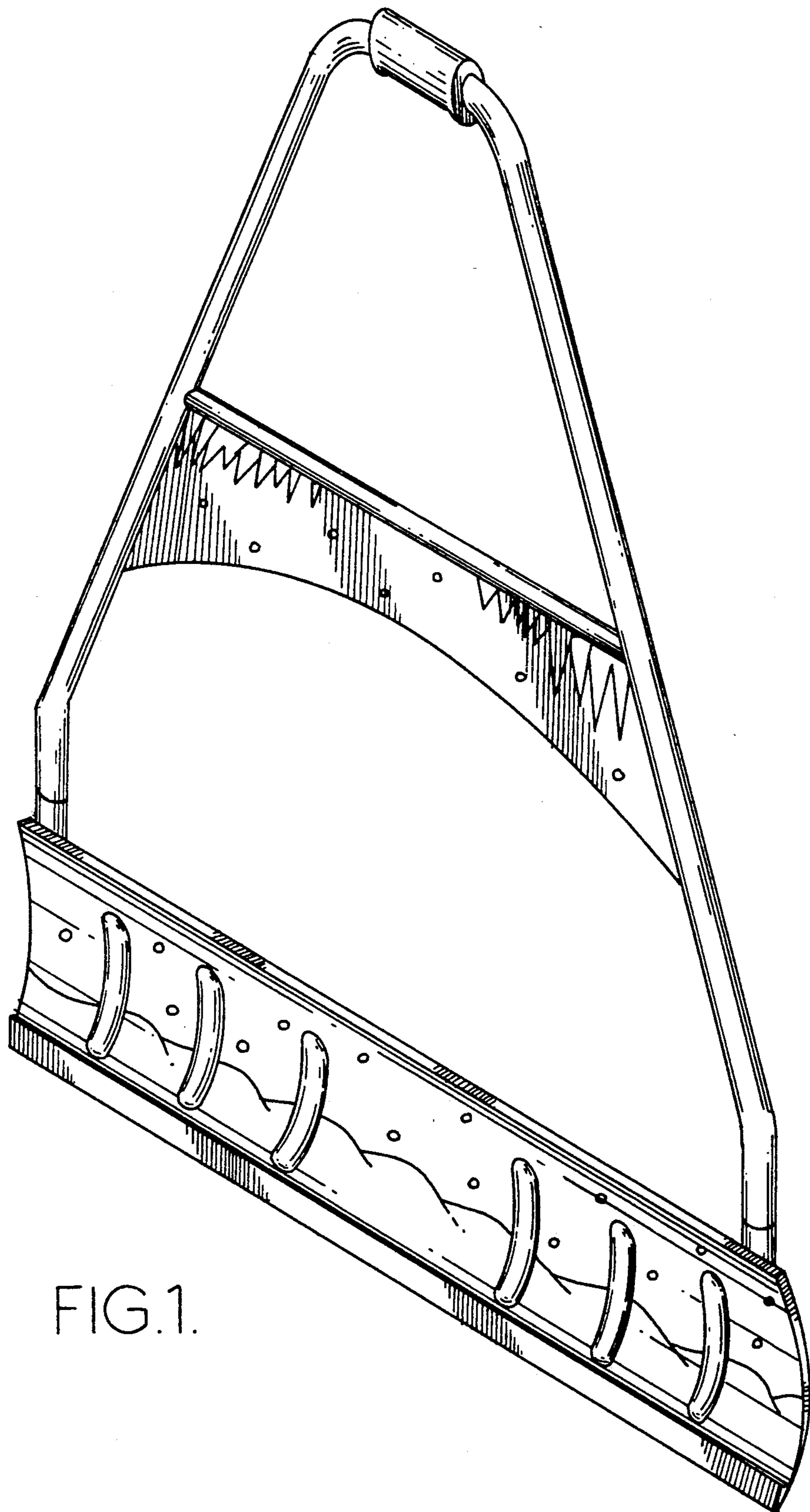


FIG. 1.

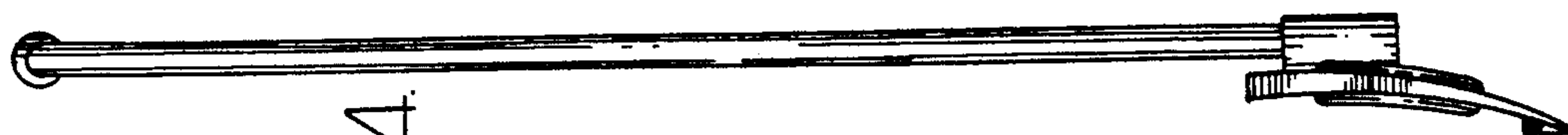


FIG. 4.

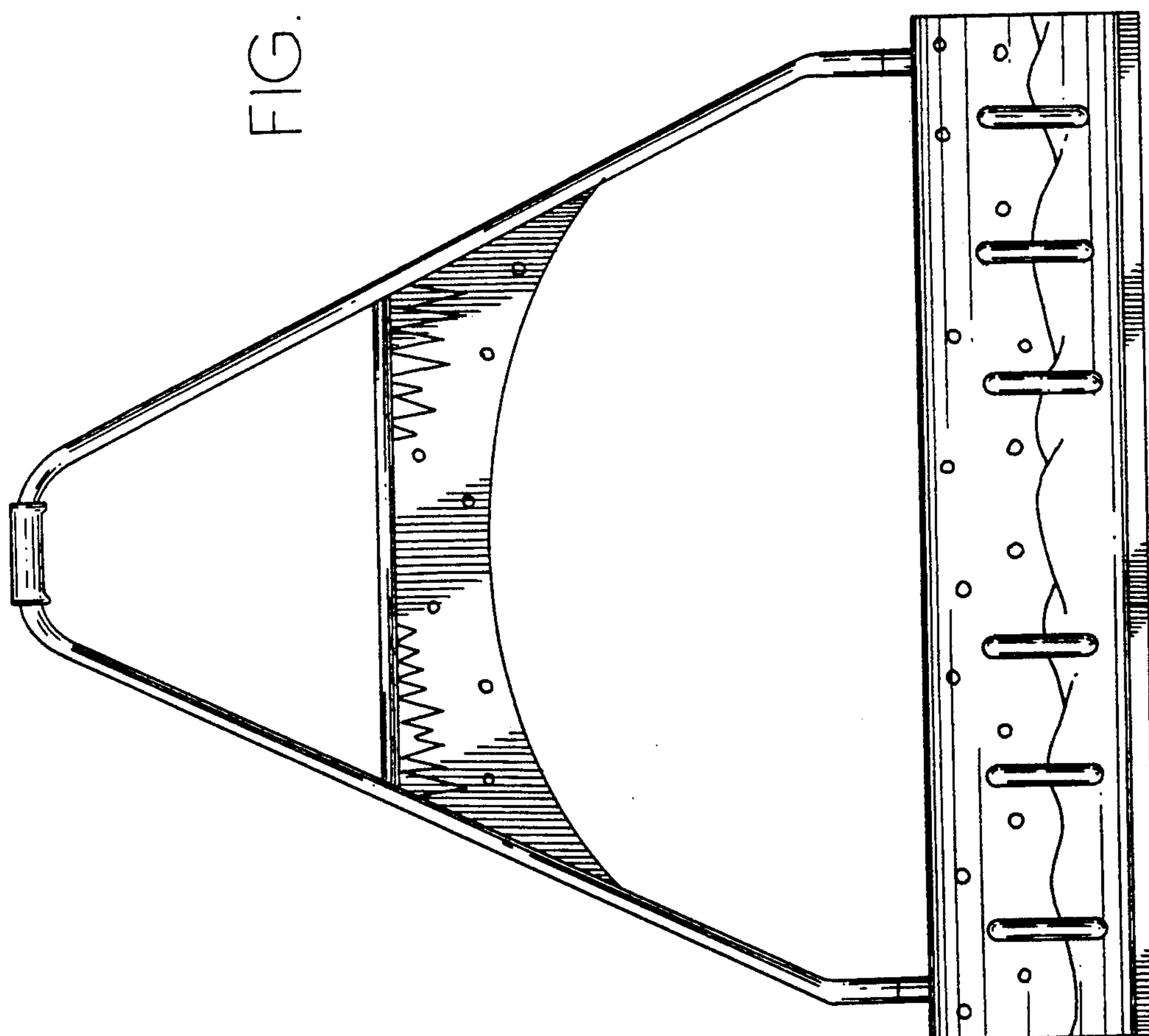


FIG. 2.

FIG. 3.

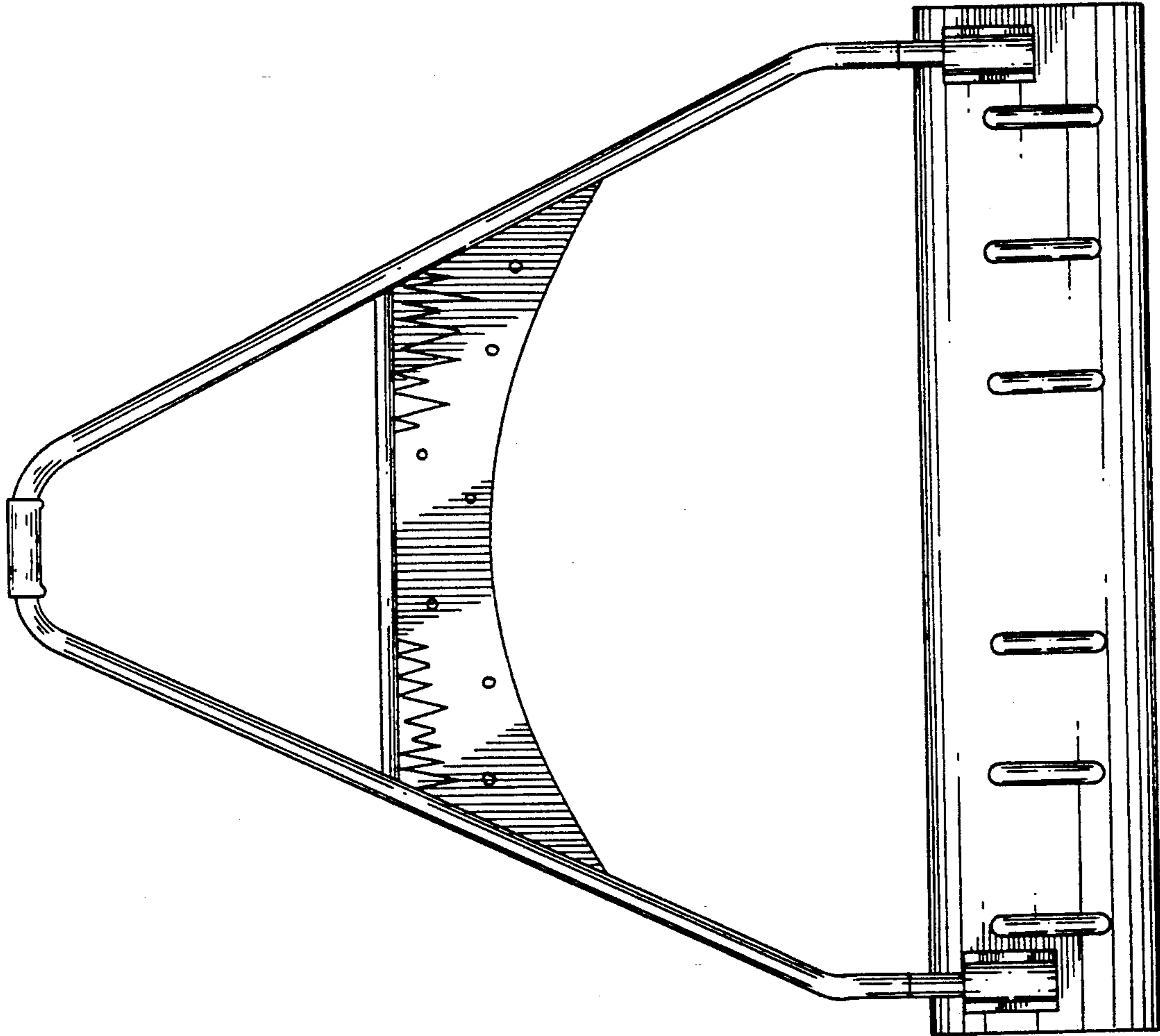




FIG. 5.



FIG. 6.