



US00D333066S

United States Patent [19]

[11] Patent Number: **Des. 333,066**

Kimpson

[45] Date of Patent: **** Feb. 9, 1993**

[54] **DRINKING CUP**

[75] Inventor: **Rebecca J. Kimpson, Lithonia, Ga.**

[73] Assignee: **Concept 8, Inc., Lithonia, Ga.**

[**] Term: **14 Years**

[21] Appl. No.: **764,394**

[22] Filed: **Sep. 23, 1991**

[52] U.S. Cl. **D7/509**

[58] Field of Search **D7/509, 523, 527, 531, D7/533, 510, 532; D11/155; 215/99.5, 230, 100 R**

D. 196,271 9/1963 Edwards **D7/523 X**
 3,045,887 7/1962 Caine **D7/531 X**
 5,009,338 4/1991 Barkar **215/230**

Primary Examiner—Nelson C. Holtje
Assistant Examiner—M. N. Pandozzi
Attorney, Agent, or Firm—Kennedy & Kennedy

[57] CLAIM

The ornamental design for a drinking cup, as shown.

DESCRIPTION

FIG. 1 is a top perspective view of a drinking cup showing my new design;
 FIG. 2 is a top plan view thereof;
 FIG. 3 is a bottom plan view thereof;
 FIG. 4 is a front elevational view thereof;
 FIG. 5 is a right side elevational view thereof;
 FIG. 6 is a rear elevational view thereof; and,
 FIG. 7 is a left side elevational view thereof.

[56] **References Cited**
U.S. PATENT DOCUMENTS

D. 90,060 6/1933 Barbiers **D7/530**
 D. 163,673 6/1951 Bliss **D7/523**
 D. 170,289 8/1953 Skipp **D7/523 X**

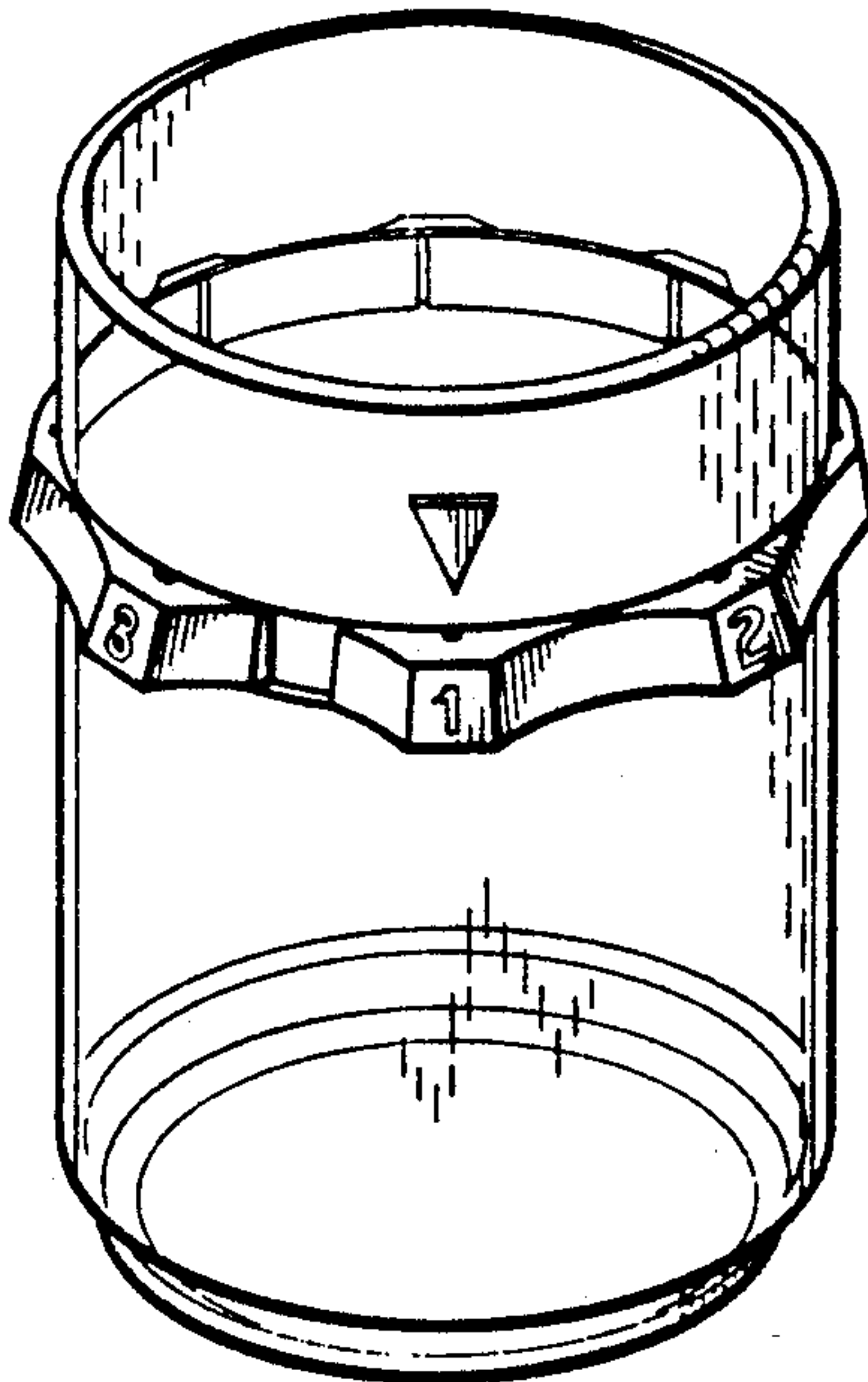


FIG 1

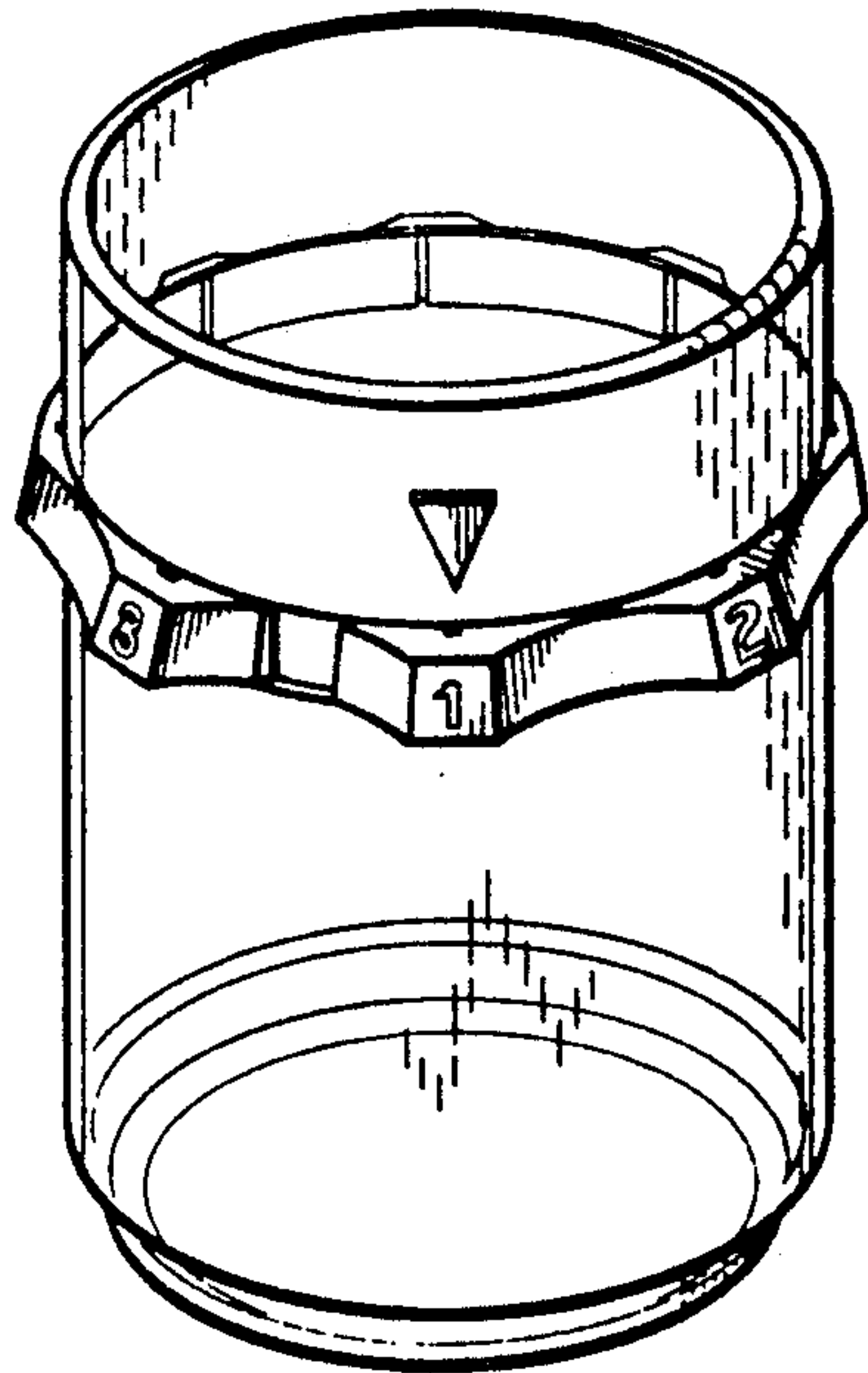


FIG 2

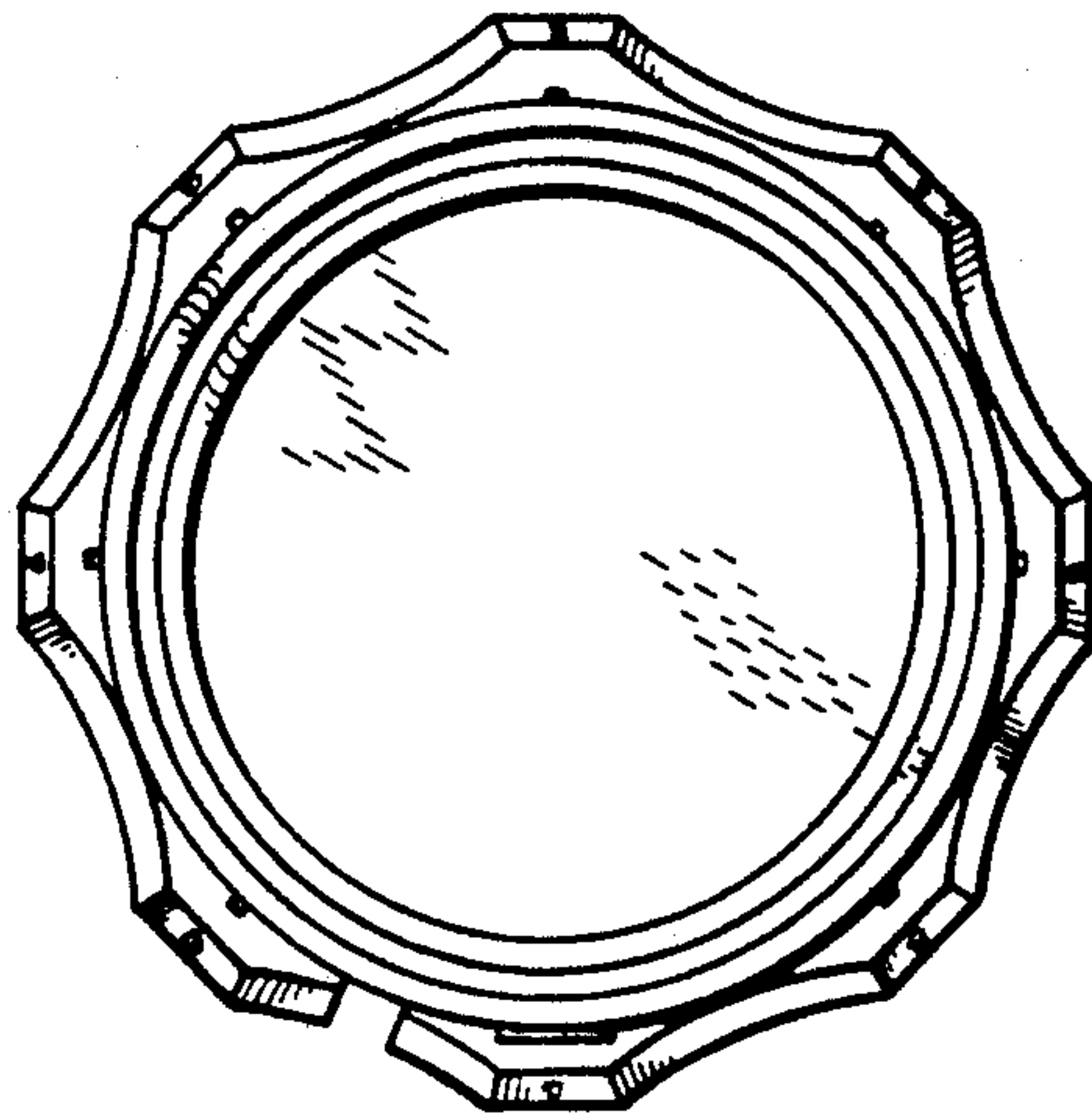
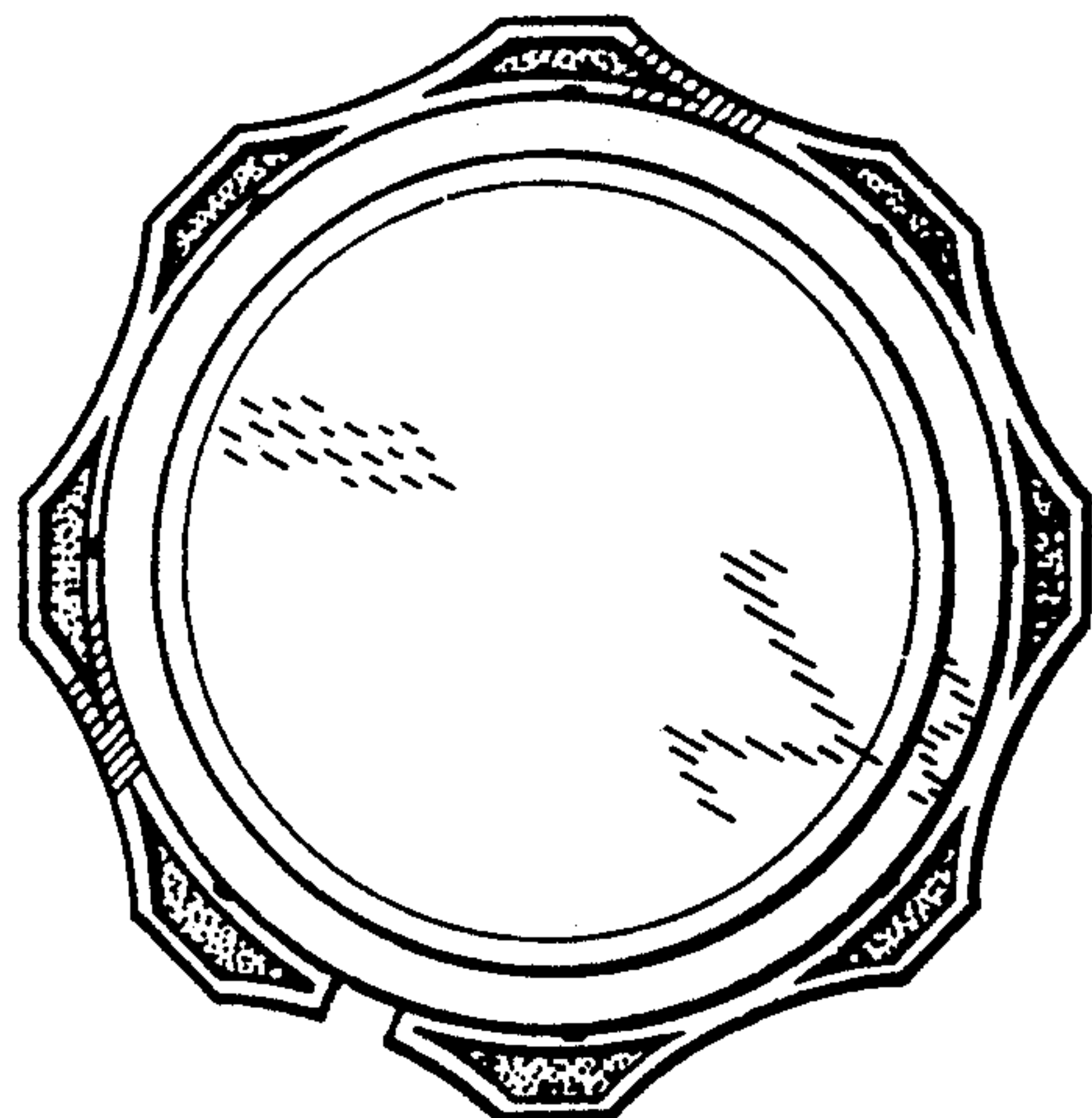


FIG 3



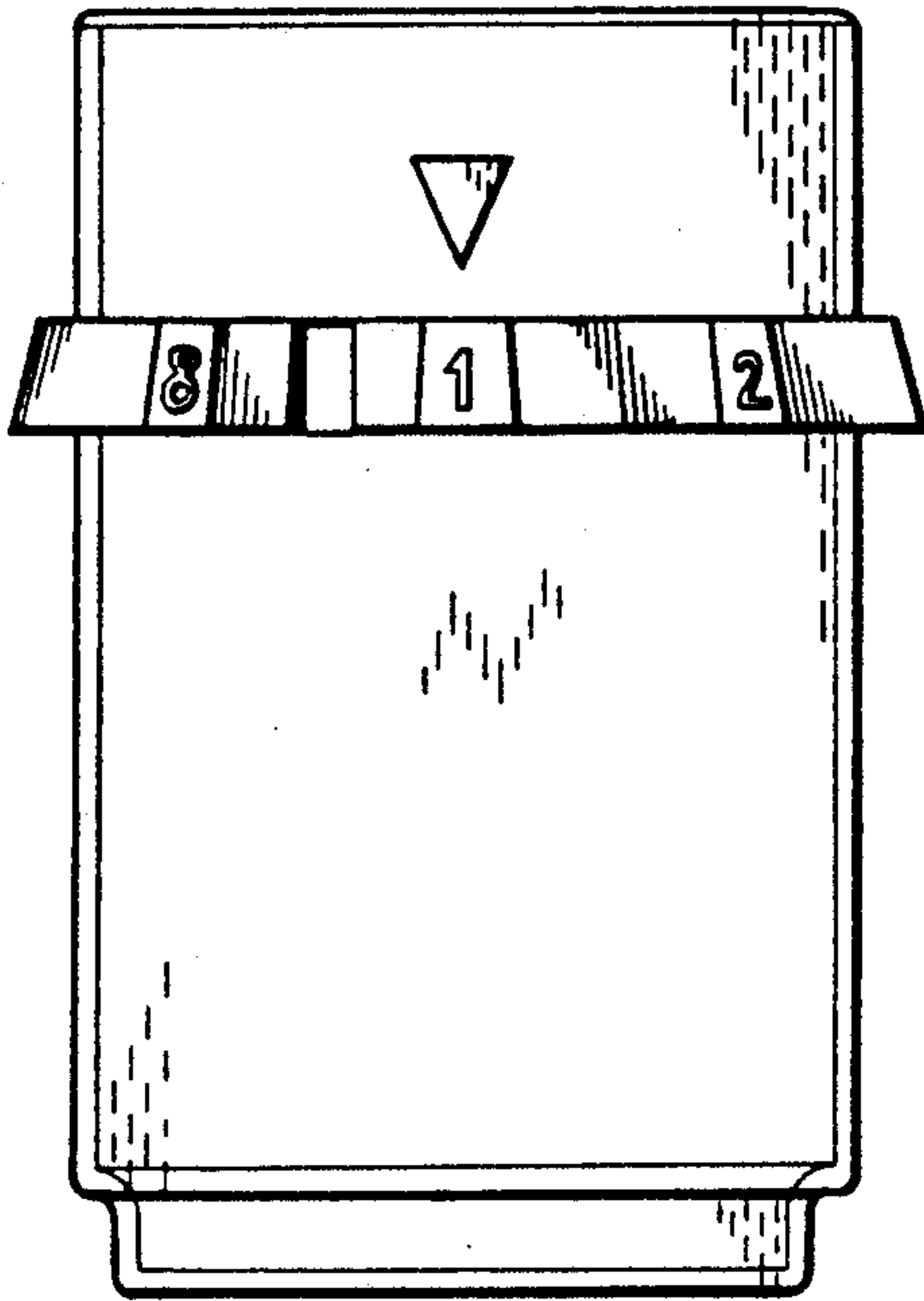


FIG 4

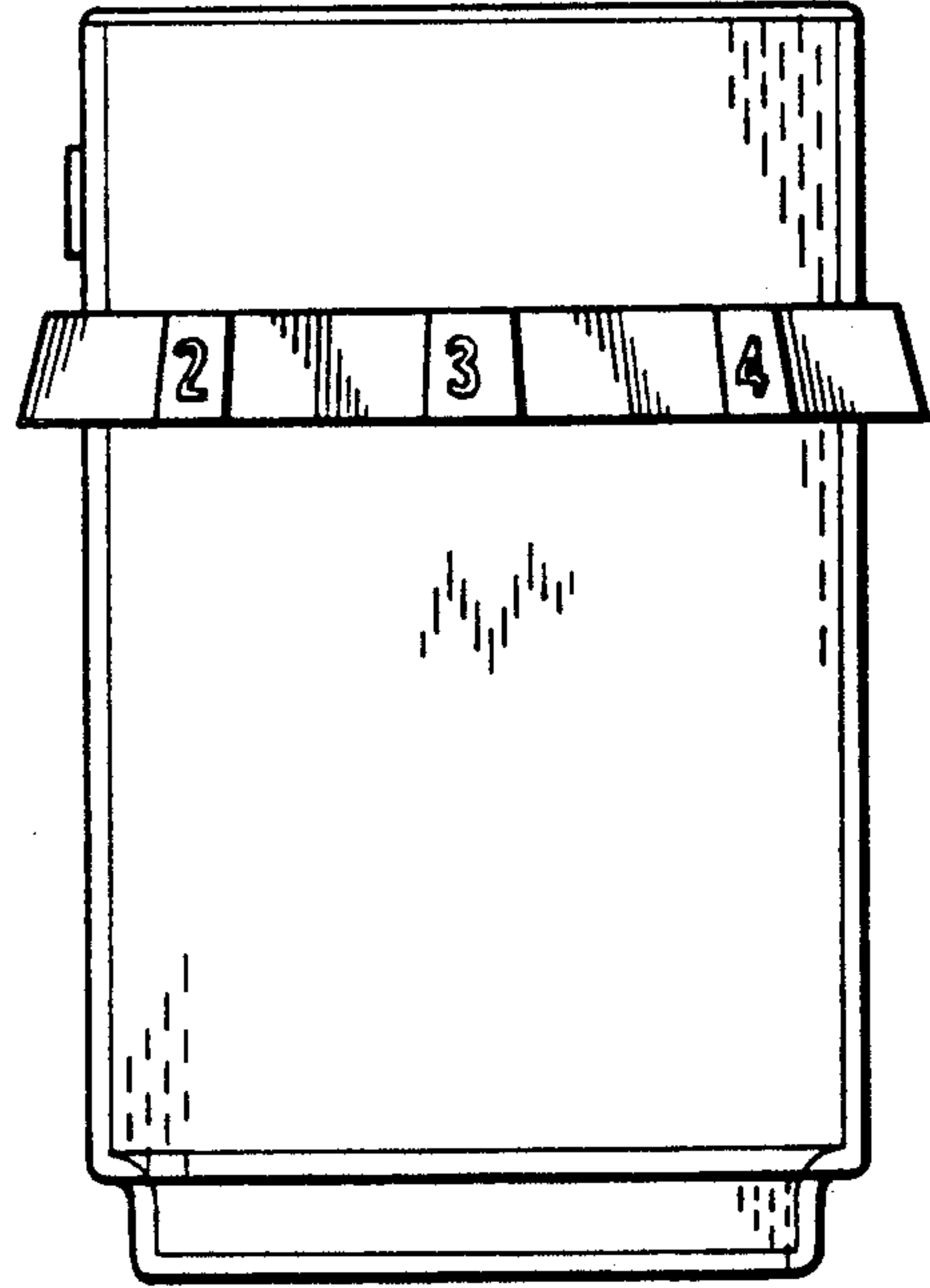


FIG 5

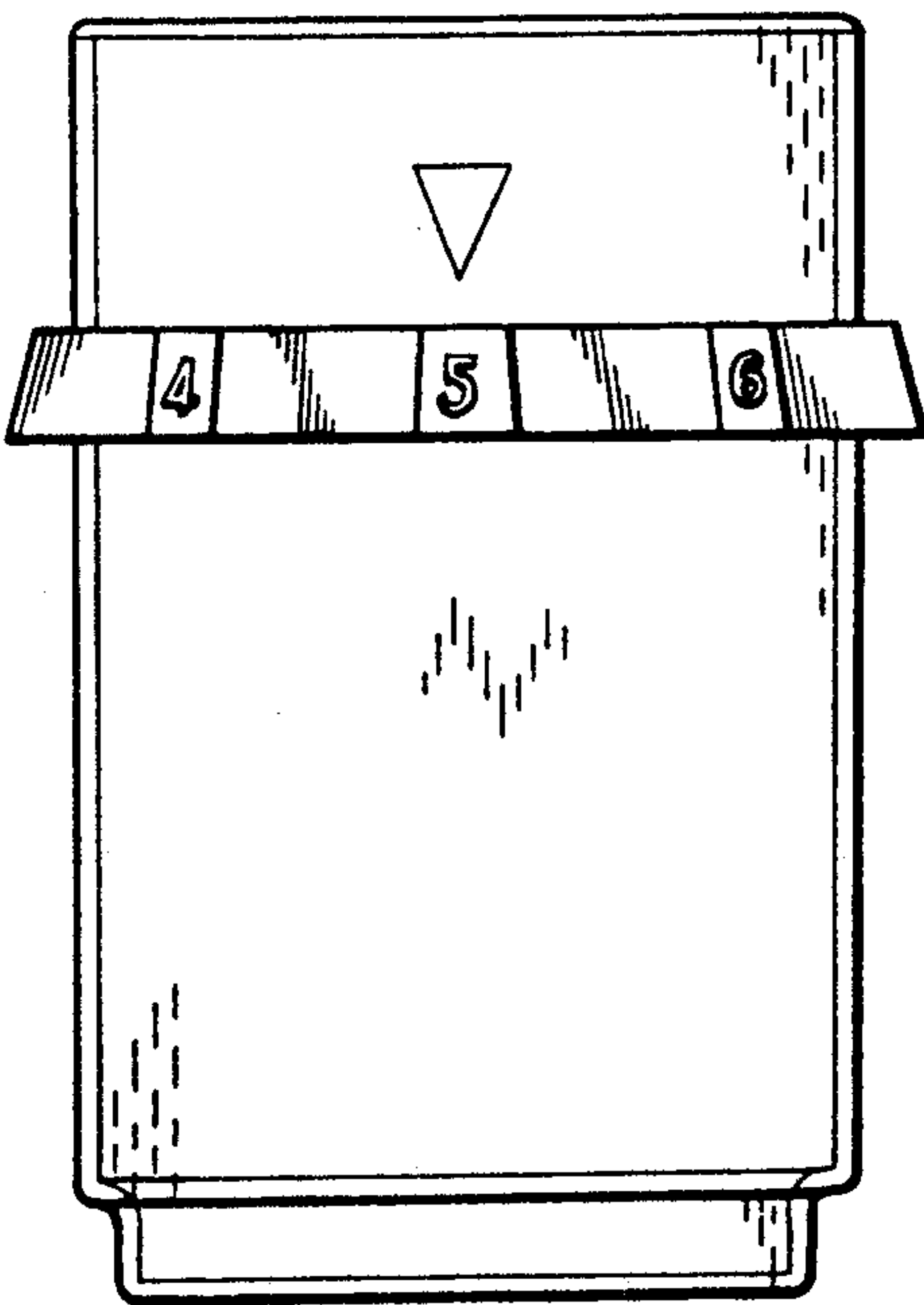


FIG 6

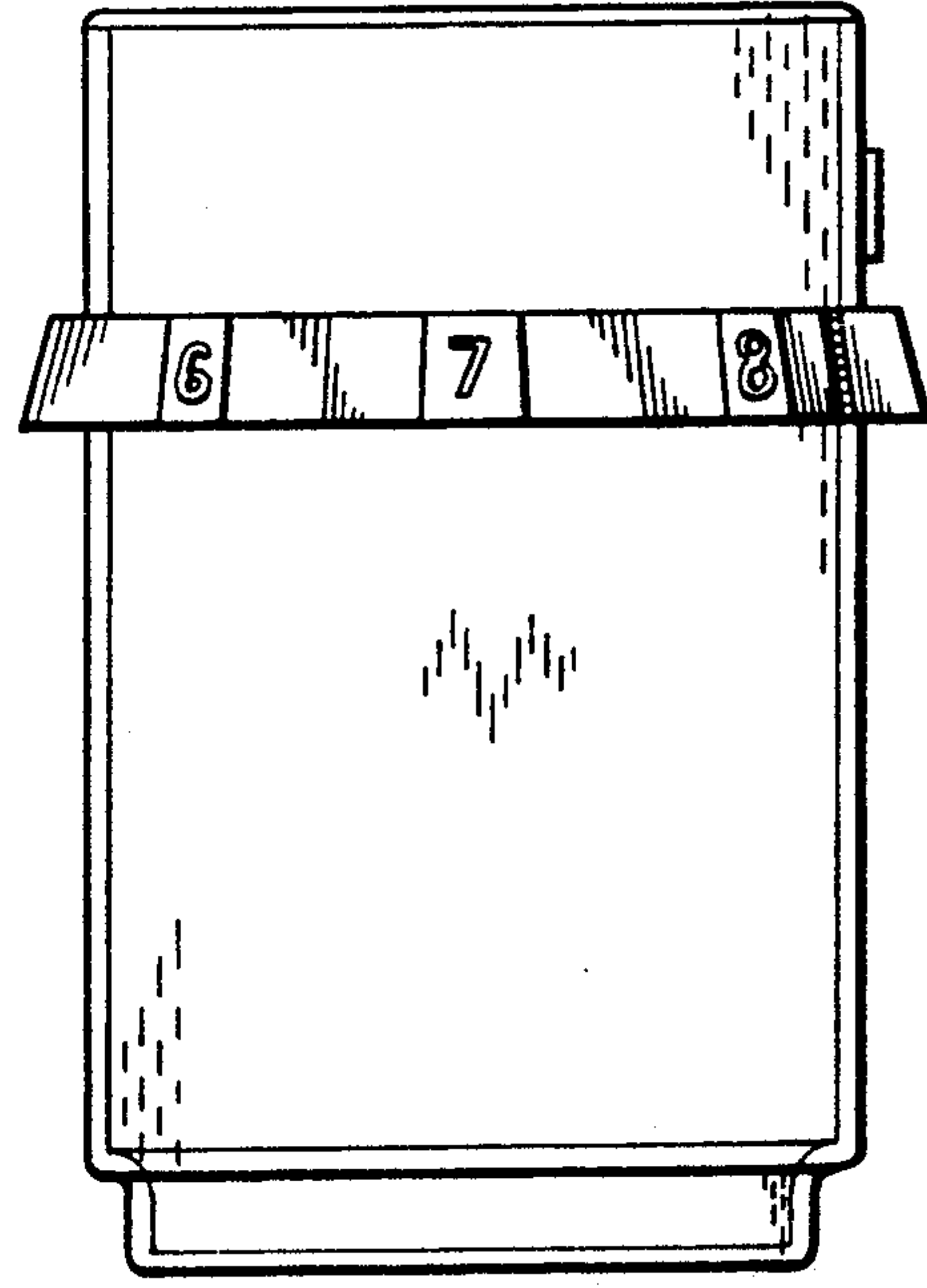


FIG 7