



US00D333064S

United States Patent [19]

[11] Patent Number: **Des. 333,064**

Sorrel

[45] Date of Patent: **** Feb. 9, 1993**

[54] PANCAKE GRIDDLE

[75] Inventor: **Bruno Sorrel, Sevrier, France**

[73] Assignee: **Tefal S.A., Rumilly, France**

[**] Term: **14 Years**

[21] Appl. No.: **546,878**

[22] Filed: **Jul. 2, 1990**

[30] Foreign Application Priority Data

Jan. 5, 1990 [FR] France 90 0070

[52] U.S. Cl. **D7/364**

[58] Field of Search **D7/362-367, D7/354-355, 357, 359-361; 99/422, 425-426, 447; 219/445-448, 458**

[56] References Cited

U.S. PATENT DOCUMENTS

D. 108,439 2/1938 Hamilton D7/363

D. 151,082 9/1948 Stevens D7/361
D. 185,435 6/1959 Hockley D7/363
D. 205,820 9/1966 Ryan D7/364
D. 257,116 9/1980 Lakatos et al. D7/357

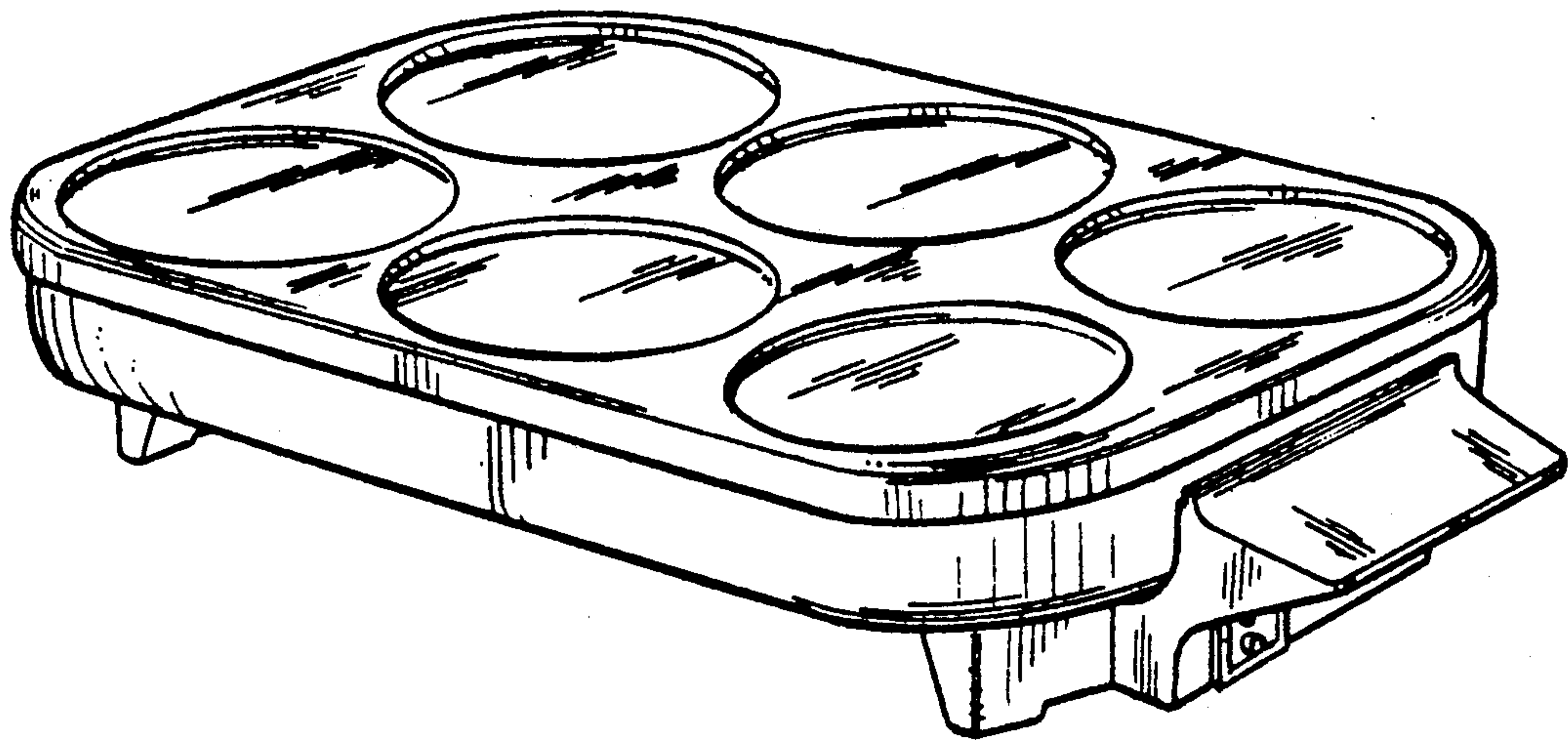
Primary Examiner—A. Hugo Word
Assistant Examiner—Ruth McInroy
Attorney, Agent, or Firm—Young & Thompson

[57] CLAIM

The ornamental design for a pancake griddle, as shown and described.

DESCRIPTION

FIG. 1 is a front elevational view of a pancake griddle showing my new design;
FIG. 2 is a right side elevational view thereof;
FIG. 3 is a left side elevational view thereof;
FIG. 4 is a top plan view thereof;
FIG. 5 is a bottom plan view thereof; and,
FIG. 6 is a top, front and side perspective view thereof.



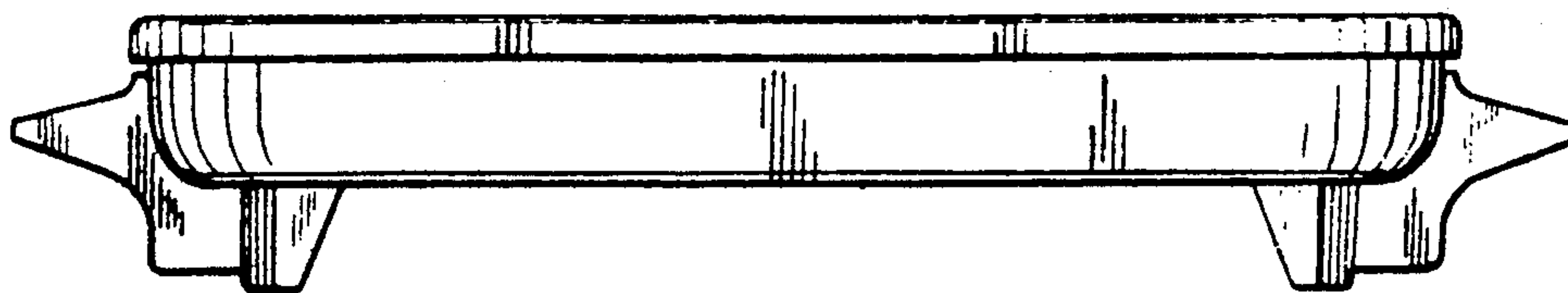


FIG. 1

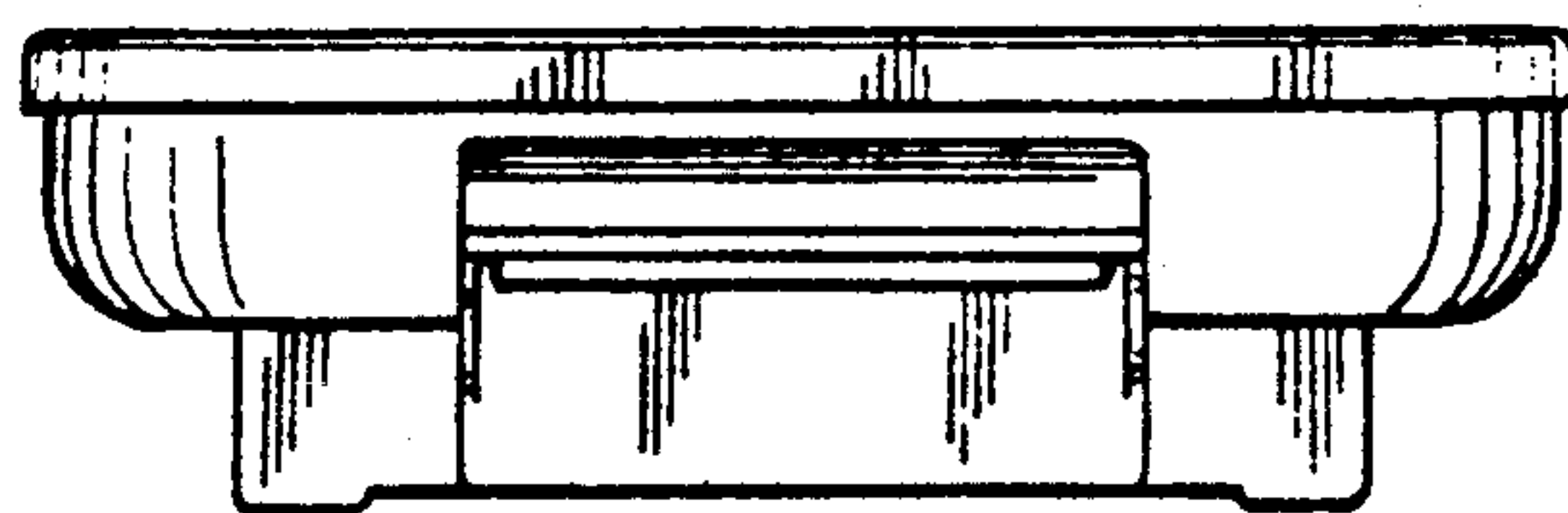


FIG. 2

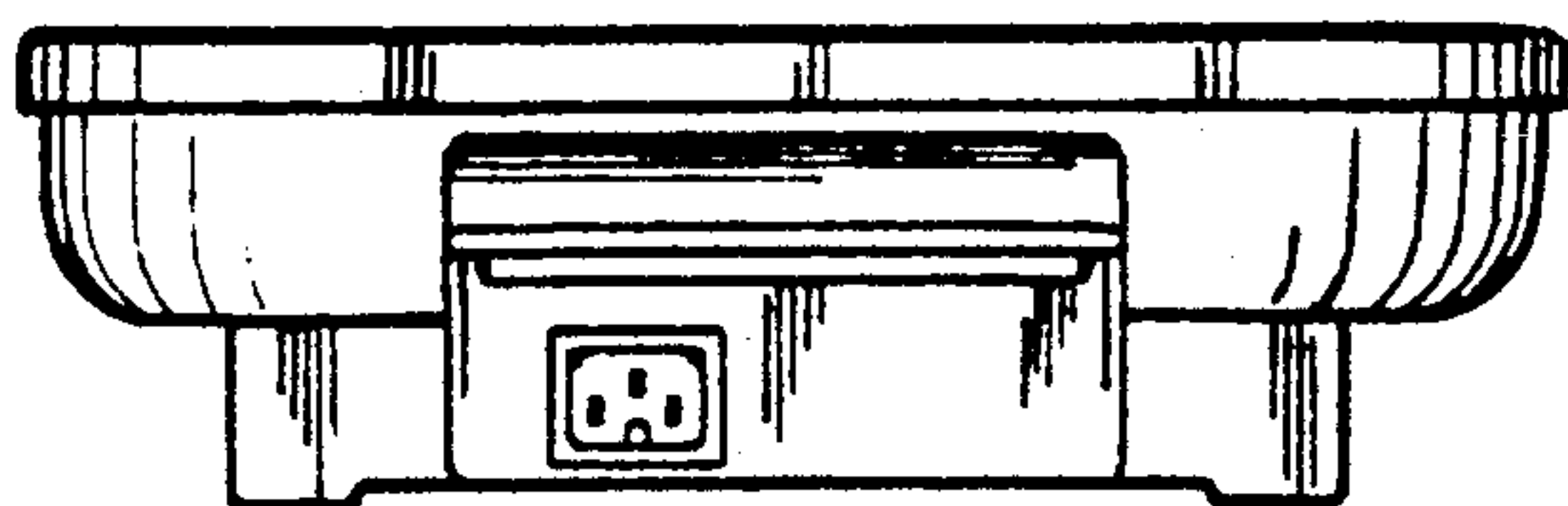


FIG. 3

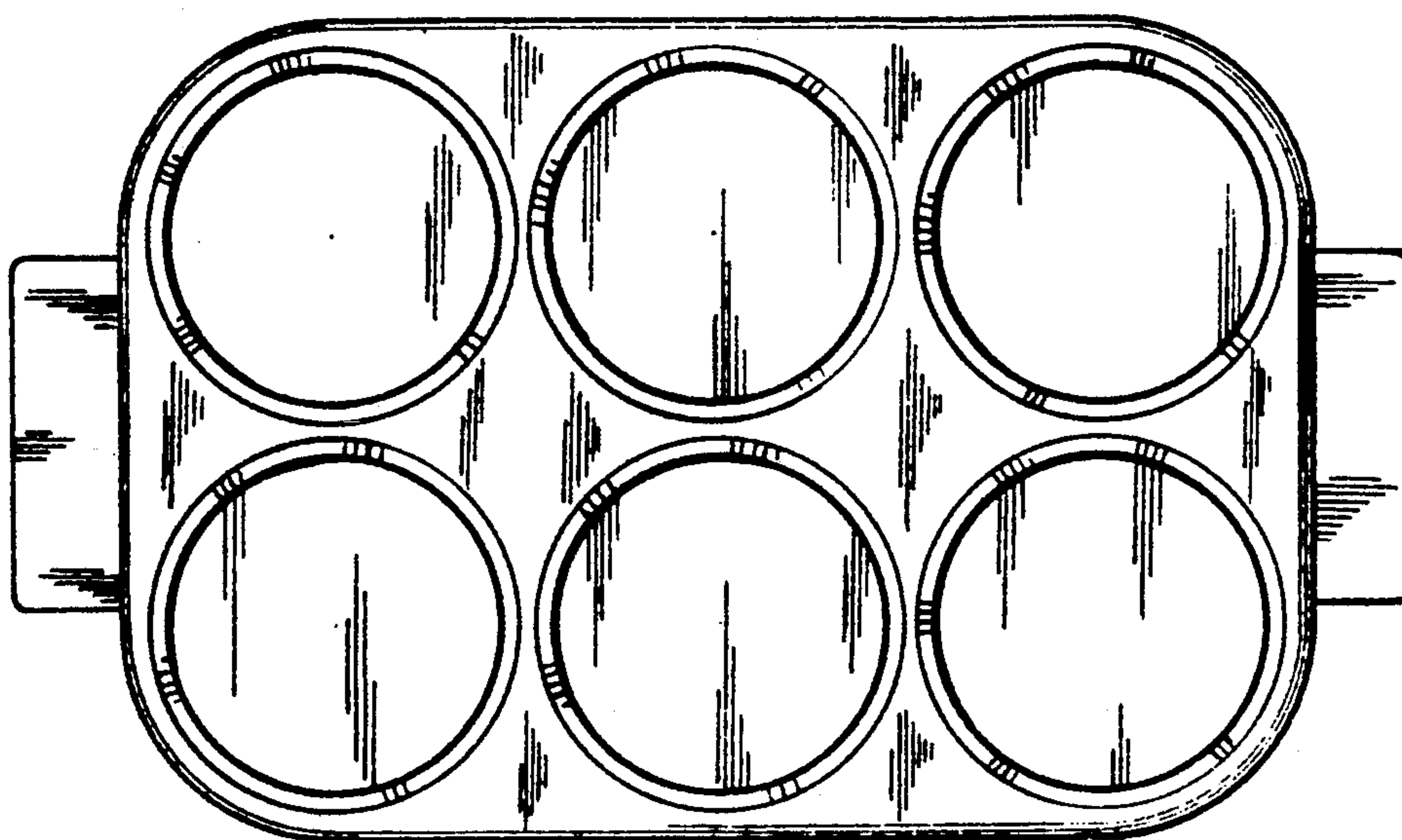


FIG. 4

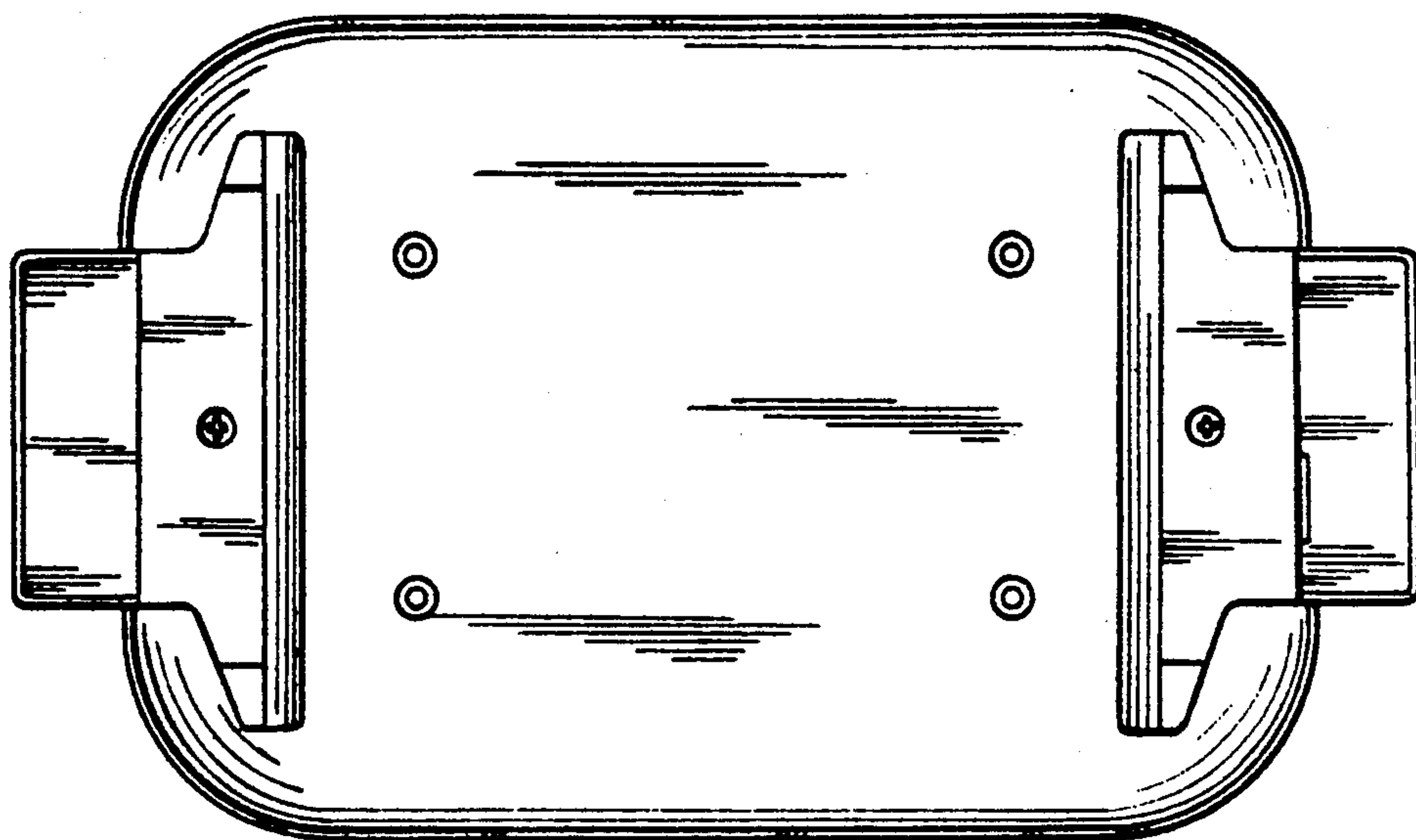


FIG. 5

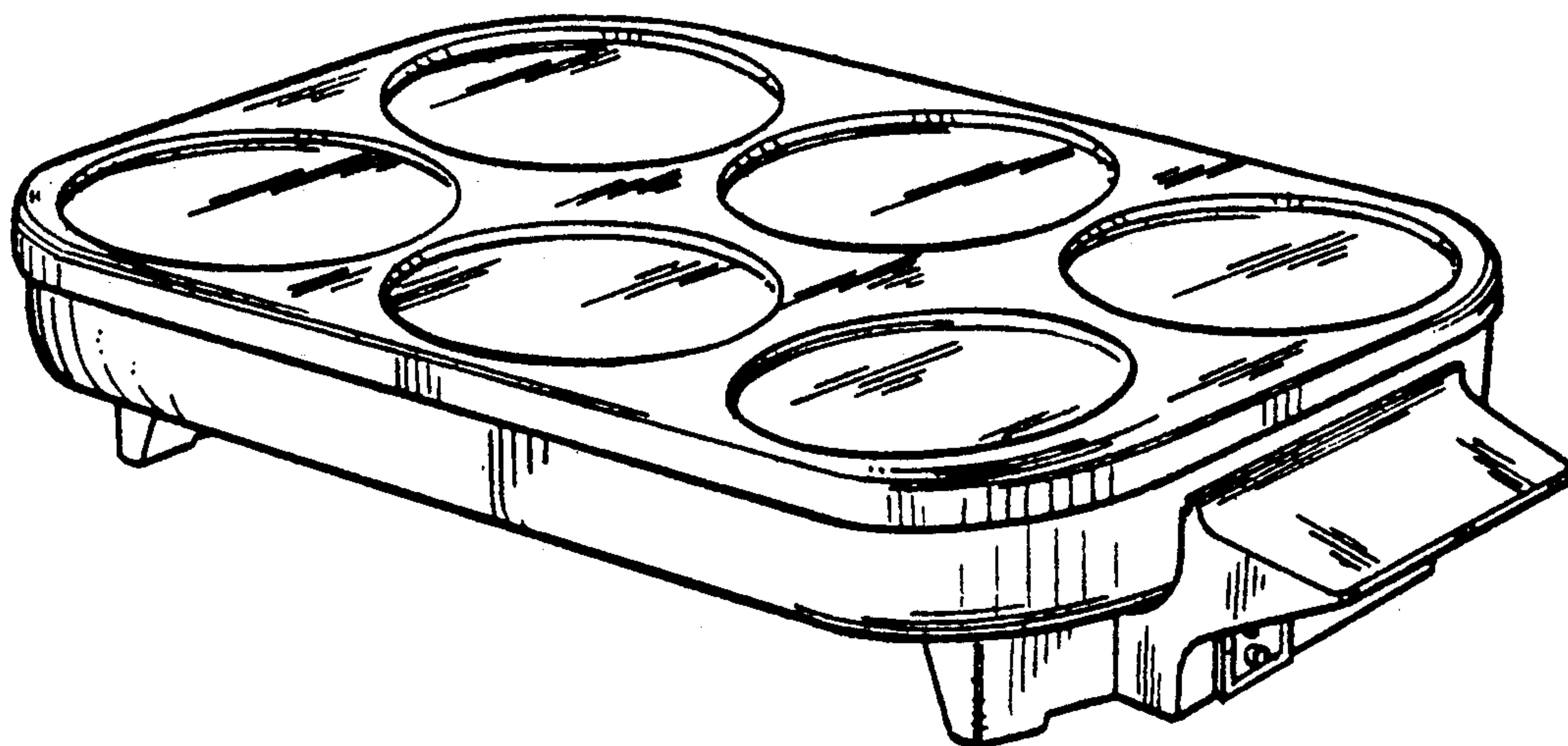


FIG. 6