



US00D333060S

United States Patent [19]

[11] Patent Number: **Des. 333,060**

Perego

[45] Date of Patent: **** Feb. 9, 1993**

[54] **COMBINED HIGH CHAIR TRAY AND ACTIVITY TOY**

[75] Inventor: **Gianluca Perego, Arcore, Italy**

[73] Assignee: **Peg Perego Pines S.p.A., Milan, Italy**

[**] Term: **14 Years**

[21] Appl. No.: **374,350**

[22] Filed: **Jun. 22, 1989**

[52] U.S. Cl. **D6/511; D21/59; D6/339**

[58] Field of Search **D6/338, 339, 511, 406, D6/491; 434/258, 432; 297/143, 148, 151; D21/59**

[56] **References Cited**

U.S. PATENT DOCUMENTS

- D. 99,853 6/1936 Brazell D6/511
- D. 229,999 1/1974 Blazey et al. D6/511
- D. 236,141 7/1975 Snyder D21/59 X
- D. 266,682 10/1982 Airlie D21/59

- D. 276,056 10/1984 Chatani D21/59
- D. 281,516 11/1985 Wong D21/59
- D. 288,513 3/1987 Shelly D6/511 X
- 3,146,738 9/1964 Telarico 297/148 X
- 3,425,743 2/1969 Peterson D6/339 X
- 4,312,507 1/1982 Smith et al. 434/432 X

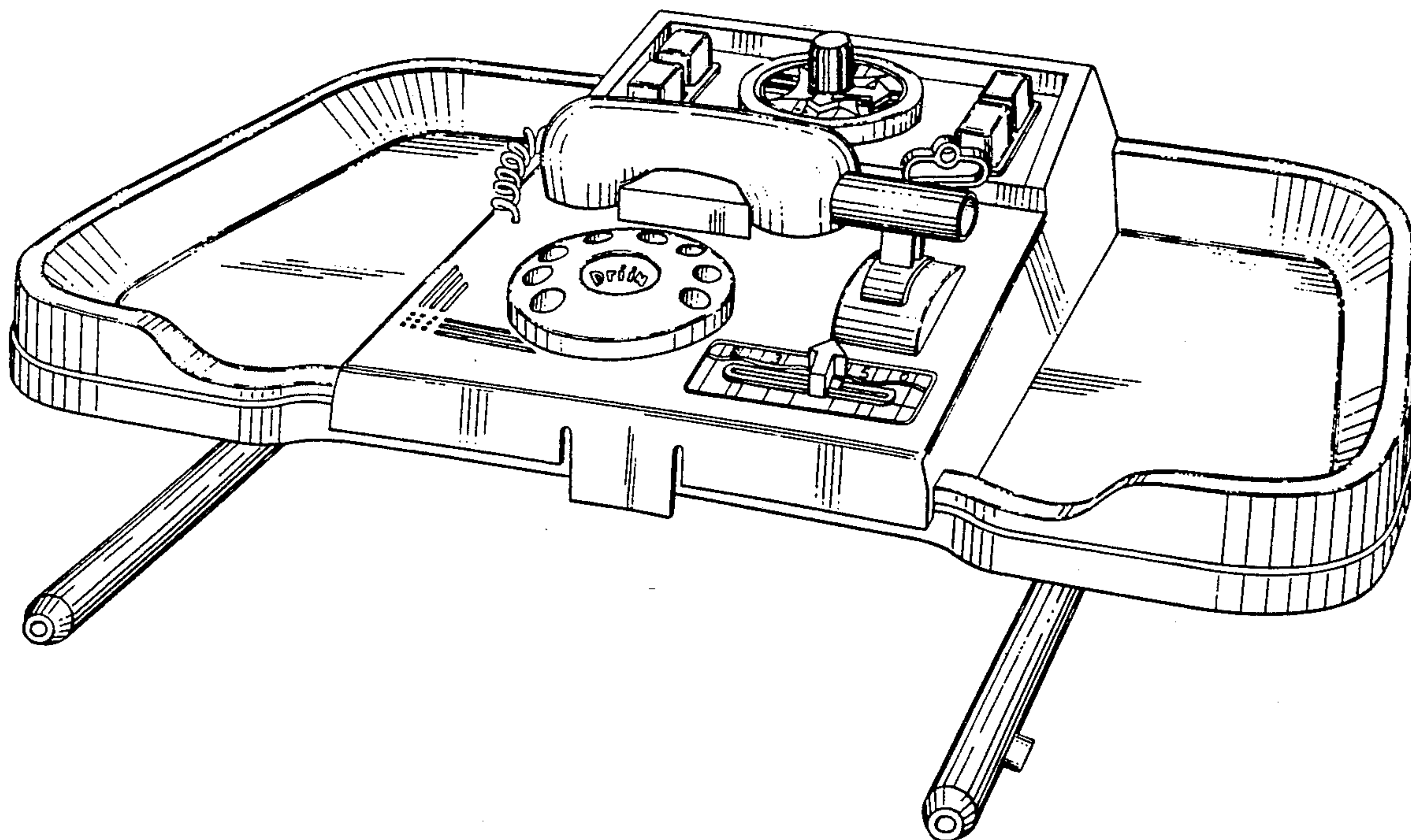
Primary Examiner—Nelson C. Holtje
Assistant Examiner—Janice E. Seeger
Attorney, Agent, or Firm—McGlew and Tuttle

[57] **CLAIM**

The ornamental design for a combined high chair tray and activity toy, as shown and described.

DESCRIPTION

FIG. 1 is a perspective view of a combined high chair tray and activity toy, showing my new design; FIG. 2 is a top plan view; FIG. 3 is a bottom plan view; FIG. 4 is a front perspective view; FIG. 5 is a rear perspective view; FIG. 6 is a left side elevational view; and, FIG. 7 is a right side elevational view thereof.



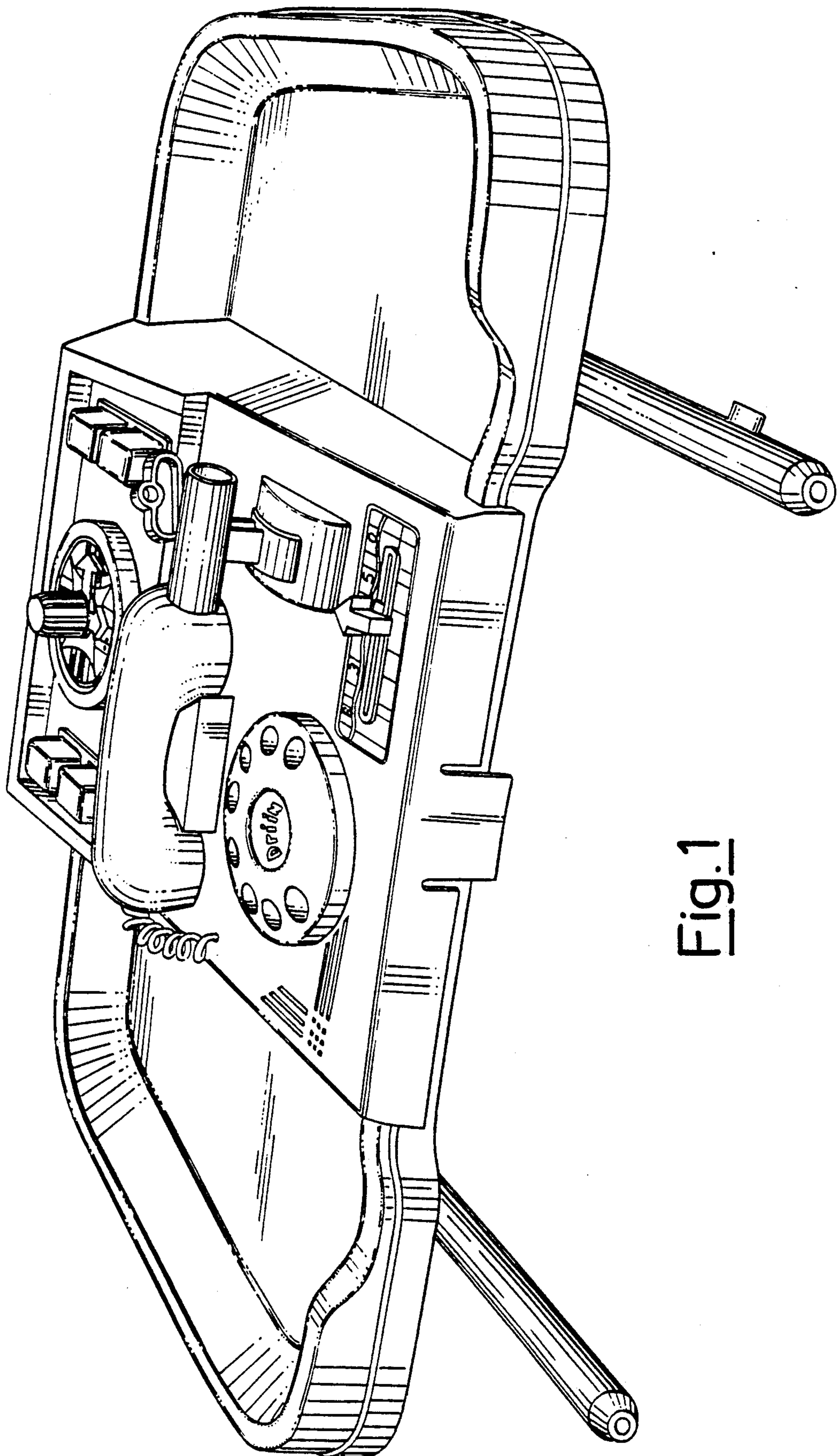


Fig. 1

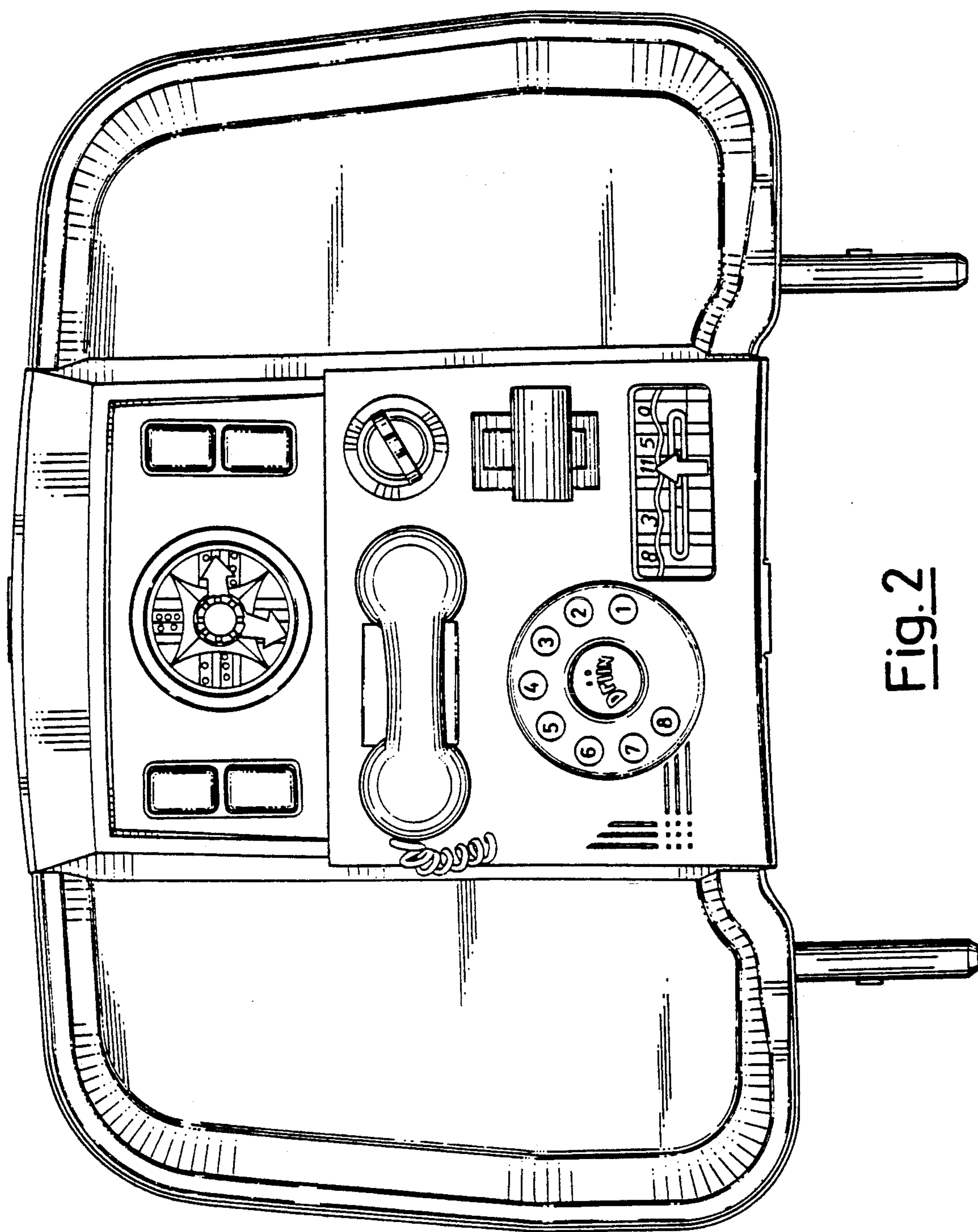


Fig. 2

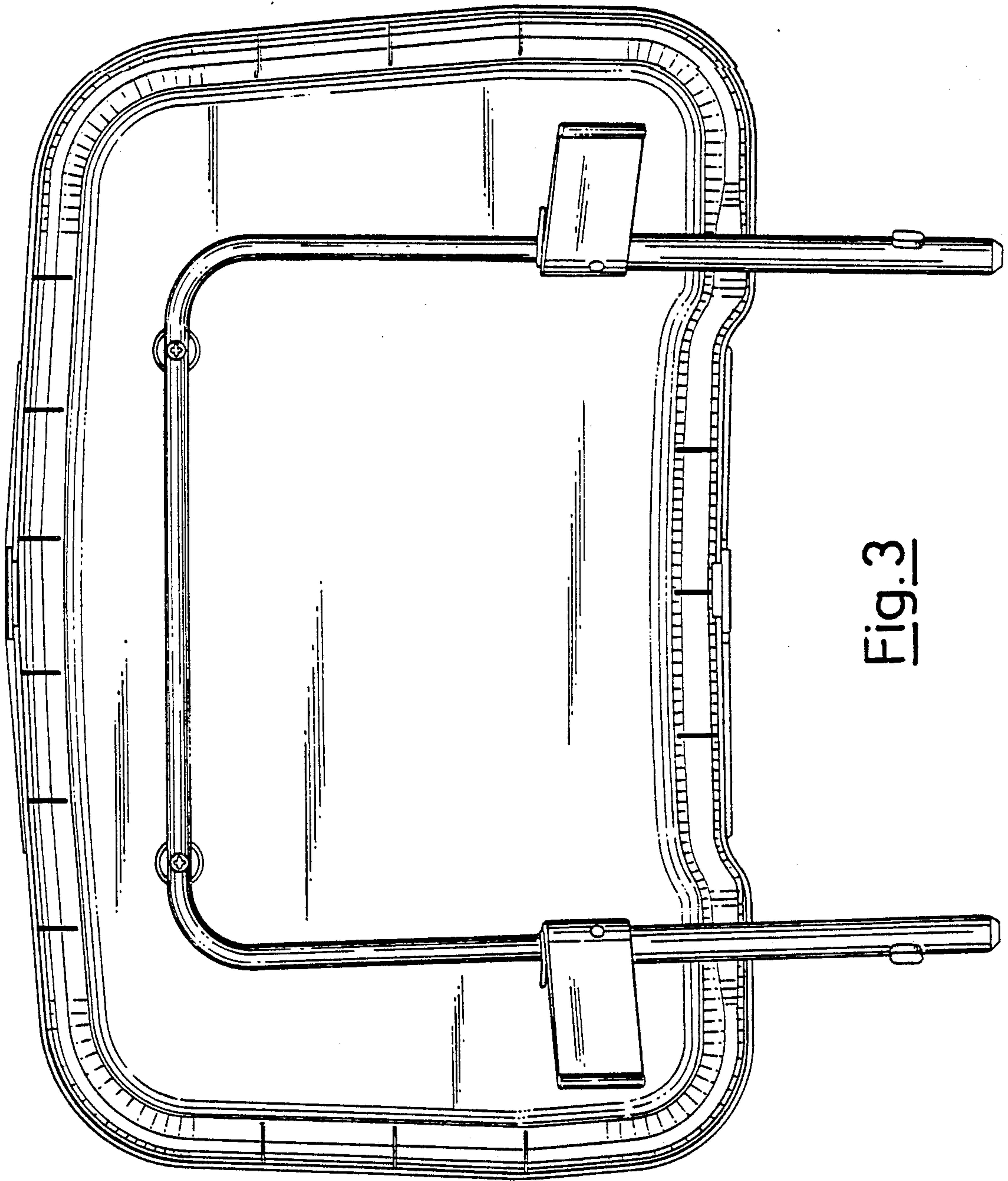


Fig. 3

Fig. 4

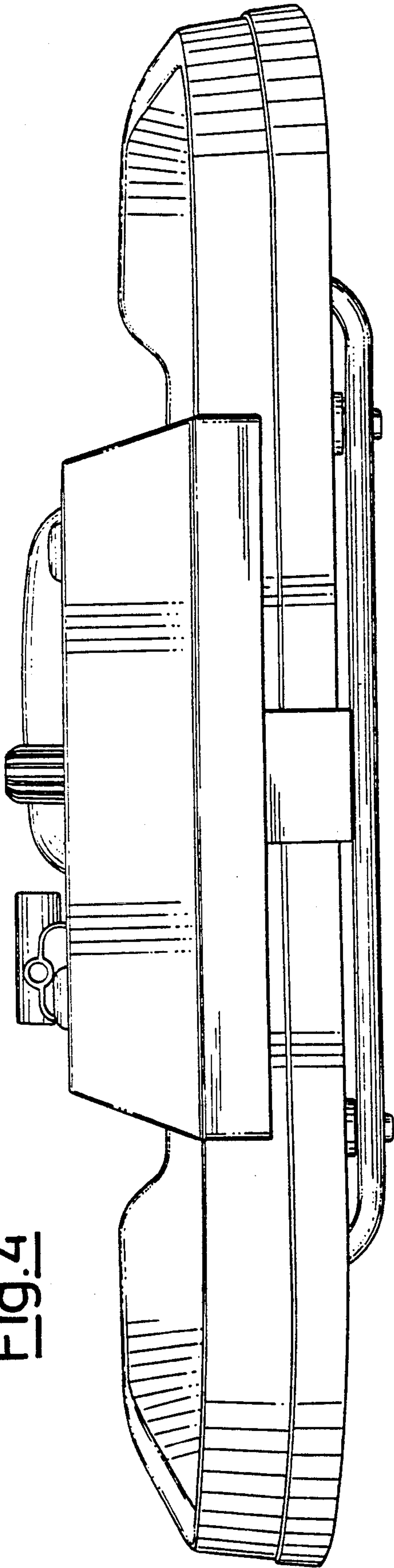
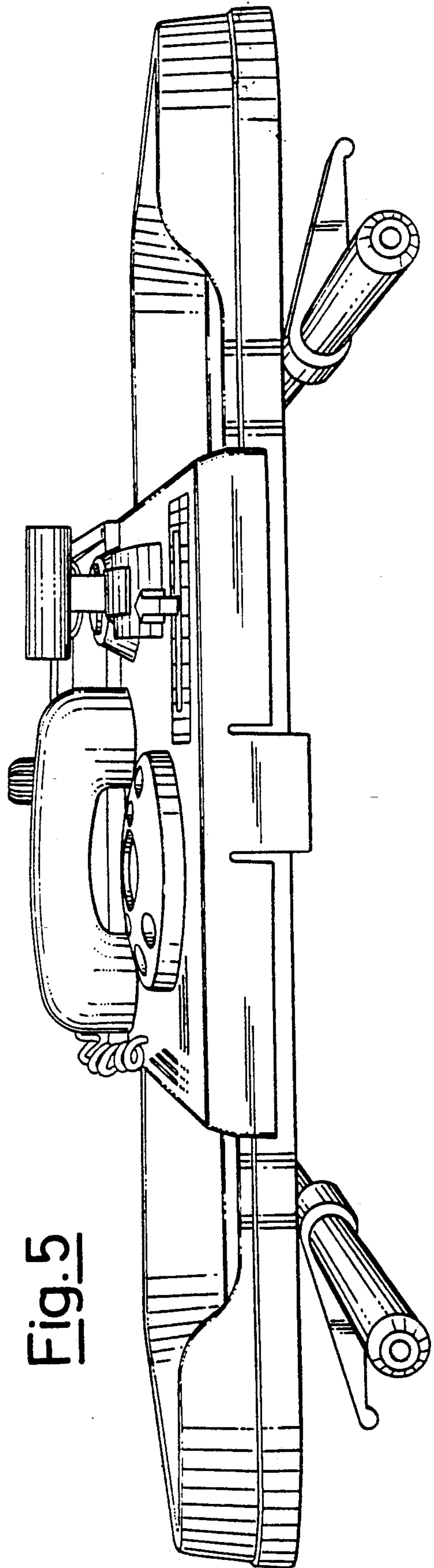


Fig. 5



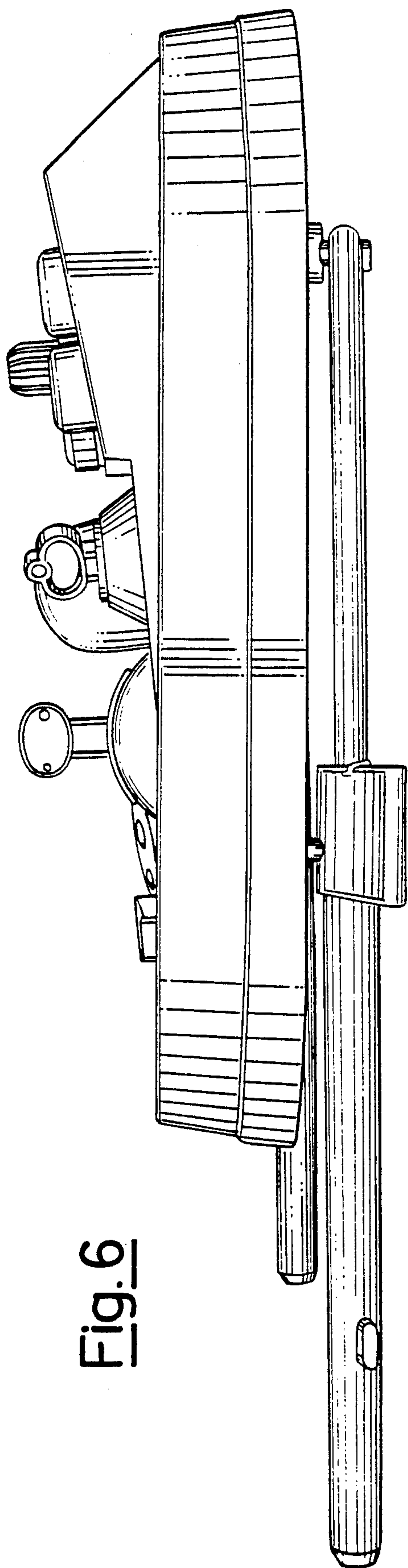


Fig. 6

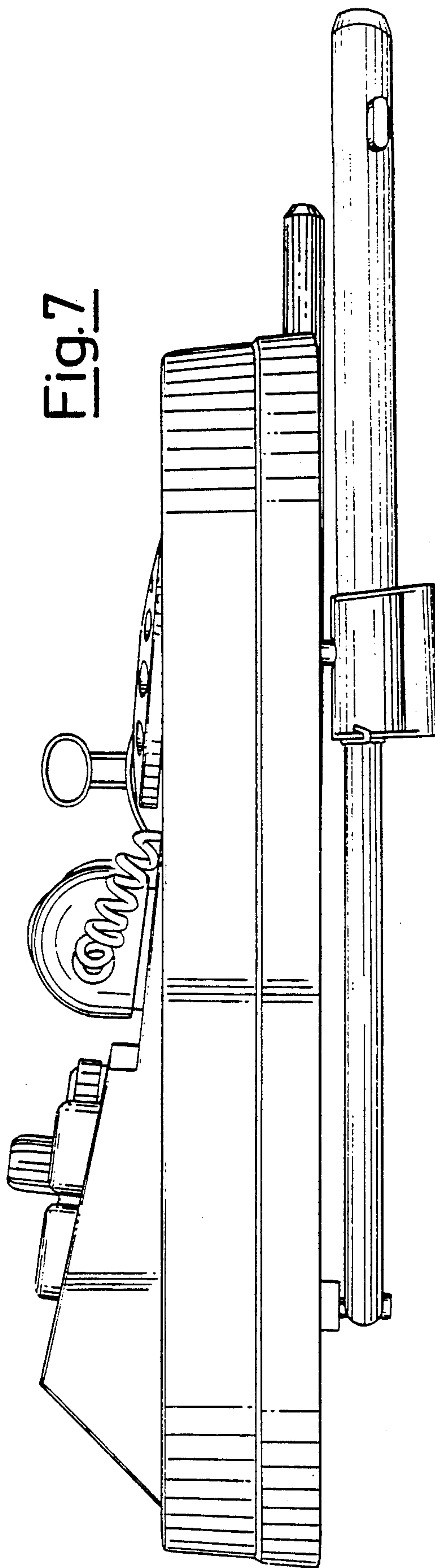


Fig. 7