



US00D333052S

United States Patent [19]

[11] Patent Number: **Des. 333,052**

Bumb

[45] Date of Patent: **** Feb. 9, 1993**

[54] **DISPLAY RACK**

[75] Inventor: **Joseph M. Bumb, San Jose, Calif.**

[73] Assignee: **Ageless Tangible Assets, Inc., San Jose, Calif.**

[**] Term: **14 Years**

[21] Appl. No.: **703,142**

[22] Filed: **May 17, 1991**

[52] U.S. Cl. **D6/476; D6/467**

[58] Field of Search **D6/449, 475, 474, 476, D6/470-472, 466-469, 408, 473, 510; D3/30.1; D34/40, 45, 46, 43; D9/341; 211/50, 45, 73, 49.1**

D. 309,527 7/1990 Singer D3/30.1 X
D. 311,837 11/1990 Suttles D6/476 X
D. 319,130 8/1991 Williams D34/40
3,086,658 4/1963 Palmer 211/50

OTHER PUBLICATIONS

View Rite Catalog, date Feb. 28, 1986, item at center left, p. AP-21.

Display Innovations in Acrylic, p. 12.

Primary Examiner—Alan P. Douglas

Assistant Examiner—Jeffrey Asch

Attorney, Agent, or Firm—Phillips, Moore, Lempio & Finley

[56] **References Cited**

U.S. PATENT DOCUMENTS

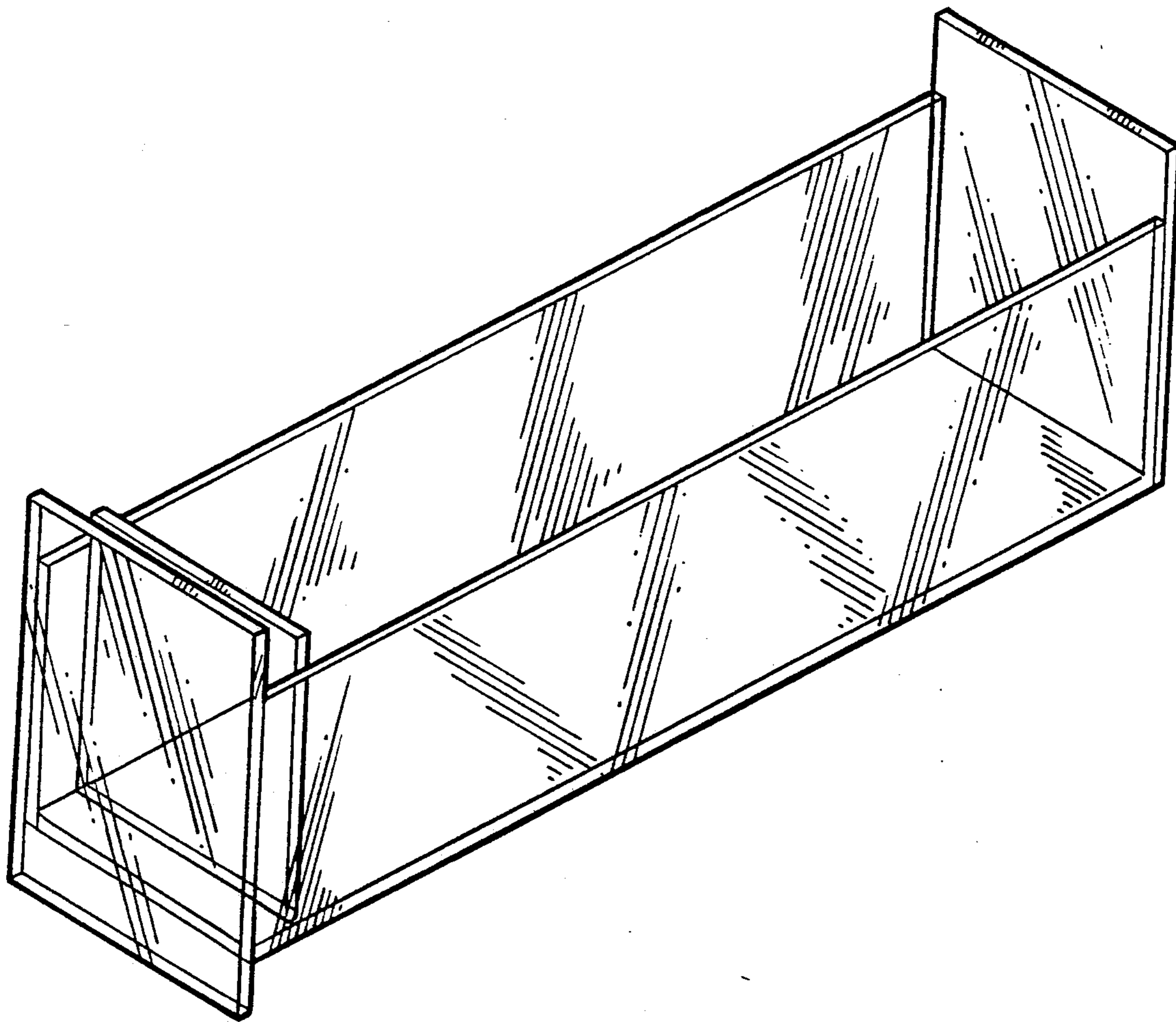
D. 157,575 3/1950 Edelman D9/341
D. 249,214 9/1978 Rothman D6/471
D. 263,538 3/1982 Briggs et al. D6/408
D. 281,477 11/1985 Neff D6/449 X
D. 296,397 6/1988 Cugley D6/476

CLAIM

[57] The ornamental design for a display rack, as shown and described.

DESCRIPTION

FIG. 1 is a front, top, and right side perspective view of a display rack showing my new design; FIG. 2 is a left side elevational view; and, FIG. 3 is a front elevational view thereof.



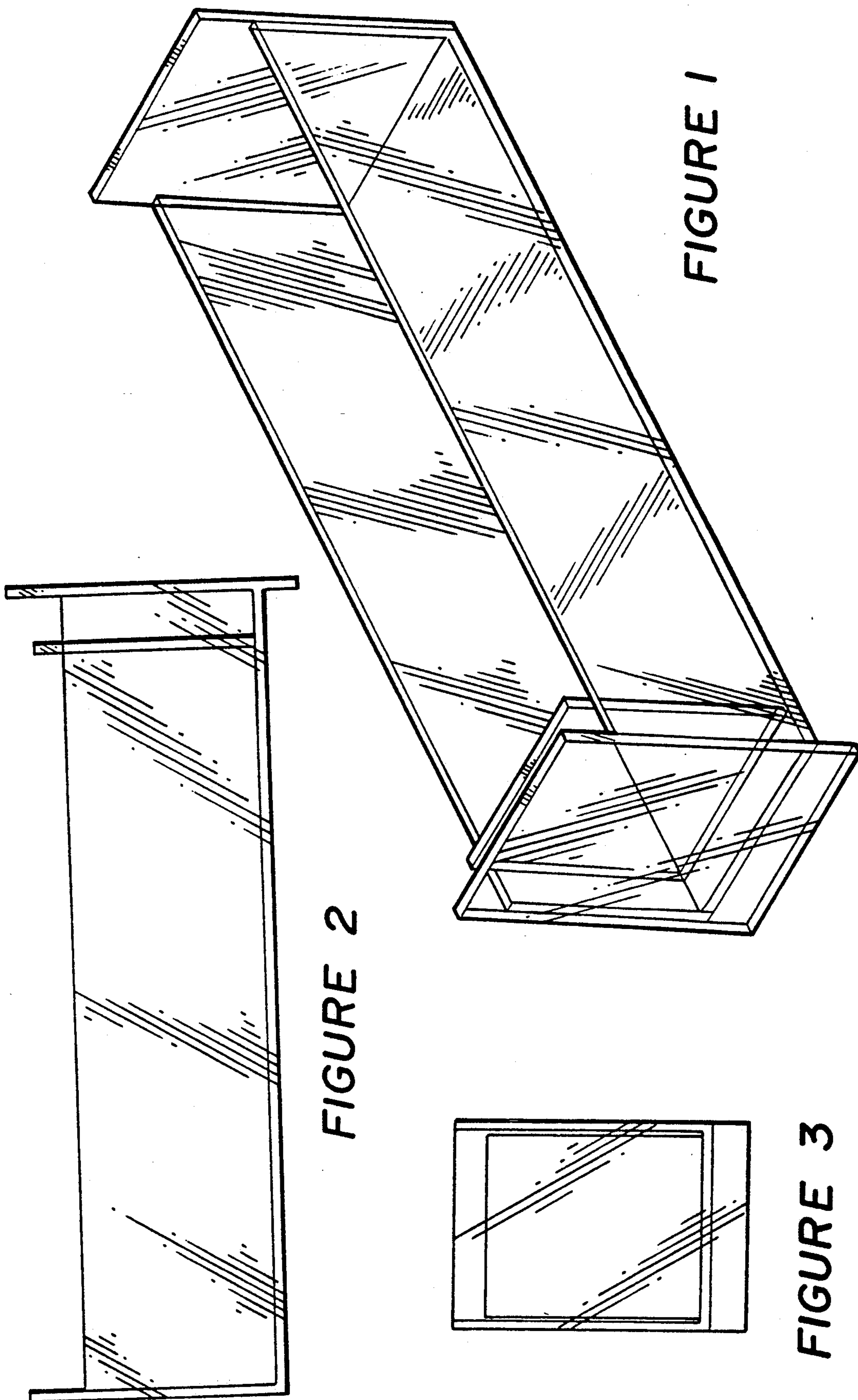


FIGURE 1

FIGURE 2

FIGURE 3