



US00D333051S

# United States Patent [19]

Craft, Jr. et al.

[11] Patent Number: **Des. 333,051**

[45] Date of Patent: **\*\* Feb. 9, 1993**

- [54] **NEWSPAPER BUNDLING RACK**
- [75] Inventors: **Charles W. Craft, Jr., Apple Creek;**  
**Richard R. Lewellen, Wooster, both**  
**of Ohio**
- [73] Assignee: **Rubbermaid Incorporated, Wooster,**  
**Ohio**
- [\*\*] Term: **14 Years**
- [21] Appl. No.: **738,492**
- [22] Filed: **Jul. 31, 1991**
- [52] U.S. Cl. .... **D6/475; D6/457;**  
**D34/43**
- [58] Field of Search ..... **D6/449, 408, 407, 397,**  
**D6/455, 457, 458, 462, 475, 476, 466, 467;**  
**D34/40, 43; 211/13, 50, 49.1; 100/34; 53/592**

- 4,926,748 5/1990 Smith et al. .... **D34/6 X**
- 4,964,518 10/1990 Wilson ..... **211/50**
- 5,005,709 4/1991 Stokes ..... **100/344**
- 5,072,576 12/1991 Evans ..... **53/592**

### OTHER PUBLICATIONS

- 1 page advertising sheet, "Stak-N-Tie"; Akro-Mils,  
P.O. Box 989, Akron, OH 44309.
- 1 page advertising sheet, the "Paper Place"; Akro-Mils,  
P.O. Box 989, Akron, OH 44309.
- 1 page advertising sheet, Newspaper Bundler, Tucker  
Industries, Leominstr, MA 01453.

*Primary Examiner*—Alan P. Douglas  
*Assistant Examiner*—Jeffrey Asch  
*Attorney, Agent, or Firm*—Renner, Kenner, Greive,  
 Bobak, Taylor & Weber

[56] **References Cited**  
**U.S. PATENT DOCUMENTS**

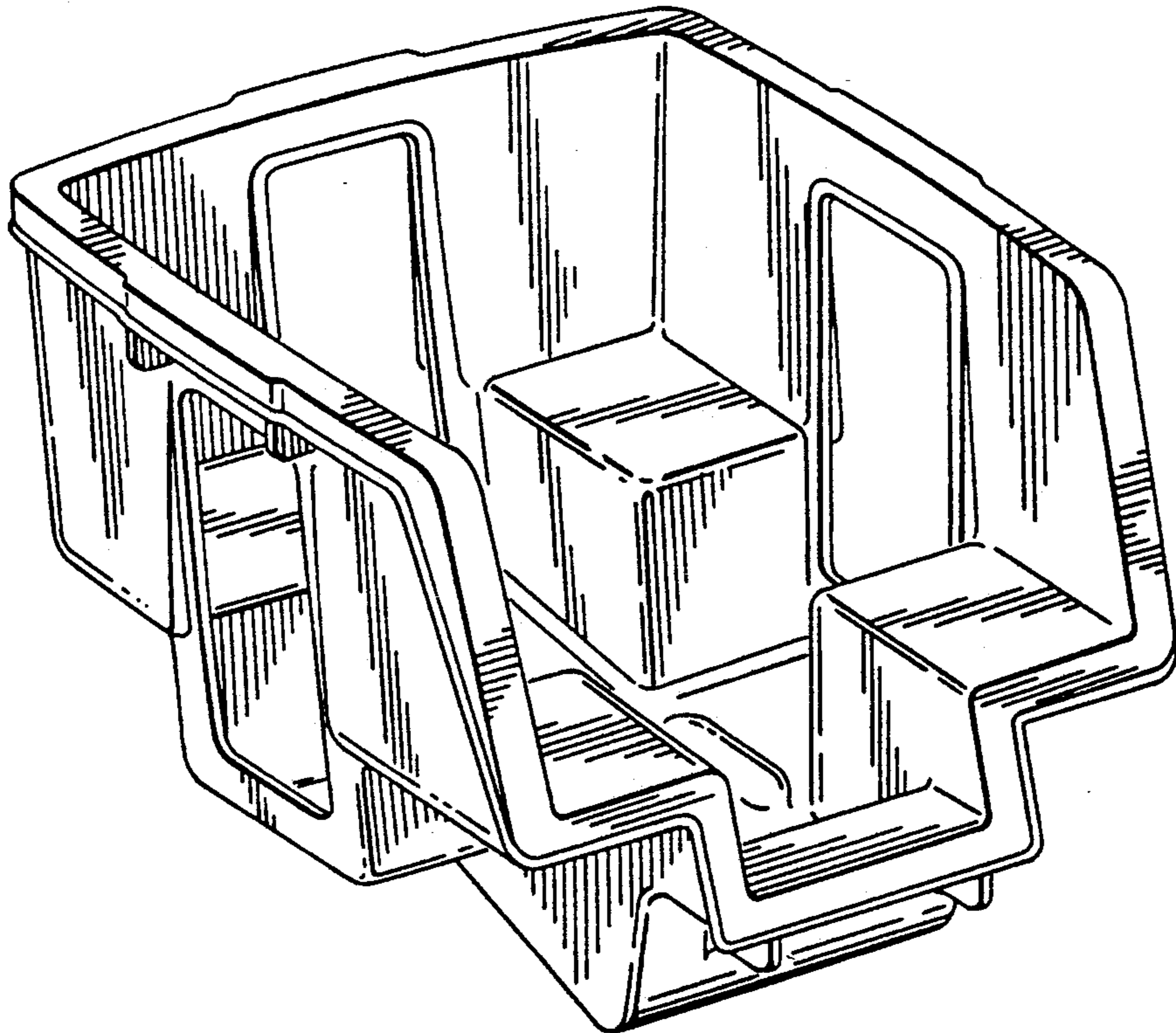
- D. 170,309 9/1953 Curtis et al. .... **D33/3**
- D. 230,802 3/1974 Morita ..... **D6/449**
- D. 247,207 2/1978 Moynihan ..... **D6/462**
- D. 249,617 9/1978 Bozicnik ..... **D6/184**
- D. 271,438 11/1983 Miller ..... **D34/43**
- D. 314,097 1/1991 Buist ..... **D6/458**
- 2,364,518 12/1944 Clouser ..... **100/19**
- 2,818,180 12/1957 Keene ..... **211/50**
- 3,038,403 6/1962 Orelind ..... **100/34**
- 3,171,347 3/1965 Elrod ..... **100/34**
- 3,491,681 1/1970 Saro, Jr. et al. .... **100/34**
- 3,850,092 11/1974 Montgomery ..... **100/34**
- 4,061,084 12/1977 Bakkeren ..... **100/1**

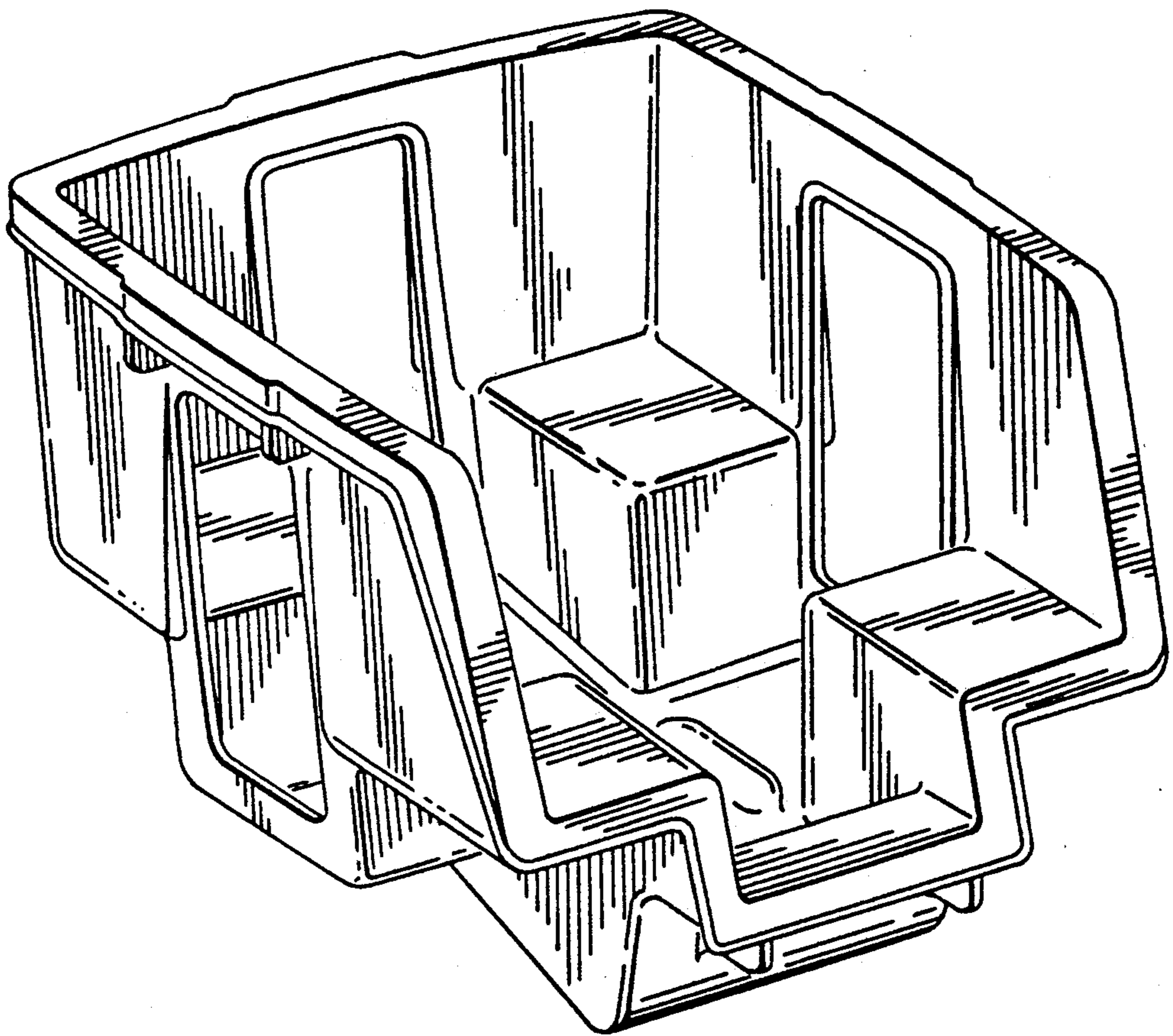
### [57] CLAIM

The ornamental design for a newspaper bundling rack, as shown and described.

### DESCRIPTION

FIG. 1 is a perspective view of a newspaper bundling rack embodying our new design;  
 FIG. 2 is a top plan view thereof;  
 FIG. 3 is a bottom plan view thereof;  
 FIG. 4 is a side elevational view thereof, showing the side opposite to that which can be seen in FIG. 1.  
 FIG. 5 is a front elevational view thereof; and,  
 FIG. 6 is a rear elevational view thereof.  
 FIGS. 2-6 have been shown on enlarged scale with respect to FIG. 1.





*FIG. 1*

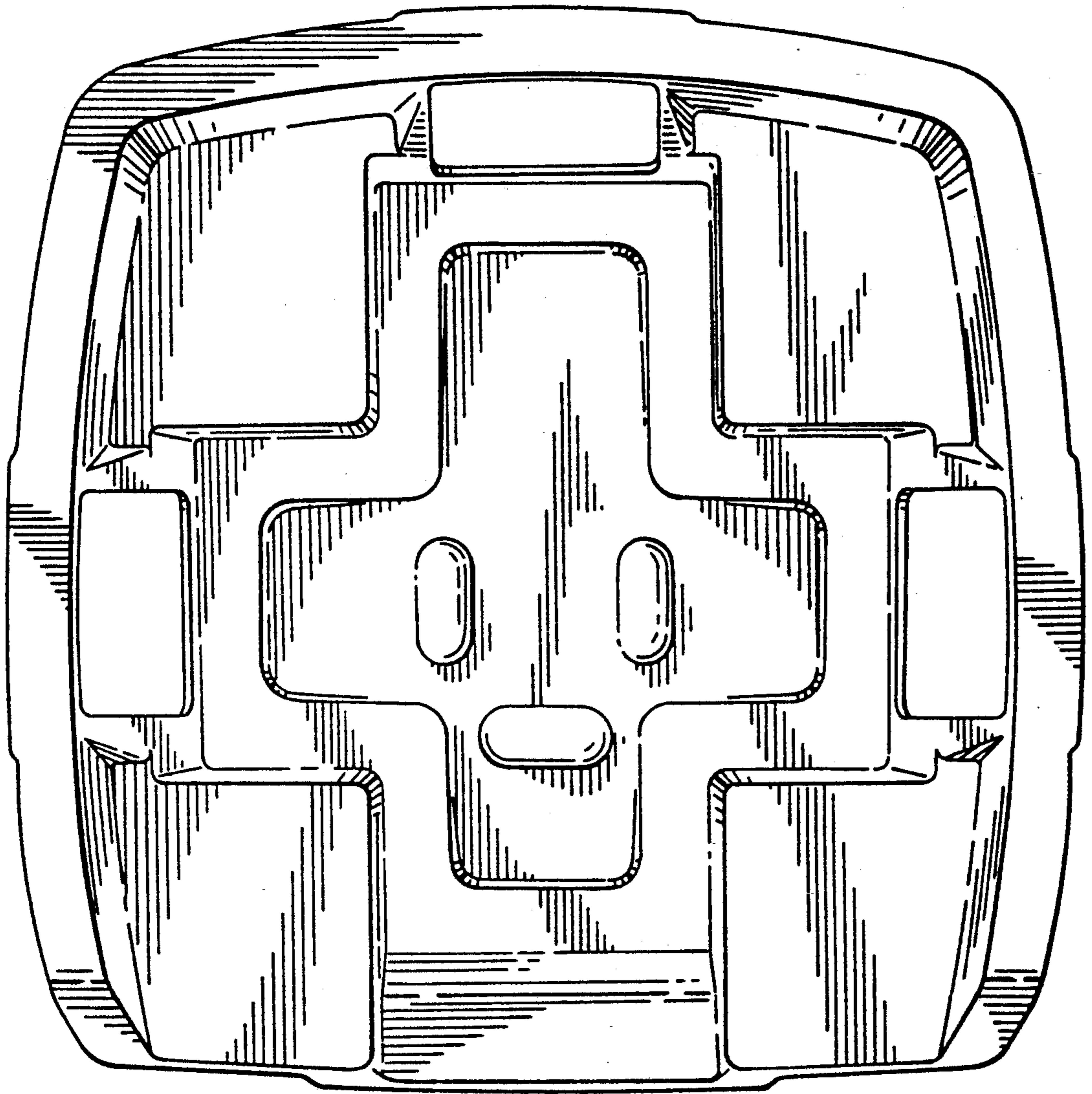


FIG. 2

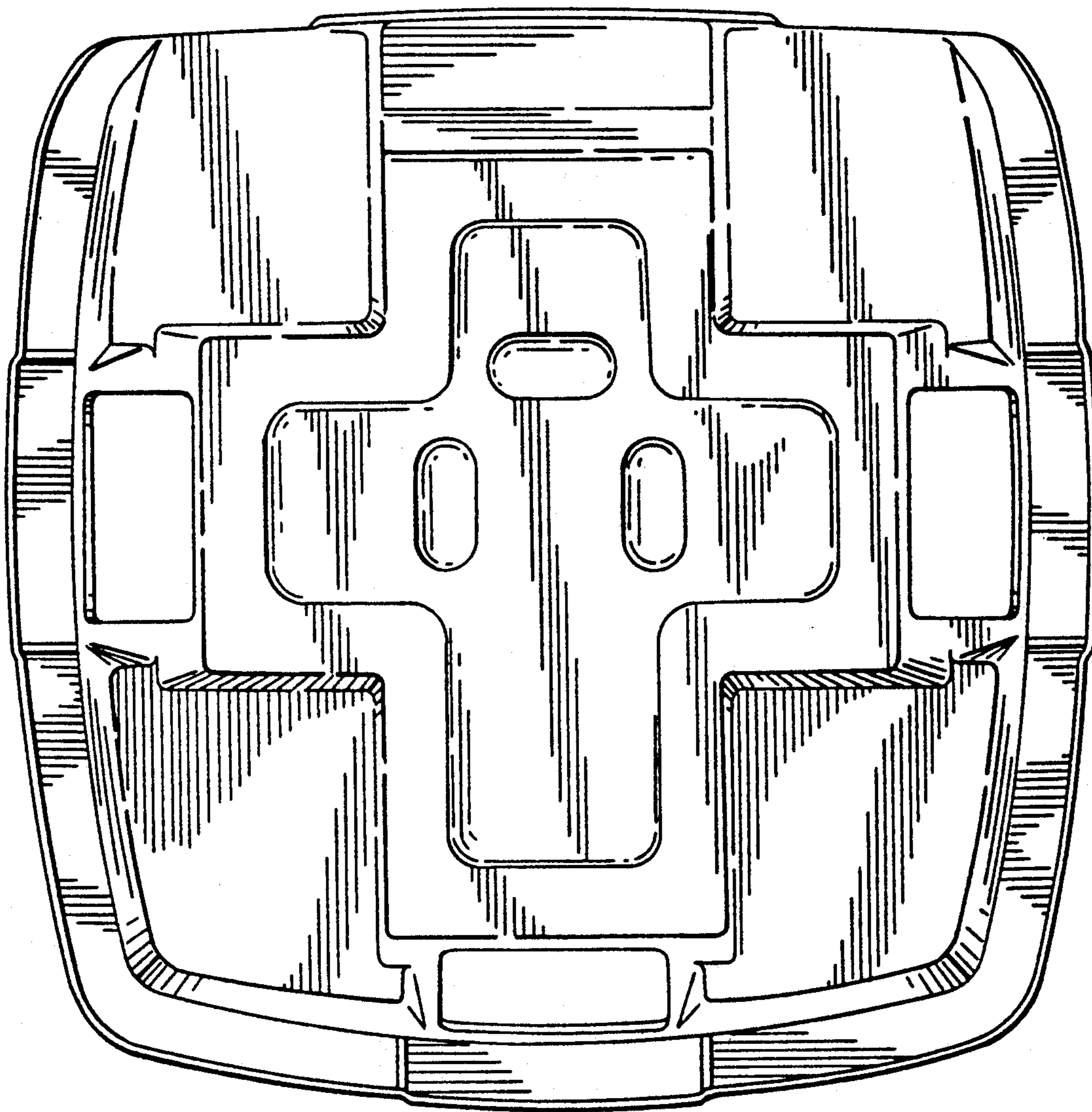


FIG. 3

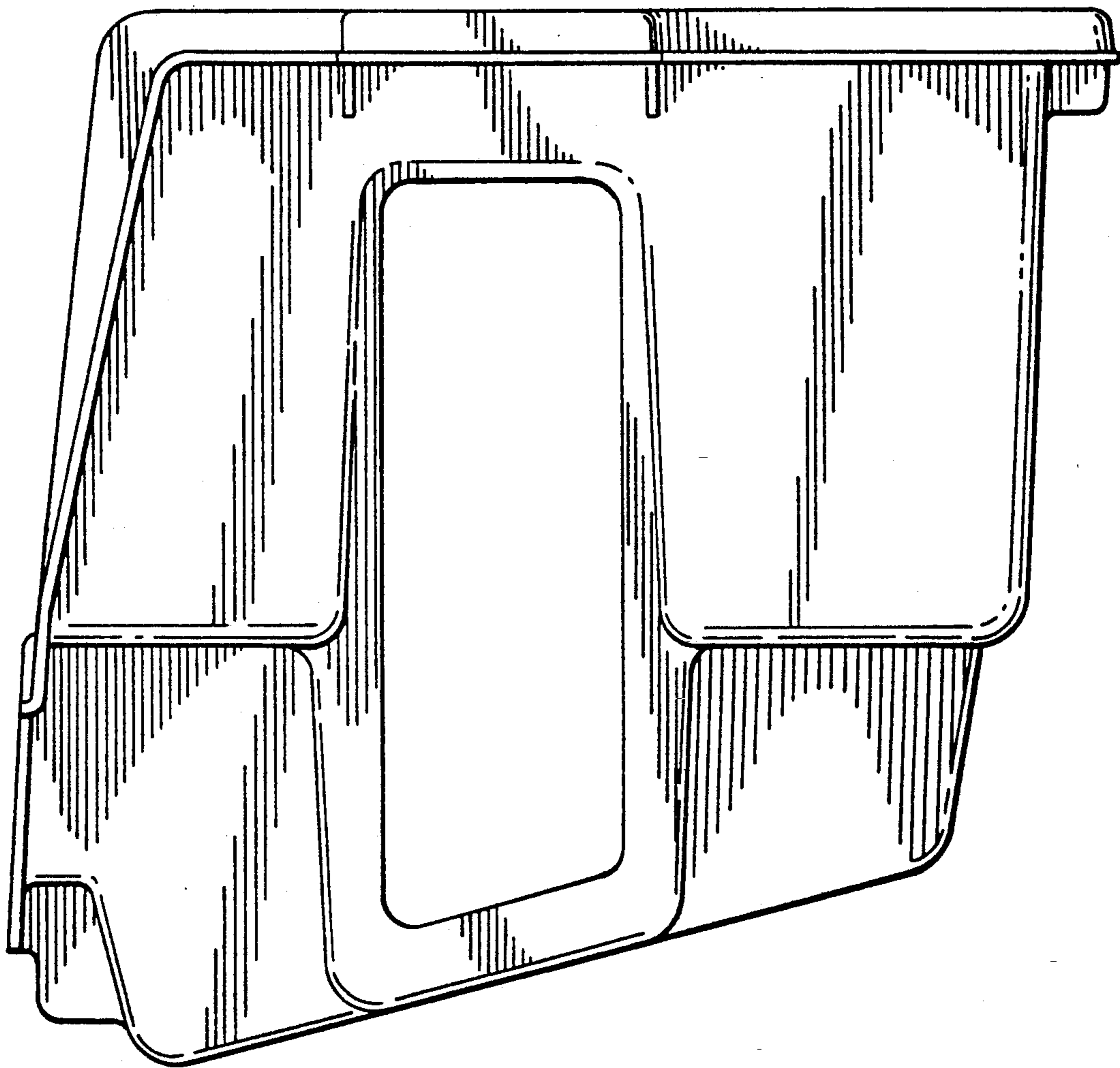


FIG. 4

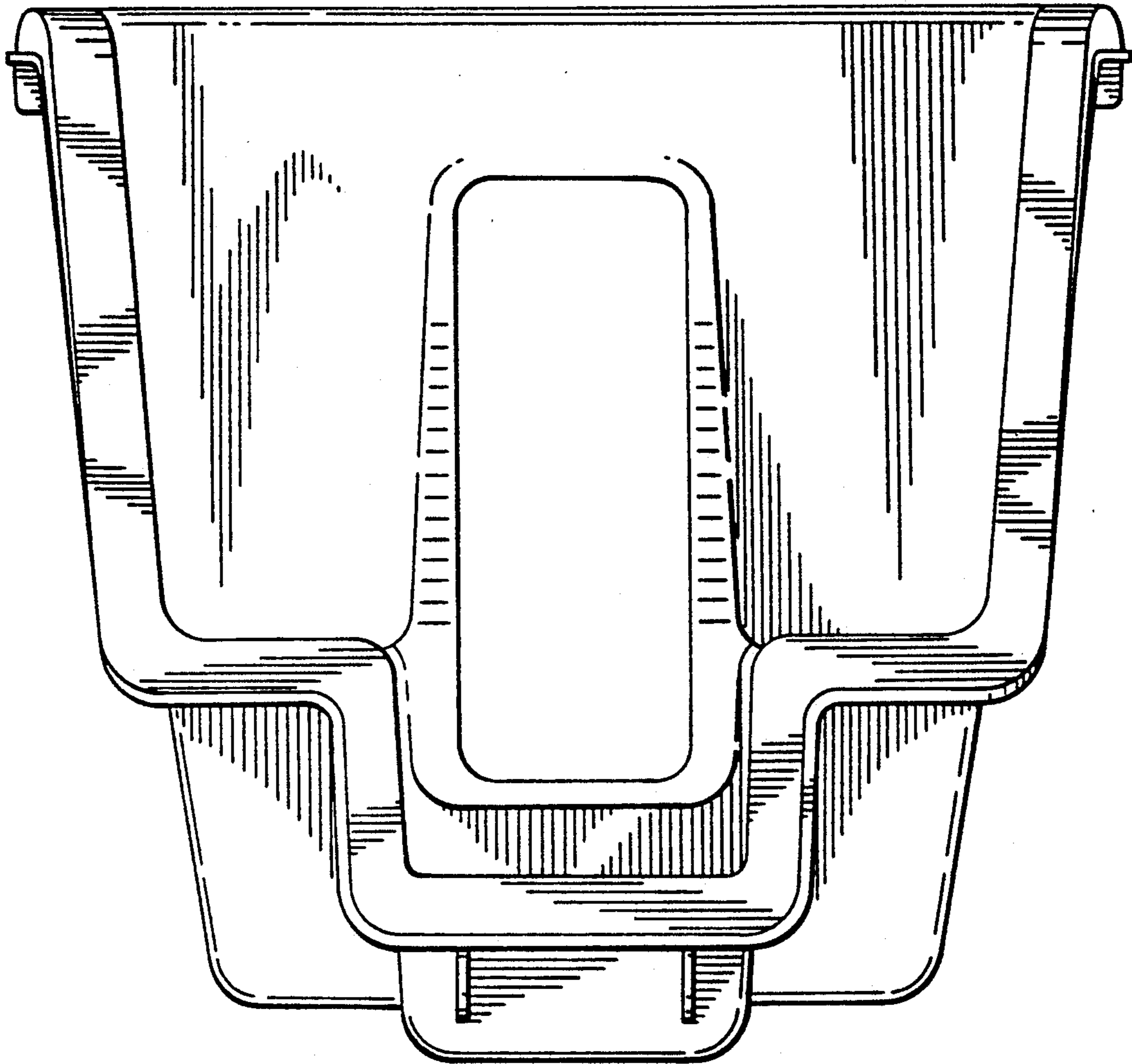


FIG. 5

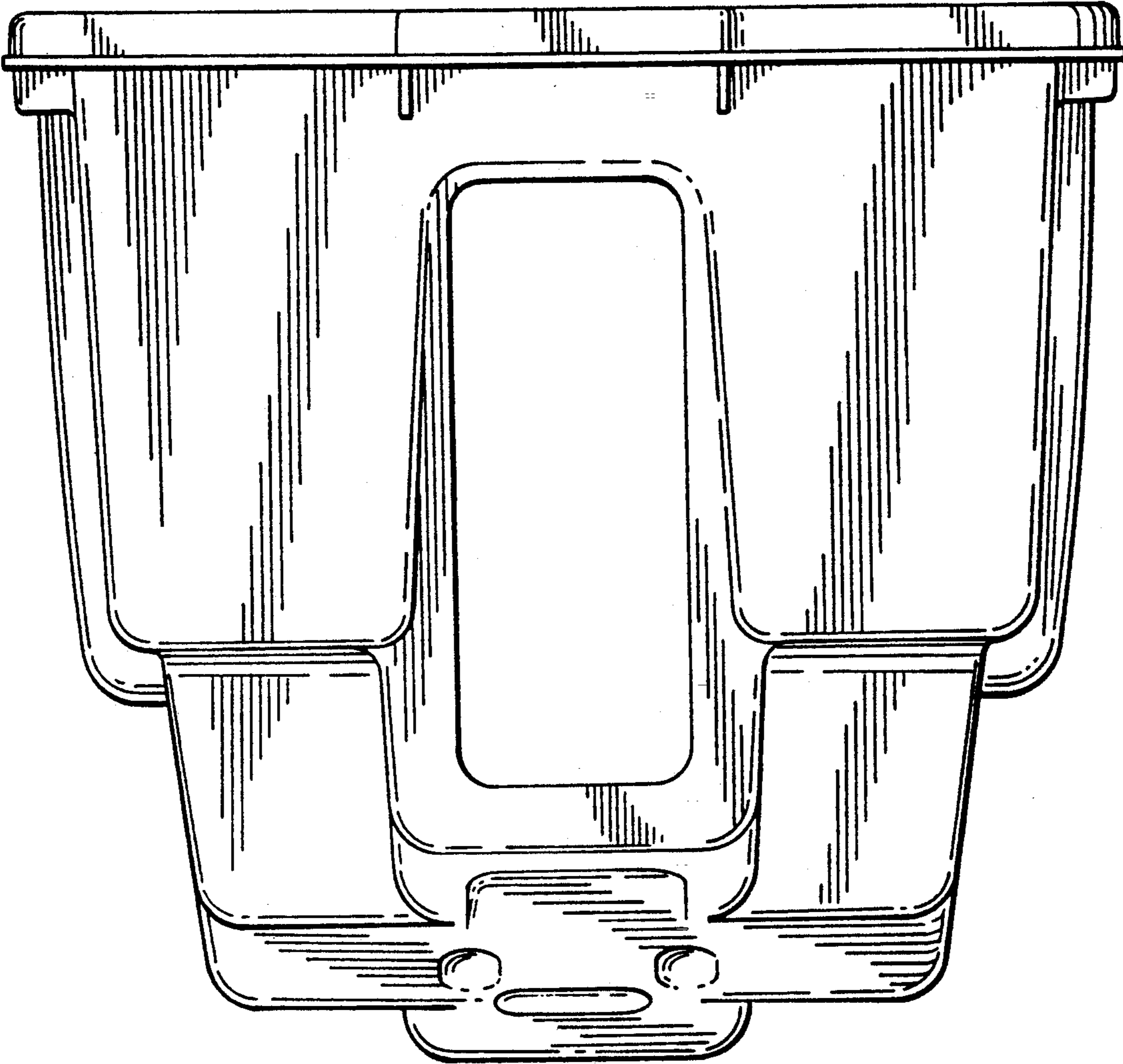


FIG. 6