



US00D333044S

United States Patent [19]

[11] Patent Number: **Des. 333,044**

Caruso

[45] Date of Patent: **** Feb. 9, 1993**

[54] CHAIR

Attorney, Agent, or Firm—Silverman, Cass & Singer, Ltd.

[75] Inventor: **Jerome C. Caruso**, Lake Forest, Ill.

[57] **CLAIM**

[73] Assignee: **Shelby Williams Industries, Inc.**, Chicago, Ill.

The ornamental design for a chair, as shown and described.

[**] Term: **14 Years**

DESCRIPTION

[21] Appl. No.: **583,368**

FIG. 1 is a front perspective view of a chair, showing my new design;

[22] Filed: **Sep. 17, 1990**

FIG. 2 is a top plan view thereof;

[52] U.S. Cl. **D6/373; D6/375; D6/379**

FIG. 3 is a front elevational view thereof;

[58] Field of Search **D6/334, 371-376, D6/379, 380, 500-502, 388; 297/239, 457**

FIG. 4 is a side elevational view, the opposite side being a mirror image thereof;

[56] **References Cited**

U.S. PATENT DOCUMENTS

D. 153,162	3/1949	Nelems	D6/375 X
D. 193,508	9/1962	Nakamura	D6/375
D. 224,824	9/1972	Buhk	D6/373
D. 243,806	3/1977	Radaelli	D6/372
5,123,702	6/1992	Caruso	297/457 X

FIG. 5 is a bottom plan view thereof;

FIG. 6 is a rear elevational view thereof;

FIG. 7 is a rear perspective view thereof;

FIG. 8 is a front perspective view of a chair, showing an alternate embodiment of my new design;

FIG. 9 is a top plan view thereof;

FIG. 10 is a front elevational view thereof;

FIG. 11 is a side elevational view, the opposite side being a mirror image thereof;

FIG. 12 is a bottom plan view thereof;

FIG. 13 is a rear elevational view thereof; and,

FIG. 14 is a rear perspective view thereof.

Primary Examiner—Nelson C. Holtje

Assistant Examiner—J. E. Seeger

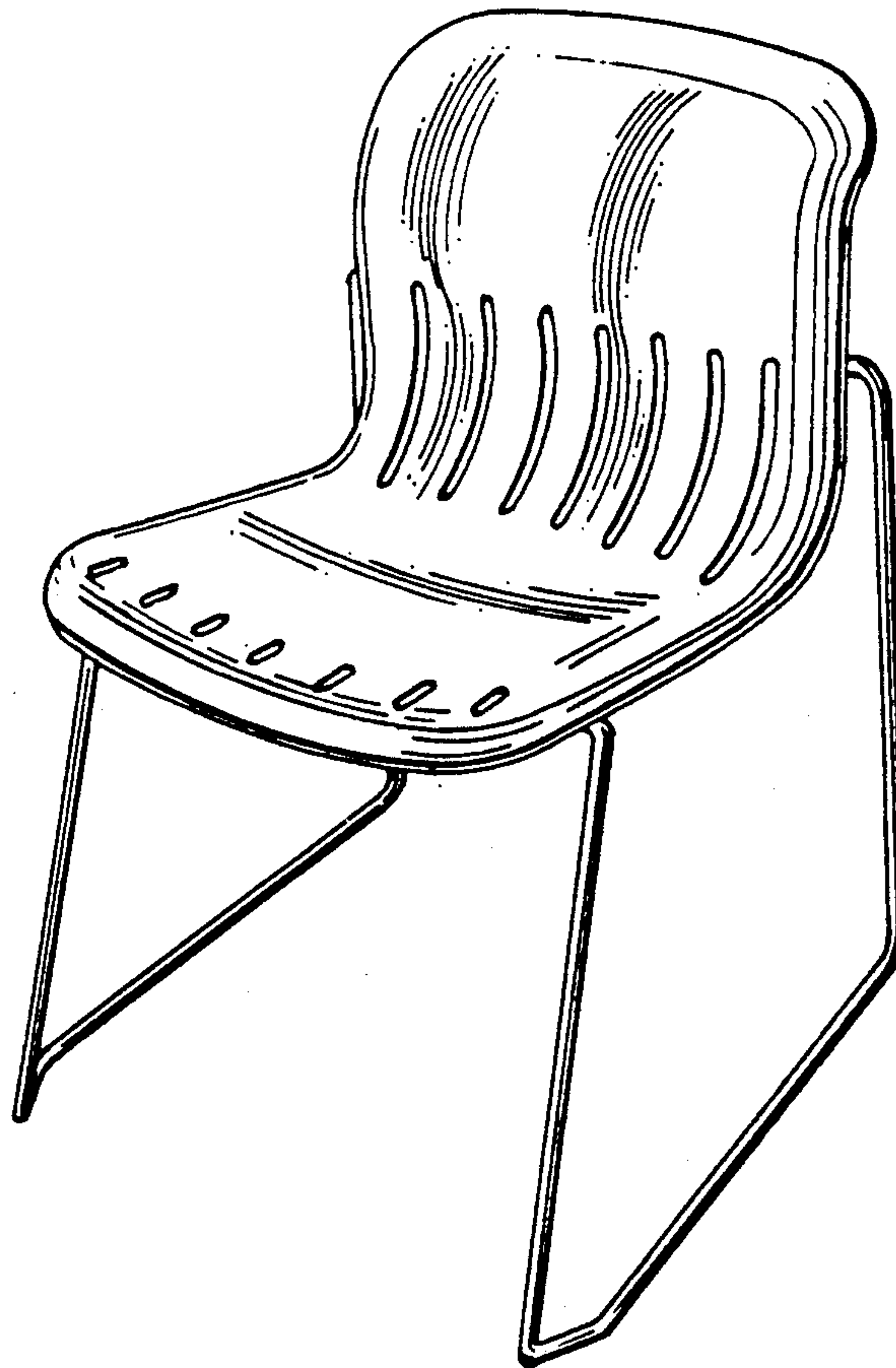


FIG. 1

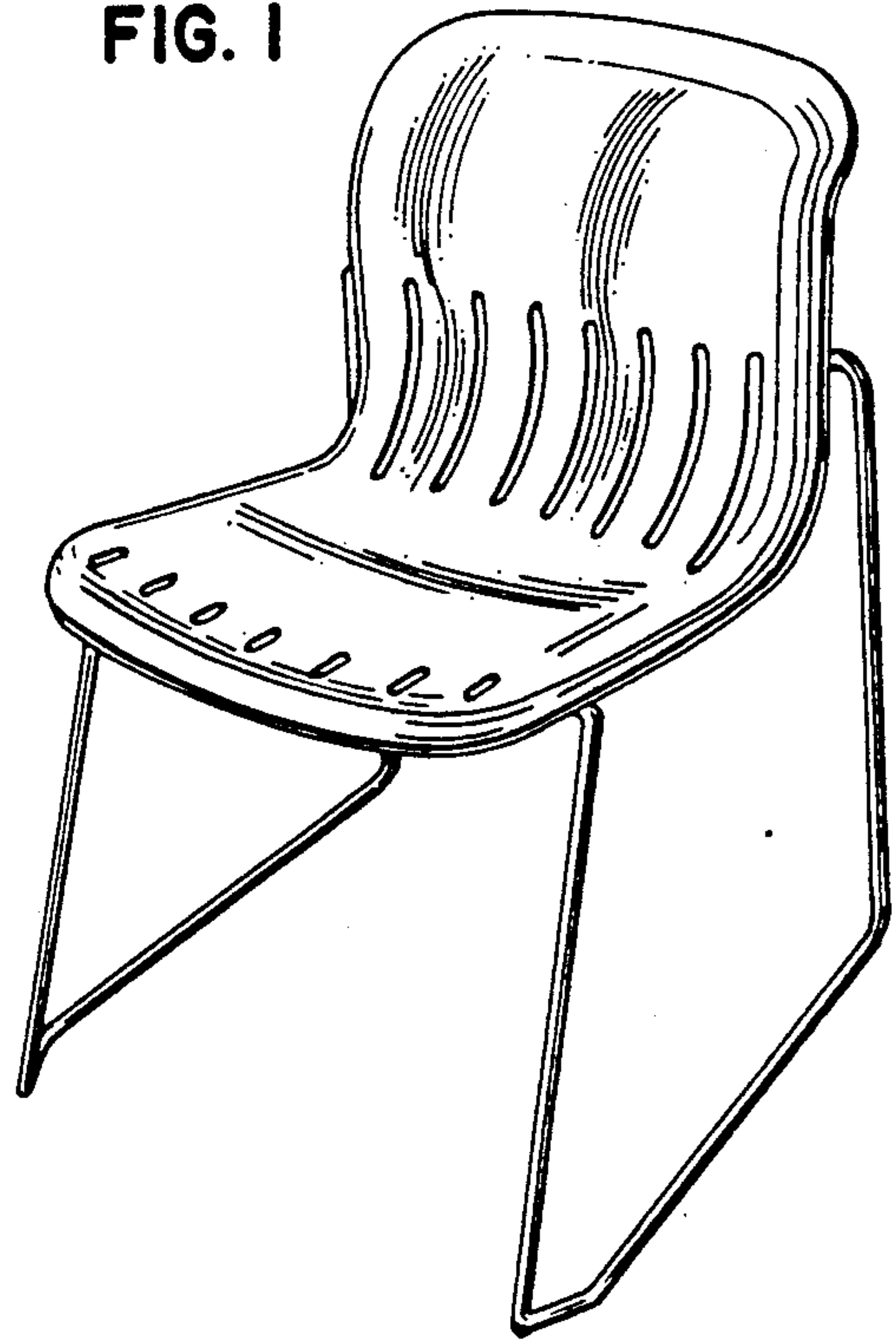


FIG. 2

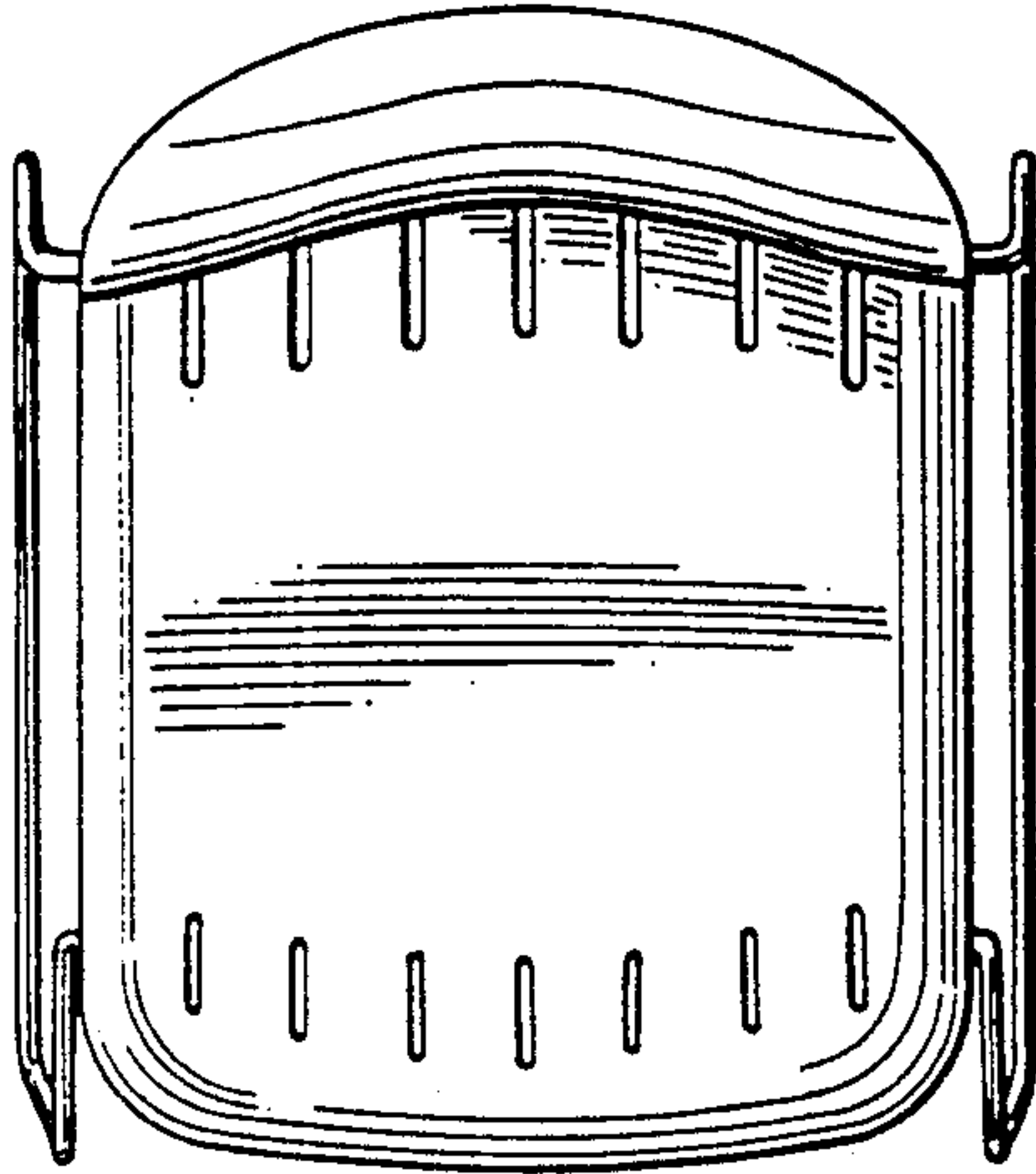


FIG. 3

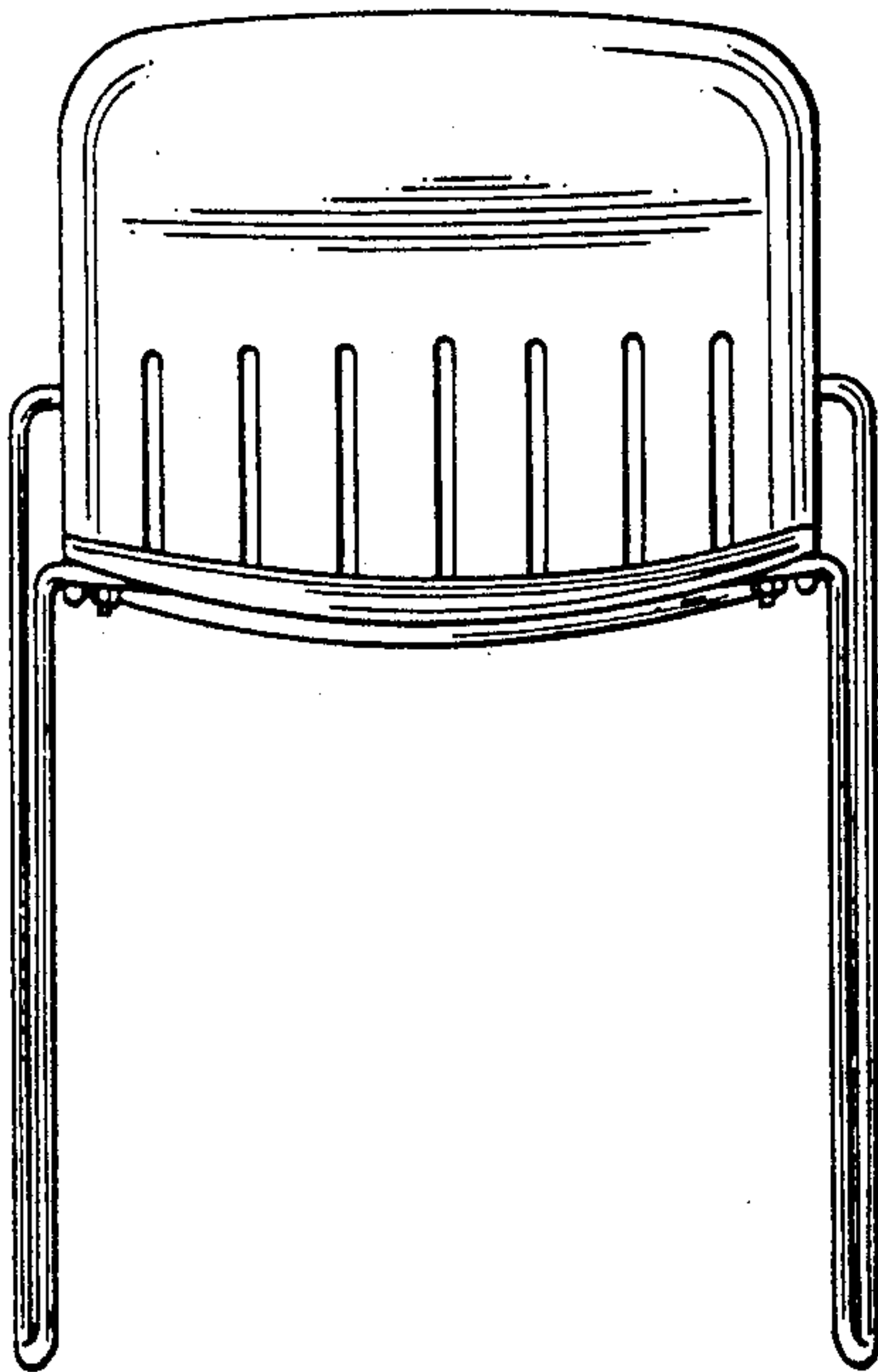


FIG. 4

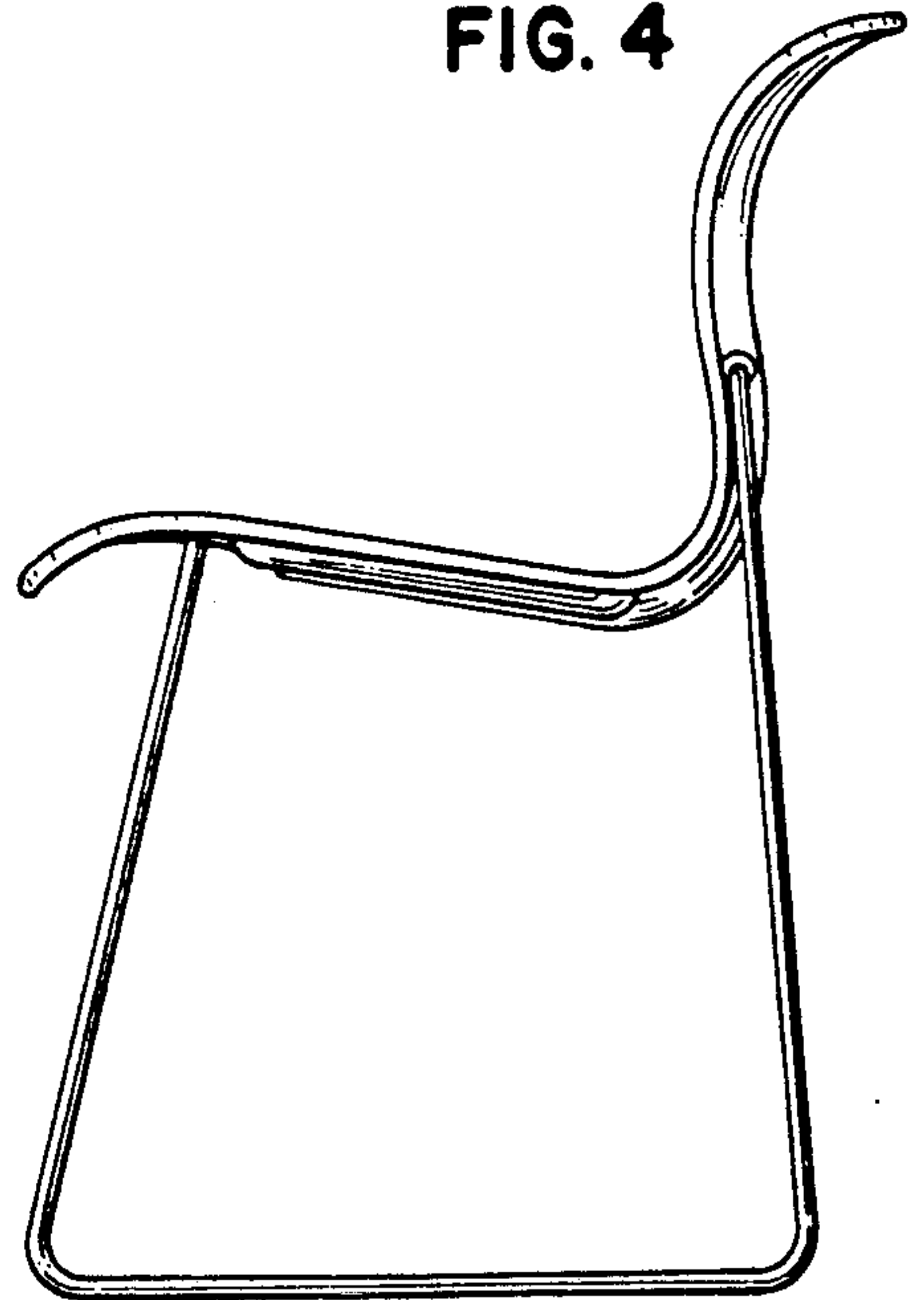


FIG. 5

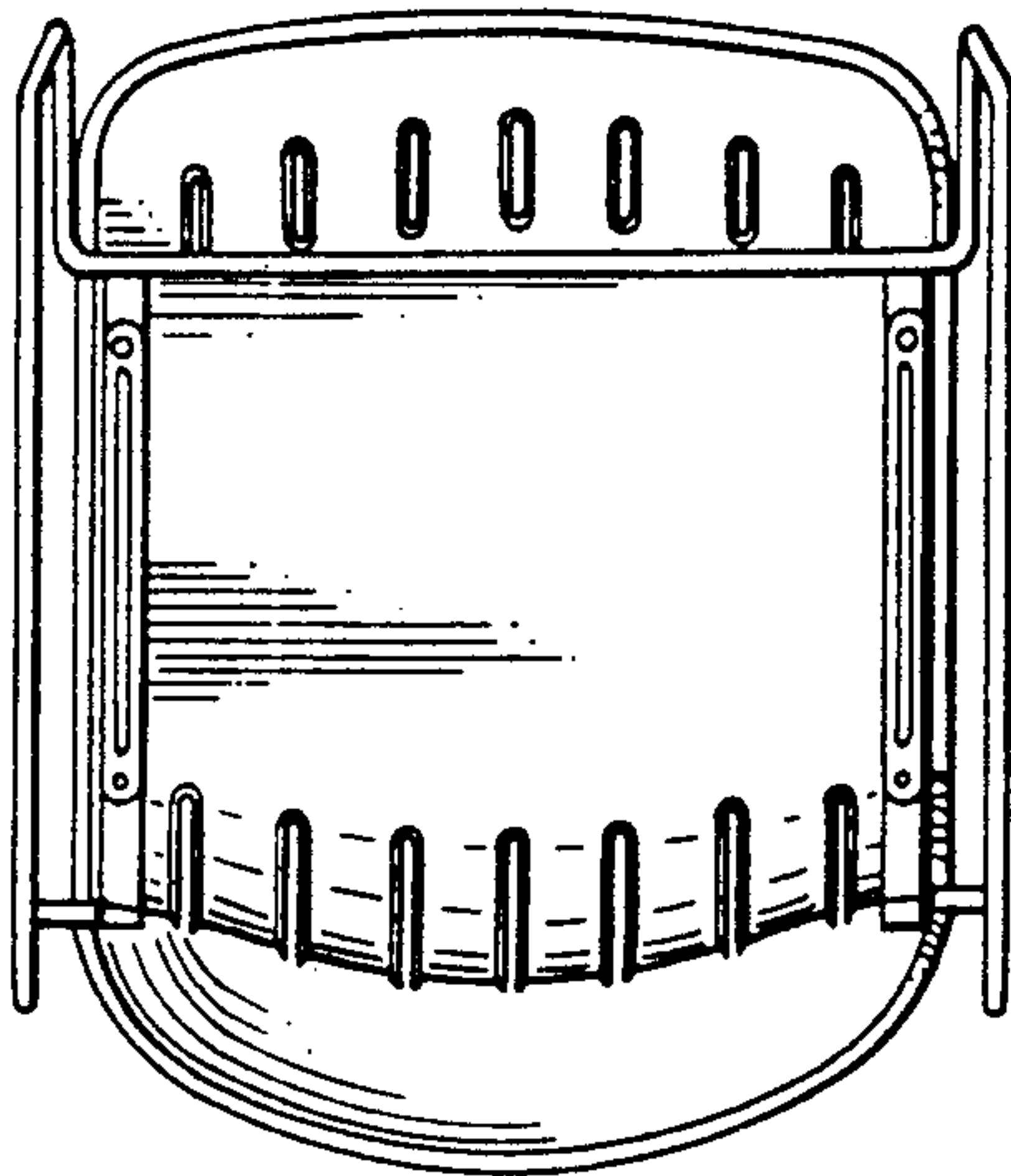


FIG. 6

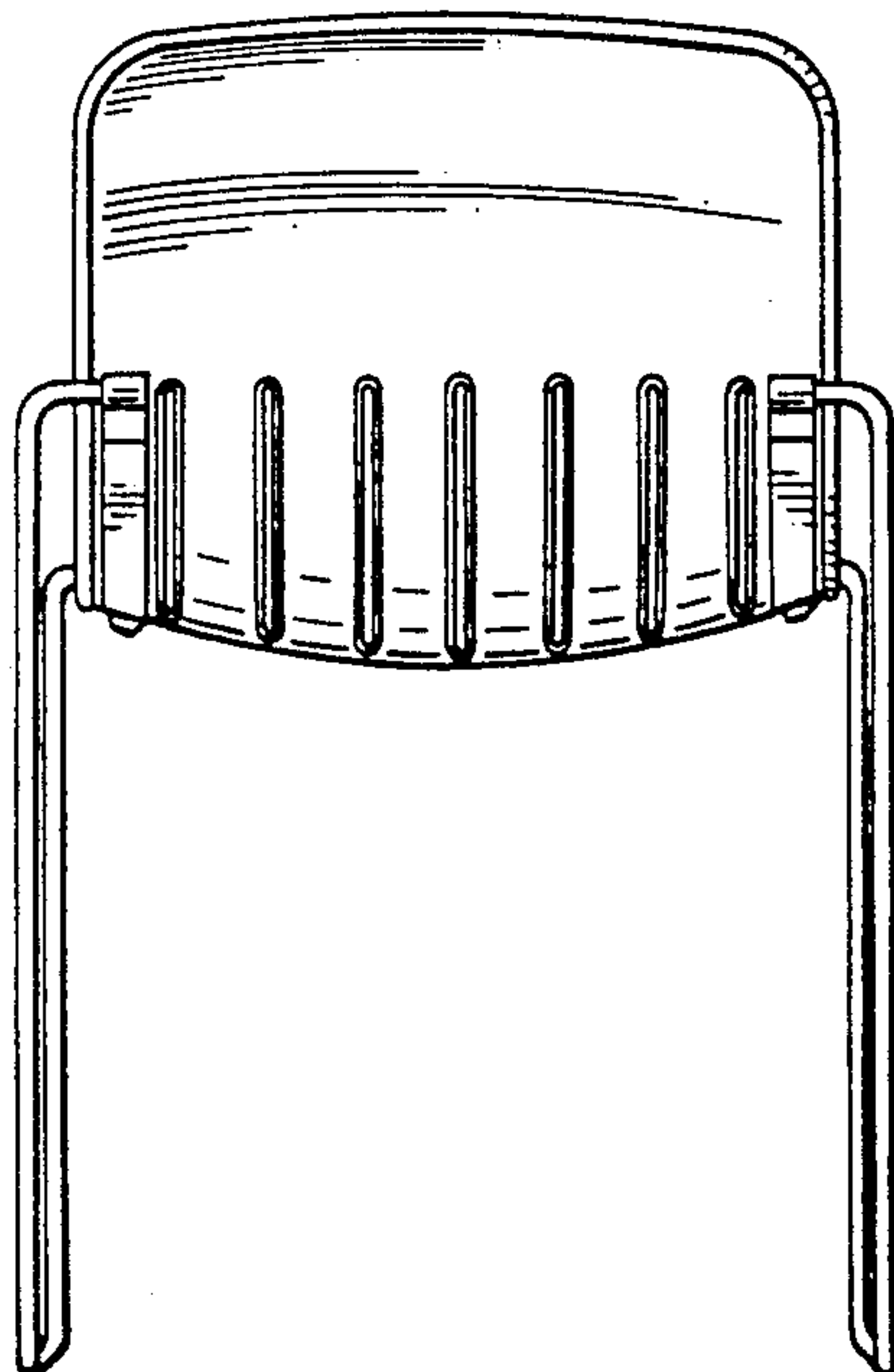


FIG. 7

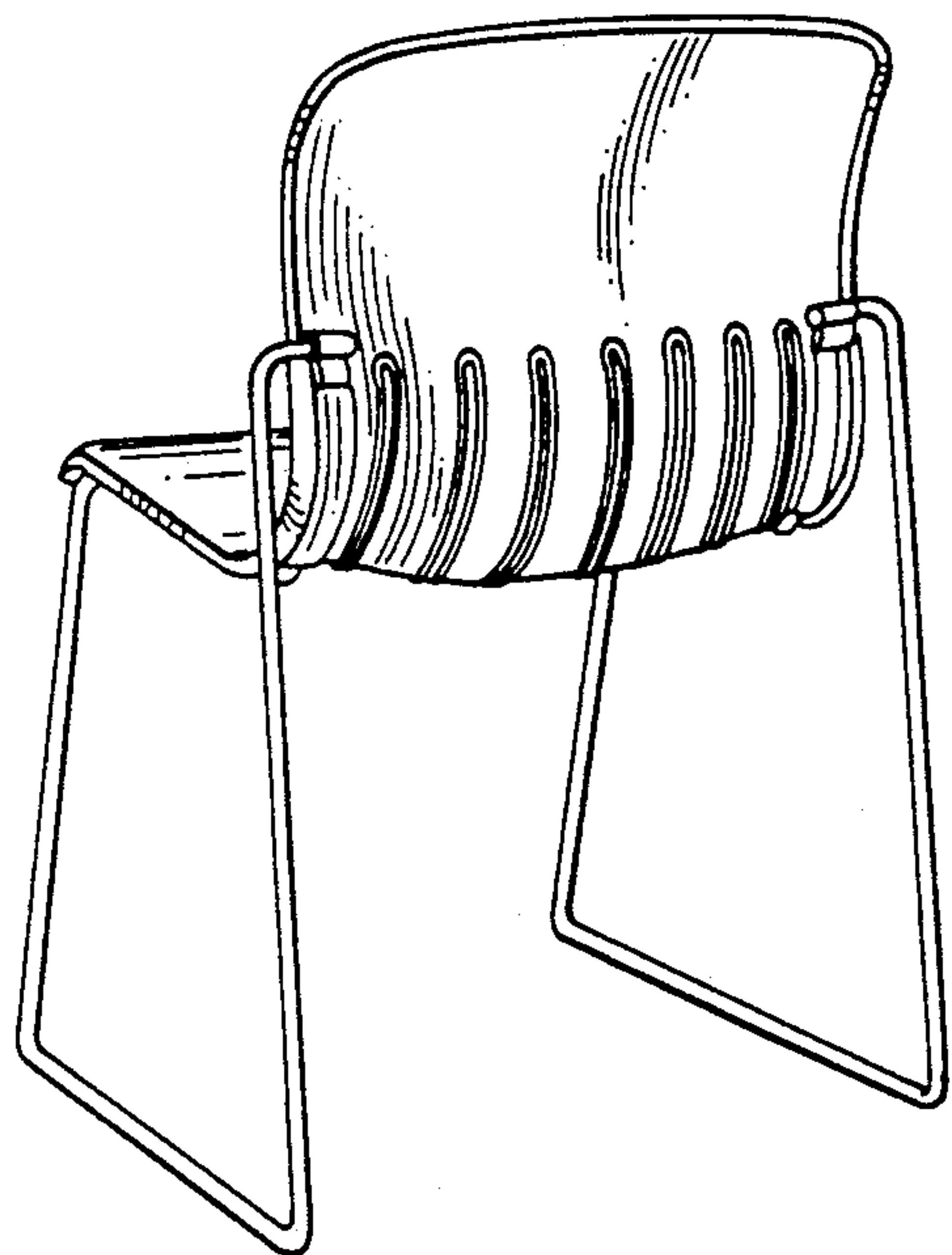


FIG. 9

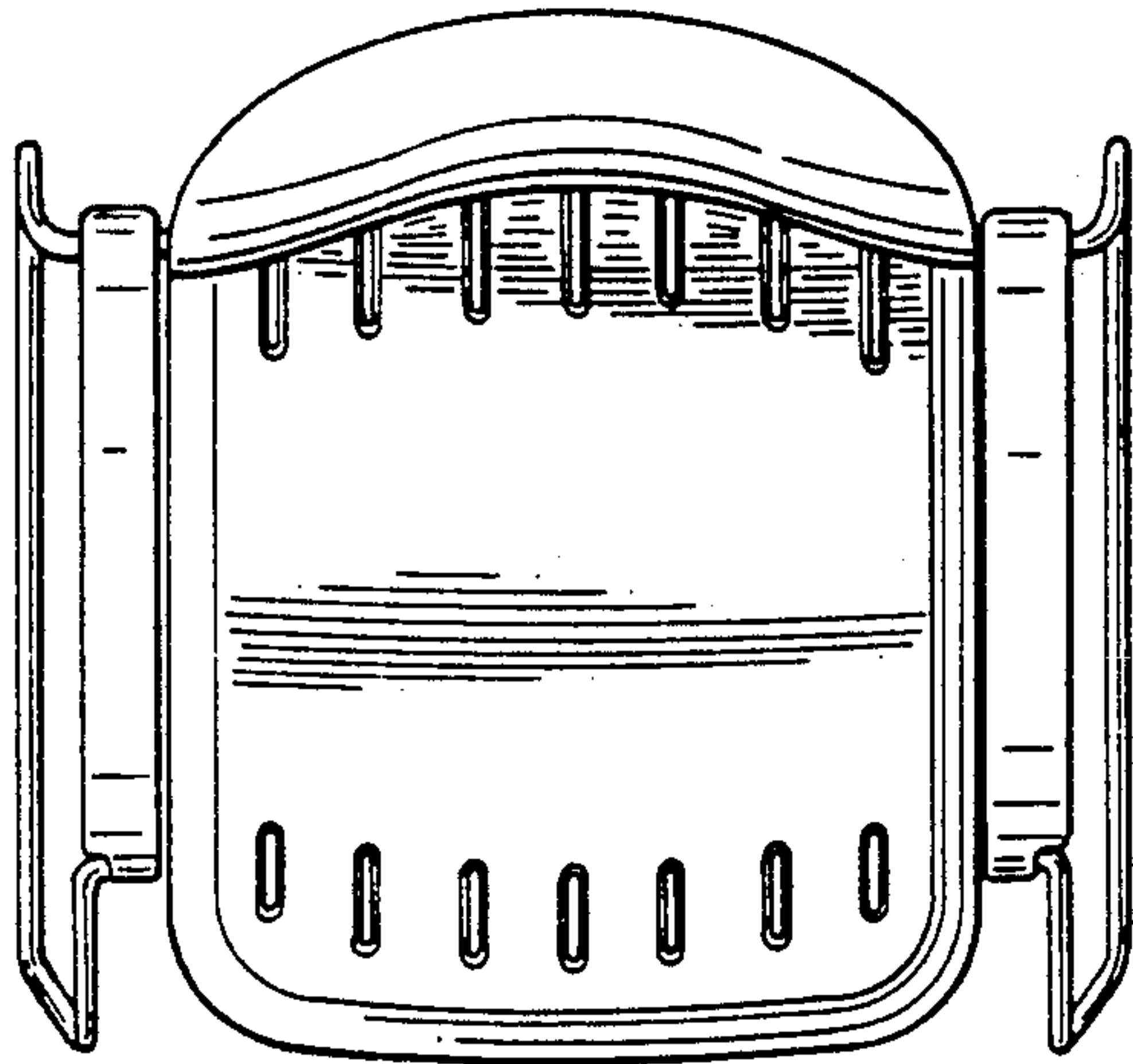


FIG. 8

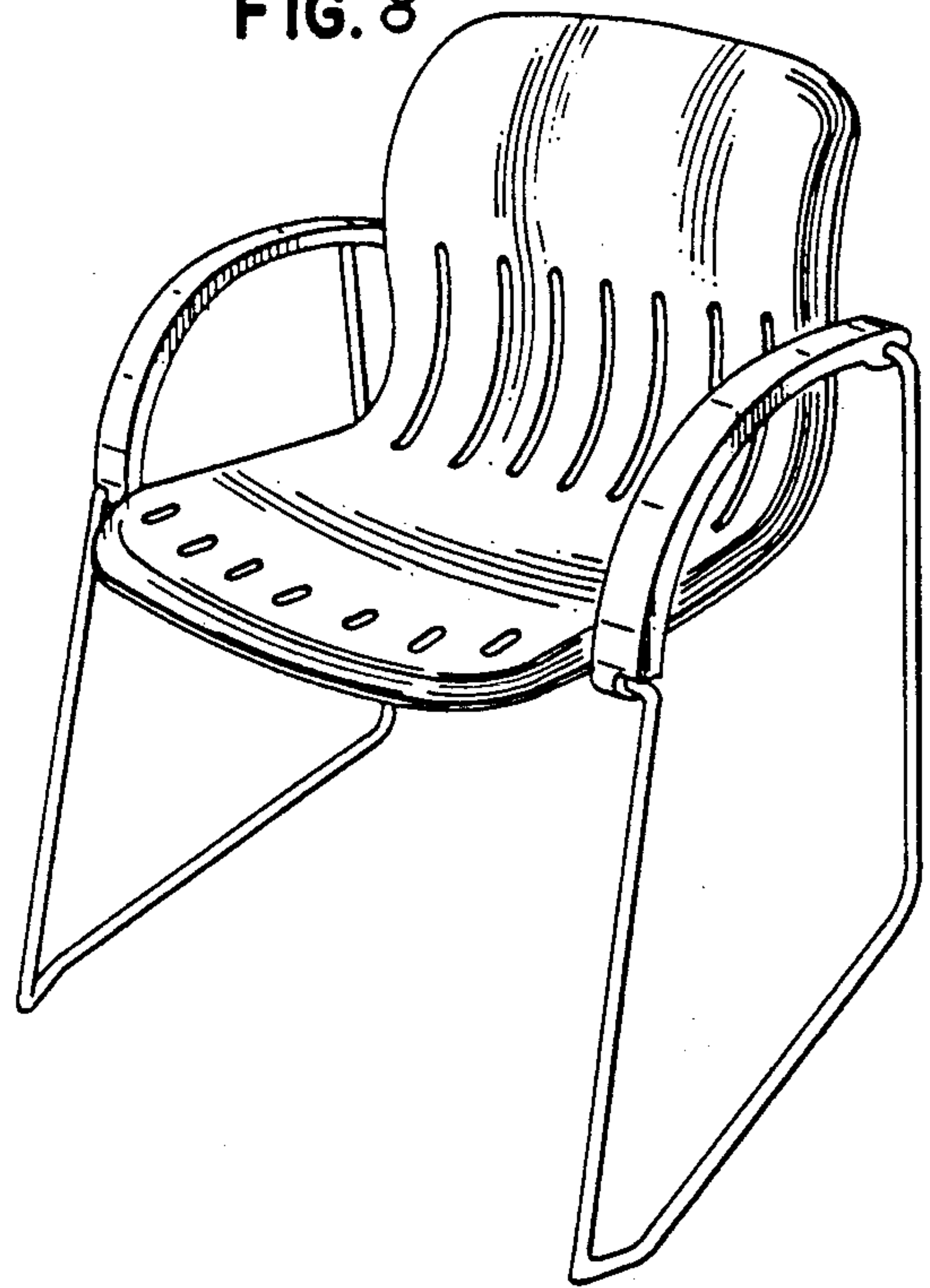


FIG. 10

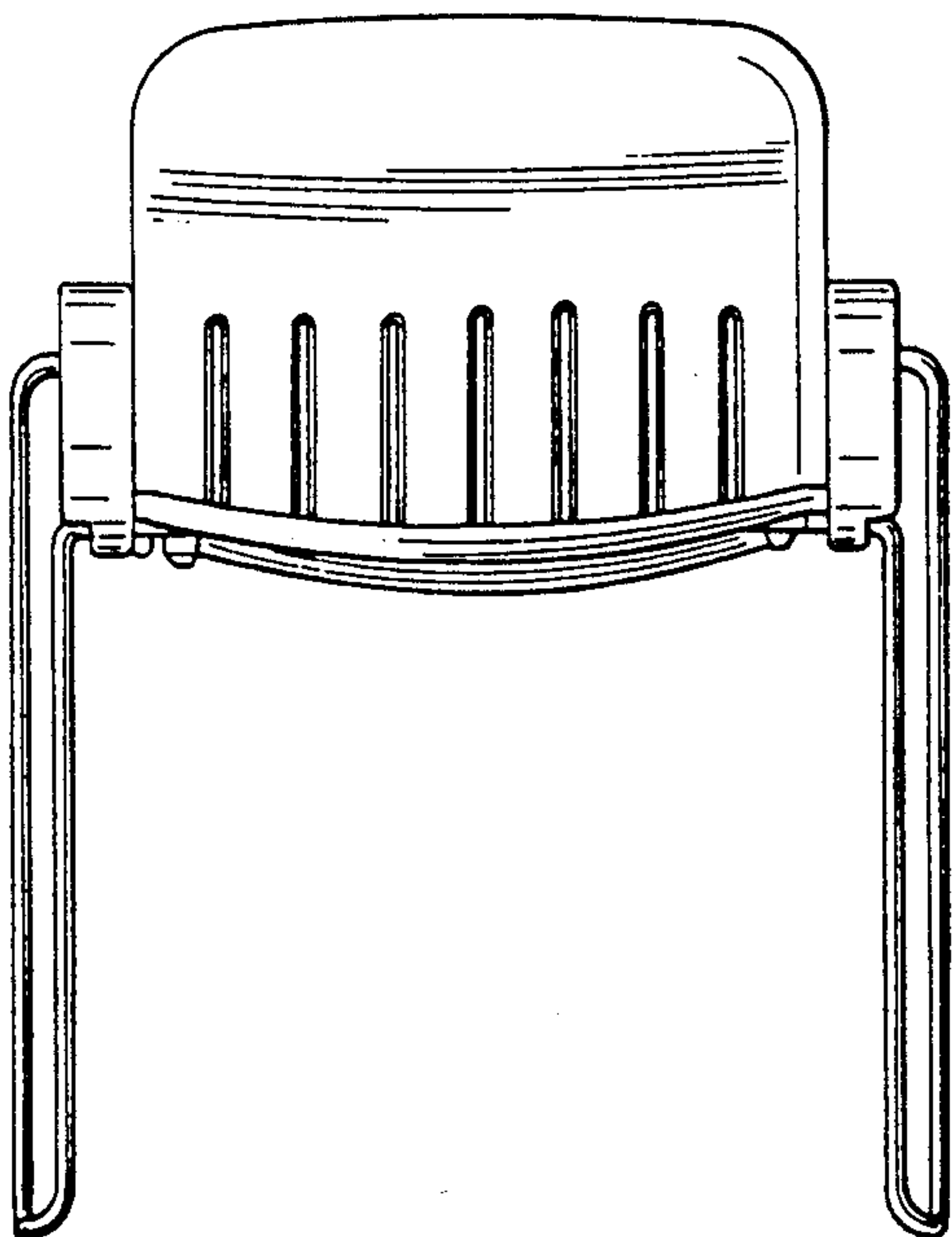


FIG. 11

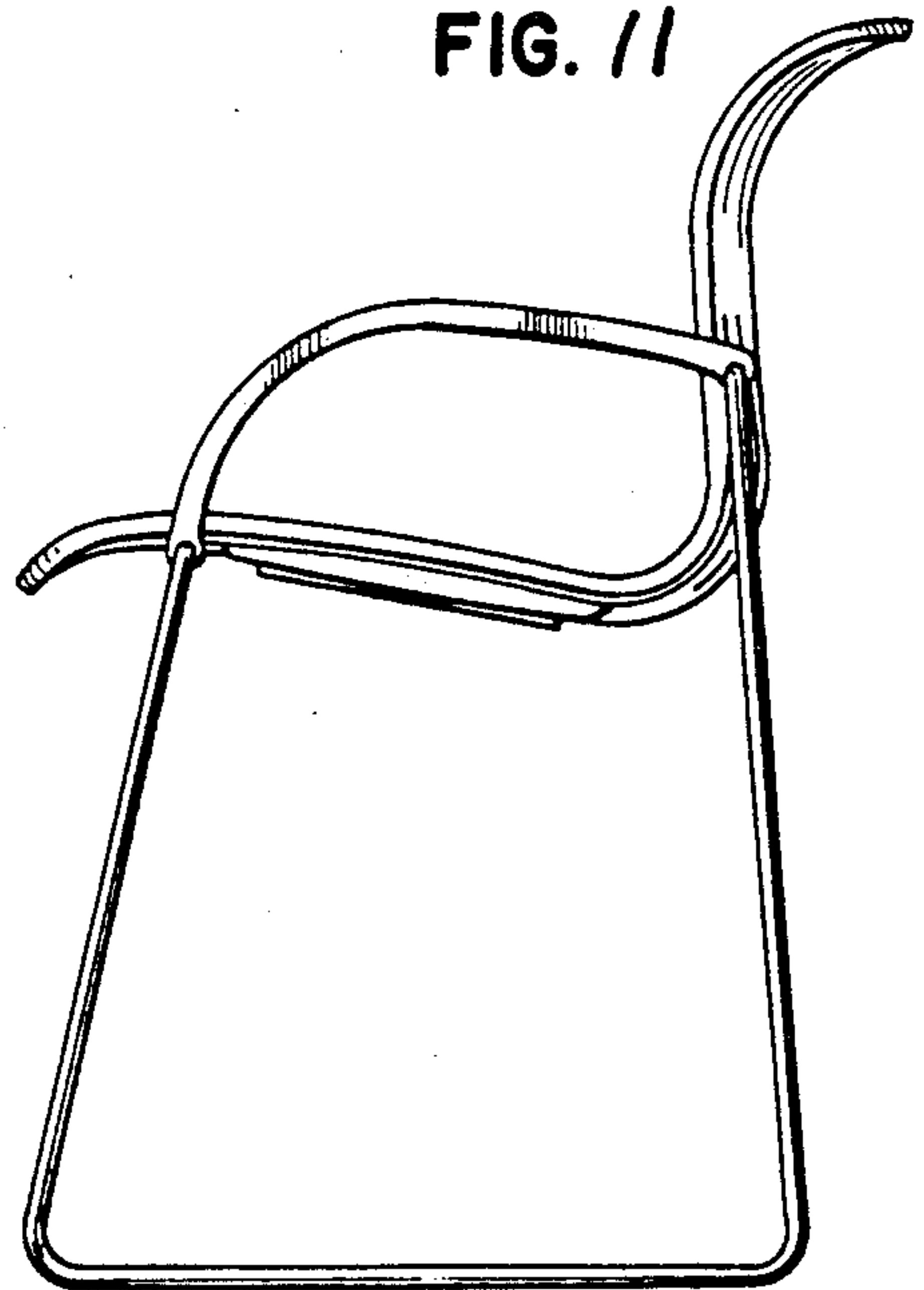


FIG. 12

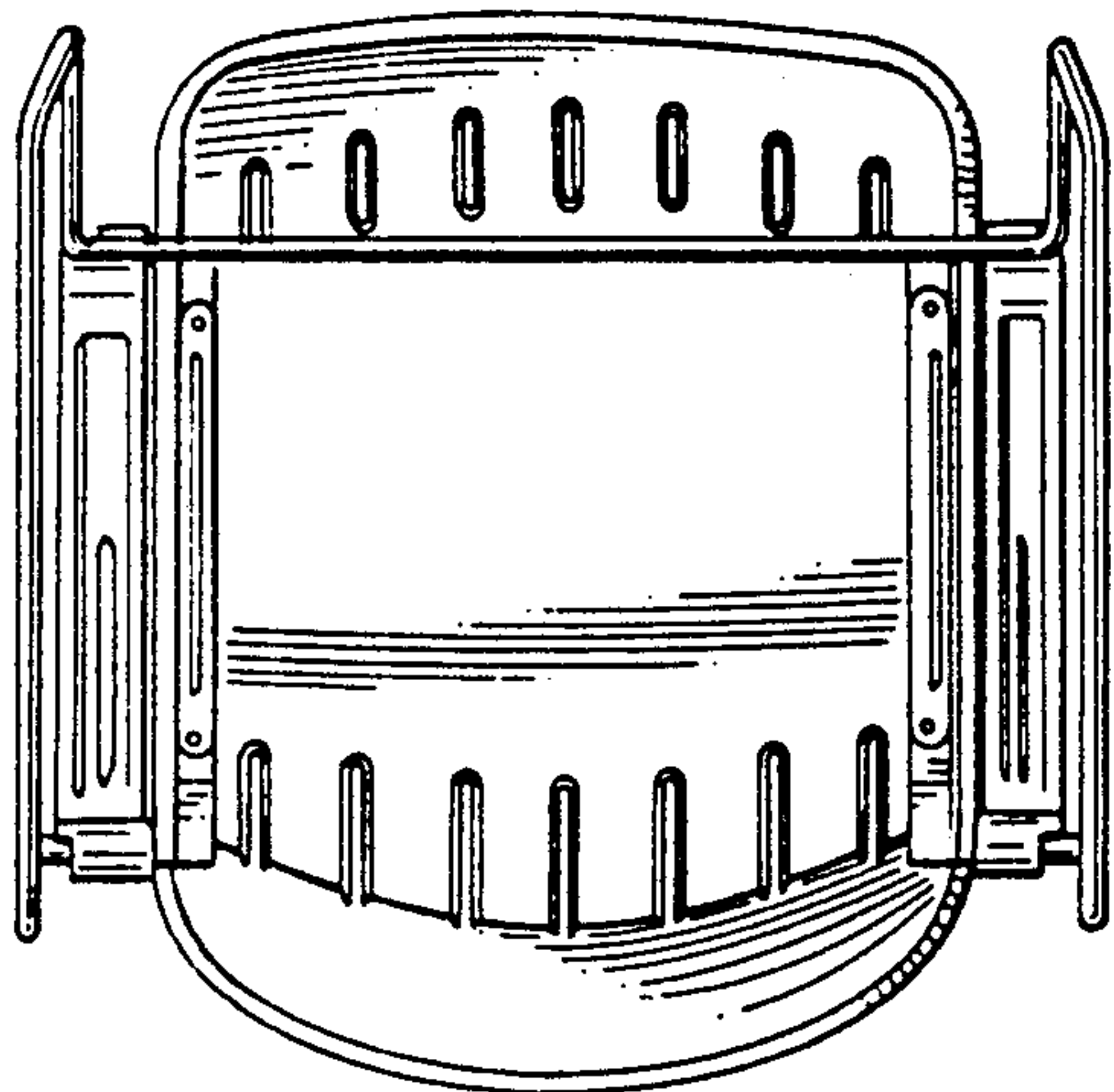


FIG. 14

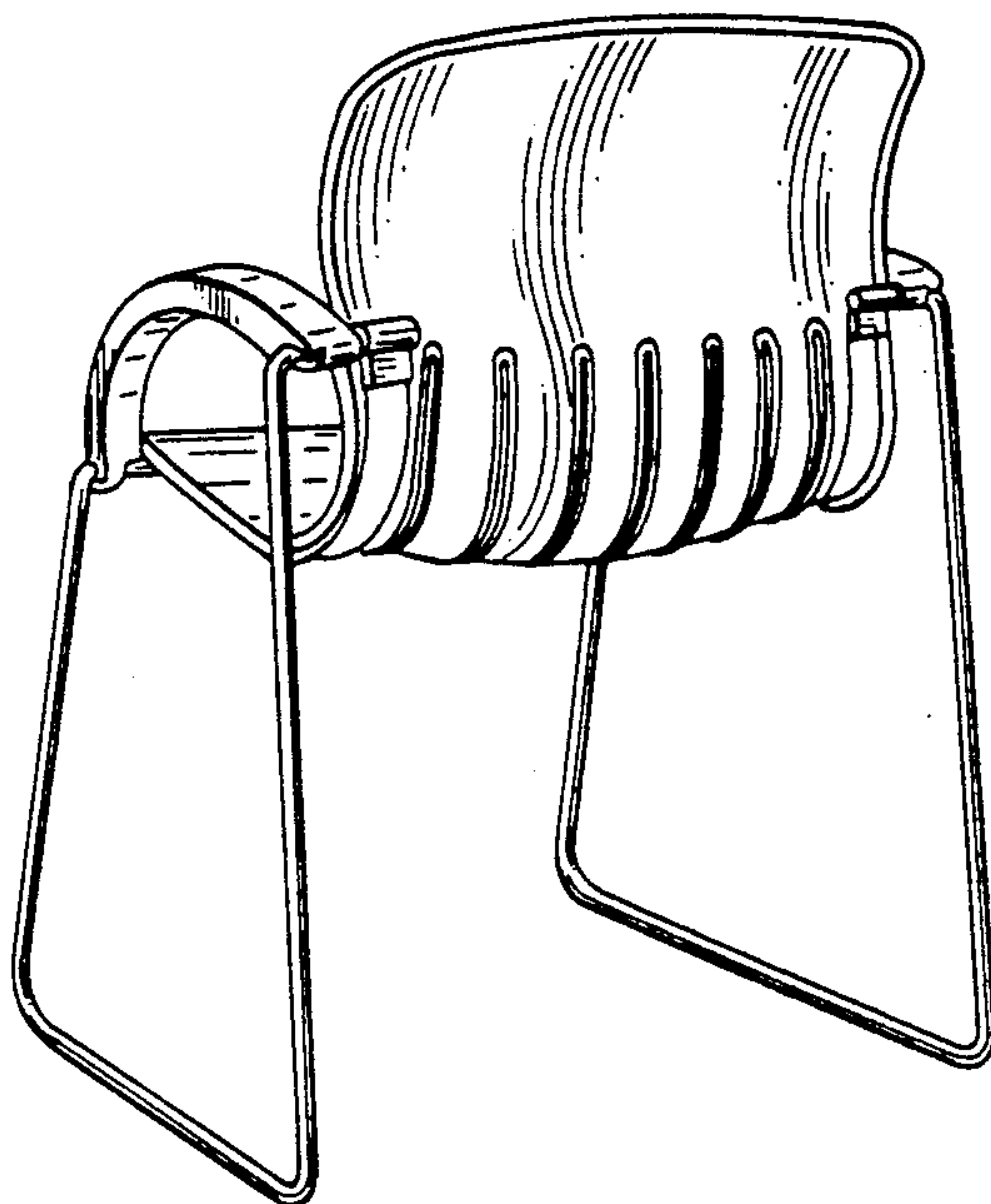


FIG. 13

