



US00D333038S

United States Patent [19]
Collins

[11] **Patent Number: Des. 333,038**
[45] **Date of Patent: ** Feb. 9, 1993**

[54] **HOCKEY EQUIPMENT BAG**

[75] **Inventor: Greg Collins, Toronto, Canada**

[73] **Assignee: Canstar Sports Group Inc., Quebec, Canada**

[**] **Term: 14 Years**

[21] **Appl. No.: 623,242**

[22] **Filed: Dec. 4, 1990**

[30] **Foreign Application Priority Data**

Jun. 4, 1990 [CA] Canada 04069013
[52] **U.S. Cl. D3/36; D3/32**
[58] **Field of Search D3/36, 71, 76, 30.1, D3/32, 31-35; 206/278, 315.1, 286, 287, 287.1, 235, 316.1, 316.2, 349, 372, 373, 472, 44 R; 190/109, 111, 112, 115, 113, 903, 114, 108; 383/41, 97, 14, 17, 19, 39, 40, 54; 224/32 A, 908, 153, 154; 312/224, DIG. 33**

[56] **References Cited**

U.S. PATENT DOCUMENTS

D. 17,791 10/1887 Becker D3/33
D. 249,189 8/1978 Stewart D3/32
D. 249,594 9/1978 Stewart D3/32
D. 302,211 7/1989 Seary D3/71
D. 315,825 4/1991 Hutton et al. D3/71 X
3,994,372 11/1976 Geller et al. D3/71 X

Primary Examiner—A. Hugo Word
Assistant Examiner—Paula A. Mortimer
Attorney, Agent, or Firm—Knobbe, Martens, Olson & Bear

[57] **CLAIM**

The ornamental design for a hockey equipment bag, as shown and described.

DESCRIPTION

FIG. 1 is a front perspective view of a hockey equipment bag showing my new design;
FIG. 2, is a front elevational view thereof;
FIG. 3, is a rear elevational view thereof;
FIG. 4 is a side elevational view the opposite side is a mirror image thereof;
FIG. 5, is a top plan view thereof; and,
FIG. 6, is a bottom plan view thereof.

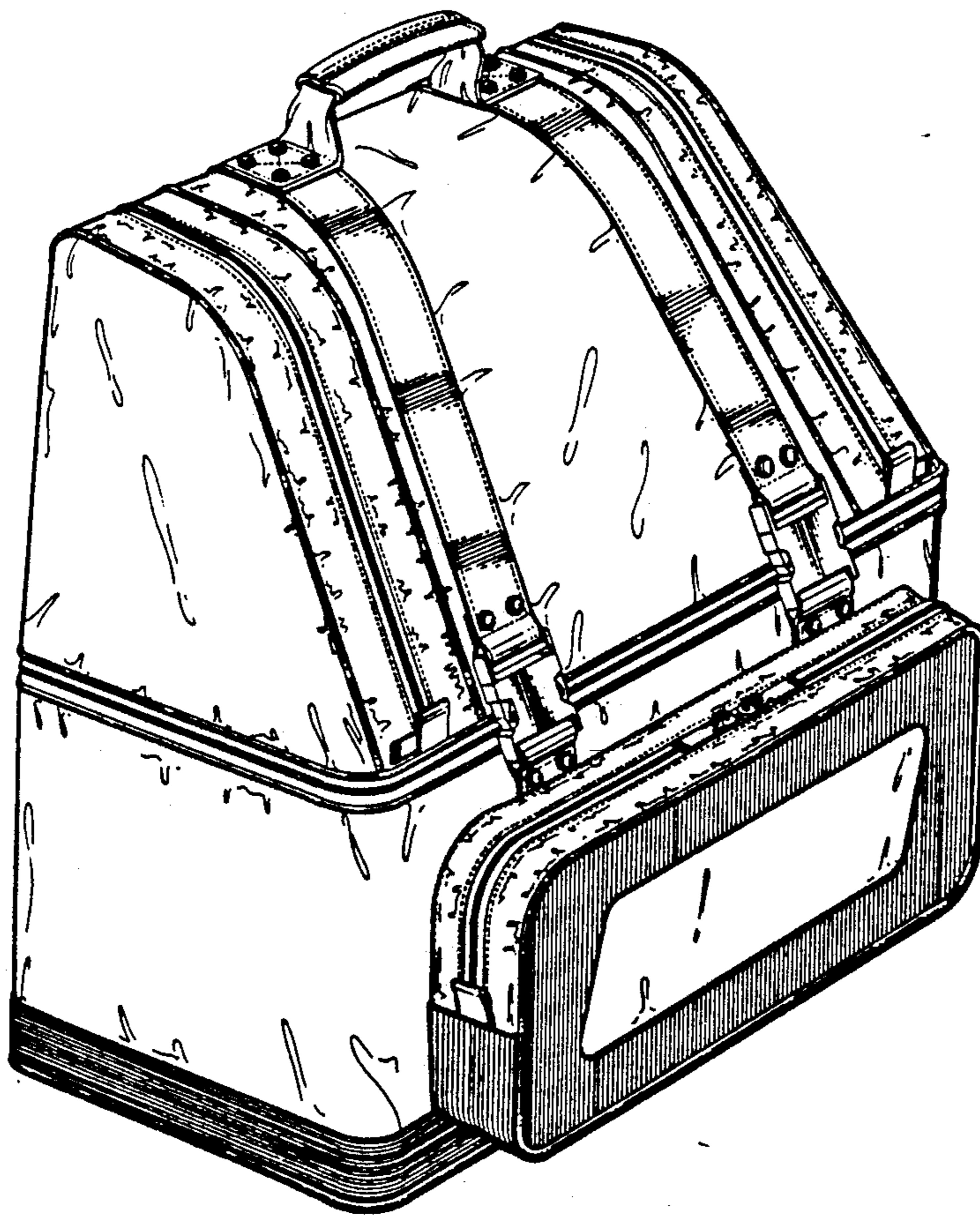


FIG. 1.

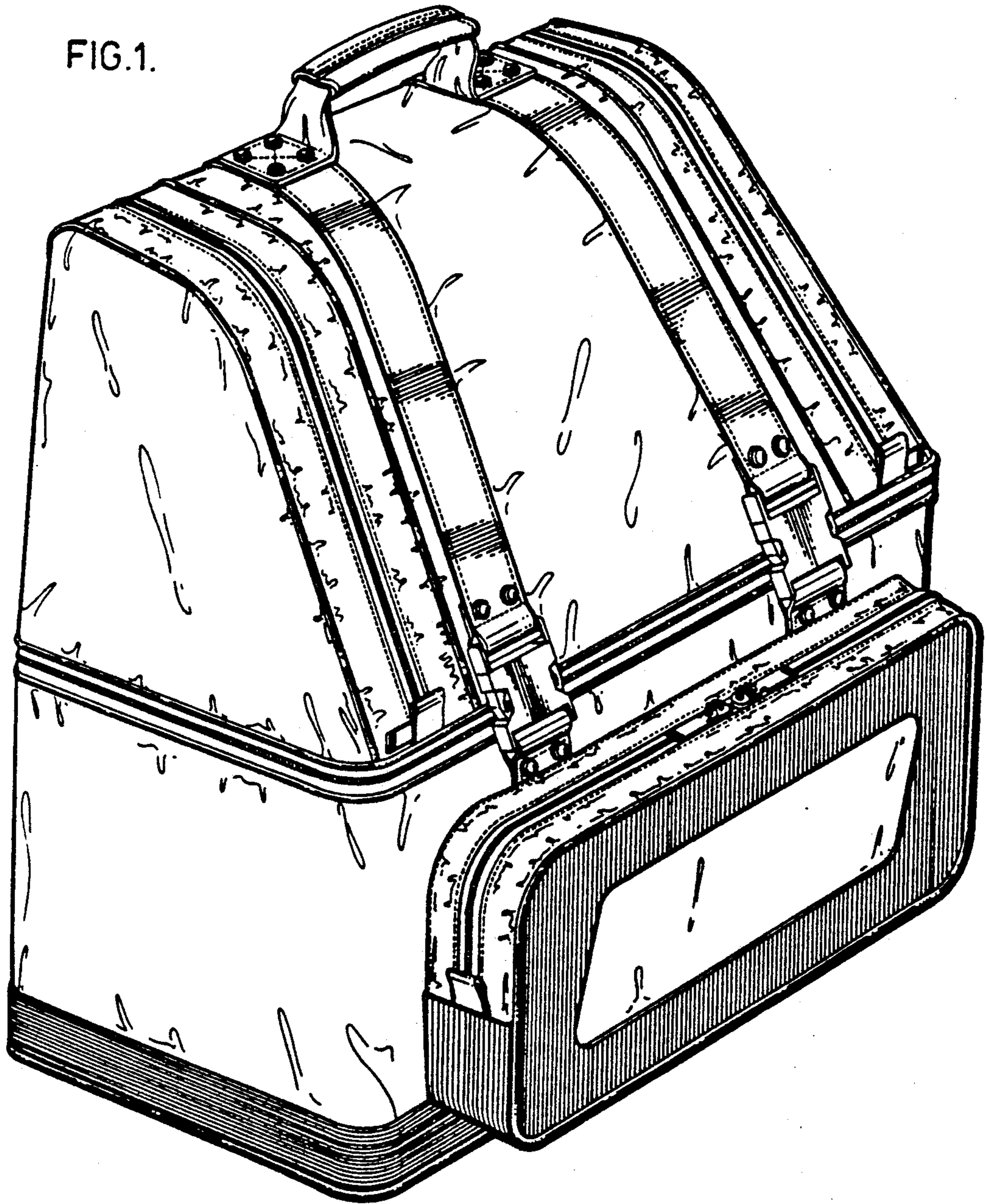


FIG. 2.

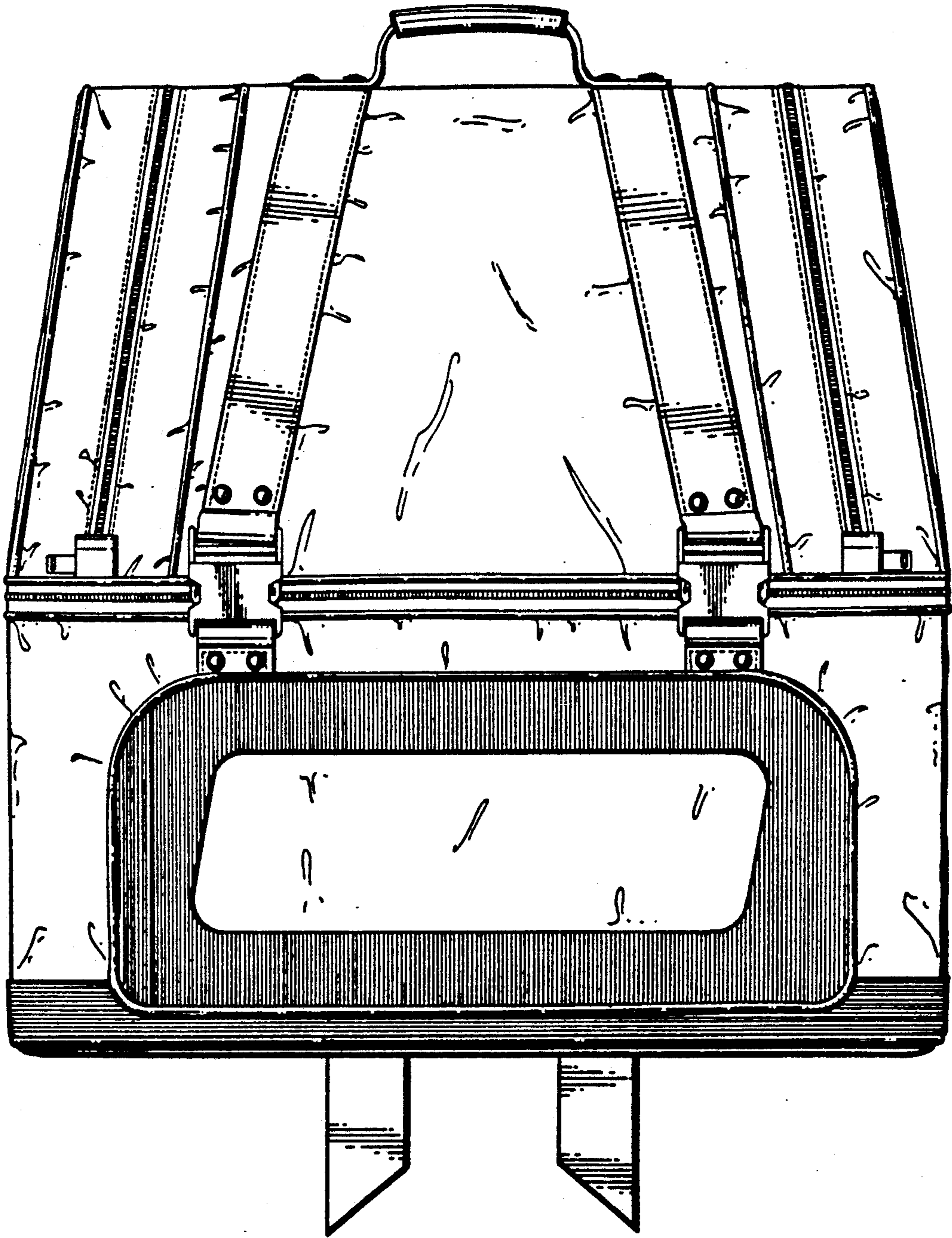


FIG. 3.

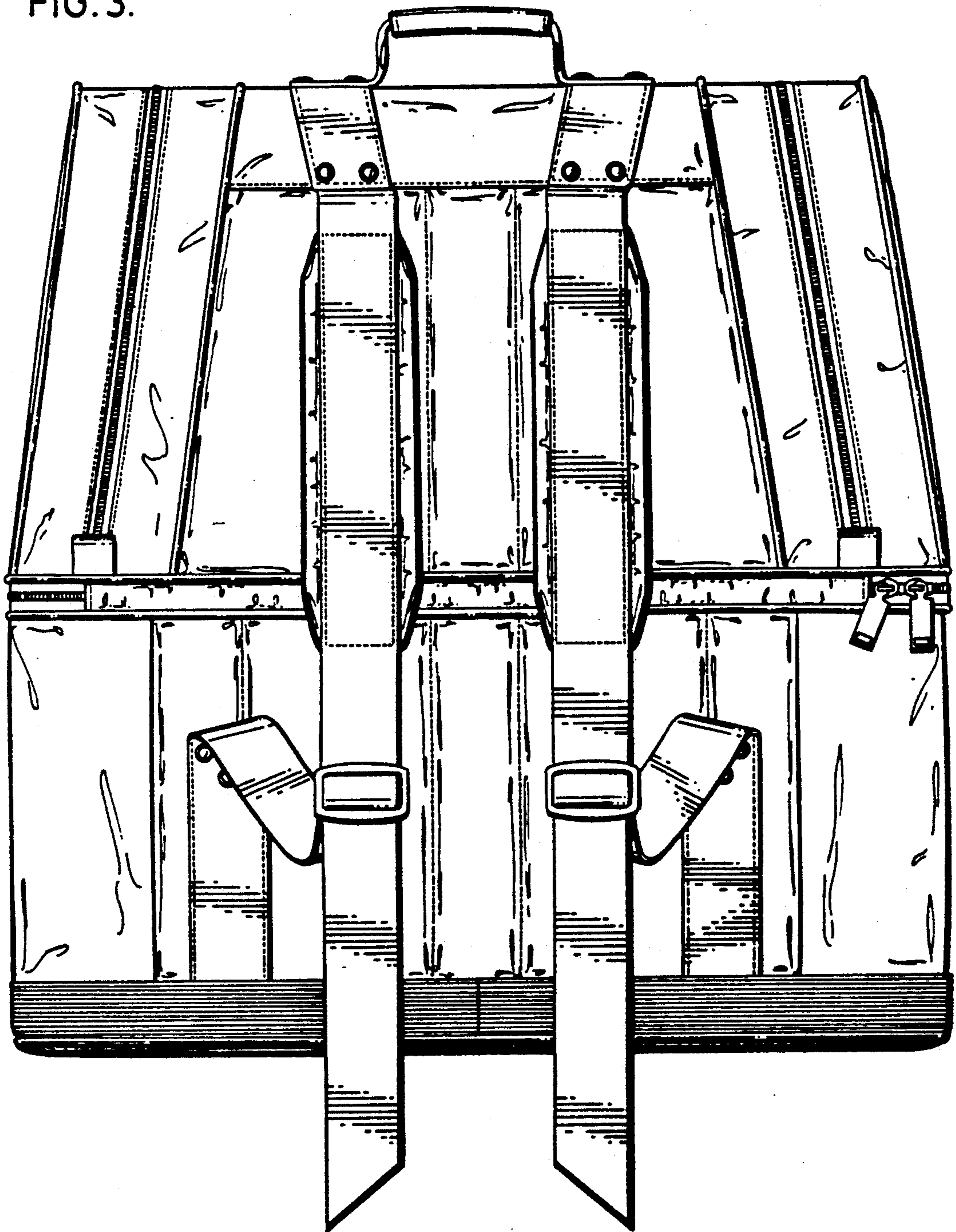


FIG. 4.

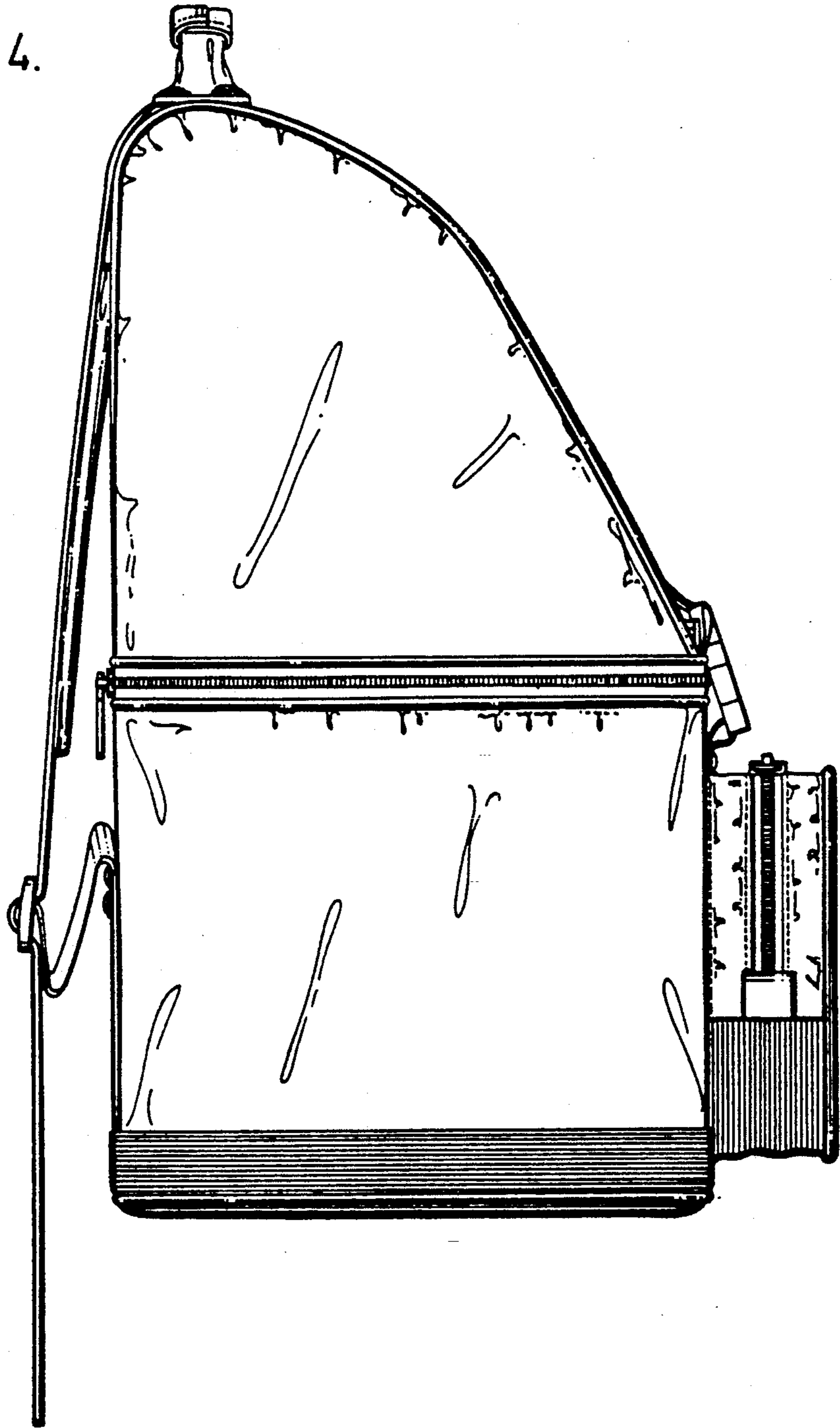


FIG. 5.

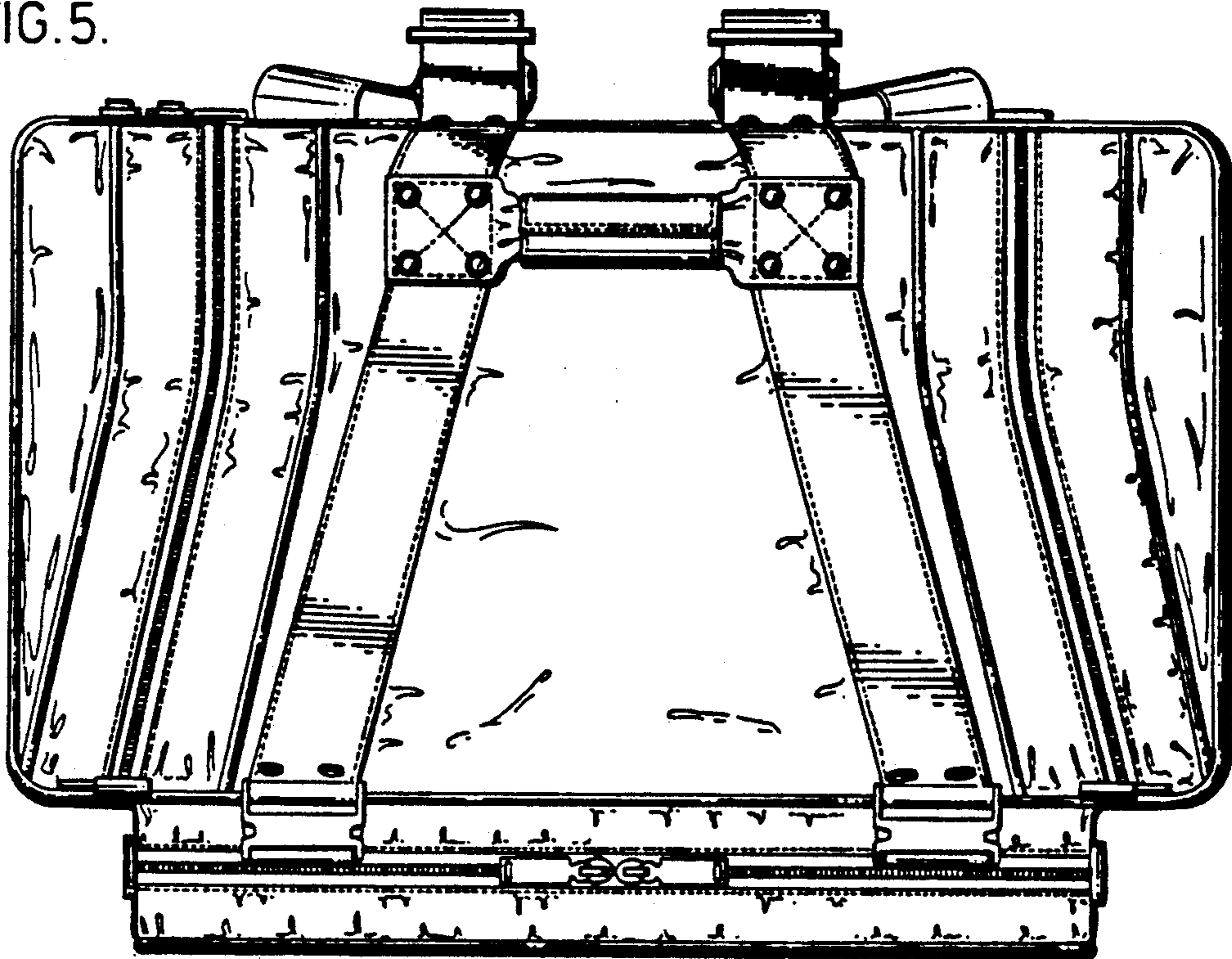


FIG. 6.

