



US00D333036S

United States Patent [19]

Sgro

[11] Patent Number: Des. 333,036

[45] Date of Patent: ** Feb. 9, 1993

[54] CONTAINER FOR A SHOE CARE KIT

[76] Inventor: Albert J. Sgro, 24450 Union Cir., Beachwood, Ohio 44122

[**] Term: 14 Years

[21] Appl. No.: 755,352

[22] Filed: Sep. 5, 1991

[52] U.S. Cl. D3/30.5

[58] Field of Search D3/30.5; D9/337, 338, D9/428, 429; 206/229; 401/125, 126

[56] References Cited

U.S. PATENT DOCUMENTS

D. 202,000	8/1965	Peterson	D9/428
D. 279,168	1/1985	Goldsmith	D9/429
D. 320,311	10/1991	Kuhn	D9/338
2,281,532	4/1942	Lewis et al.	401/125
2,689,966	9/1954	Reuss	401/125
2,864,118	12/1958	Adams et al.	206/229
2,869,168	1/1959	Morneault	401/125
2,943,344	7/1960	Reed	D3/30.5
3,000,035	9/1961	Harris	206/229
3,131,410	5/1964	Anderson et al.	206/229
3,224,572	12/1965	Meyerhoefer	401/125

FOREIGN PATENT DOCUMENTS

0758814	11/1933	France	401/125
1098454	1/1968	United Kingdom	401/126

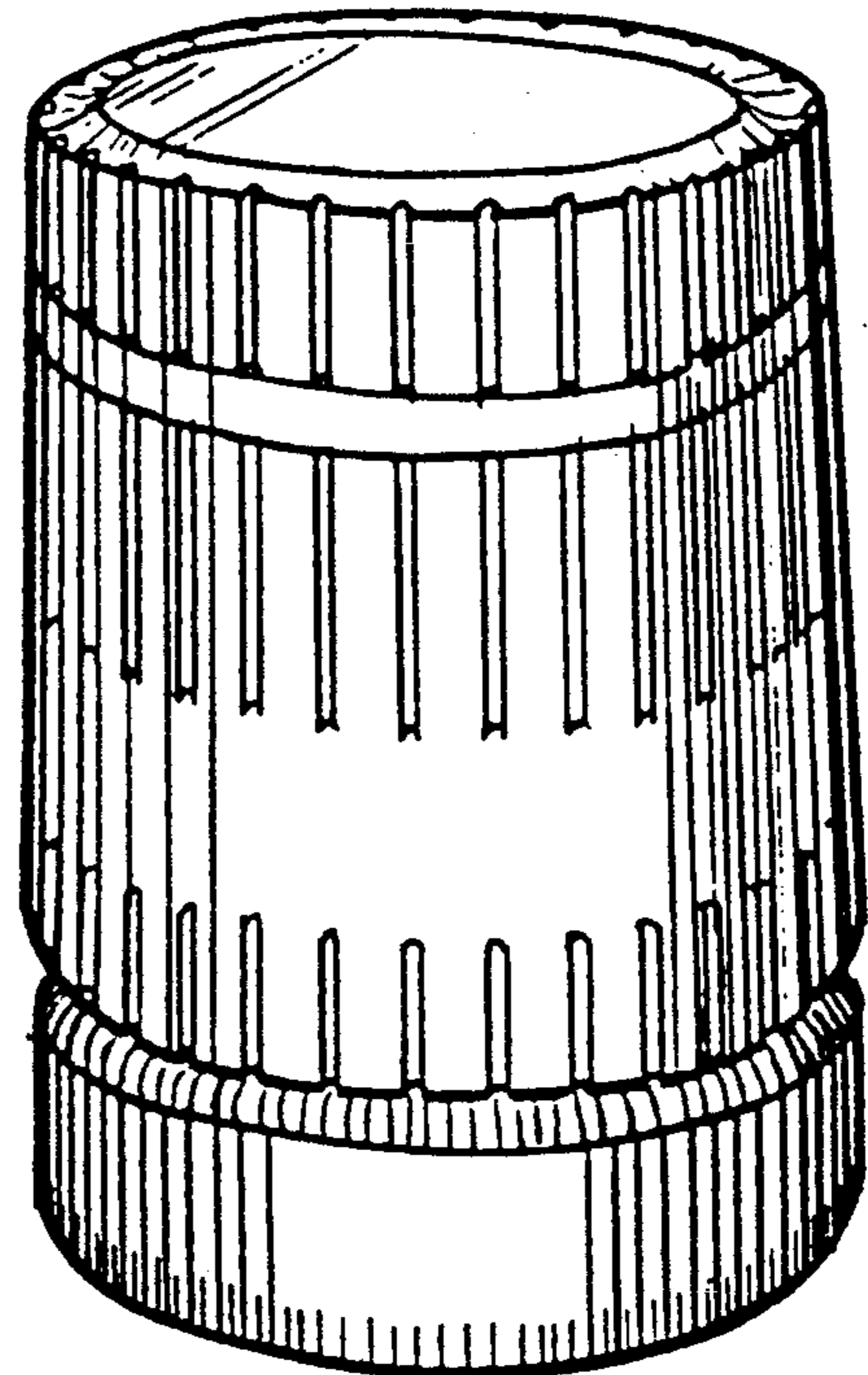
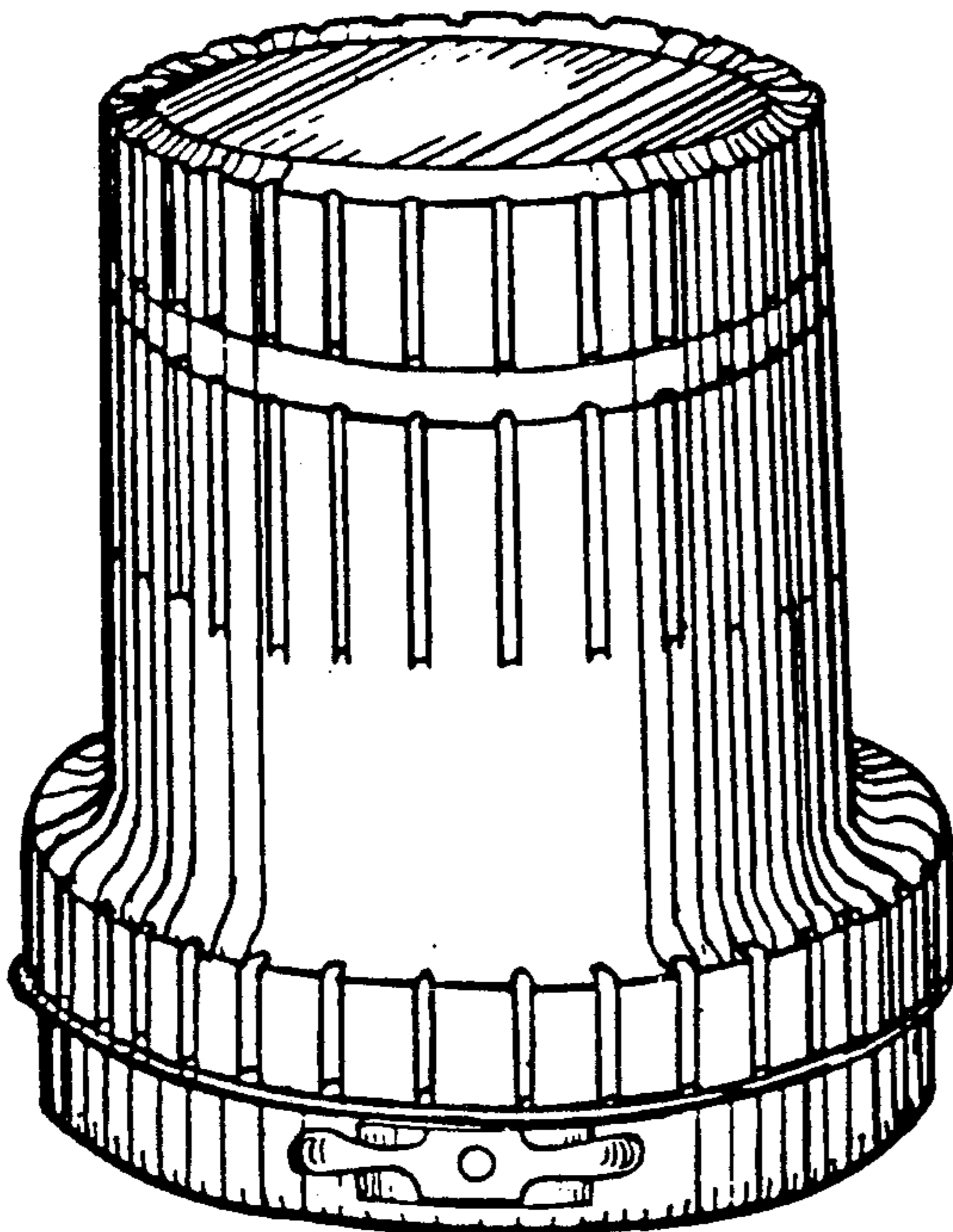
Primary Examiner—A. Hugo Word
Assistant Examiner—Celia A. Murphy
Attorney, Agent, or Firm—Renner, Otto, Boisselle & Sklar

[57] CLAIM

The ornamental design for a container for a shoe care kit, as shown and described.

DESCRIPTION

FIG. 1 is a perspective view of a container for a shoe care kit showing my new design; FIG. 2 is a reduced front elevational view thereof, the sides and rear being identical except for the closure; FIG. 3 is a top plan view of FIG. 2; FIG. 4 is a bottom plan view of FIG. 2; FIG. 5 is a perspective view of an alternate embodiment of the design shown in FIG. 1; FIG. 6 is a side elevational view of FIG. 5; all sides being identical; and, FIG. 7 is a top plan view of FIG. 5. FIG. 8 is a bottom view of the shoe care kit of FIG. 6.



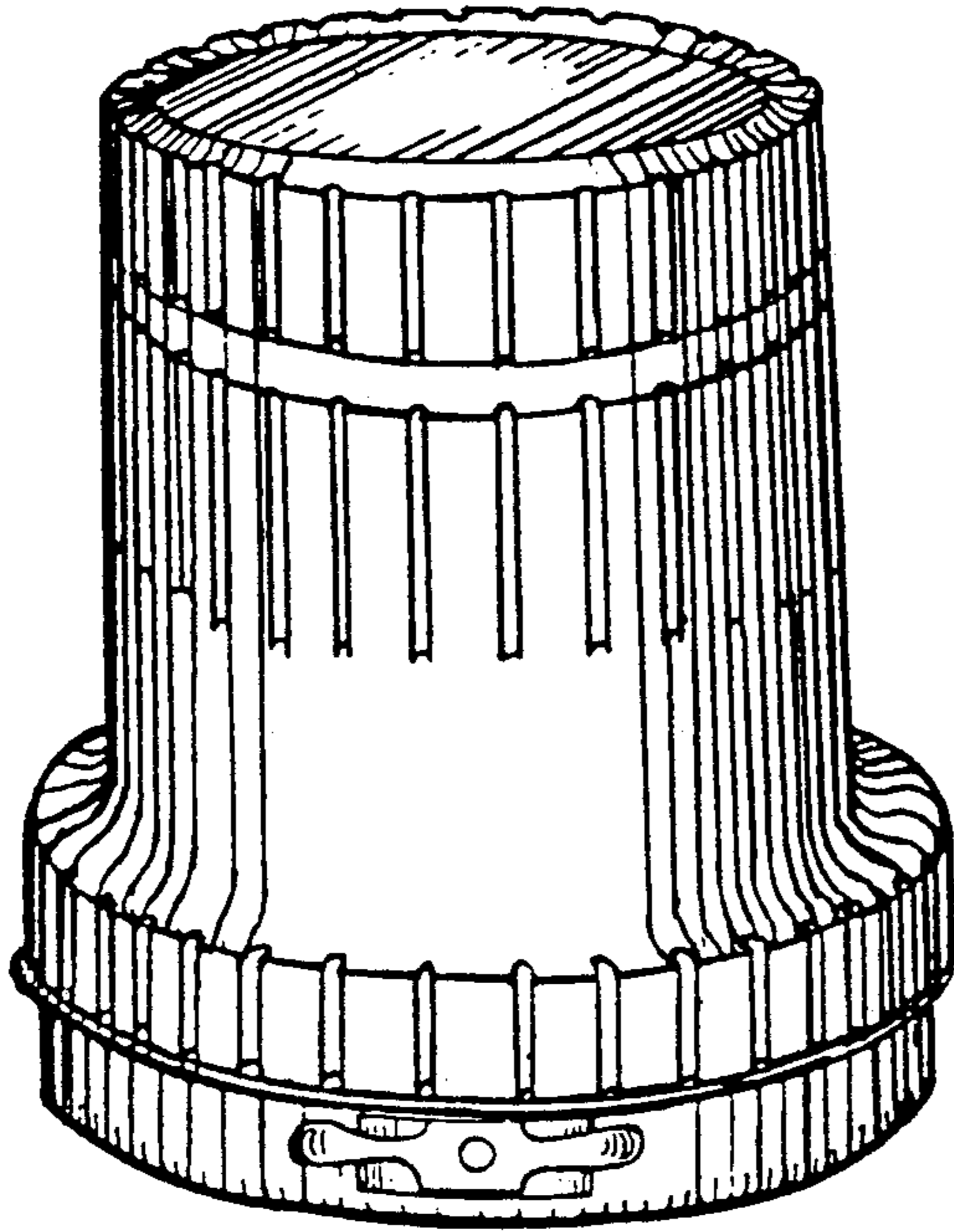


FIGURE 1

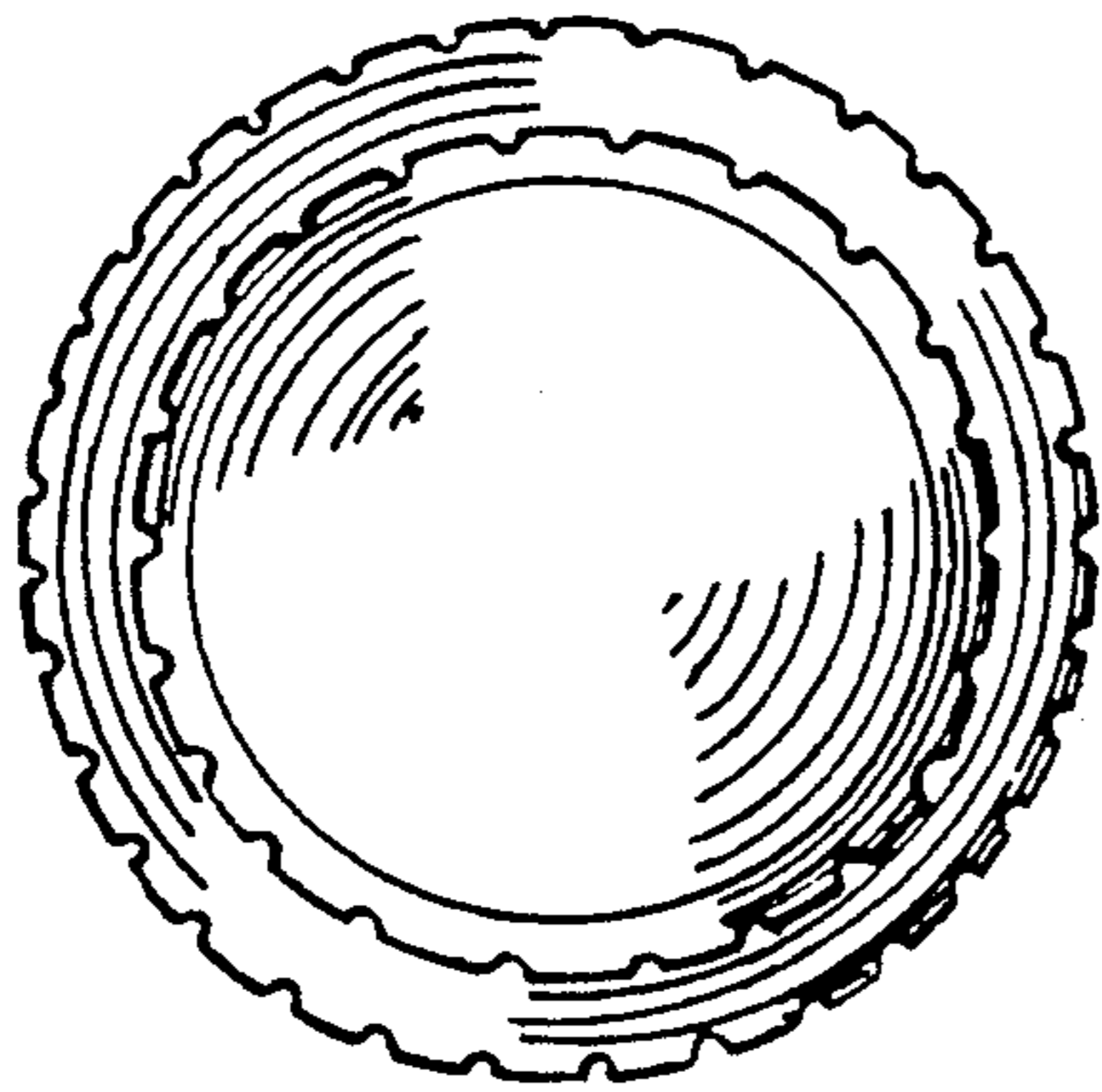


FIGURE 3

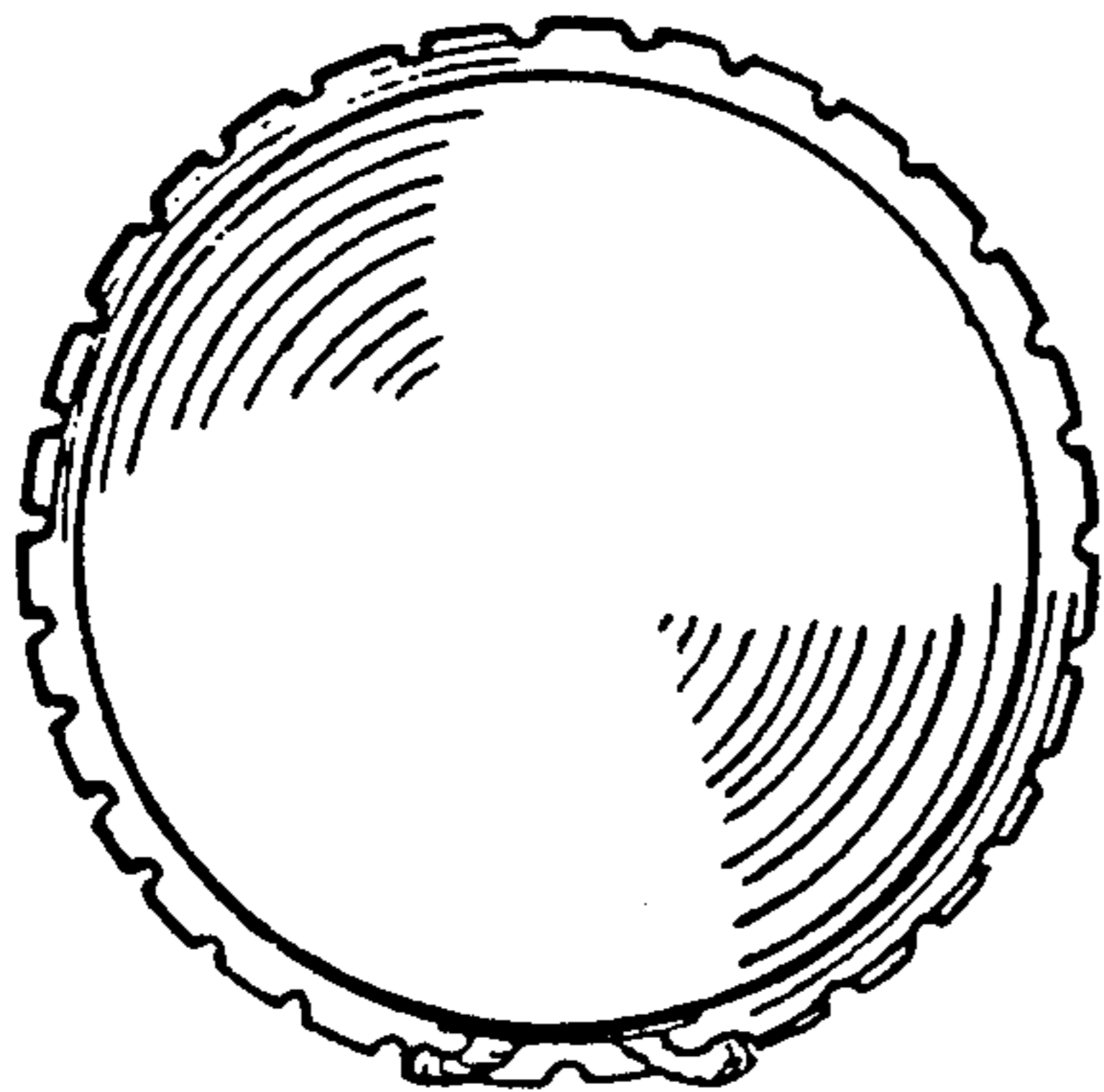


FIGURE 4

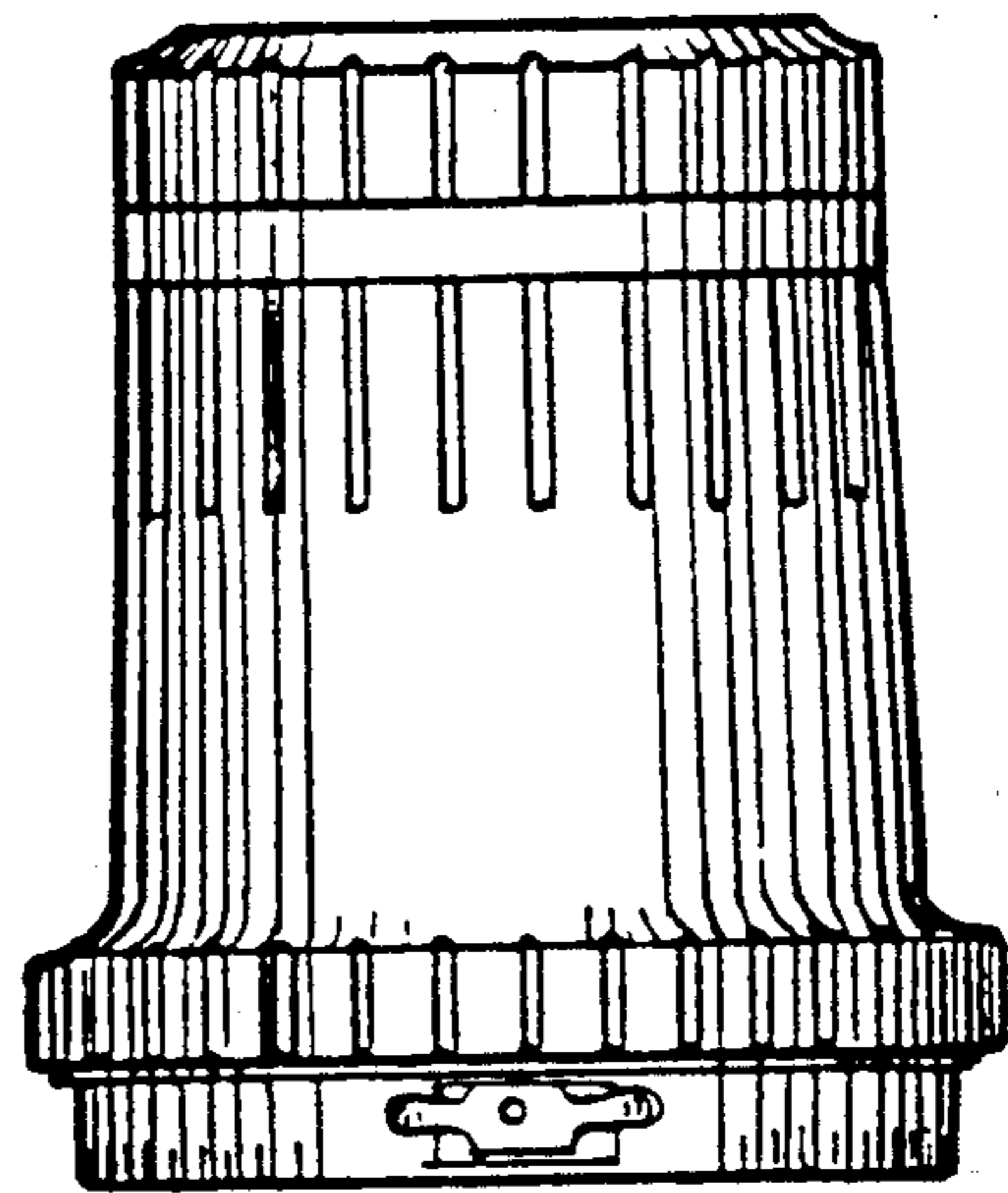


FIGURE 2

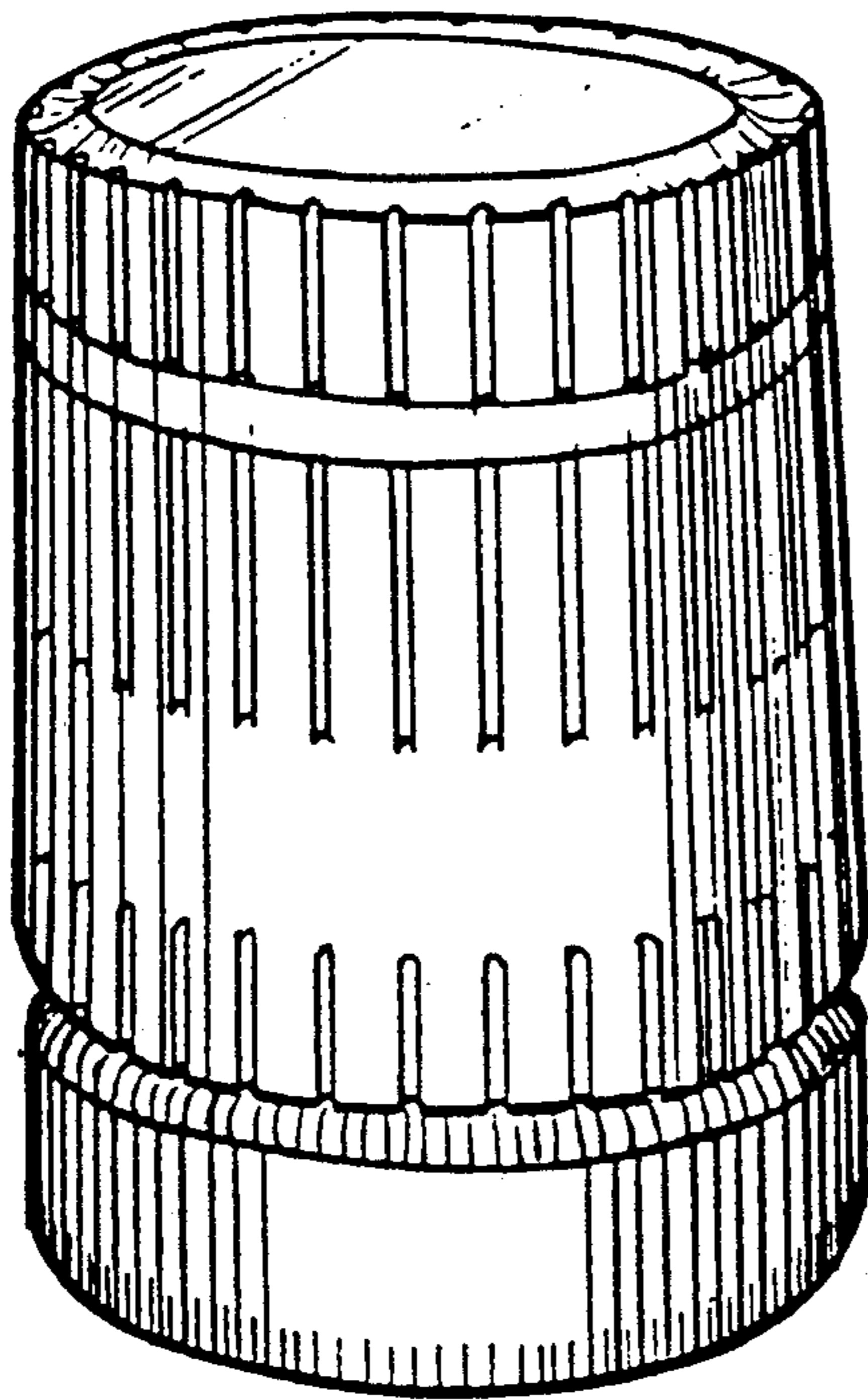


FIGURE 5

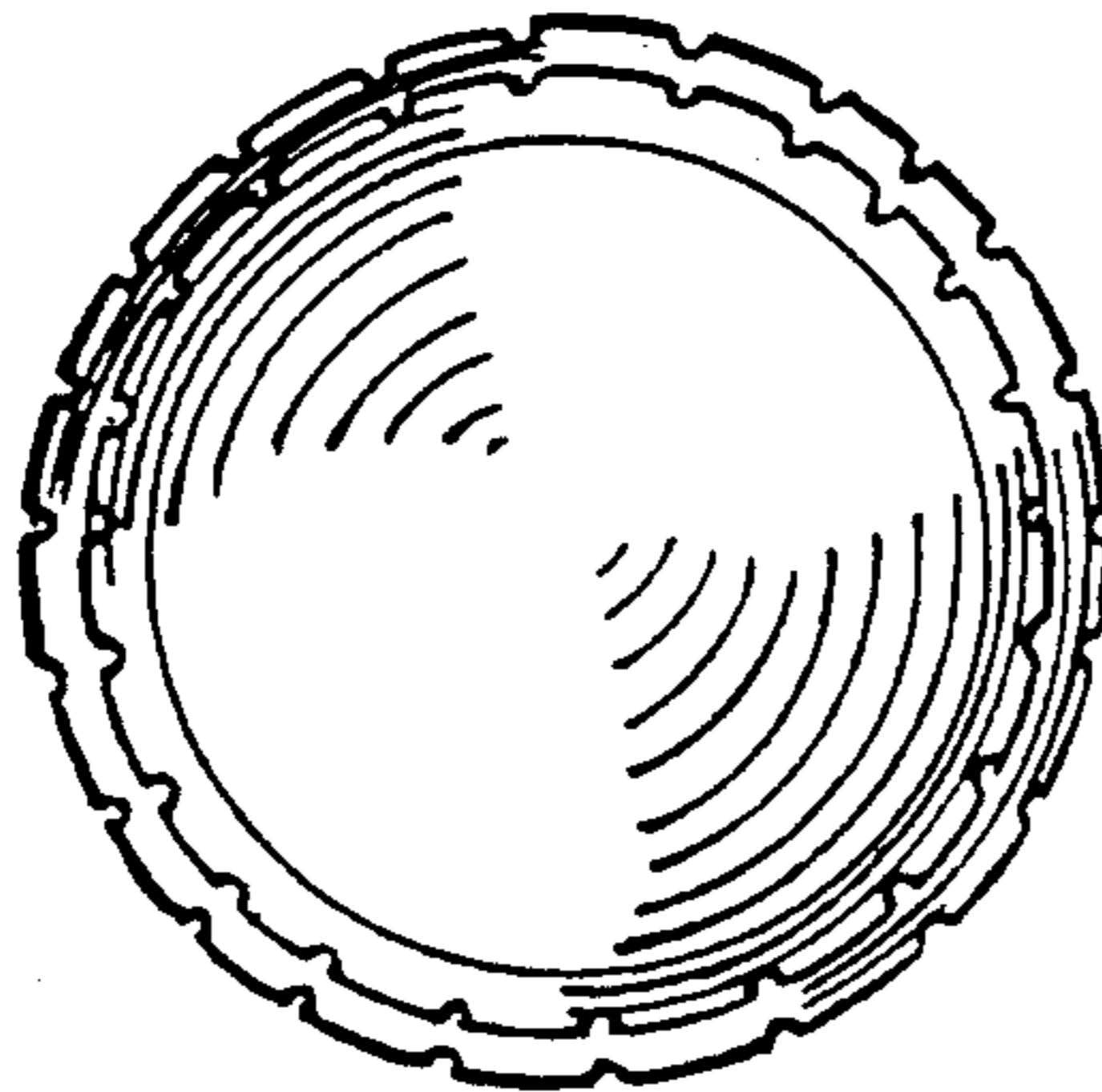


FIGURE 7

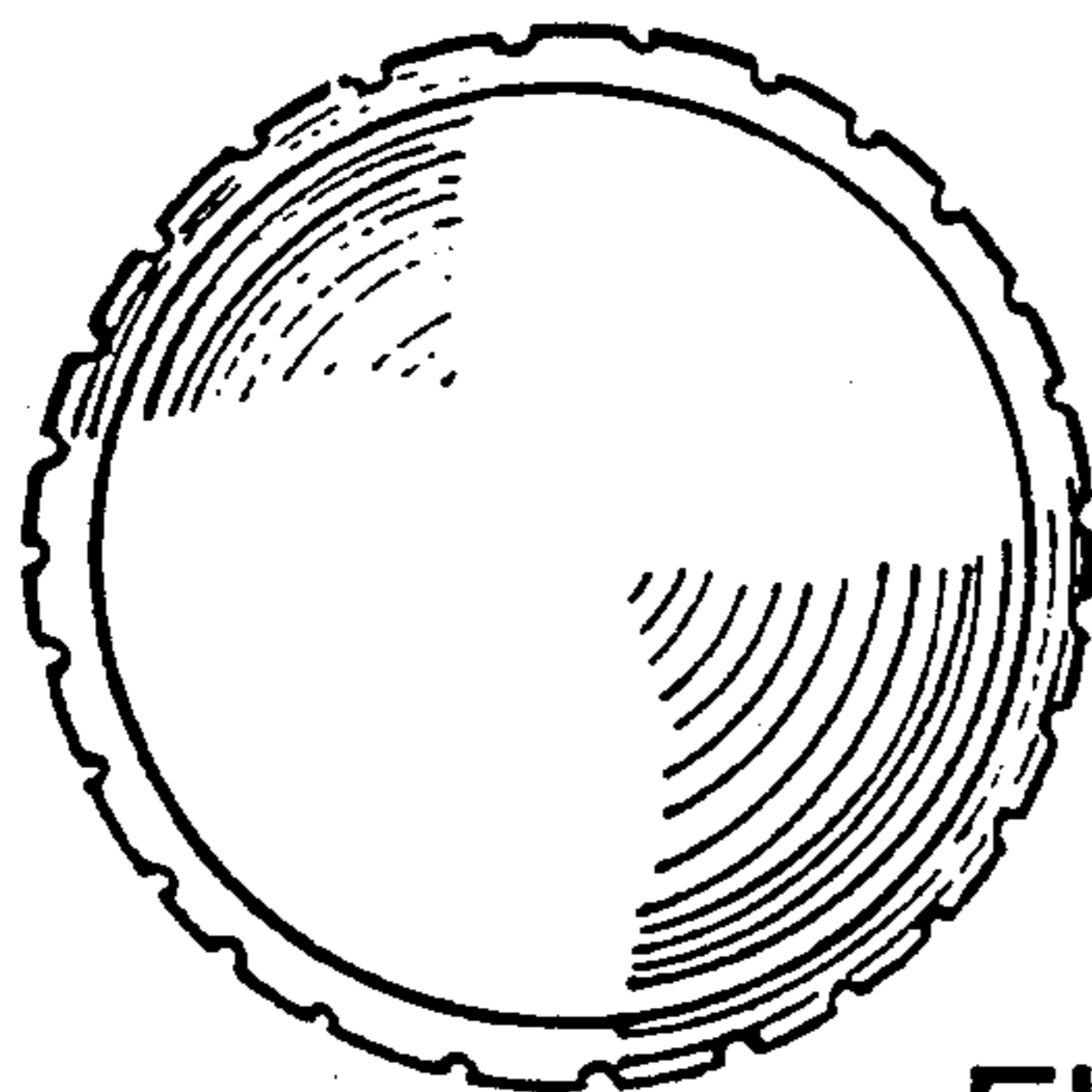


FIGURE 8

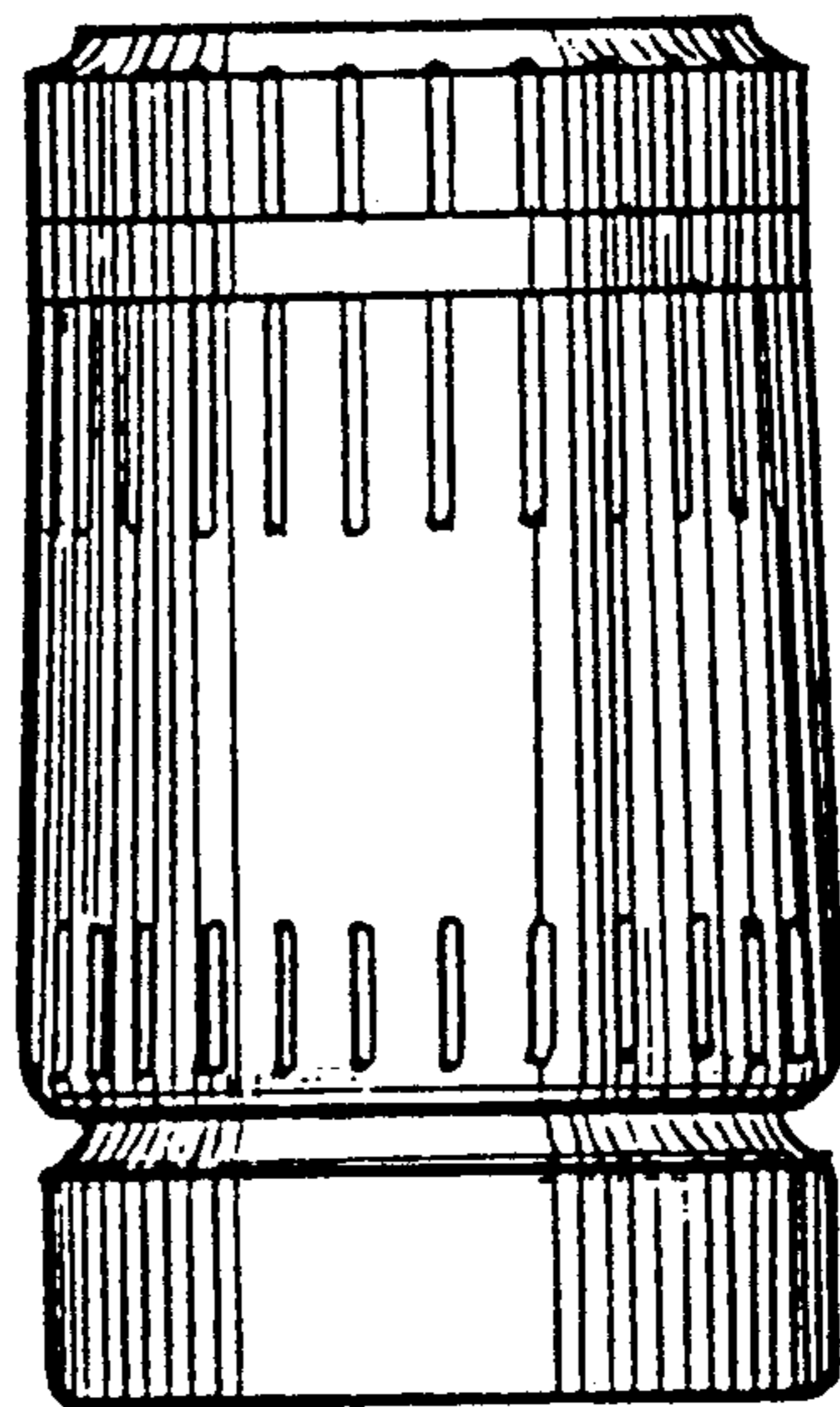


FIGURE 6