



US00D333027S

United States Patent [19]

[11] Patent Number: Des. 333,027

Nussbaum

[45] Date of Patent: ** Feb. 2, 1993

[54] **COMBINED HOISTING PLATFORM AND CONTROL CONSOLE THEREFOR**

[76] Inventor: **Hans Nussbaum**, Korkerstrasse 24, 7640 Kehl-Bodersweier, Fed. Rep. of Germany

[**] Term: **14 Years**

[21] Appl. No.: **736,893**

[22] Filed: **Jul. 26, 1991**

[30] **Foreign Application Priority Data**

Feb. 11, 1991 [DE] Fed. Rep. of Germany M 9100946.4

[52] U.S. Cl. **D34/33**

[58] Field of Search 254/90, 89 R; D34/33; 187/8.75

[56] **References Cited**

U.S. PATENT DOCUMENTS

D. 309,814	8/1990	Isogai	D34/28
4,679,660	7/1987	Suzuki	254/89 R X
4,763,761	8/1988	McKinsey et al.	254/89 R X
4,776,569	10/1988	Nesteichhausen	254/89 R
4,825,977	5/1989	Isogai	254/89 R X

FOREIGN PATENT DOCUMENTS

250885	1/1988	European Pat. Off.	254/90
2906080	8/1979	Fed. Rep. of Germany	254/90
2412499	8/1979	France	254/90

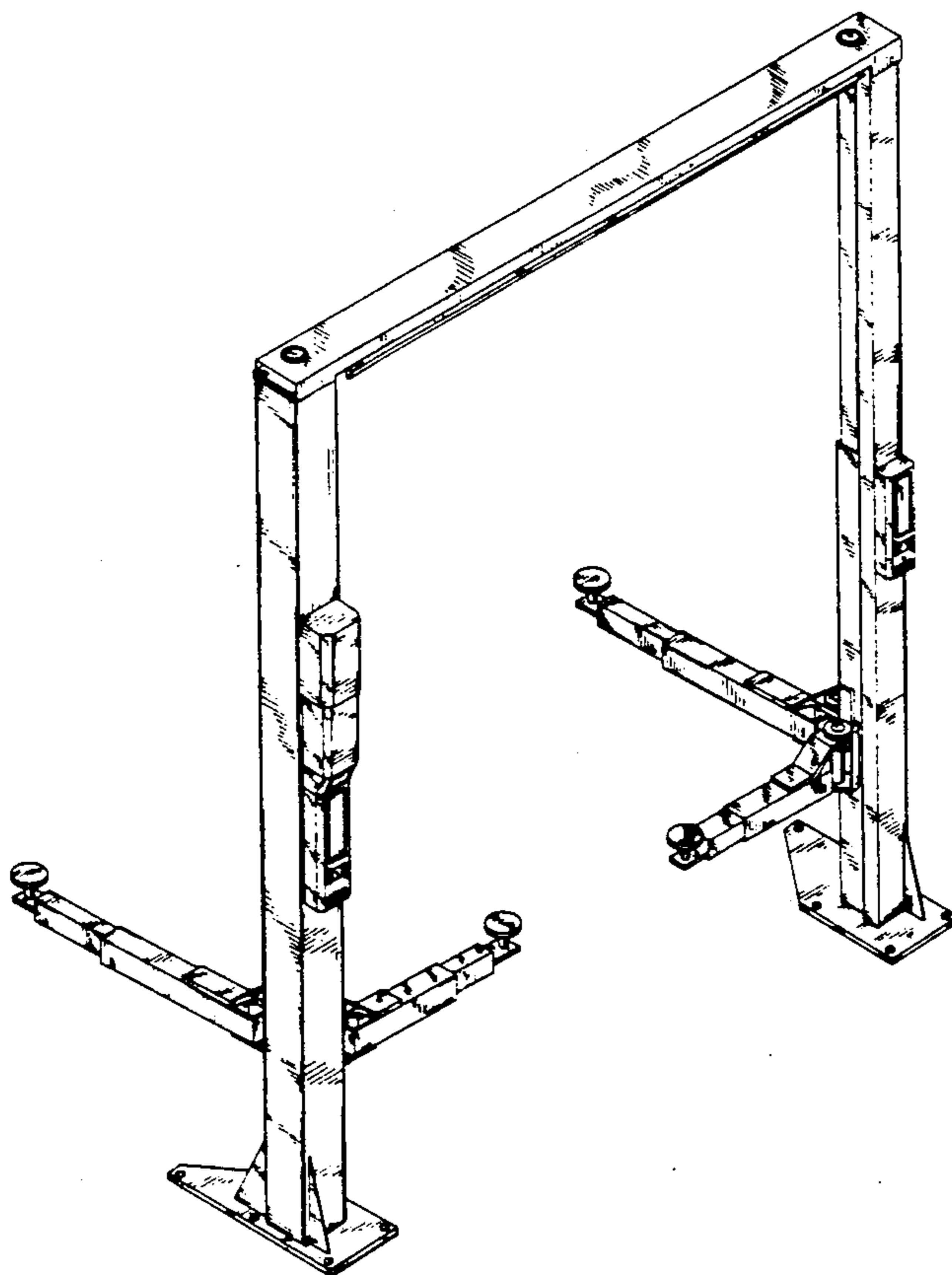
Primary Examiner—Wallace R. Burke
Assistant Examiner—H. Baynham
Attorney, Agent, or Firm—Edwin E. Greigg; Ronald E. Greigg

[57] **CLAIM**

The ornamental design for a combined hoisting platform and control console therefor, as shown and described.

DESCRIPTION

FIG. 1 is a front perspective view of a combined hoisting platform and control console therefor showing my new design;
FIG. 2 is an opposite side perspective view thereof;
FIG. 3 is a front elevational view thereof;
FIG. 4 is a rear elevational view thereof;
FIG. 5 is a left side elevational view thereof;
FIG. 6 is a right side elevational view thereof;
FIG. 7 is a top plan view thereof;
FIG. 8 is a bottom plan view thereof;
FIG. 9 is an enlarged perspective view of the control console shown on the left side of FIG. 1; and,
FIG. 10 is an enlarged perspective view of the control console shown on the right of FIG. 1.



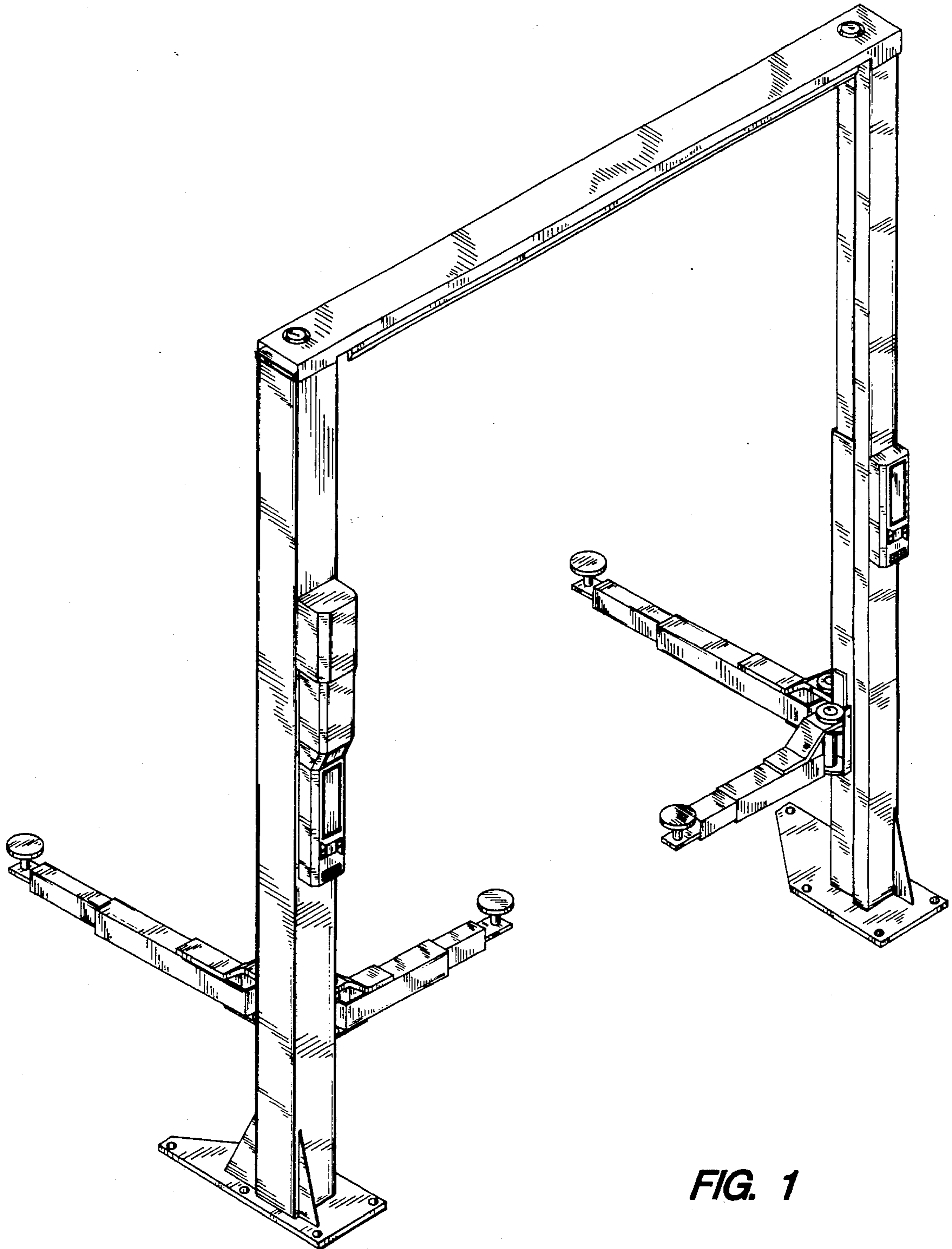
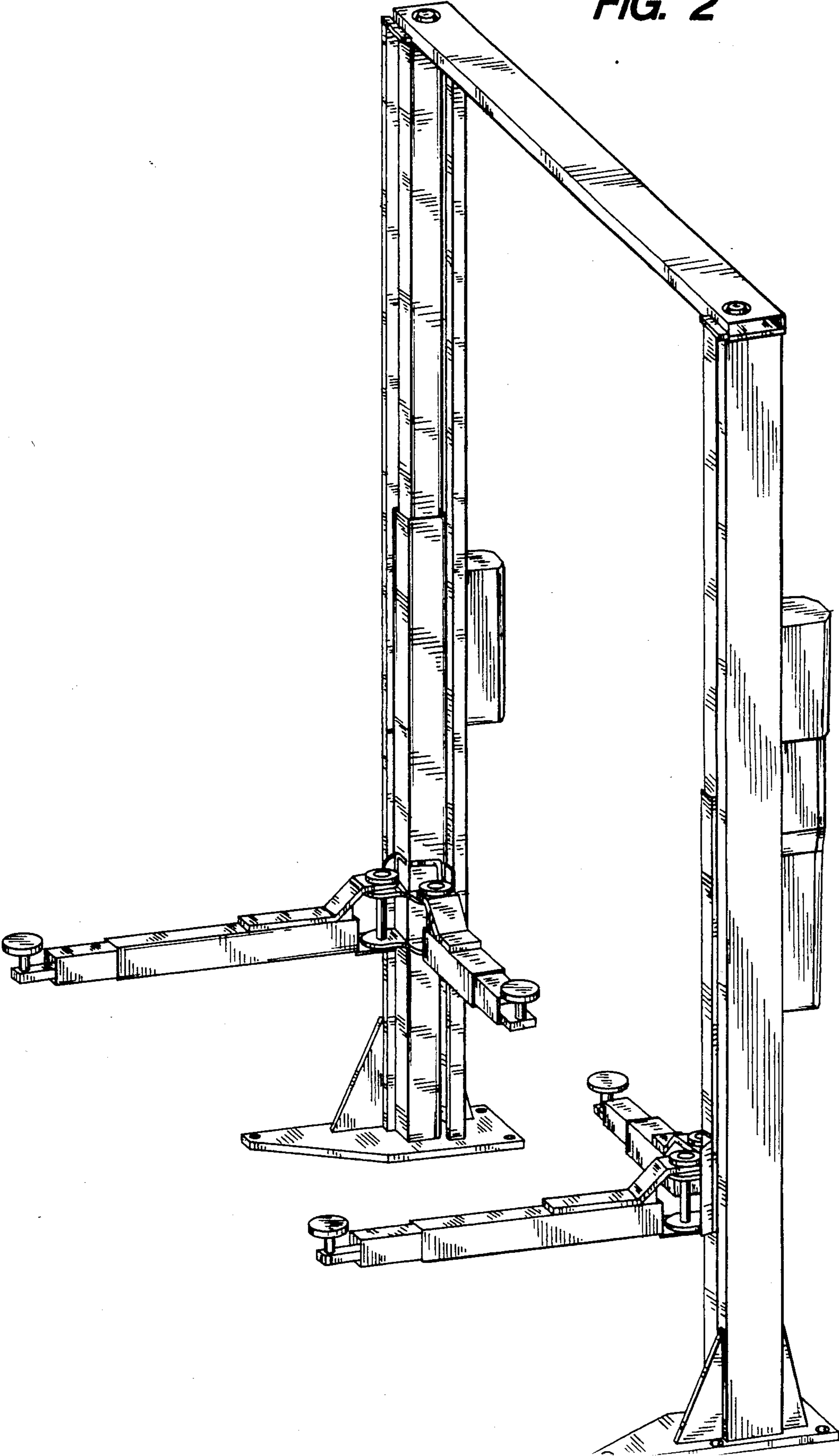


FIG. 1

FIG. 2



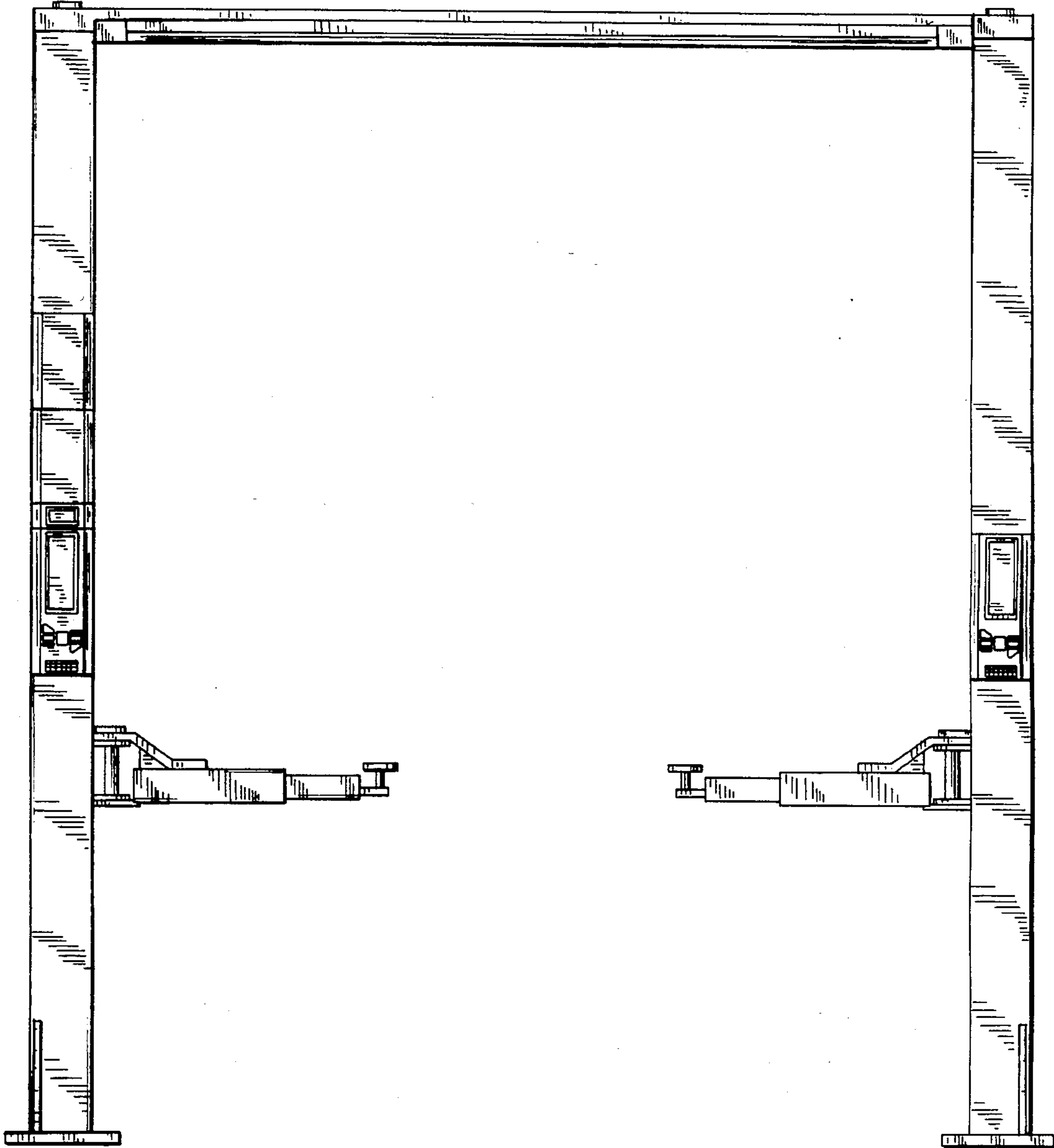


FIG. 3

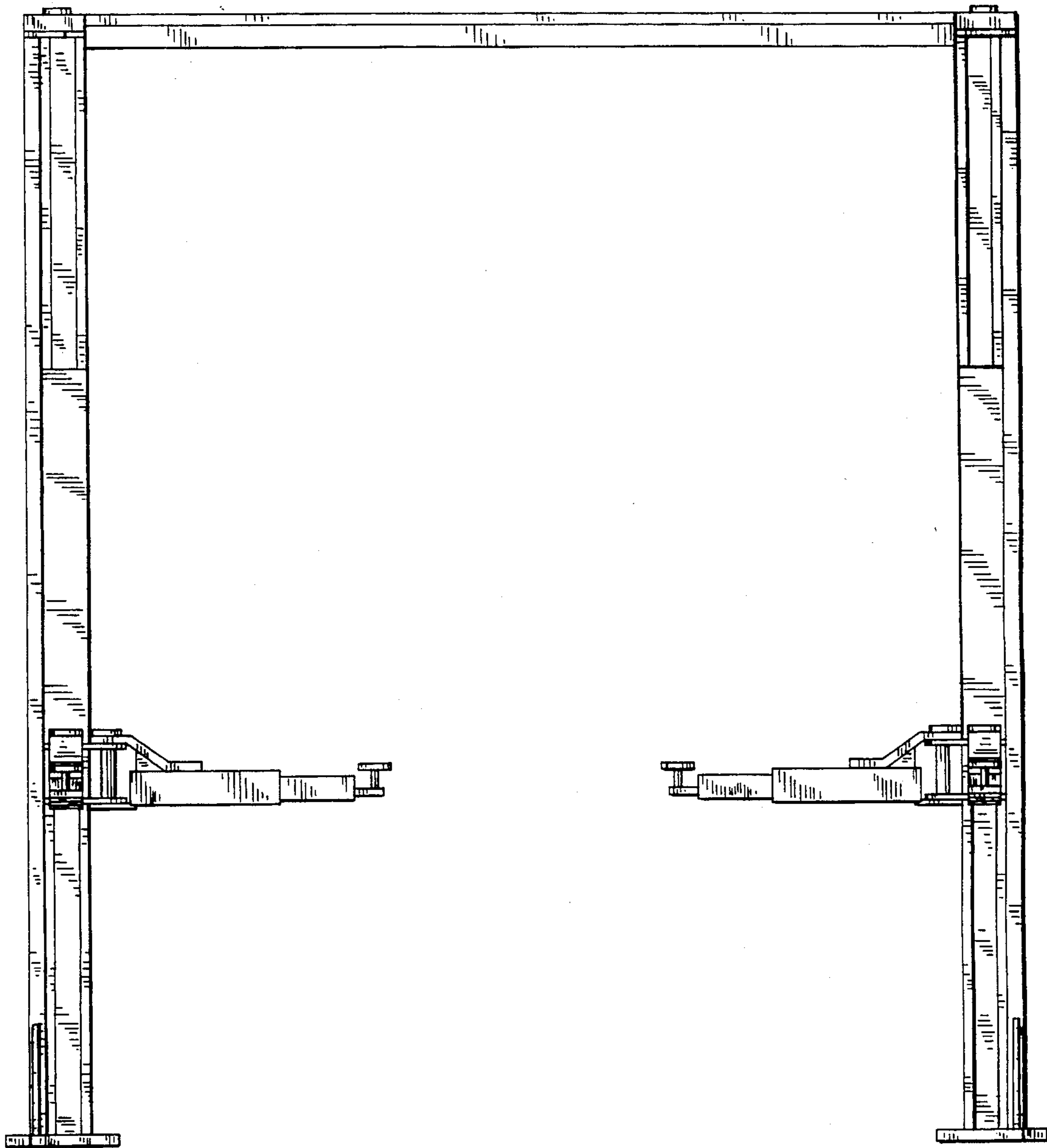


FIG. 4

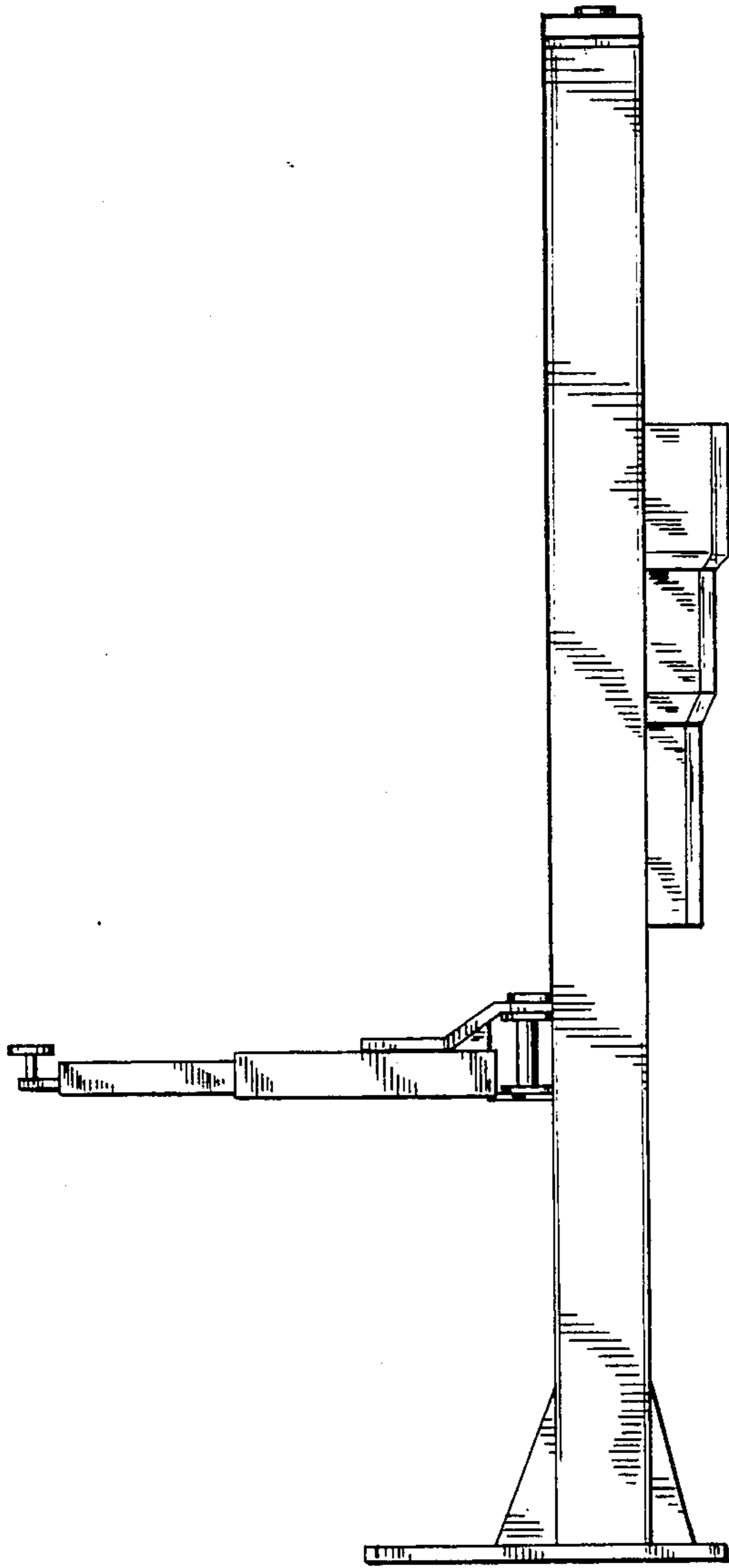


FIG. 6

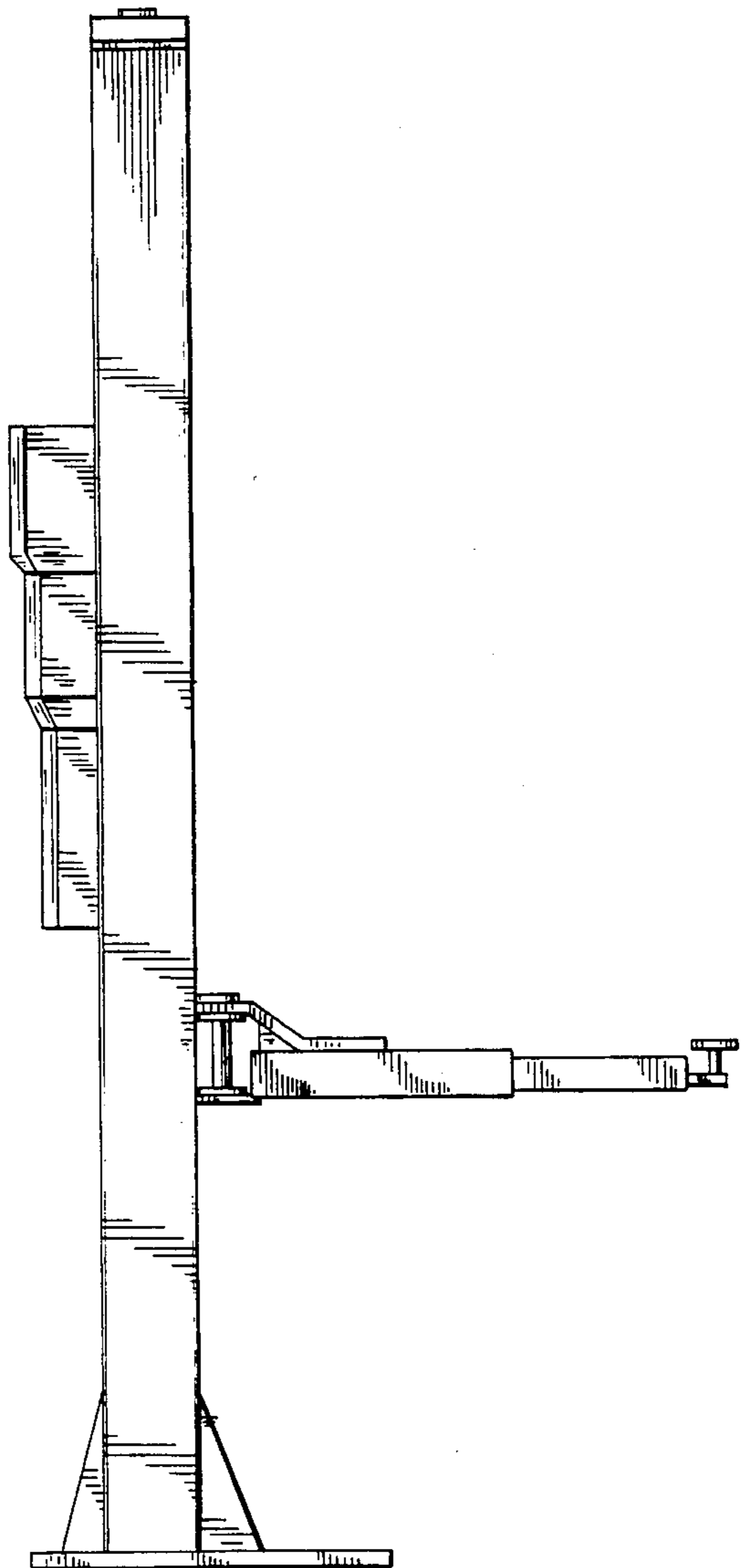


FIG. 5

FIG. 7

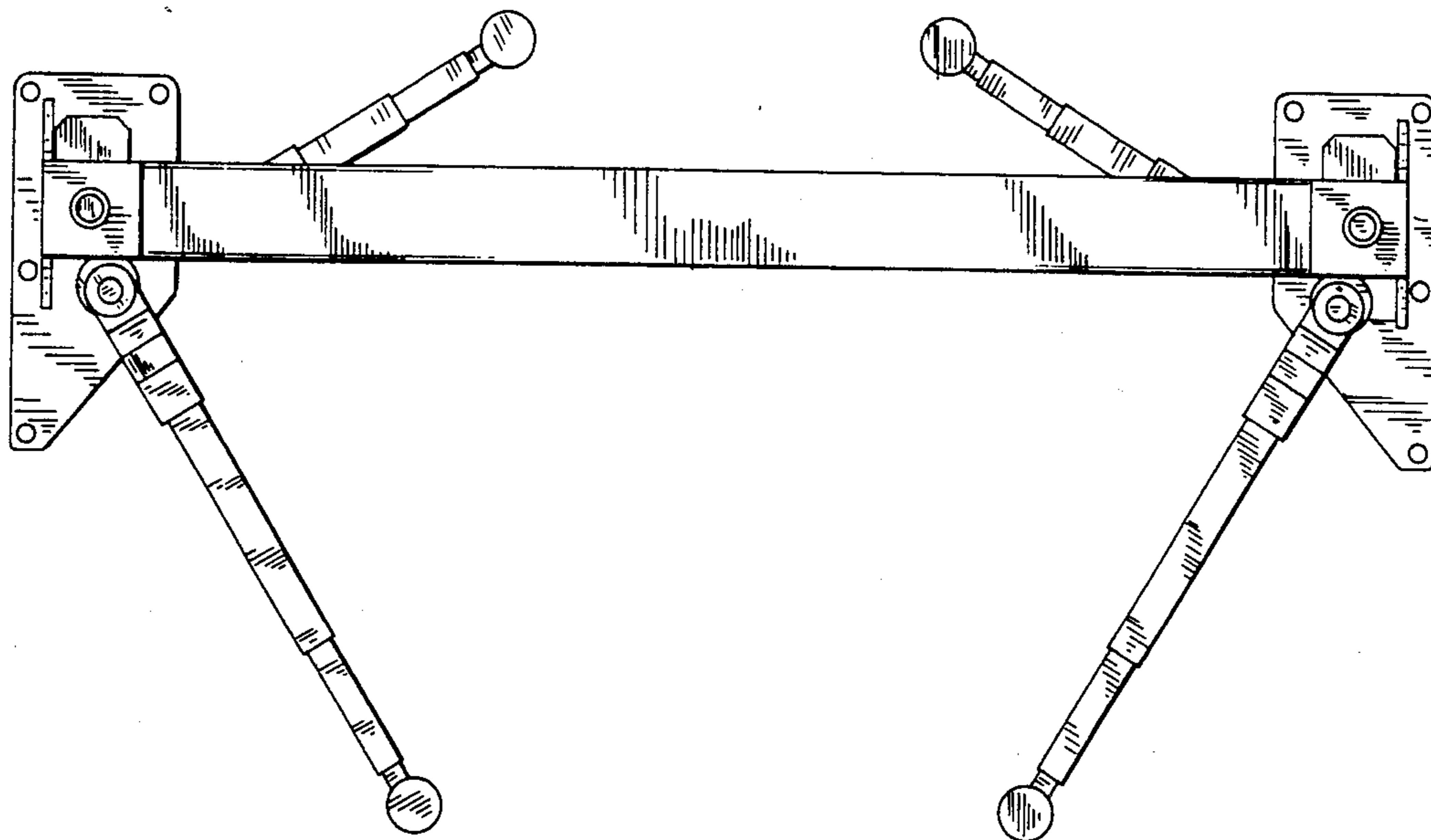
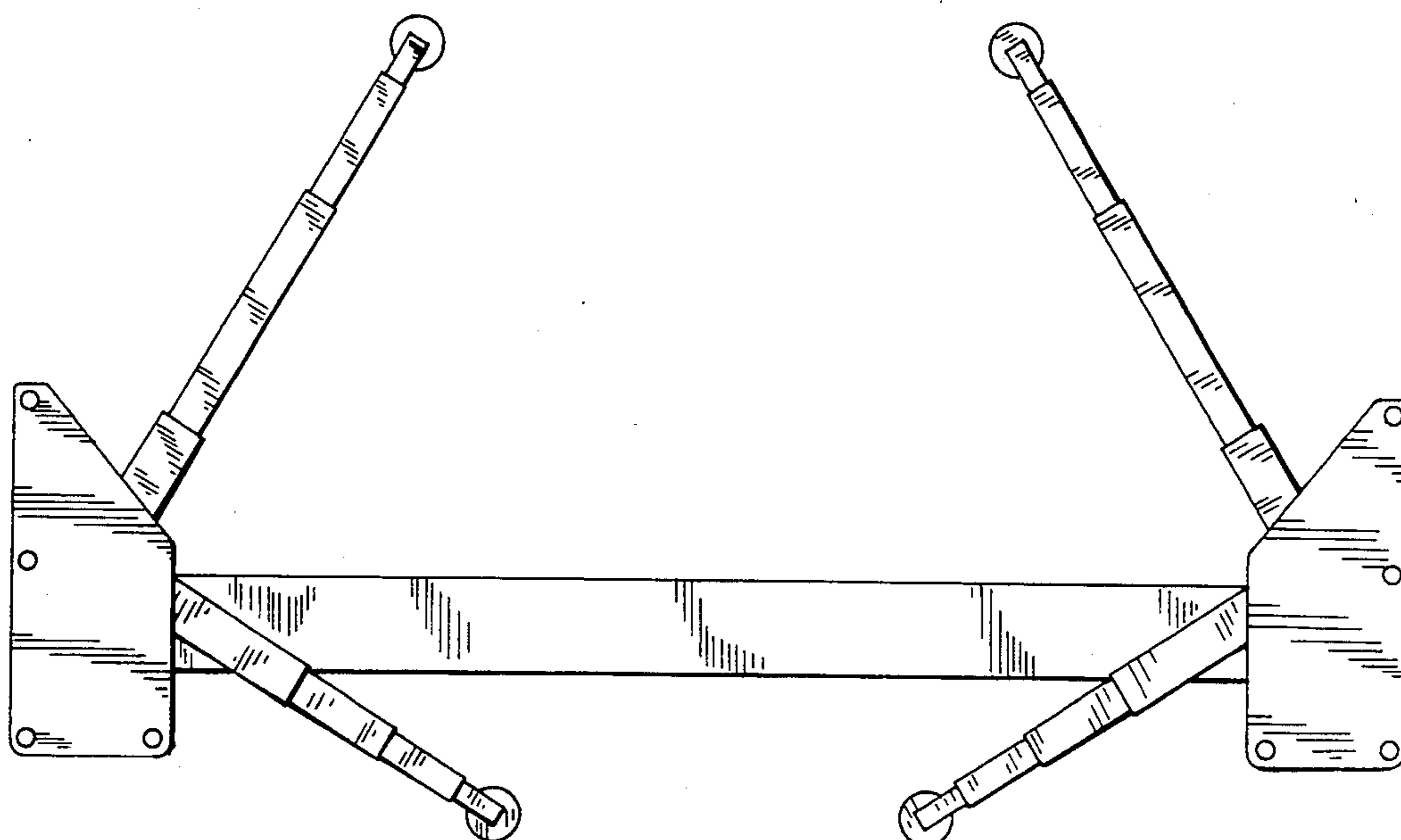


FIG. 8



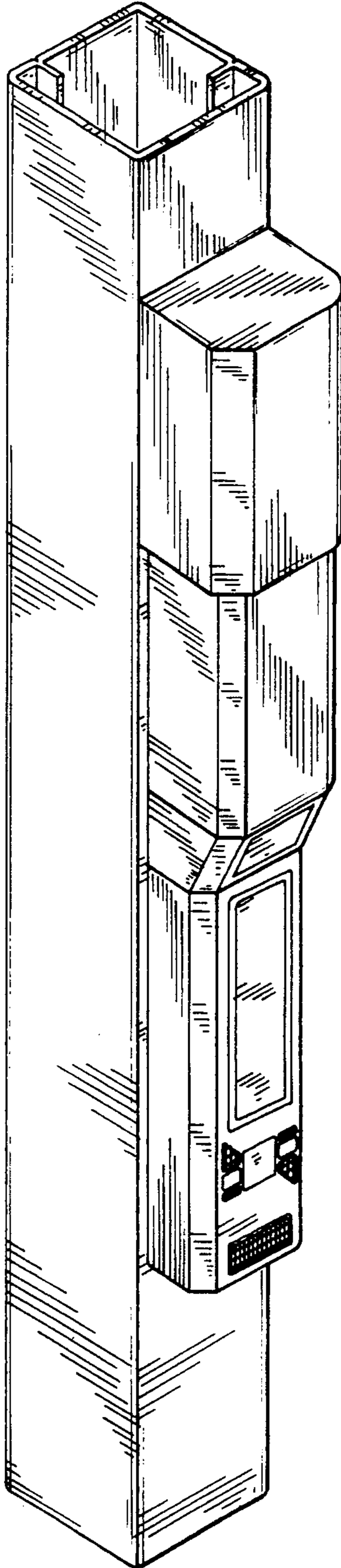


FIG. 9

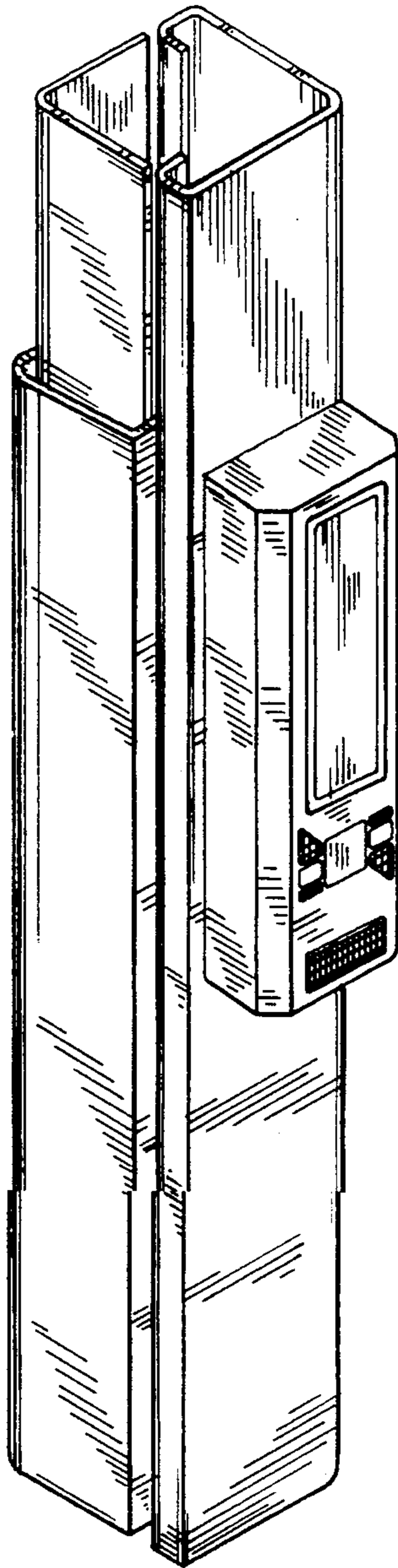


FIG. 10