



US00D333023S

United States Patent [19]

[11] Patent Number: **Des. 333,023**

Herron, Jr.

[45] Date of Patent: **** Feb. 2, 1993**

[54] **VACUUM CLEANER HOSE HANDLE**

D. 315,043	2/1991	Hayden	D32/34
4,052,767	10/1977	Dutcher	.	
4,517,705	5/1985	Hug	.	
4,720,890	1/1988	Jacob	.	

[75] Inventor: **Roy H. Herron, Jr., Starr, S.C.**

[73] Assignee: **Ryobi Motor Products Corp., Easley, S.C.**

*Primary Examiner—A. Hugo Word
Assistant Examiner—Ruth McInroy
Attorney, Agent, or Firm—Brooks & Kushman*

[**] Term: **14 Years**

[21] Appl. No.: **595,012**

[57] **CLAIM**

[22] Filed: **Oct. 10, 1990**

The ornamental design for a vacuum cleaner hose handle, as shown.

[52] U.S. Cl. **D32/34**

[58] Field of Search **D32/22, 34; 15/143 R, 15/143 A, 144 R, 144 B, 145**

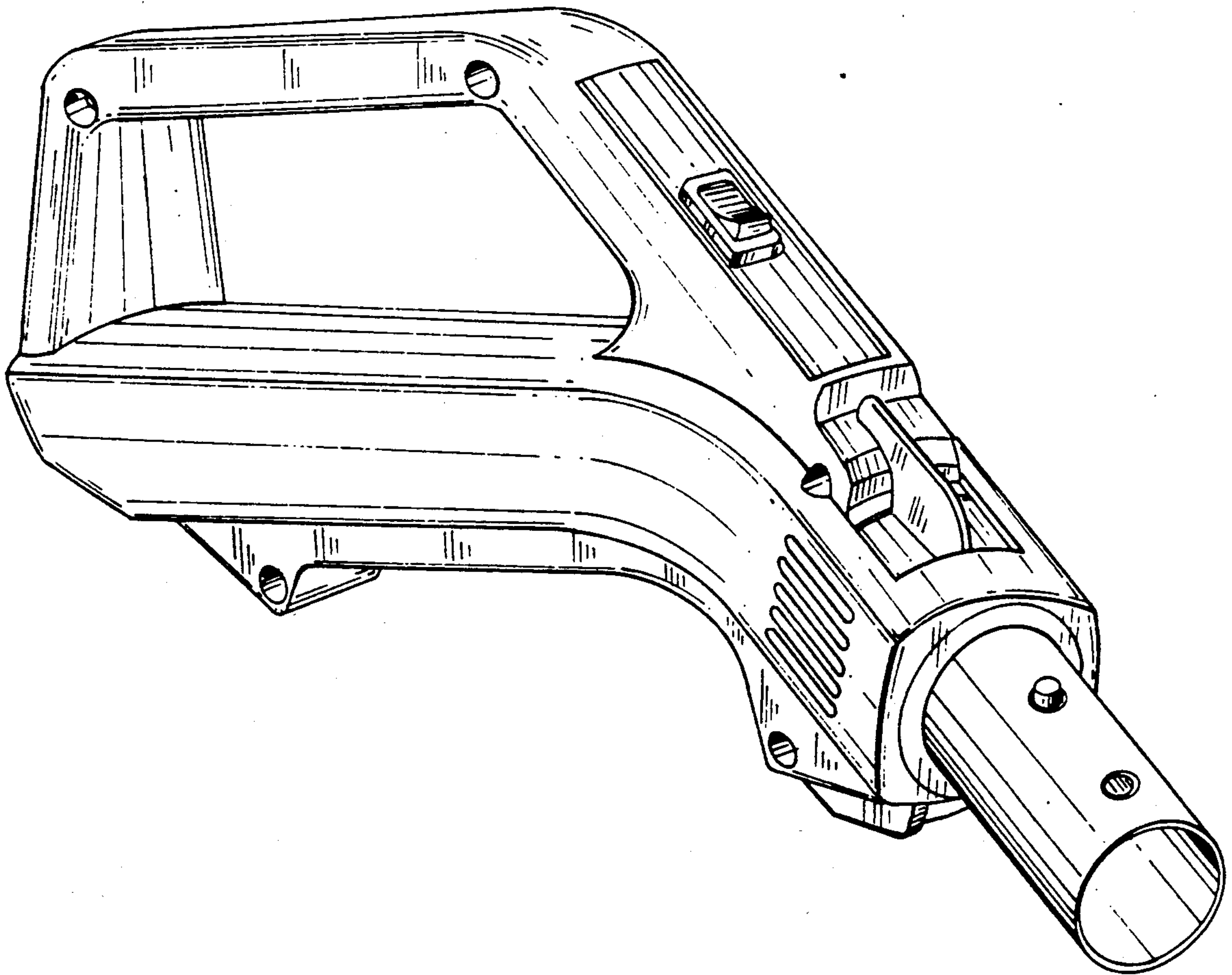
DESCRIPTION

[56] **References Cited**

U.S. PATENT DOCUMENTS

D. 237,036	10/1975	Neceda	D32/31
D. 237,244	10/1975	Williams	D32/22
D. 277,325	1/1985	Hug	D32/22
D. 303,173	8/1989	Miyamoto et al.	D32/22
D. 305,168	12/1989	Krou	D32/22

FIG. 1 is a top, front and right side perspective view of a vacuum cleaner hose handle showing my new design; FIG. 2 is a front elevational view thereof; FIG. 3 is a rear elevational view thereof; FIG. 4 is a left side elevational view thereof; FIG. 5 is a right side elevational view thereof; FIG. 6 is a top plan view thereof; and, FIG. 7 is a bottom plan view thereof.



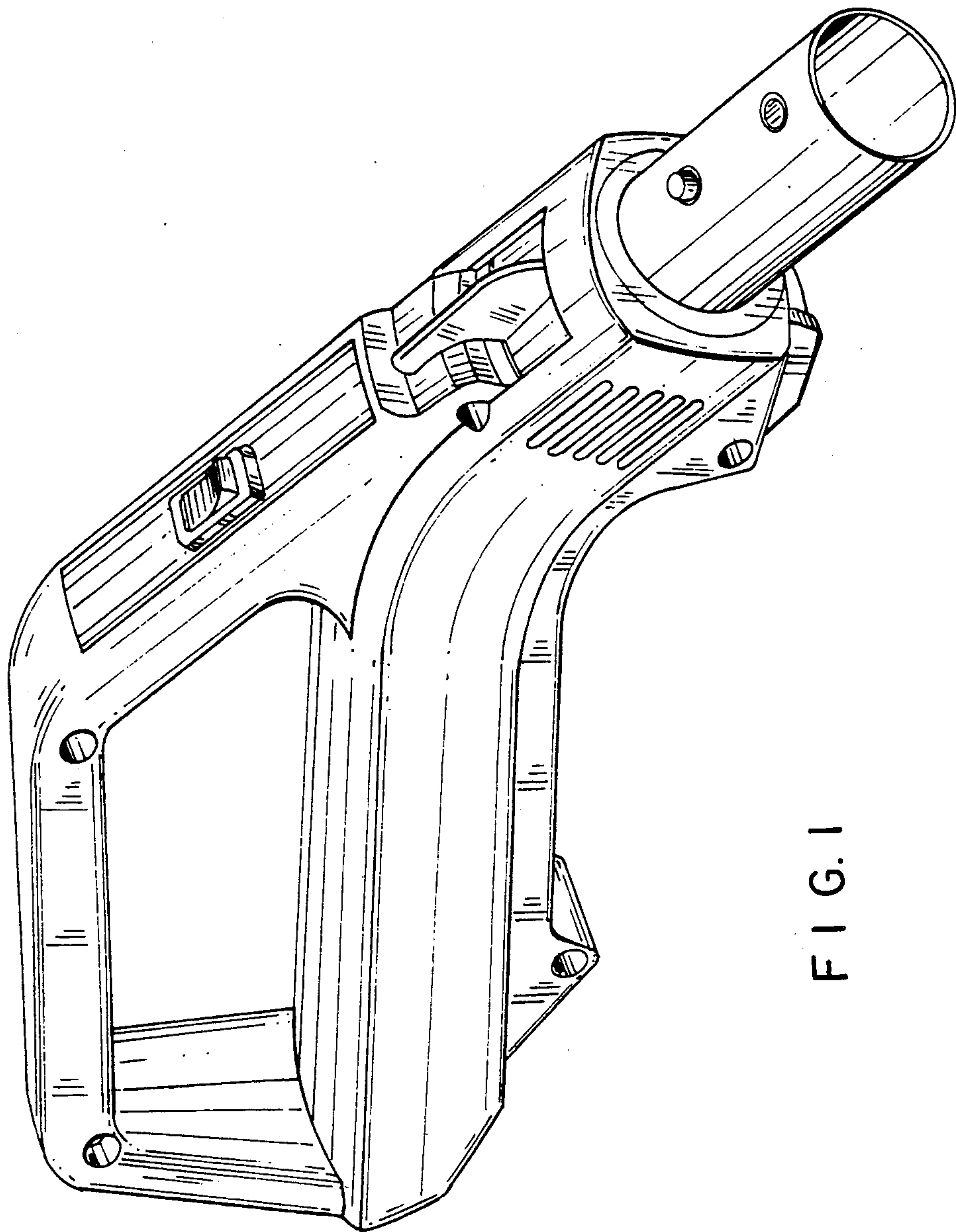


FIG. 1

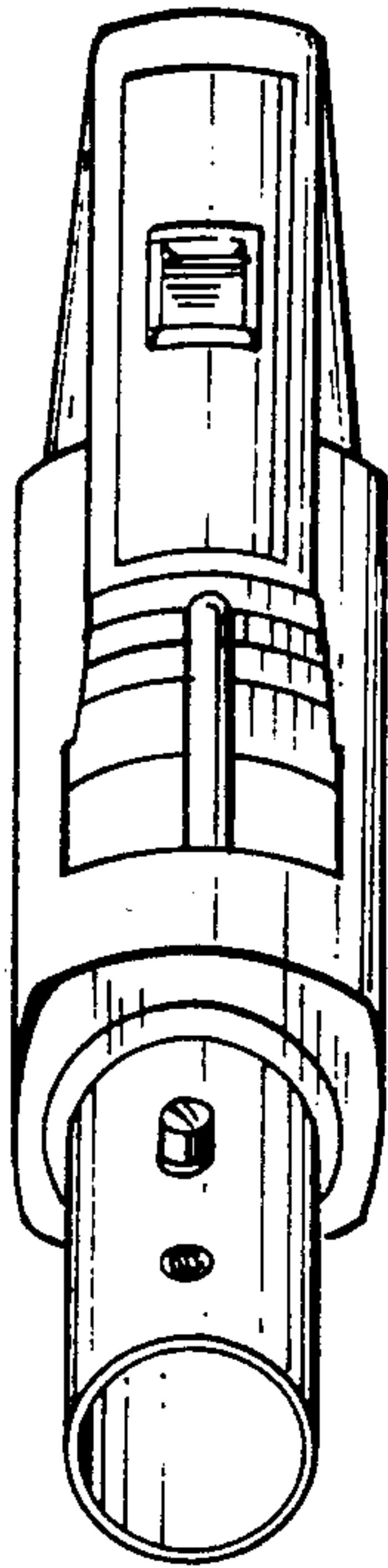


FIG. 2

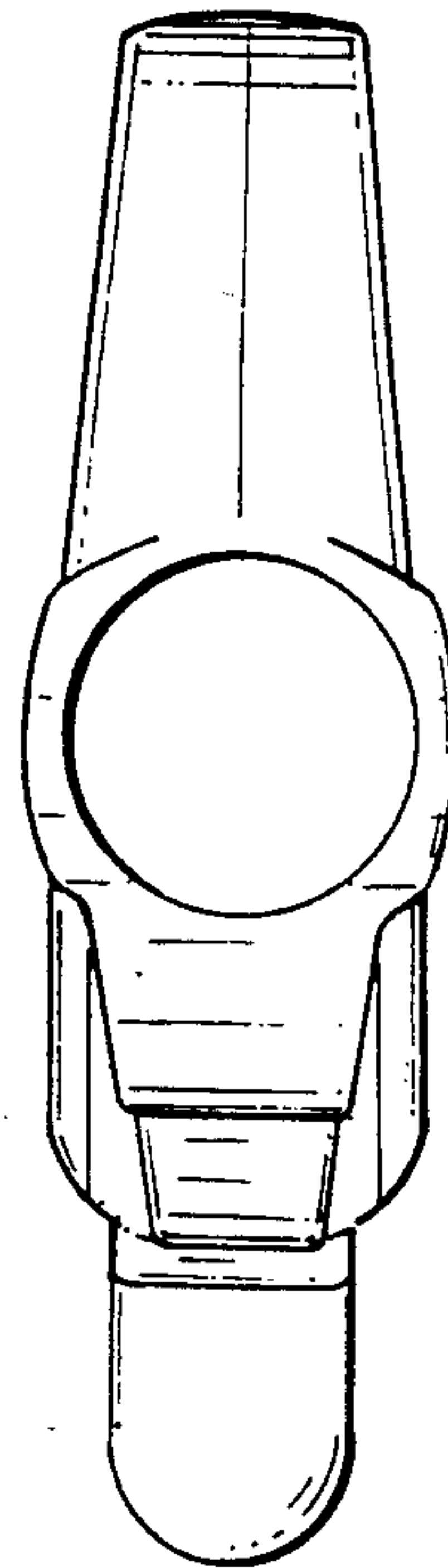


FIG. 3

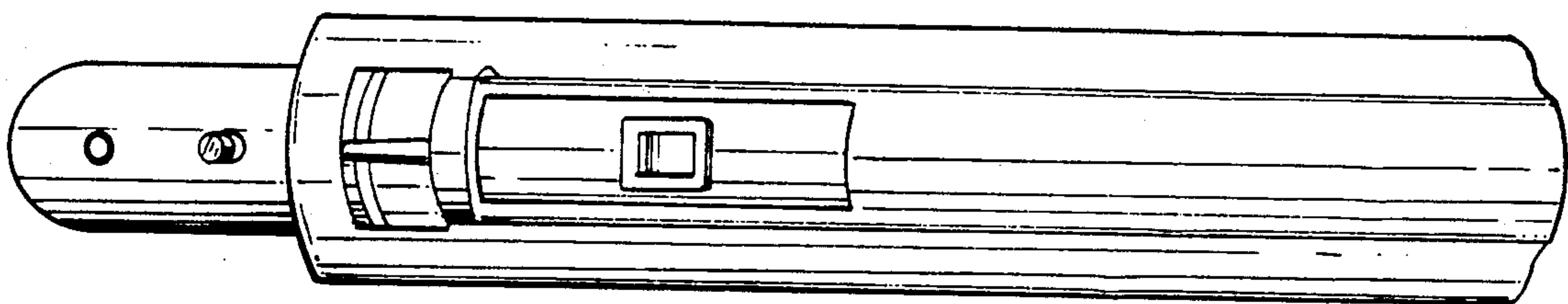


FIG. 6

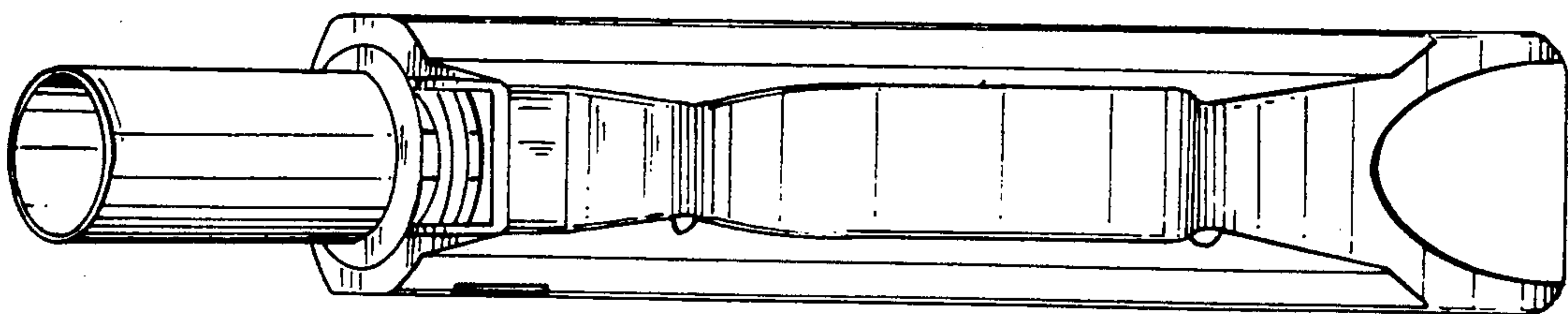


FIG. 7

