



US00D333022S

United States Patent [19]

[11] Patent Number: **Des. 333,022**

Kramer et al.

[45] Date of Patent: **** Feb. 2, 1993**

[54] **SUCTION CLEANER NOZZLE**

[75] Inventors: **Wilfried Kramer, Reichshof-Odenspiel; Klaus-Dieter Riehl, Drolshagen-Brachtpe; Otto Illesy, Reichshof-Erdingen, all of Fed. Rep. of Germany**

[73] Assignee: **Wessel-Werk GmbH & Co. Kommanditgesellschaft, Reichshof, Fed. Rep. of Germany**

[**] Term: **14 Years**

[21] Appl. No.: **402,143**

[22] Filed: **Sep. 1, 1989**

[52] U.S. Cl. **D32/32**

[58] Field of Search **D32/31-33, D32/25, 22; 15/321-322, 378-402, 415.1, 416-422.1**

[56] **References Cited**

U.S. PATENT DOCUMENTS

D. 161,681 1/1951 Dreyfuss **D32/33**

D. 178,747 9/1956 Sason **D32/32**
D. 280,033 8/1985 Miyamoto et al. **D32/22**
D. 290,894 7/1987 Miyamoto et al. **D32/22**
D. 295,092 4/1988 Mizuno et al. **D32/32**
3,069,186 12/1962 Stevens **15/400**

Primary Examiner—James R. Largen
Assistant Examiner—Ruth McInroy
Attorney, Agent, or Firm—Marmorek, Guttman & Rubenstein

[57] **CLAIM**

The ornamental design for a suction cleaner nozzle, as shown and described.

DESCRIPTION

FIG. 1 is a front perspective view of a suction cleaner nozzle showing my new design;
FIG. 2 is an exploded perspective view thereof;
FIG. 3 is a top plan view thereof, with the foot pedal in an alternate position;
FIG. 4 is a front elevational view thereof;
FIG. 5 is a side elevational view thereof; and,
FIG. 6 is a rear elevational view thereof.

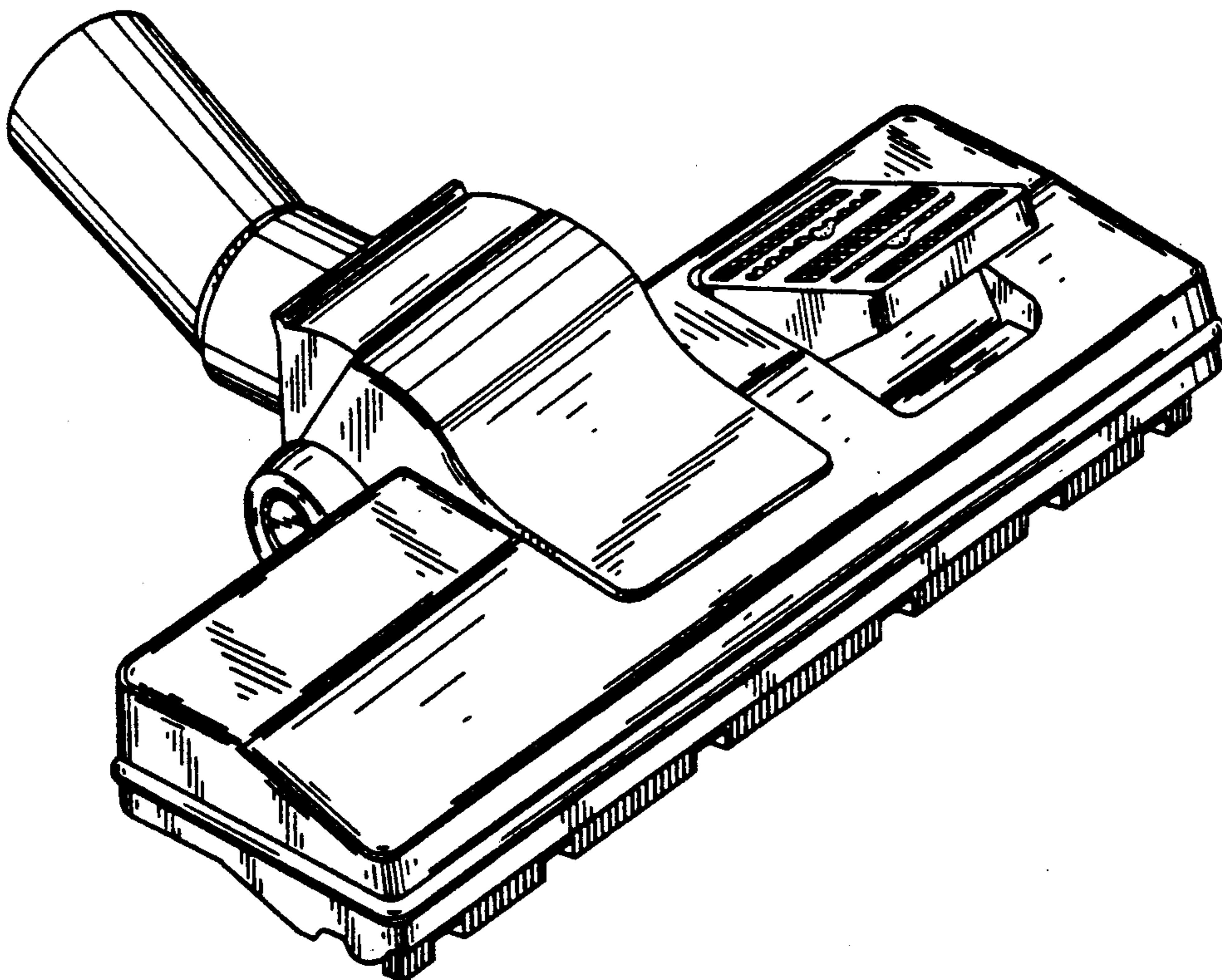
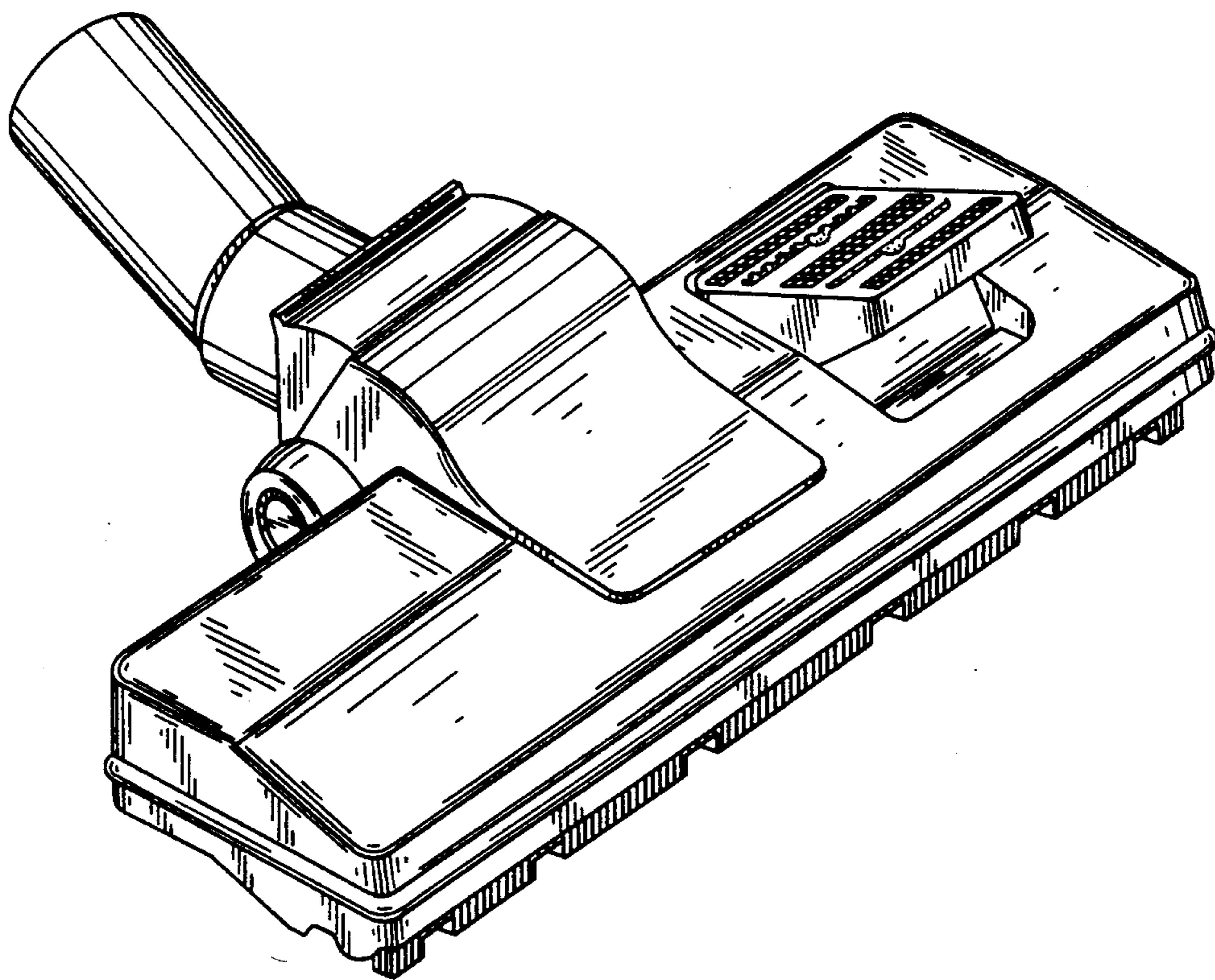
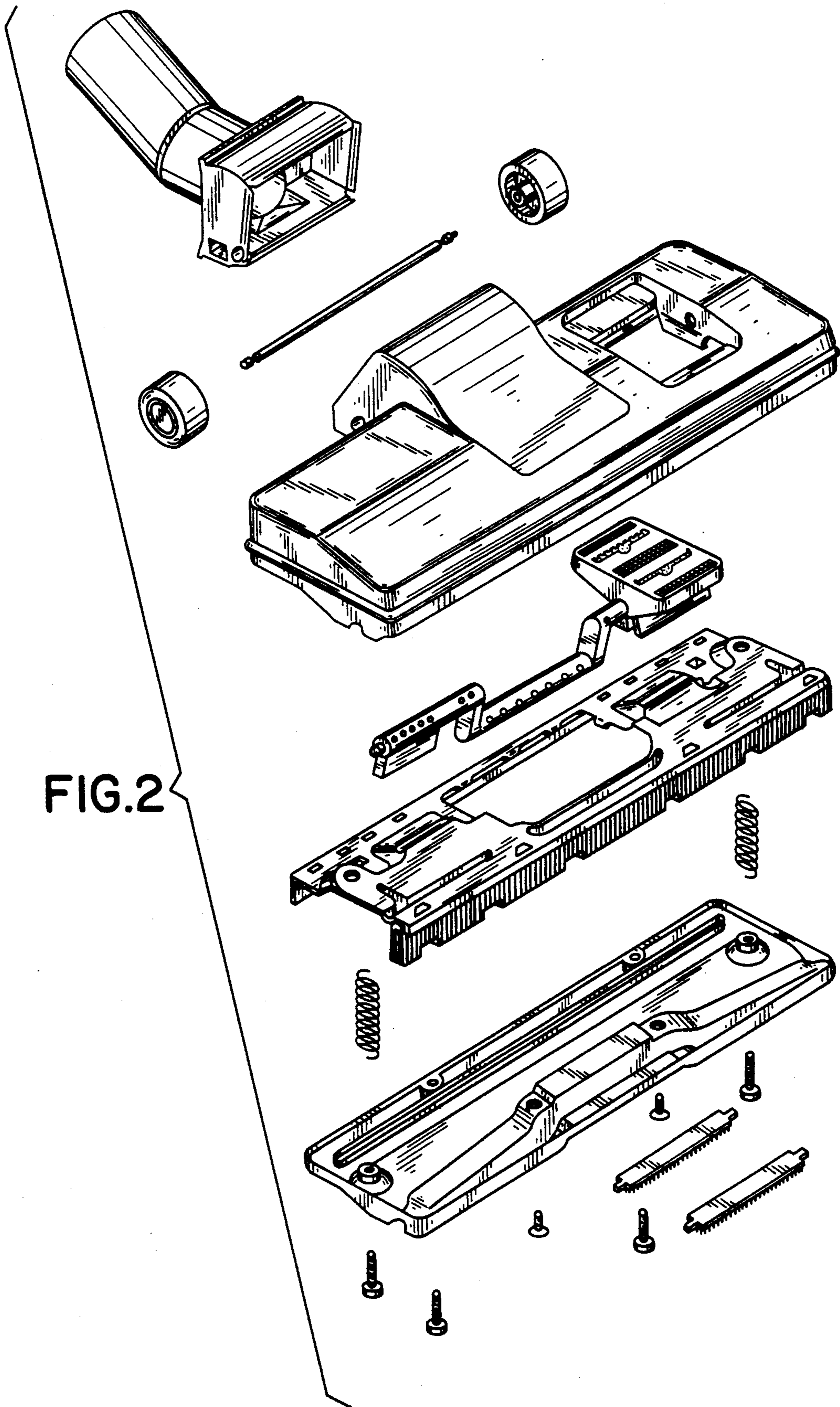


FIG. 1





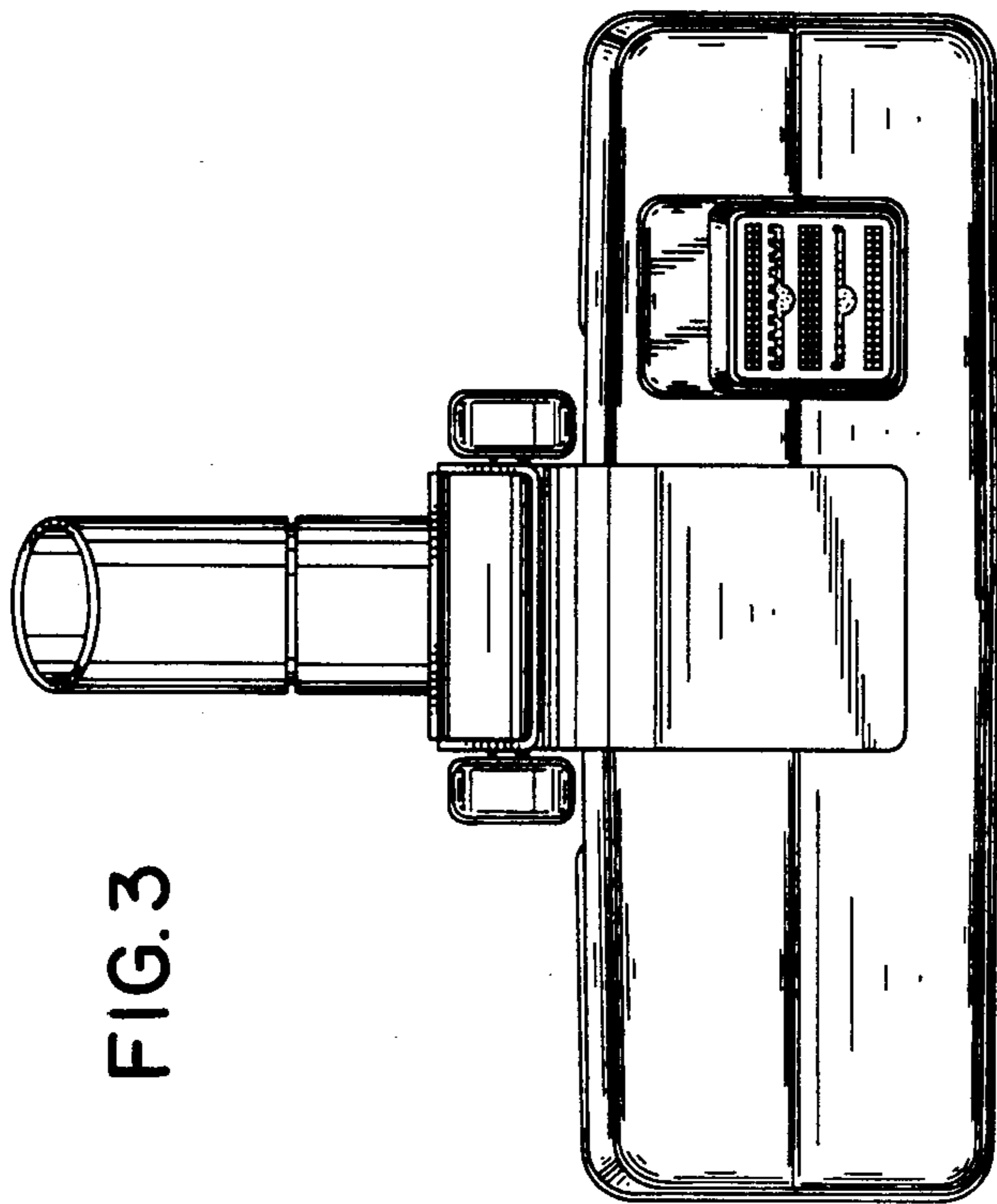


FIG. 3

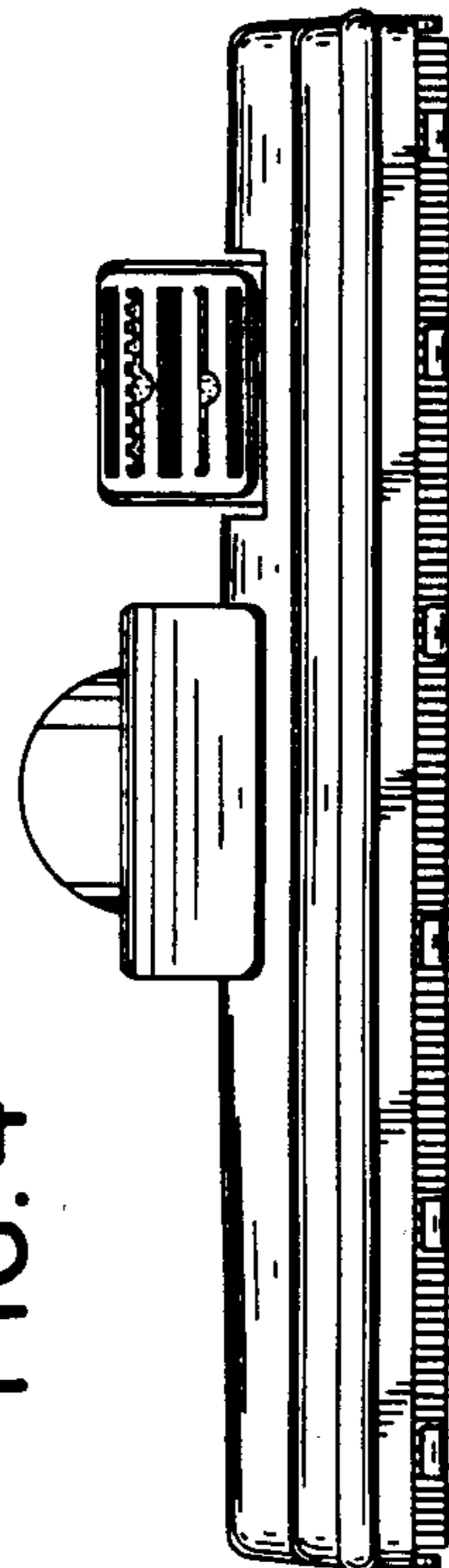


FIG. 4

FIG. 5

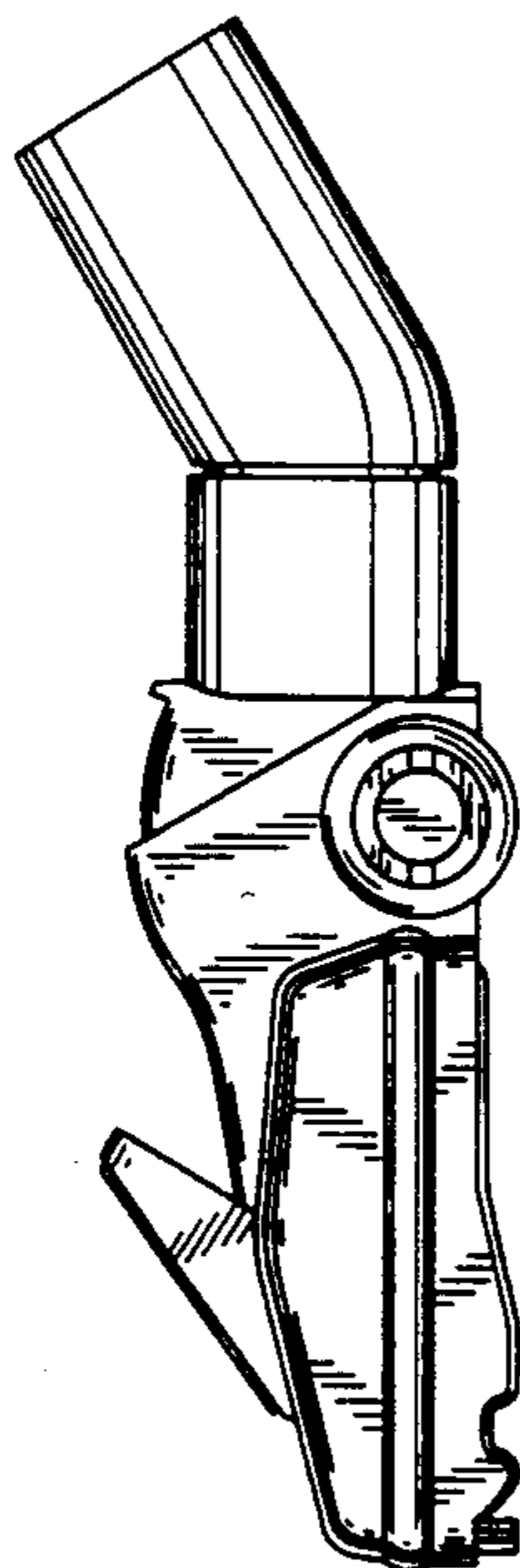


FIG. 6

