



US00D333021S

United States Patent [19]

[11] Patent Number: **Des. 333,021**

Breur

[45] Date of Patent: **** Feb. 2, 1993**

- [54] **SUCTION CLEANER NOZZLE**
- [75] Inventor: **Jacob Breur, Peize, Netherlands**
- [73] Assignee: **Wessel-Werk GmbH, Reichshof, Fed. Rep. of Germany**
- [**] Term: **14 Years**
- [21] Appl. No.: **402,142**
- [22] Filed: **Sep. 1, 1989**
- [52] U.S. Cl. **D32/32**
- [58] Field of Search **D32/31-33, D32/25, 22; 15/321-322, 378-402, 415.1, 416-422.1**

- D. 290,894 7/1987 Miyamoto et al. **D32/22**
- D. 295,092 4/1988 Mizuno et al. **D32/32**
- 3,069,186 12/1962 Stevens **15/400**

Primary Examiner—A. Hugo Word
Assistant Examiner—Ruth McInroy
Attorney, Agent, or Firm—Marmorek, Guttman & Rubenstein

[57] CLAIM

The ornamental design for a suction cleaner nozzle, as shown and described.

DESCRIPTION

FIG. 1 is a front perspective view of a suction cleaner nozzle showing my new design;
 FIG. 2 is an exploded perspective view thereof;
 FIG. 3 is a top plan view thereof, with the foot pedal in an alternate position;
 FIG. 4 is a front elevational view thereof;
 FIG. 5 is a side elevational view thereof; and,
 FIG. 6 is a rear elevational view thereof.

[56] **References Cited**
U.S. PATENT DOCUMENTS

- D. 161,681 1/1951 Dreyfuss **D32/33**
- D. 178,747 9/1956 Sason **D32/32**
- D. 280,033 8/1985 Miyamoto et al. **D32/22**

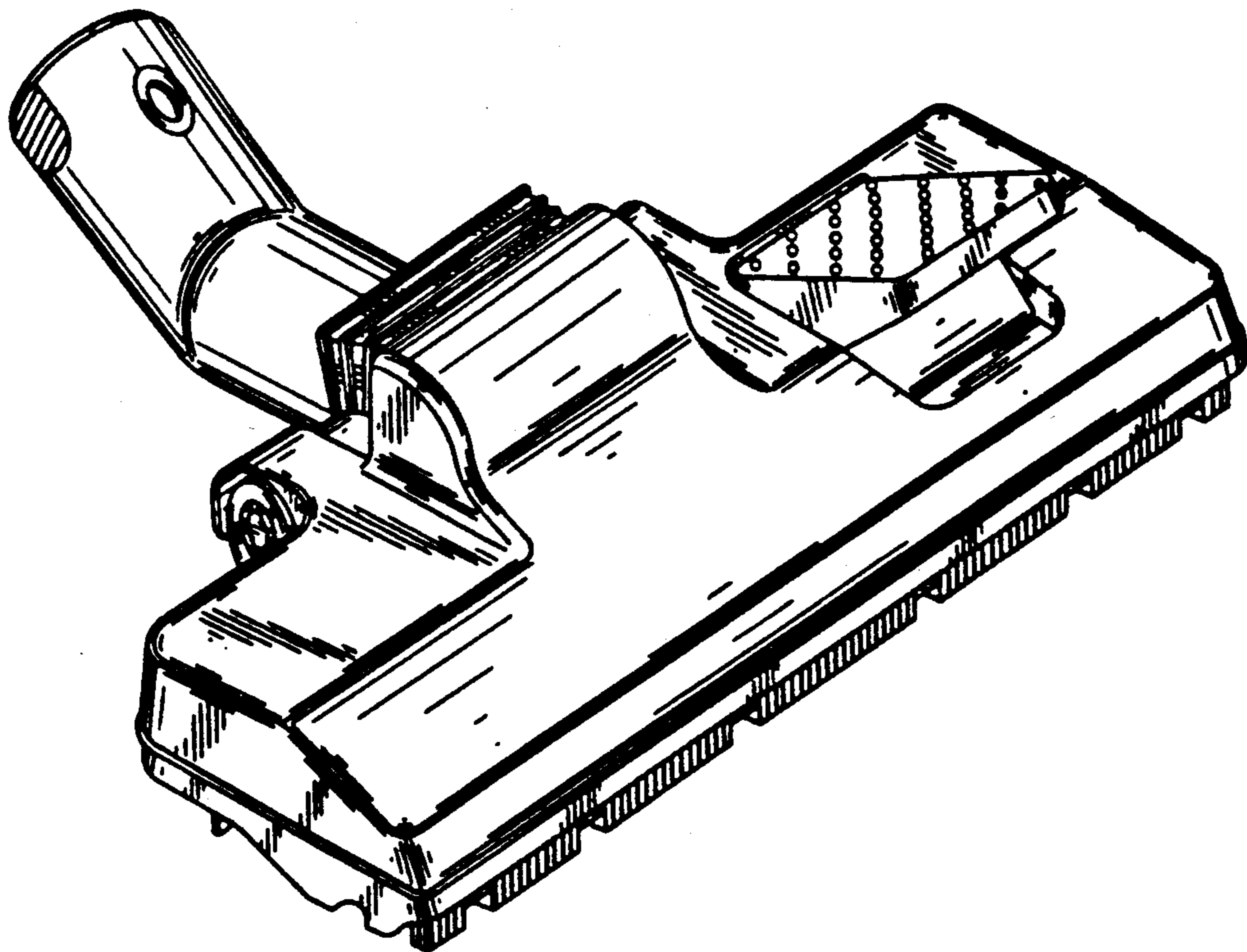
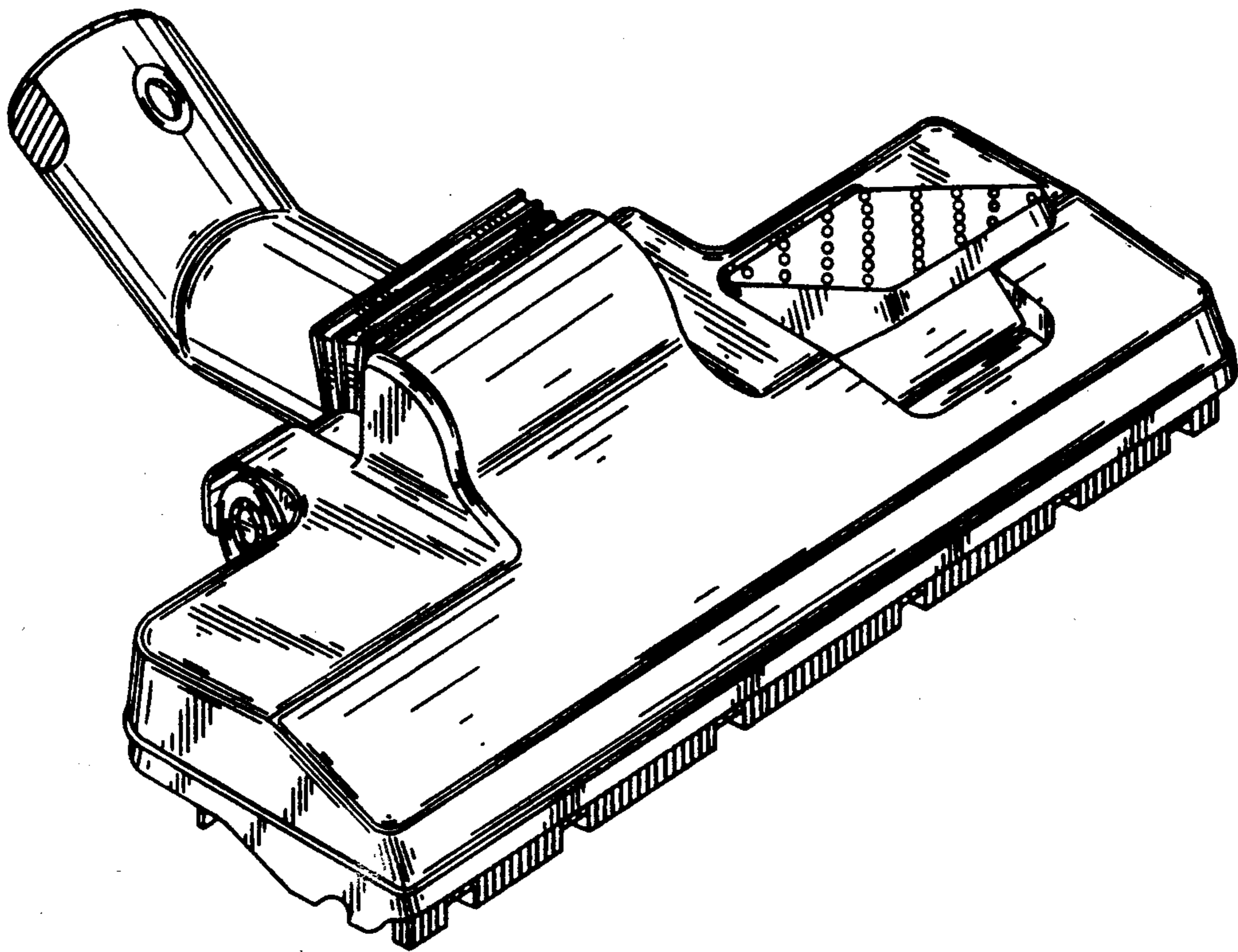


FIG. 1



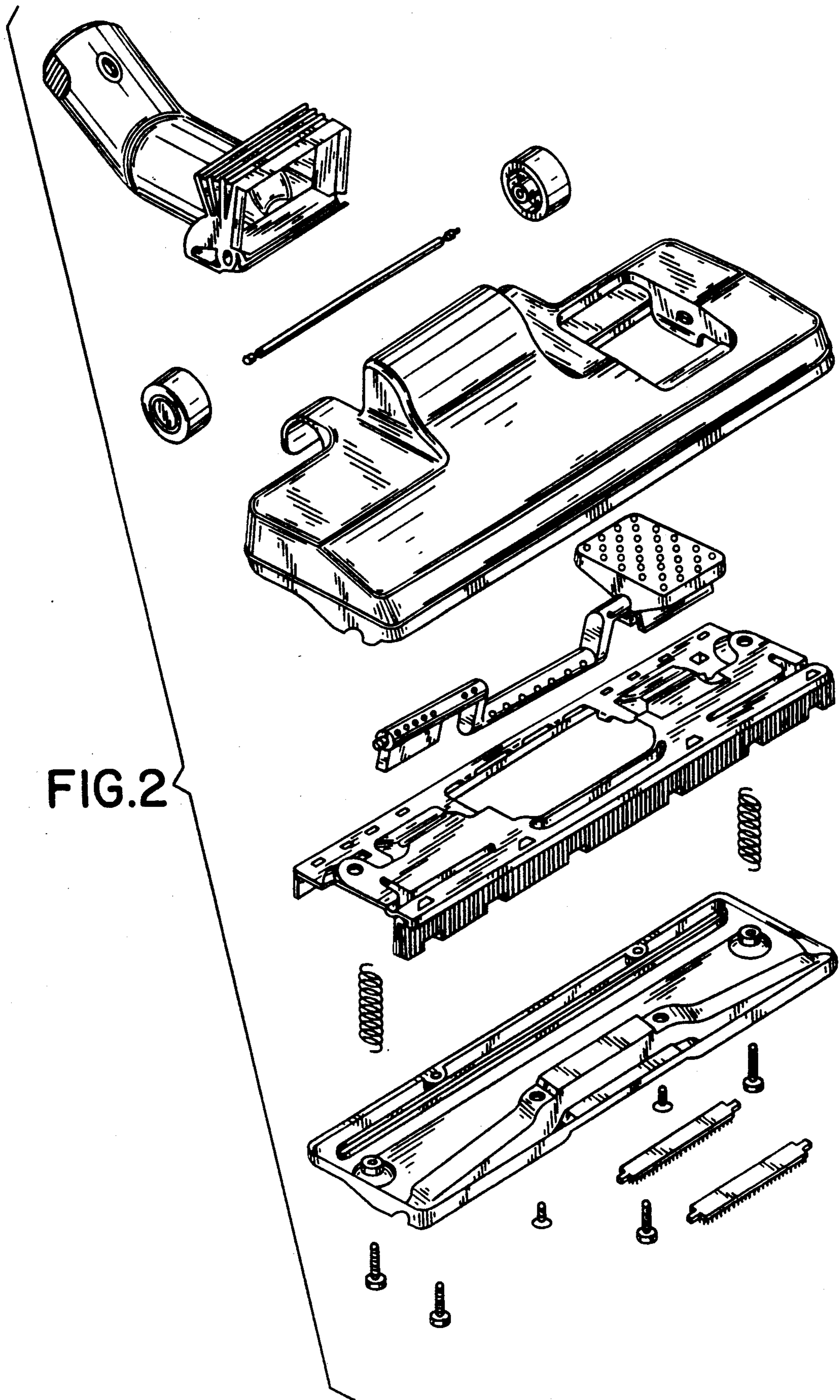


FIG. 3

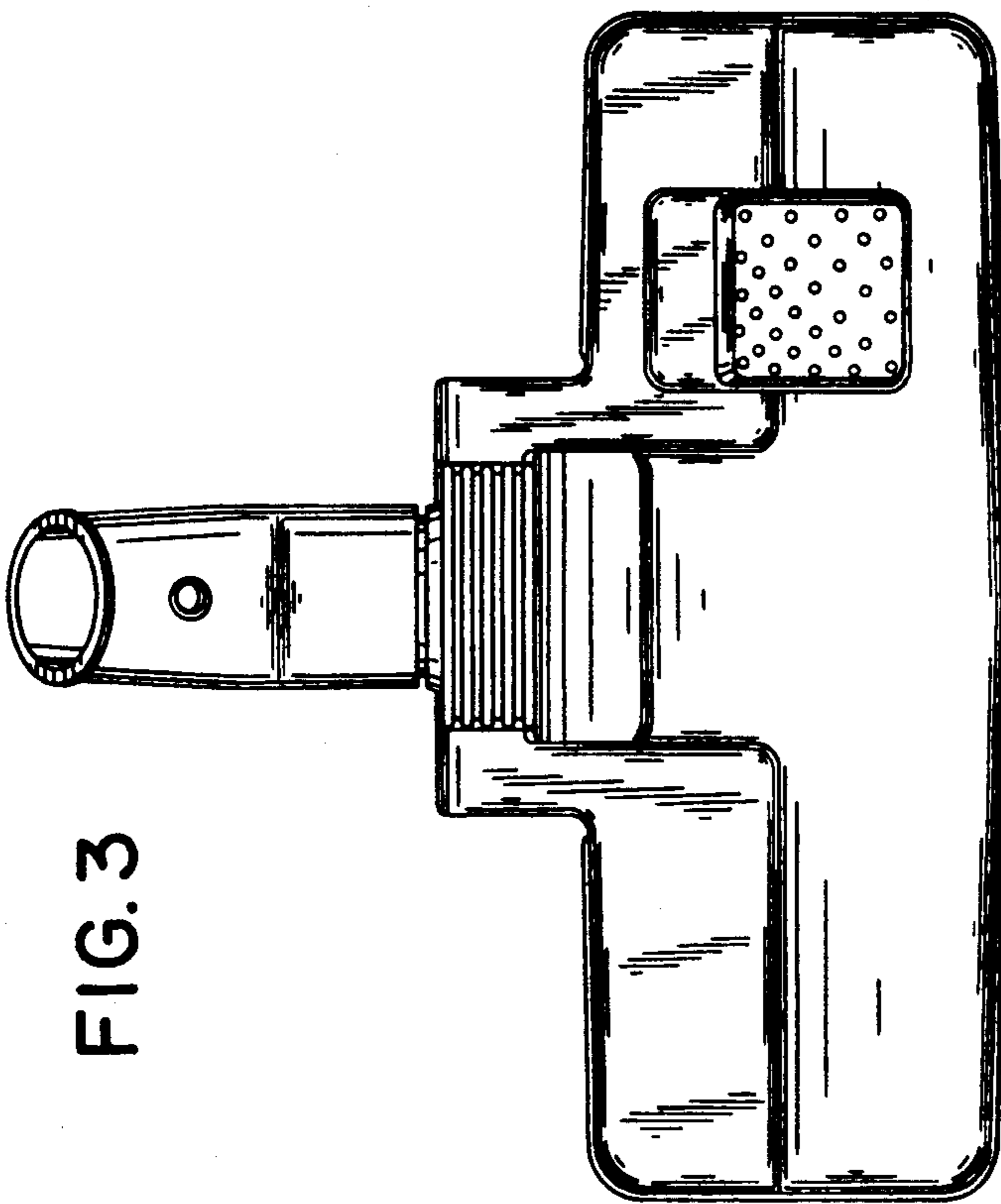


FIG. 5

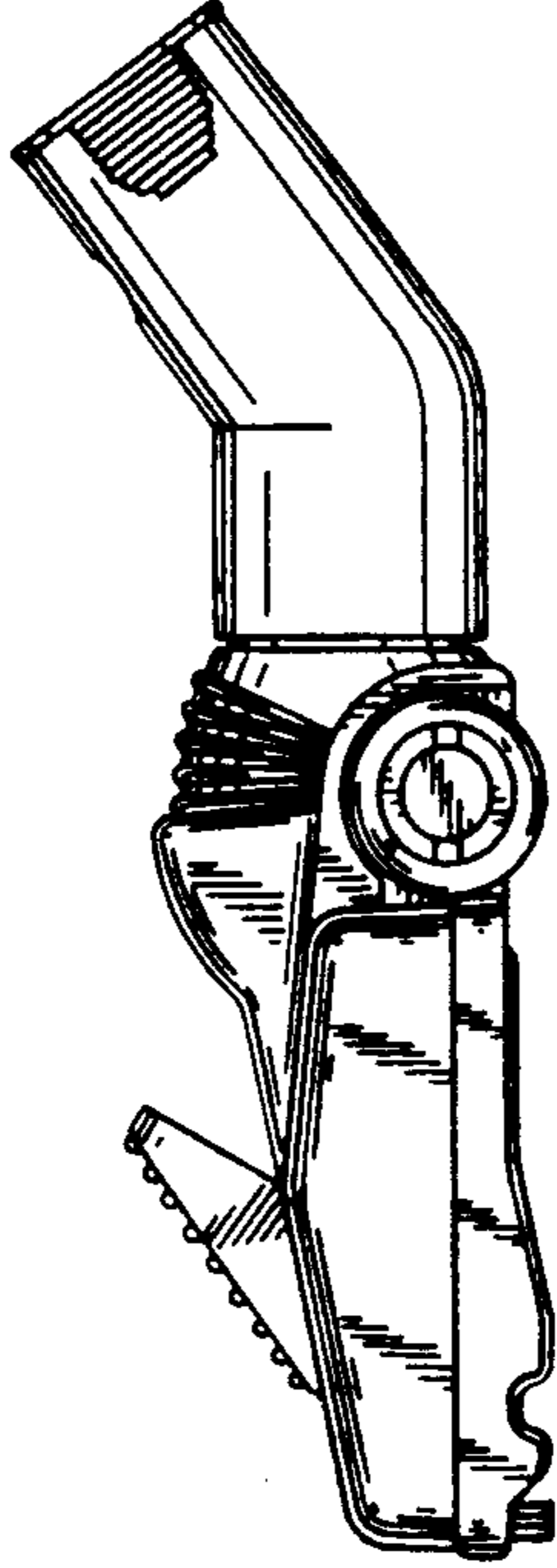


FIG. 6

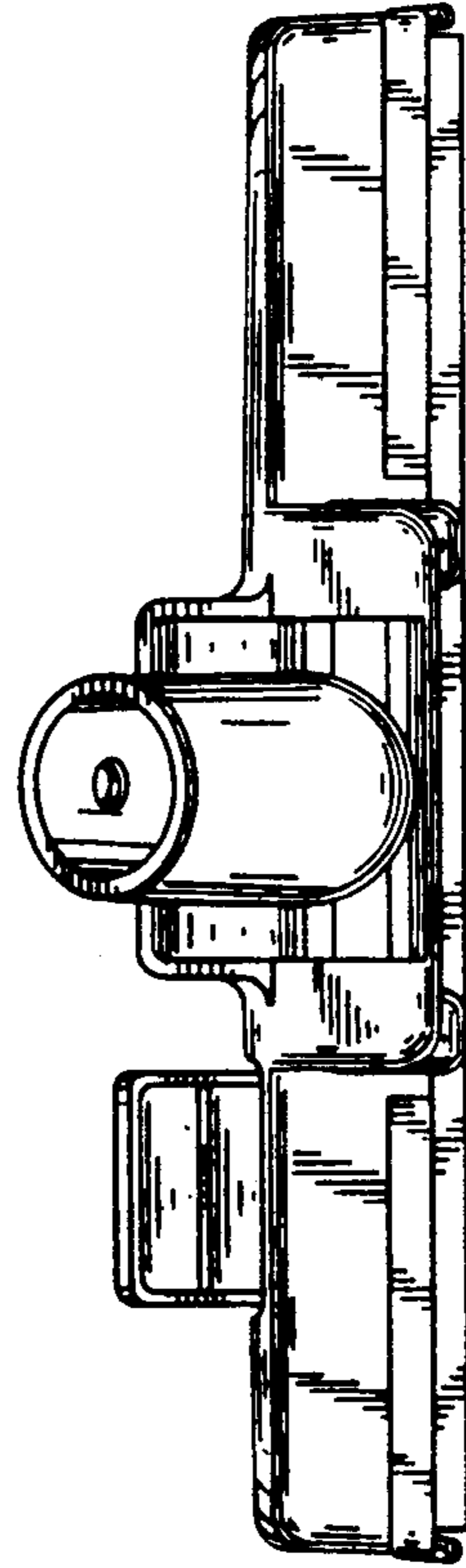


FIG. 4

